



US00D983987S

(12) **United States Design Patent** (10) **Patent No.:** **US D983,987 S**
Li (45) **Date of Patent:** **** Apr. 18, 2023**

(54) **MESSAGE APPLIANCE**

(71) Applicant: **Jiajun Li**, Xiamen (CN)

(72) Inventor: **Jiajun Li**, Xiamen (CN)

(**) Term: **15 Years**

(21) Appl. No.: **29/804,943**

(22) Filed: **Aug. 24, 2021**

(51) **LOC (14) Cl.** **24-01**

(52) **U.S. Cl.**
USPC **D24/215**

(58) **Field of Classification Search**
USPC D24/200, 211, 212, 213, 214, 215;
D30/160; D21/405, 406, 725, 727;
D17/10, 22, 99
CPC A61H 7/003; A61H 2201/0153; A61H
15/00; A61H 2015/0014; A61H 19/44;
A61H 39/04; A61H 2015/0042
See application file for complete search history.

(56) **References Cited**

U.S. PATENT DOCUMENTS

D357,984 S *	5/1995	Heck	D24/214
D381,754 S *	7/1997	Fani	D24/211
D385,965 S *	11/1997	Wallesen	D24/212
D398,402 S *	9/1998	Kirk	D24/214
D459,750 S *	7/2002	Cohen	D17/22
D530,822 S	10/2006	Inubushi		
D556,335 S *	11/2007	Hagege	D24/215
D669,590 S *	10/2012	Matsushita	D24/211
D693,476 S *	11/2013	Spietz	D24/215
D810,513 S *	2/2018	McCoy	D17/22
D848,010 S *	5/2019	Tai	D24/214
D852,973 S	7/2019	Yueh		
D863,588 S	10/2019	Yu		

D865,983 S *	11/2019	Huang	D24/211
D880,712 S *	4/2020	Tai	D24/214
D886,319 S	6/2020	Sugimoto		
D906,534 S	12/2020	Li		
D906,535 S *	12/2020	Li	D24/215
D922,774 S *	6/2021	Tai	D4/137
D941,485 S *	1/2022	Wu	D24/215
D949,424 S *	4/2022	Li	D24/215
2017/0095689 A1 *	4/2017	Weck	A63B 21/0603

OTHER PUBLICATIONS

Amazon, "ONUEMP Wooden Massager Roller", Aug. 18, 2021.
https://www.amazon.com/ONUEMP-Maderoterapia-Colombiana-Lymphatic-Contouring/dp/B09CYV71W/ref=cm_cr_ar_p_d_product_top?ie=UTF8. Shown on pp. 1 and 2. (Year: 2021).*

* cited by examiner

Primary Examiner — Michael A Maharajh
(74) *Attorney, Agent, or Firm* — Runit Ranjit Kanakia

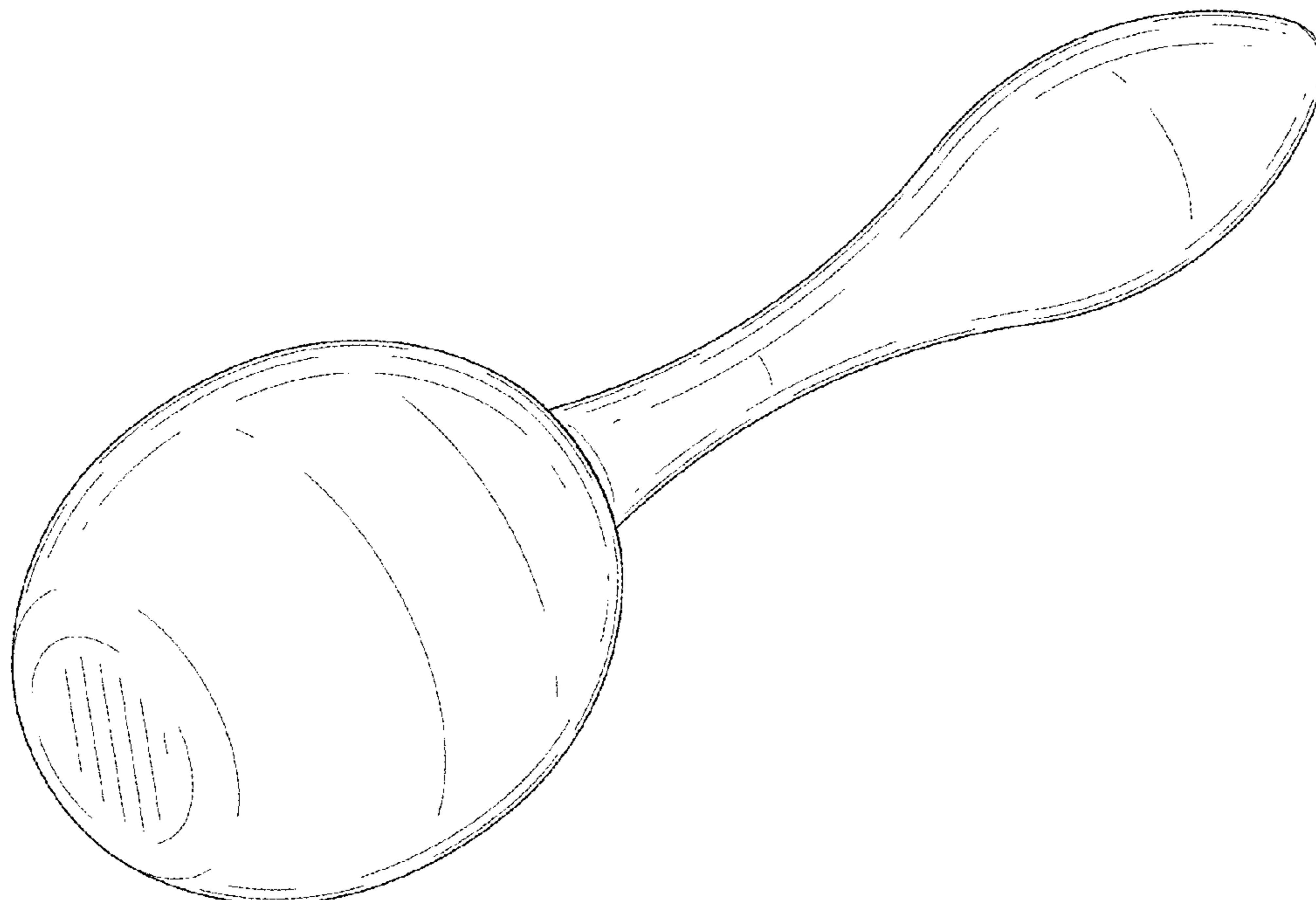
(57) **CLAIM**

I claim the ornamental design for a massage appliance, as shown and described.

DESCRIPTION

FIG. 1 is a Perspective view of a massage appliance showing my new design;
FIG. 2 is a Front view thereof;
FIG. 3 is a Back view thereof;
FIG. 4 is a Left-side view thereof;
FIG. 5 is a Right-side view thereof;
FIG. 6 is a Top view thereof; and,
FIG. 7 is a Bottom view thereof.

1 Claim, 6 Drawing Sheets



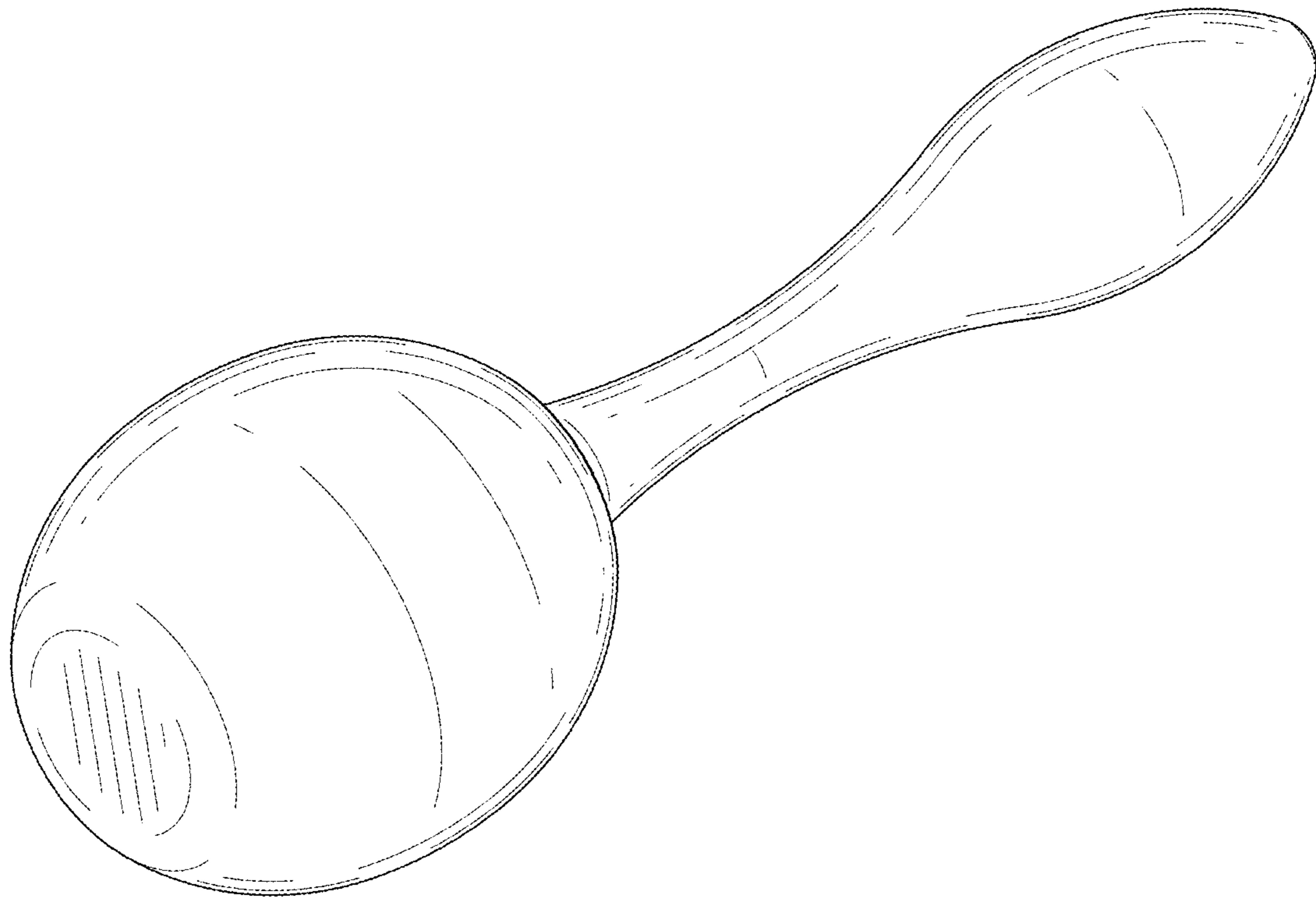


FIG. 1

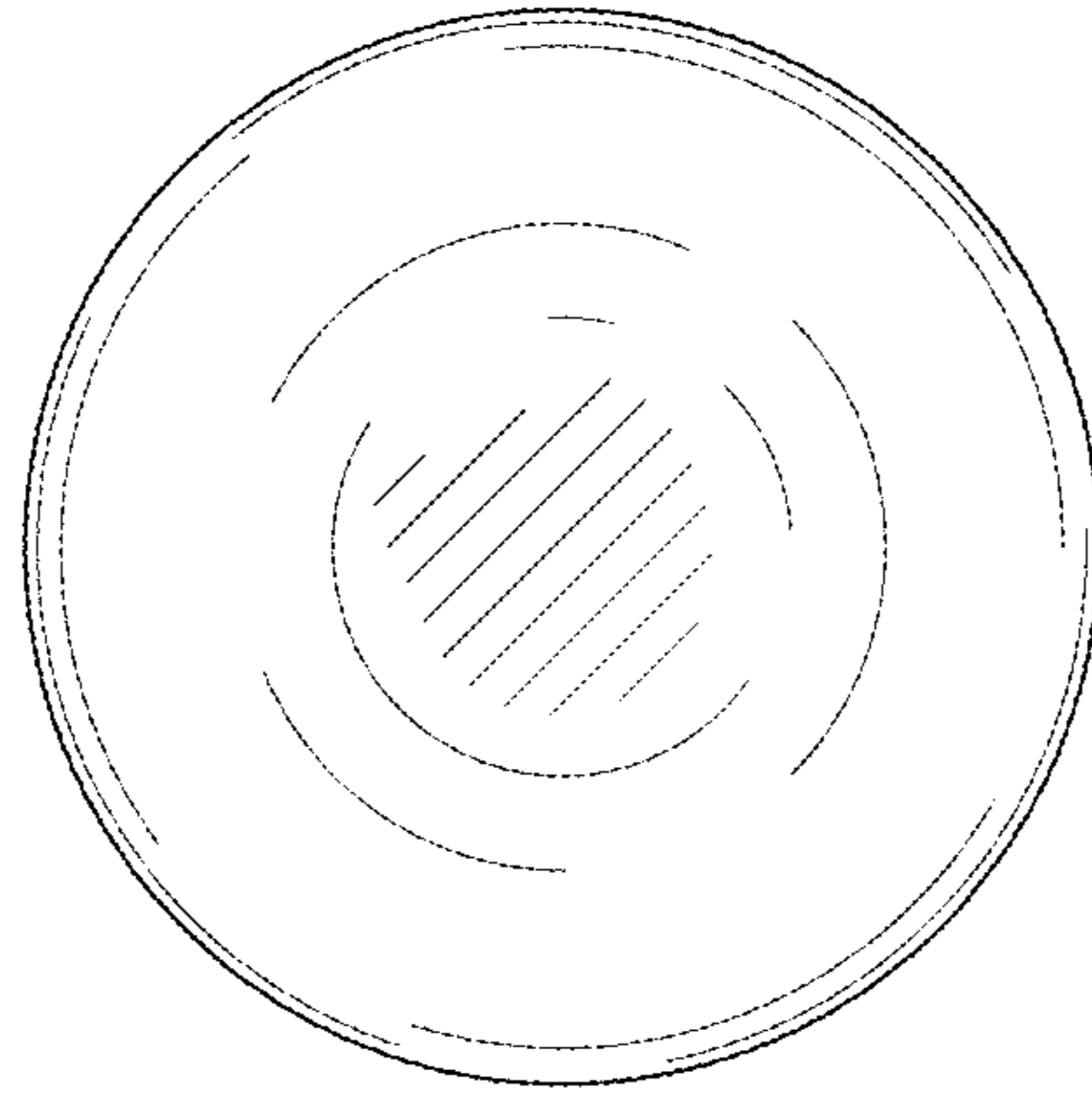


FIG. 2

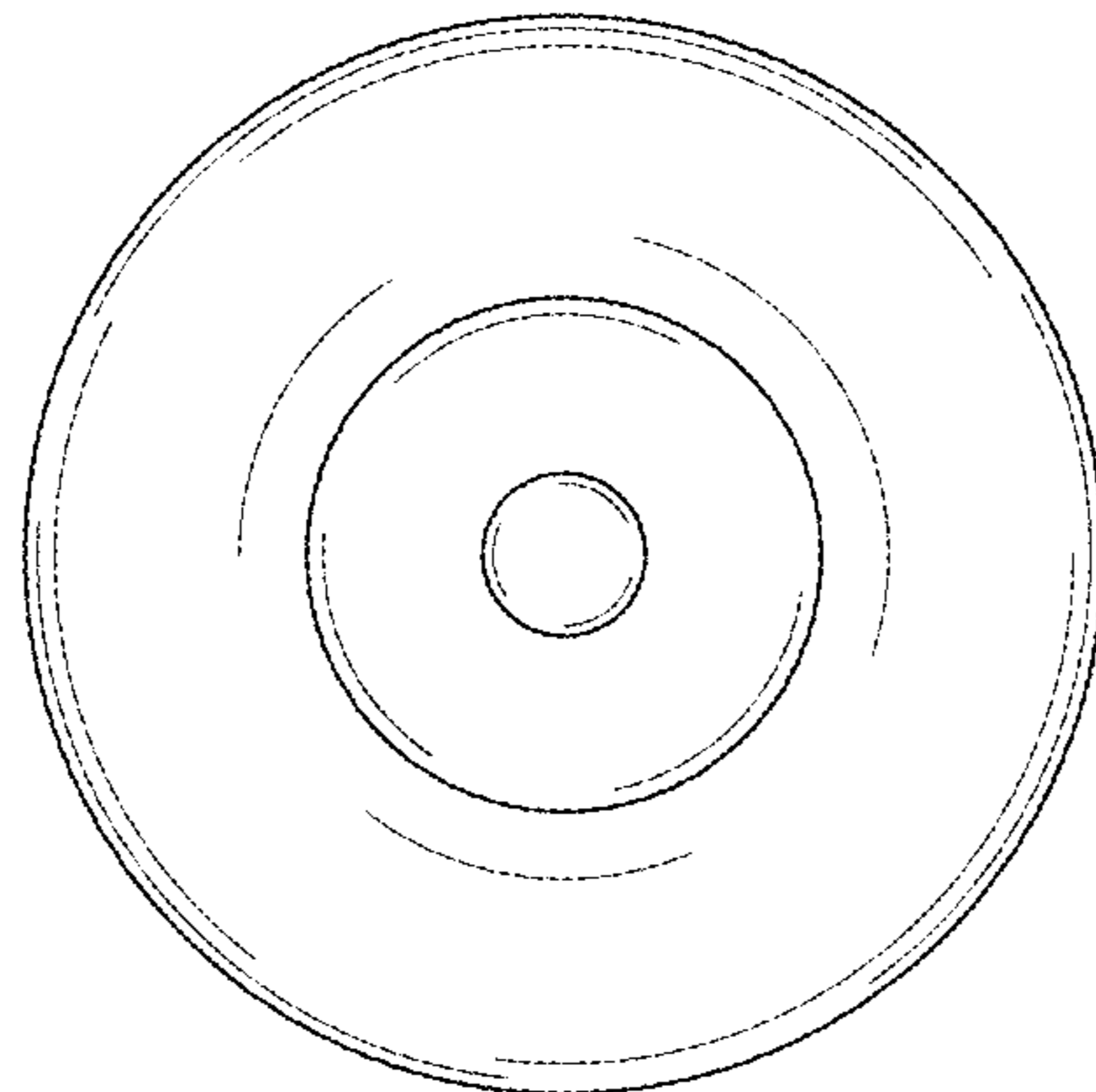


FIG. 3

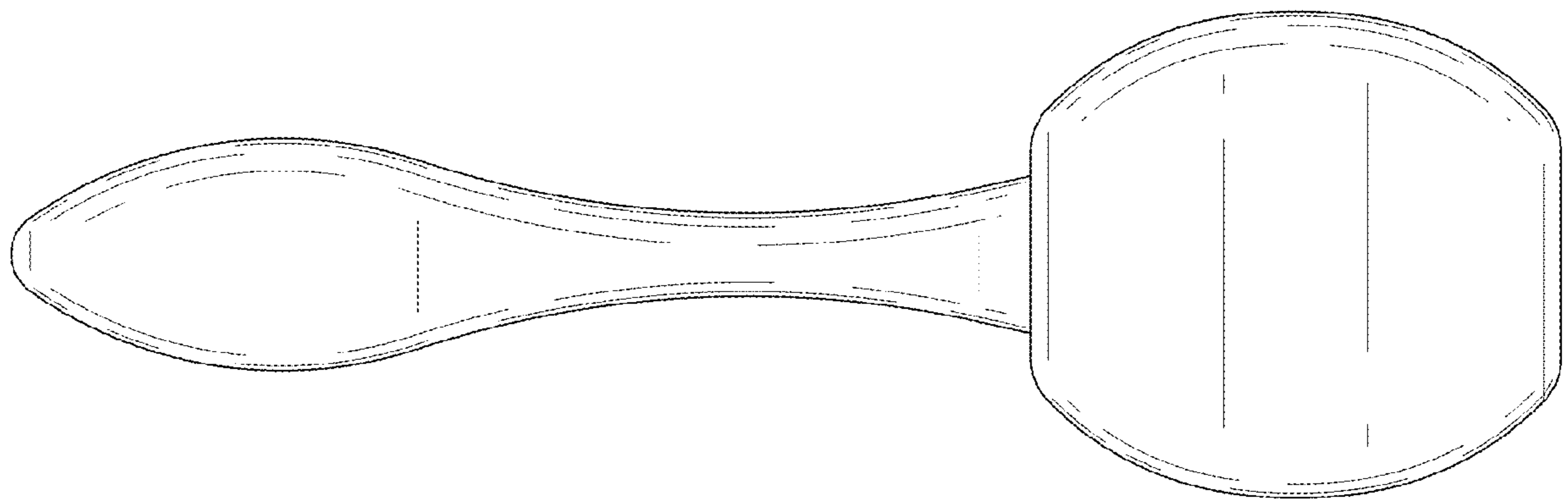


FIG. 4

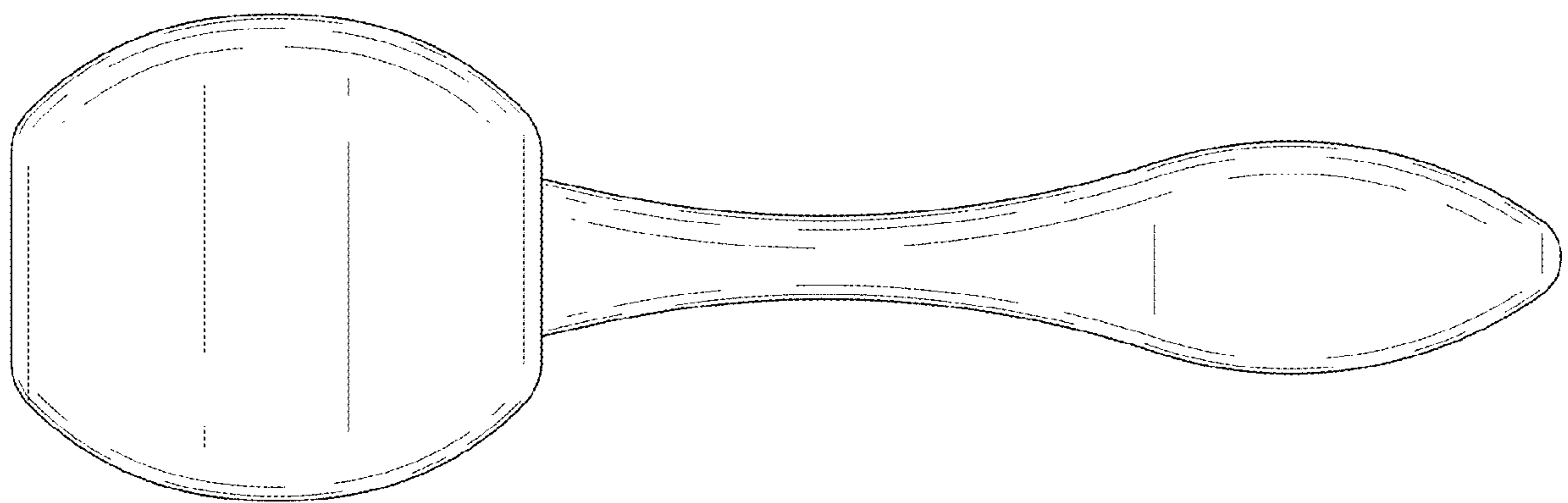


FIG. 5

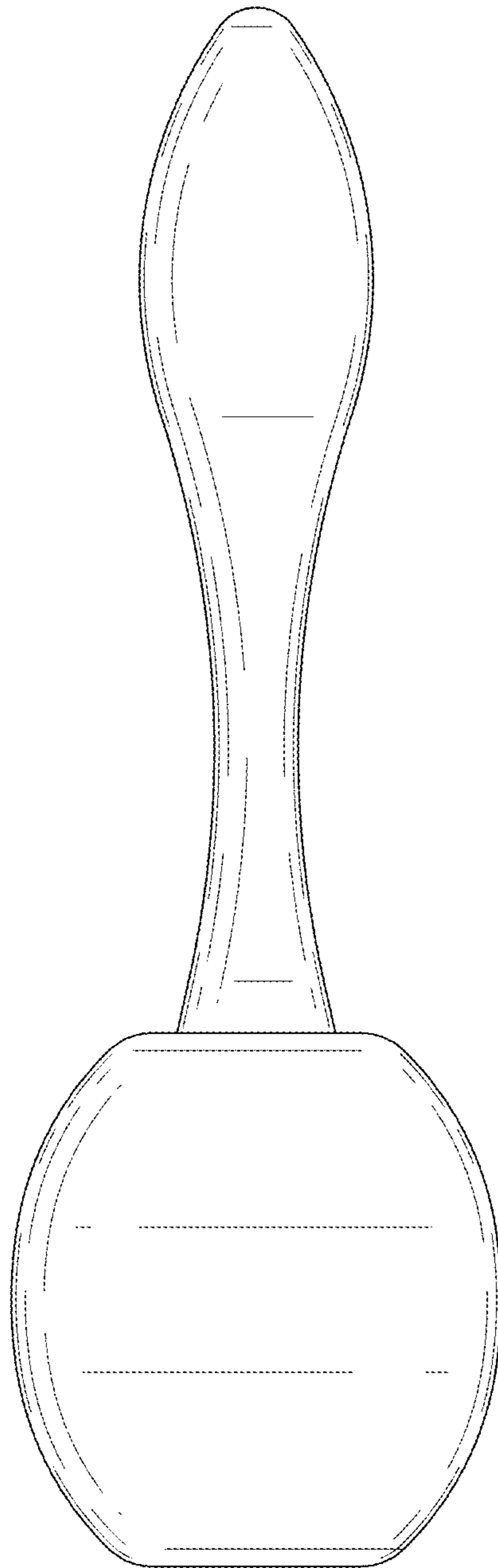


FIG. 6

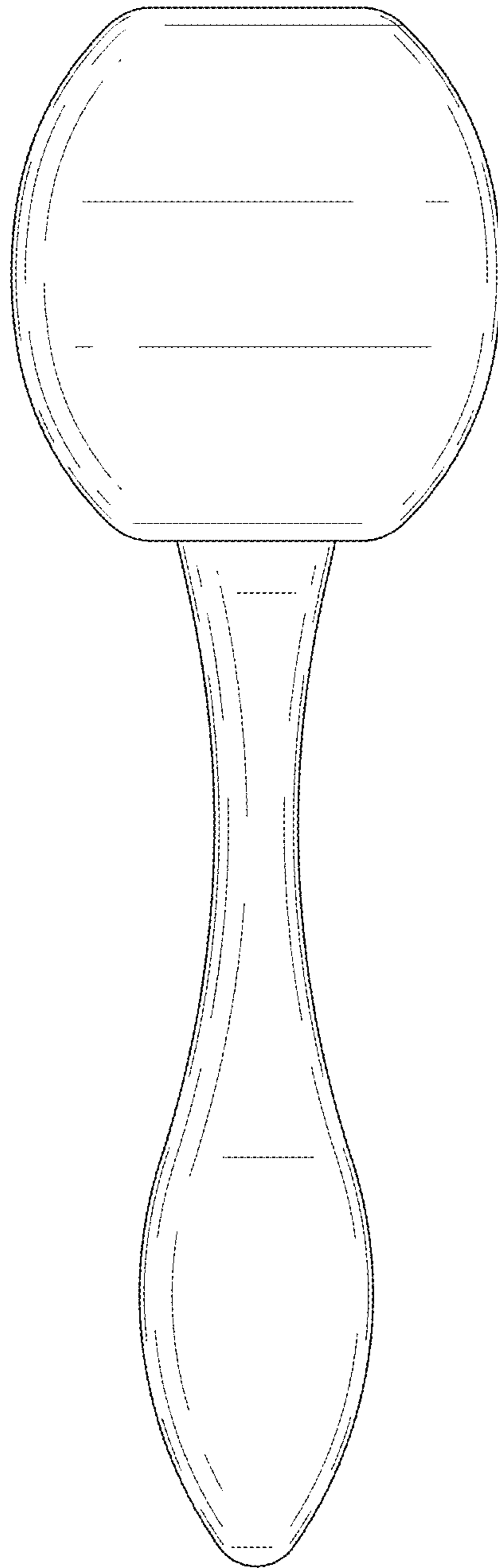


FIG. 7