



US00D983985S

(12) **United States Design Patent**
Oh

(10) **Patent No.: US D983,985 S**

(45) **Date of Patent: ** Apr. 18, 2023**

(54) **MUSCLE MASSAGER**

(71) Applicant: **Hwan Kyung Oh**, Yongin-si (KR)

(72) Inventor: **Hwan Kyung Oh**, Yongin-si (KR)

(**) Term: **15 Years**

(21) Appl. No.: **29/746,002**

(22) Filed: **Aug. 11, 2020**

(51) **LOC (14) Cl.** **28-03**

(52) **U.S. Cl.**

USPC **D24/215**

(58) **Field of Classification Search**

USPC D24/215, 200, 211, 212, 213, 214, 133,
D24/107, 231, 146, 147

CPC A61H 7/00; A61H 7/003; A61H 15/00;
A61H 23/00; A61H 23/006; A61H
2201/0153; A61H 7/004; A61H 7/005;
A61H 9/00

See application file for complete search history.

(56) **References Cited**

U.S. PATENT DOCUMENTS

D387,174	S	*	12/1997	Gladieux, Jr.	D24/214
D754,360	S	*	4/2016	Stock	D24/214
D792,600	S	*	7/2017	van den Dries	D24/215
D792,601	S	*	7/2017	van den Dries	D24/215
D827,848	S	*	9/2018	Iwagami	D24/215
D865,988	S	*	11/2019	Pudhnum	D24/214
D884,912	S	*	5/2020	Oh	D24/215
D890,940	S	*	7/2020	Shin	D24/200
D895,131	S	*	9/2020	Liu	D24/214
D908,906	S	*	1/2021	Braden	D24/215
2017/0340509	A1	*	11/2017	van den Dries	B29C 45/14
2020/0289161	A1	*	9/2020	Scoros	A61F 7/007

OTHER PUBLICATIONS

Sonew—Microcurrent Fascia Massage Instrument. Date: Mar. 6, 2020. [online]. [Site visited Sep. 22, 2022]. Available from Internet URL: <https://www.amazon.com/dp/B085L998X4> (Year: 2020).
Massagers. (Design—© Questel) orbit.com. [Online PDF compilation of references] 18 pgs. Print Dates Range Oct. 30, 2019-Apr. 30, 2020 [Retrieved Sep. 22, 2022] <https://www.orbit.com/export/UCZAH96B/pdf4/80c9d533-191e-43d9-b622-eb71b6bc00da-191905.pdf> (Year: 2022).*

* cited by examiner

Primary Examiner — Eliza Z Harvey

Assistant Examiner — Landon Thomas Cassell

(74) *Attorney, Agent, or Firm* — Sughrue Mion, PLLC

(57) **CLAIM**

The ornamental design for an muscle massager, as shown and described.

DESCRIPTION

FIG. 1 is a perspective view of a muscle massager, showing my new design;

FIG. 2 is a front view thereof;

FIG. 3 is a rear view thereof;

FIG. 4 is a left side view thereof;

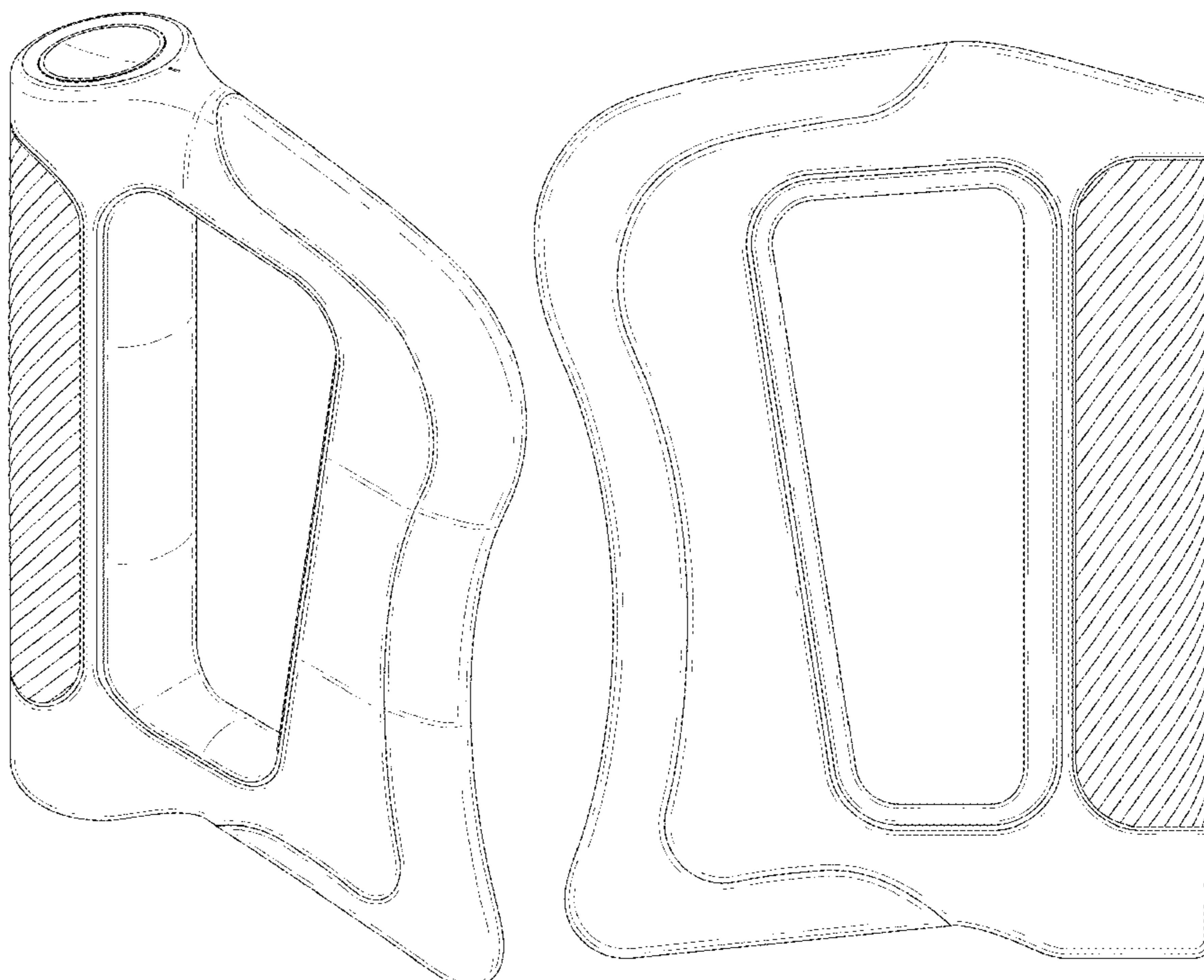
FIG. 5 is a right side view thereof;

FIG. 6 is a top view thereof; and,

FIG. 7 is a bottom view thereof.

The broken lines shown in the drawings depict portions of the muscle massager that form no part of the claimed design.

1 Claim, 7 Drawing Sheets



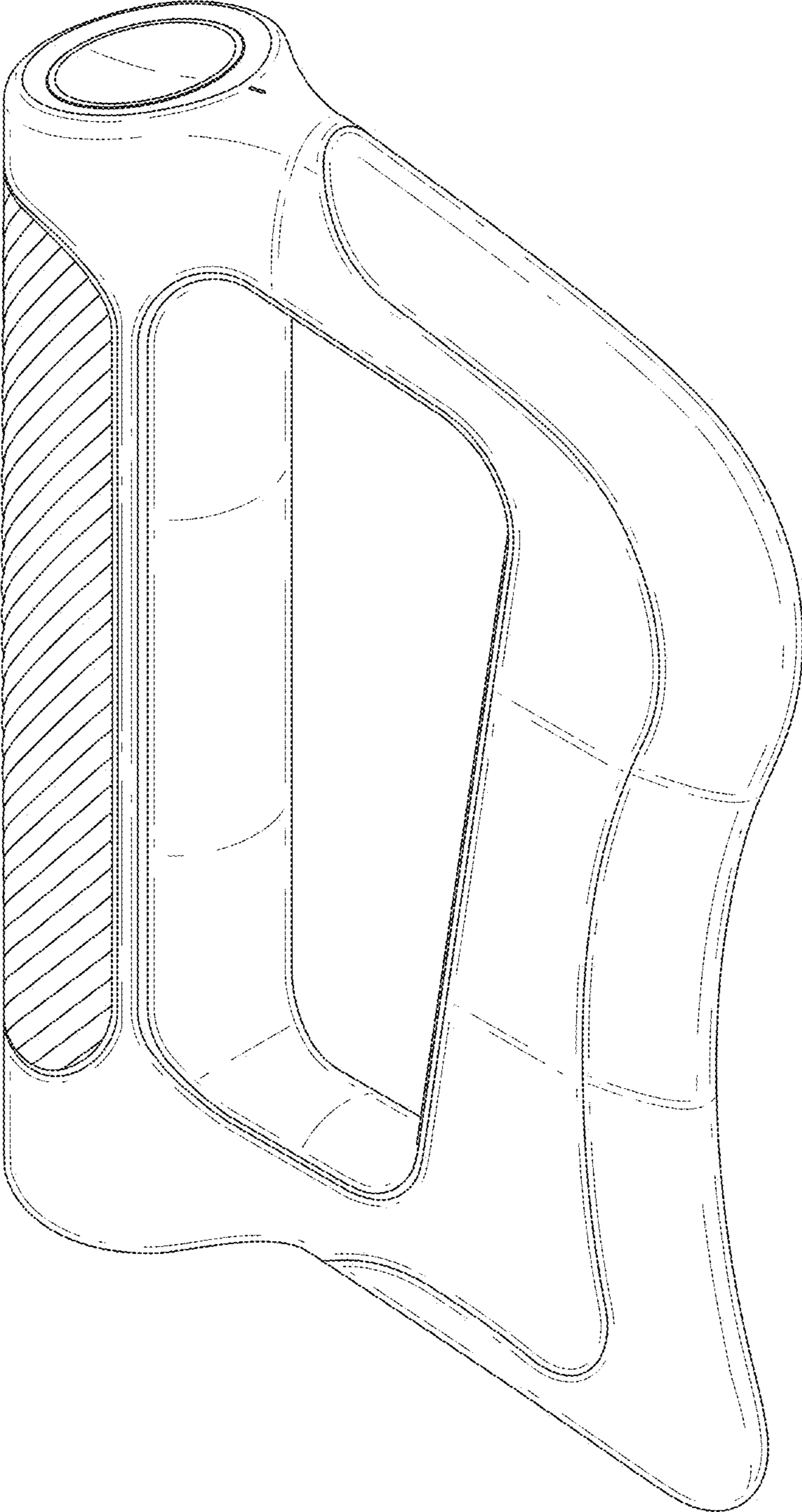


FIG. 1

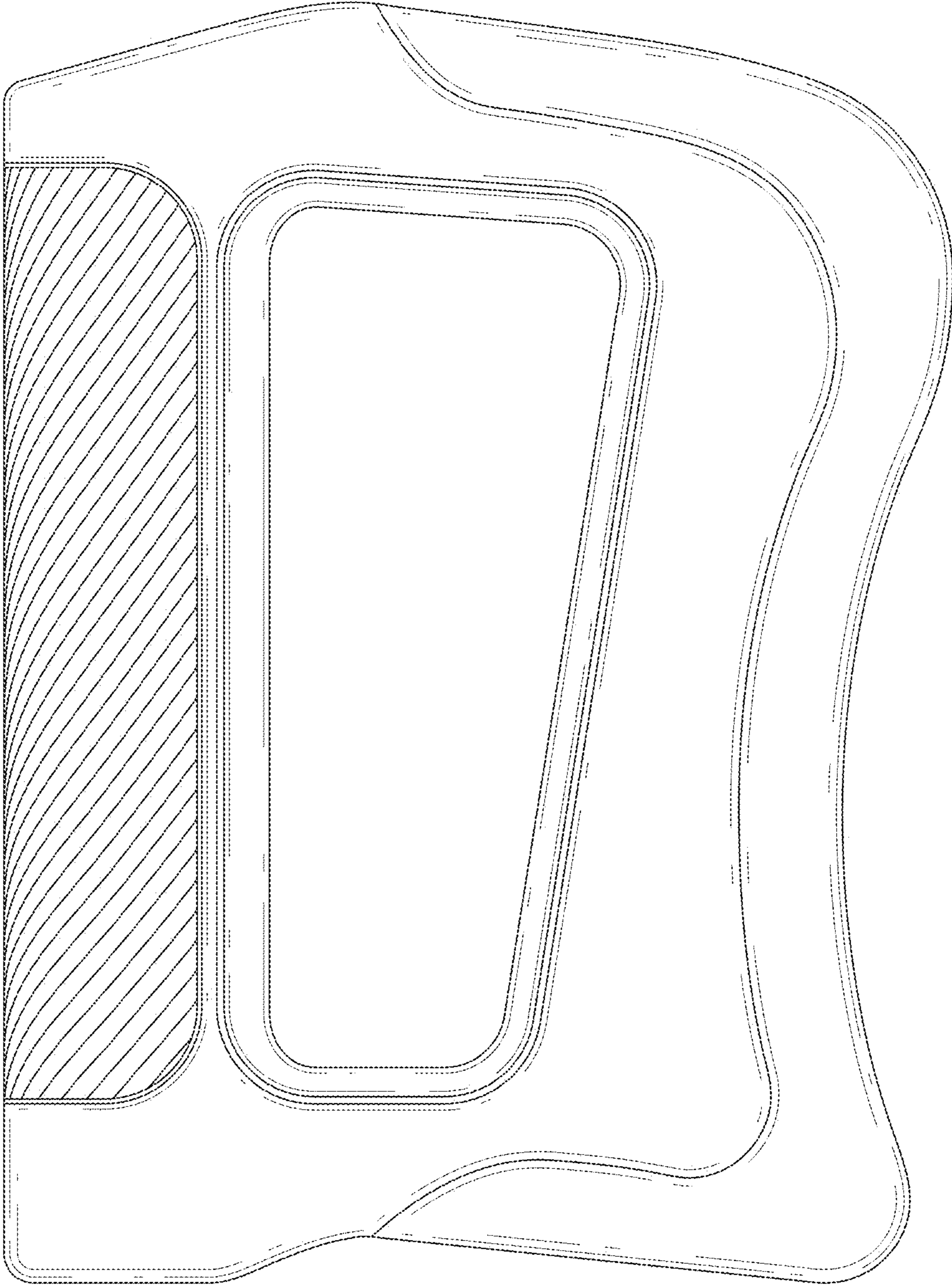


FIG. 2

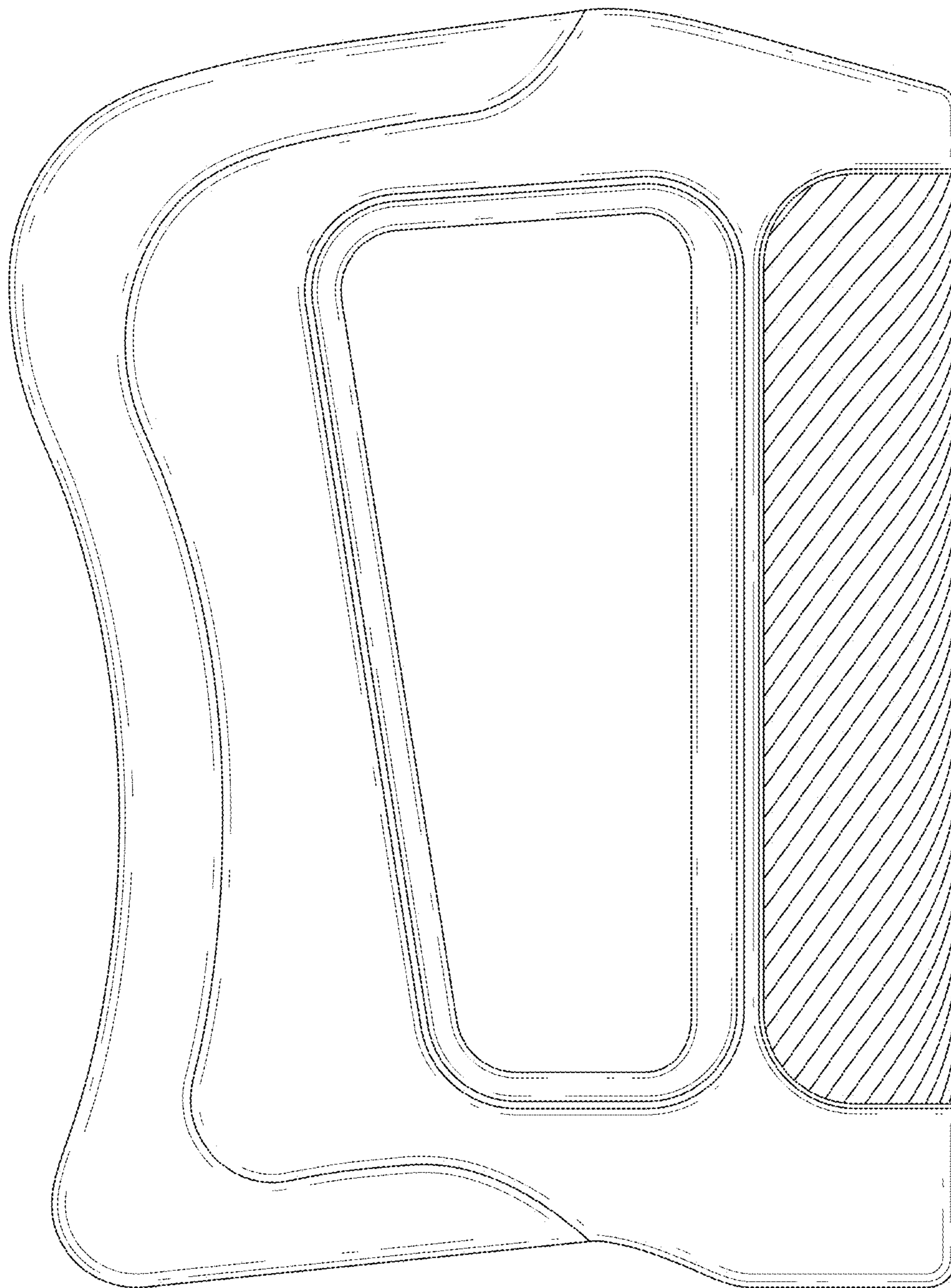


FIG. 3

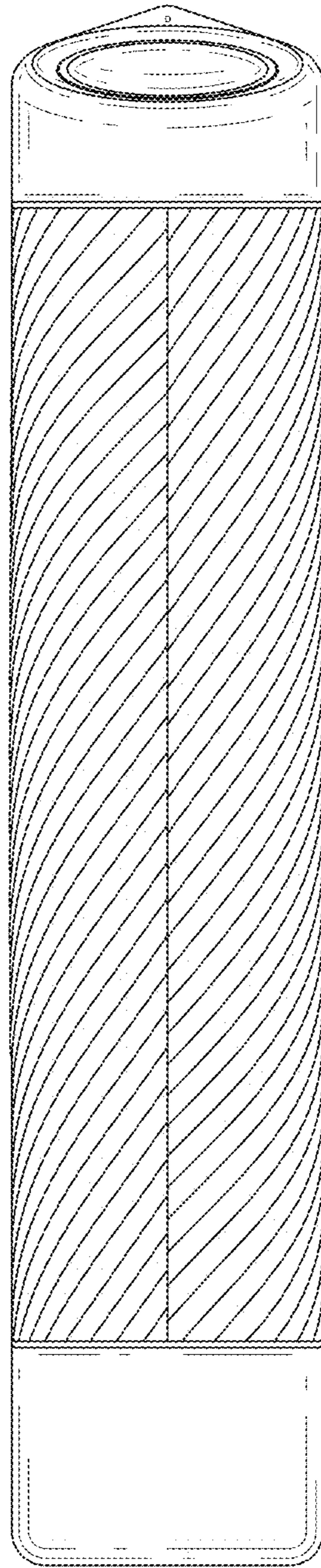


FIG. 4

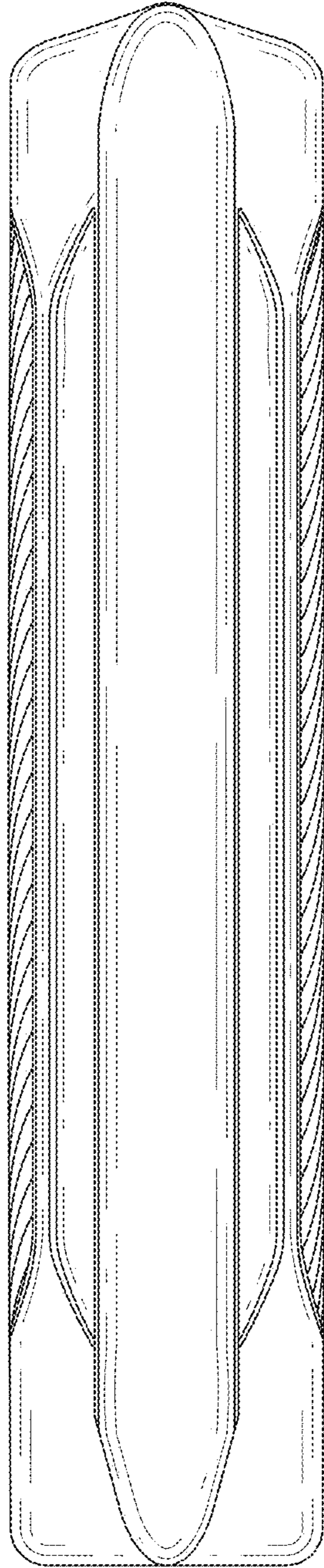


FIG. 5

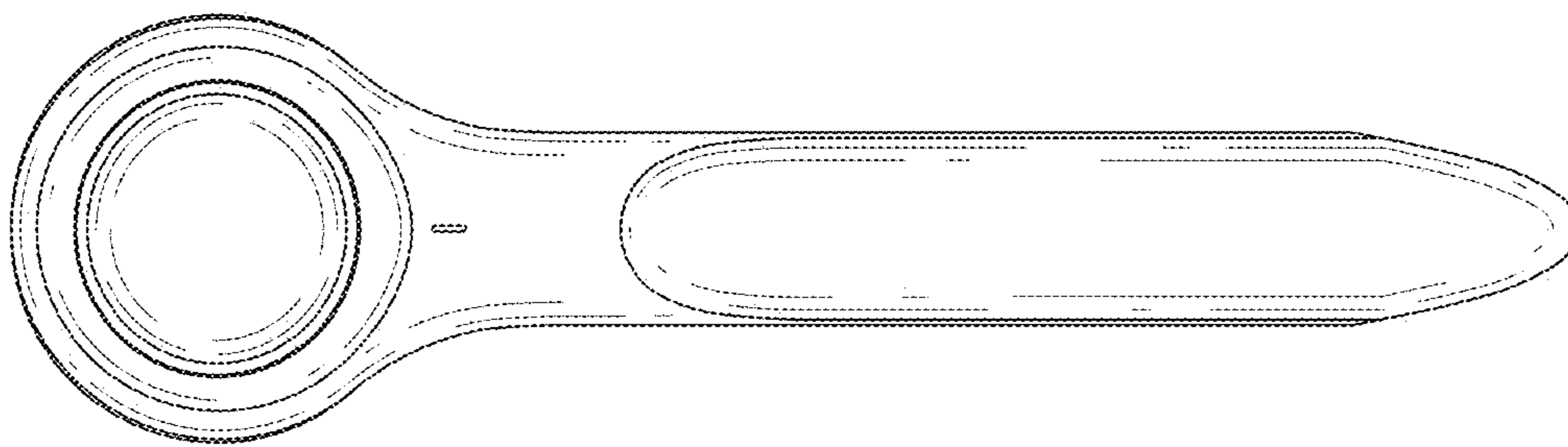


FIG. 6

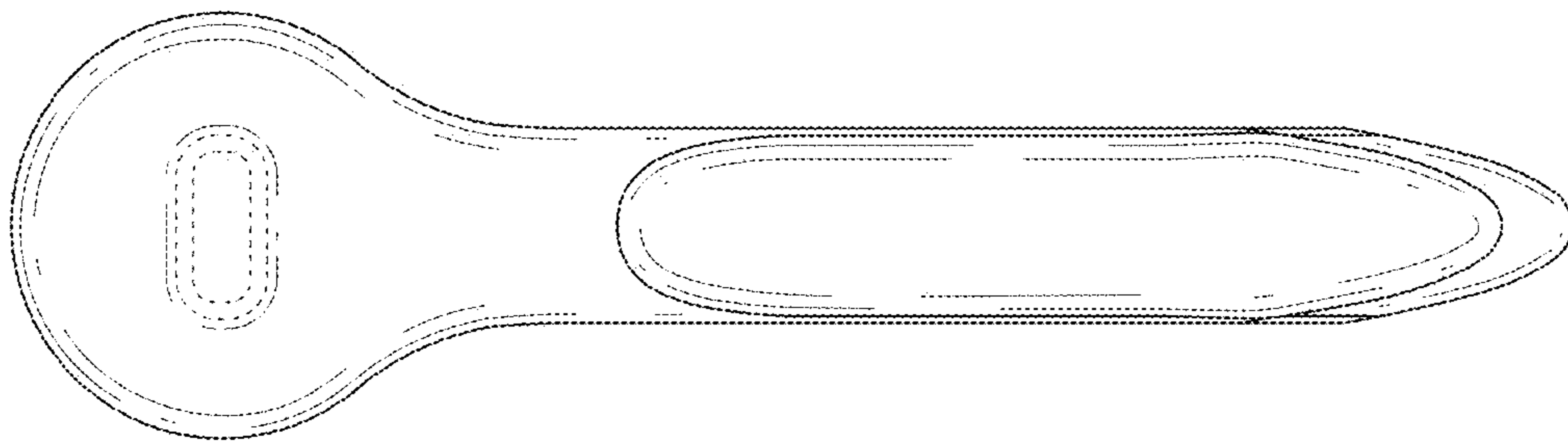


FIG. 7