



US00D983984S

(12) **United States Design Patent** (10) **Patent No.:** **US D983,984 S**
Sun (45) **Date of Patent:** **** Apr. 18, 2023**

(54) **WARM BELT**

(71) Applicant: **HANGZHOU YINGYI TECHNOLOGY CO., LTD.**, Hangzhou (CN)

(72) Inventor: **Li Sun**, Hangzhou (CN)

(73) Assignee: **HANGZHOU YINGYI TECHNOLOGY CO., LTD.**, Hangzhou (CN)

(**) Term: **15 Years**

(21) Appl. No.: **29/803,889**

(22) Filed: **Aug. 17, 2021**

(30) **Foreign Application Priority Data**

Apr. 22, 2021 (CN) 202130232168.6

(51) **LOC (14) Cl.** **24-01**

(52) **U.S. Cl.**
USPC **D24/206**

(58) **Field of Classification Search**
USPC D24/124, 125, 126, 208, 200, 206;
D3/901; D14/218, 341, 346, 356;
D13/103, 108
CPC A61H 2205/062; A61H 2201/1604; A61H
2201/165
See application file for complete search history.

(56) **References Cited**

U.S. PATENT DOCUMENTS

- 2,497,443 A * 2/1950 Eatman A61F 7/08
607/108
- 2,547,886 A * 4/1951 Poux A61F 7/02
D24/206
- D354,489 S * 1/1995 Patton D14/218
- D372,098 S * 7/1996 Lattin D24/189
- D420,006 S * 2/2000 Tonino D14/218
- D422,699 S * 4/2000 Weatherholt D24/189

- D597,211 S * 7/2009 Ewing D24/187
- D733,899 S * 7/2015 Ferguson D24/200
- D797,949 S * 9/2017 Carreon D24/200
- D864,110 S * 10/2019 Yoshimura D3/294
- D868,271 S 11/2019 Coughlan
- D870,300 S * 12/2019 Hsieh D24/200
- D878,617 S * 3/2020 Zhu D24/206
- D901,027 S * 11/2020 Luo D24/206

(Continued)

FOREIGN PATENT DOCUMENTS

- CN 305029297 * 2/2019
- JP D1301729 * 5/2007

OTHER PUBLICATIONS

Customer reviews_ Amirce Menstrual Heating Pad, Amazon.com, reviewed May 6, 2020, date retrieved Jul. 21, 2022—29803889—<https://amzn.to/3aTLqIP> (Year: 2020).*

(Continued)

Primary Examiner — Nicole C Shiflet
Assistant Examiner — Danielle Nichole Bowly

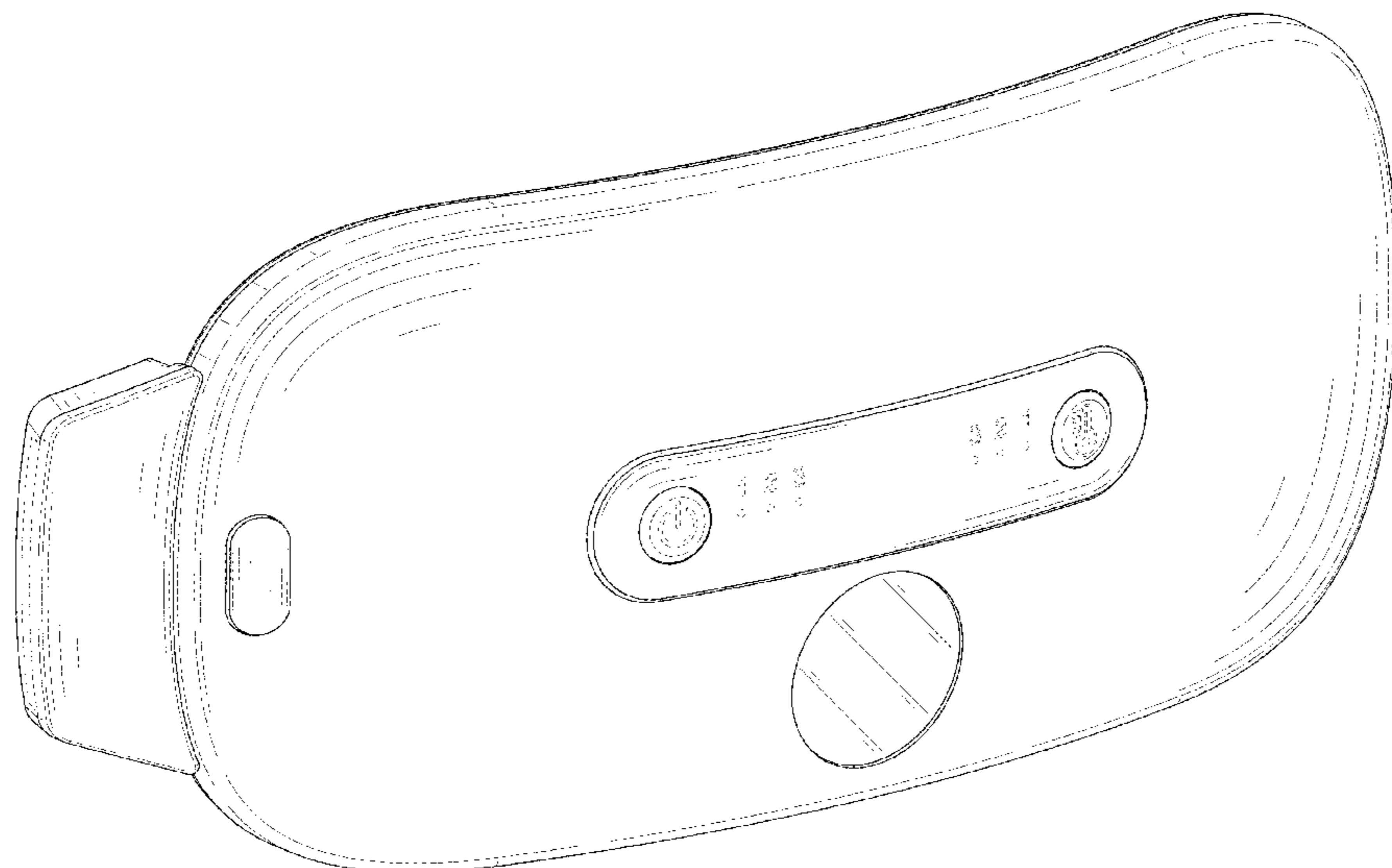
(57) **CLAIM**

The ornamental design for a warm belt, as shown and described.

DESCRIPTION

FIG. 1 is a perspective view of a warm belt showing my new design;
FIG. 2 is another perspective view thereof;
FIG. 3 is a front elevational view thereof;
FIG. 4 is a rear elevational view thereof;
FIG. 5 is a left side elevational view thereof;
FIG. 6 is a right side elevational view thereof;
FIG. 7 is a top plan view thereof; and,
FIG. 8 is a bottom plan view thereof.
The broken lines in the drawings depict portions of the warm belt that form no part of the claimed design.

1 Claim, 8 Drawing Sheets



(56)

References Cited

U.S. PATENT DOCUMENTS

D911,954 S *	3/2021	Xie	D13/103
D912,261 S *	3/2021	Tang	D24/206
D916,298 S	4/2021	Langberg et al.	
D919,106 S *	5/2021	Zhu	D24/206
D919,824 S *	5/2021	Zhu	D24/206
D931,480 S *	9/2021	Pi	D24/206
D935,039 S *	11/2021	Zhu	D24/206
D955,985 S *	6/2022	Xie	D13/108
D957,658 S *	7/2022	Ye	D24/206

OTHER PUBLICATIONS

Yeamon Portable Cordless Heating Pad, Amazon.com, date published Sep. 20, 2020, date retrieved Jul. 21, 2022—29803889—<https://amzn.to/3PMfLb2> (Year: 2020).*

* cited by examiner

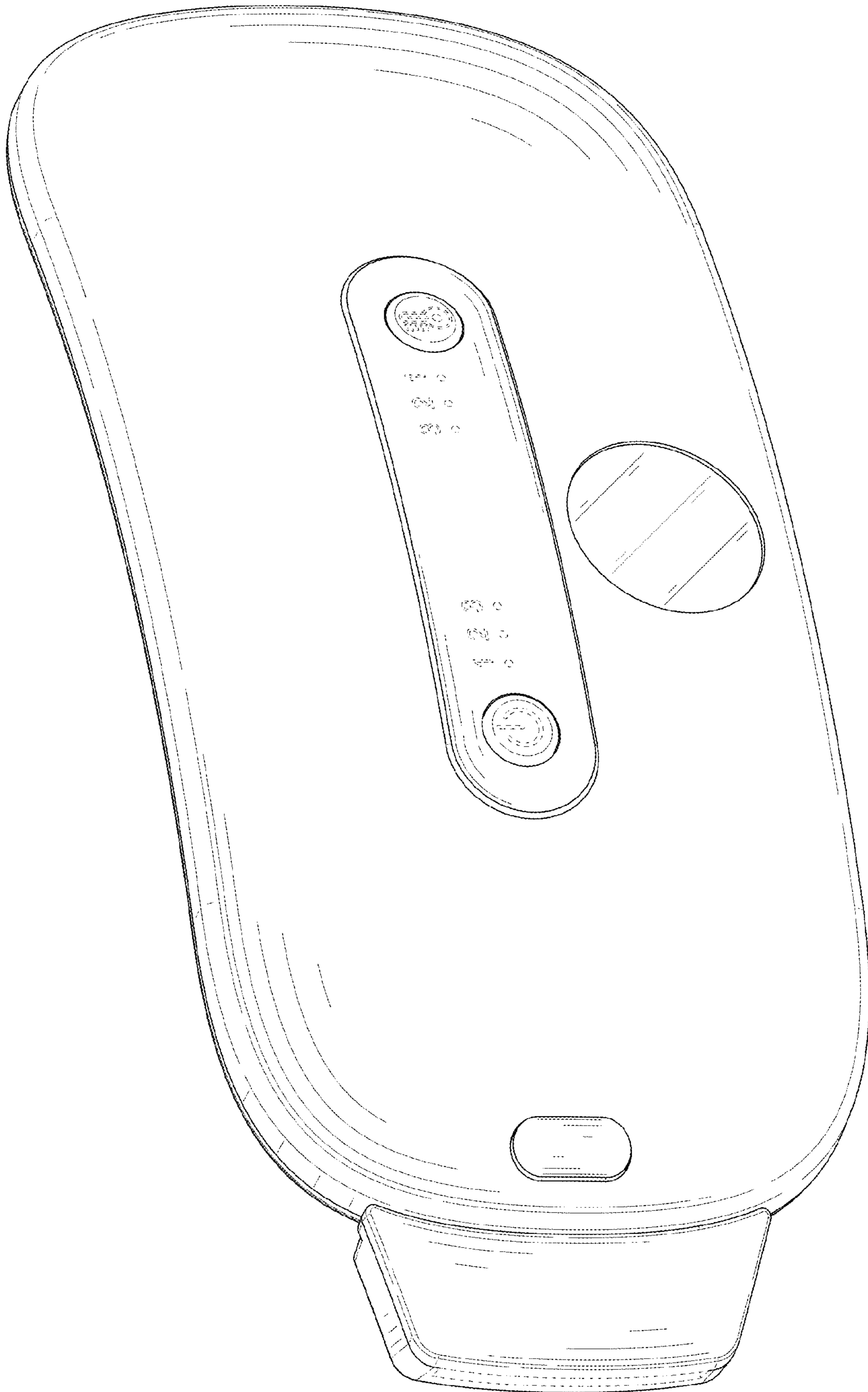


FIG. 1

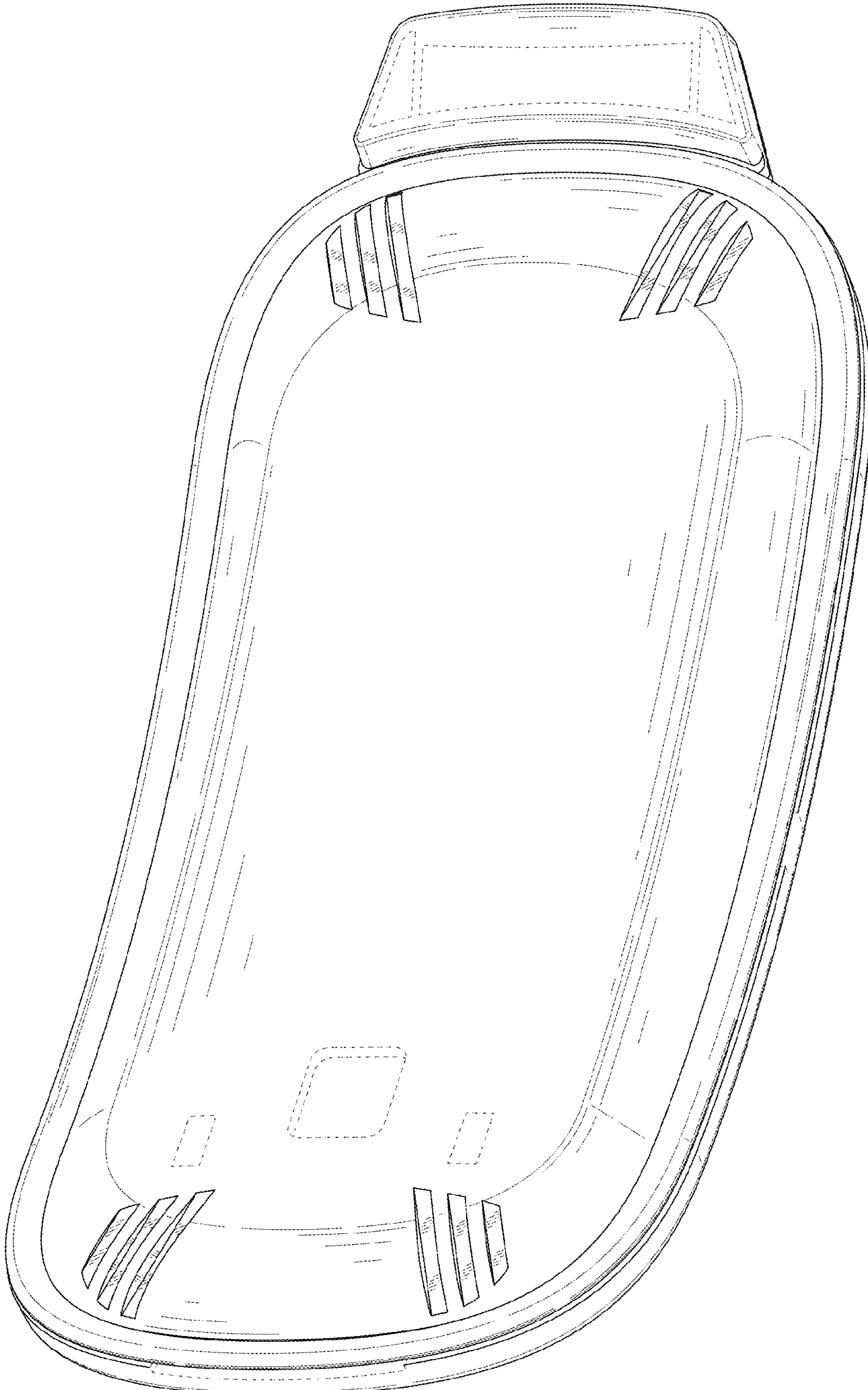


FIG. 2

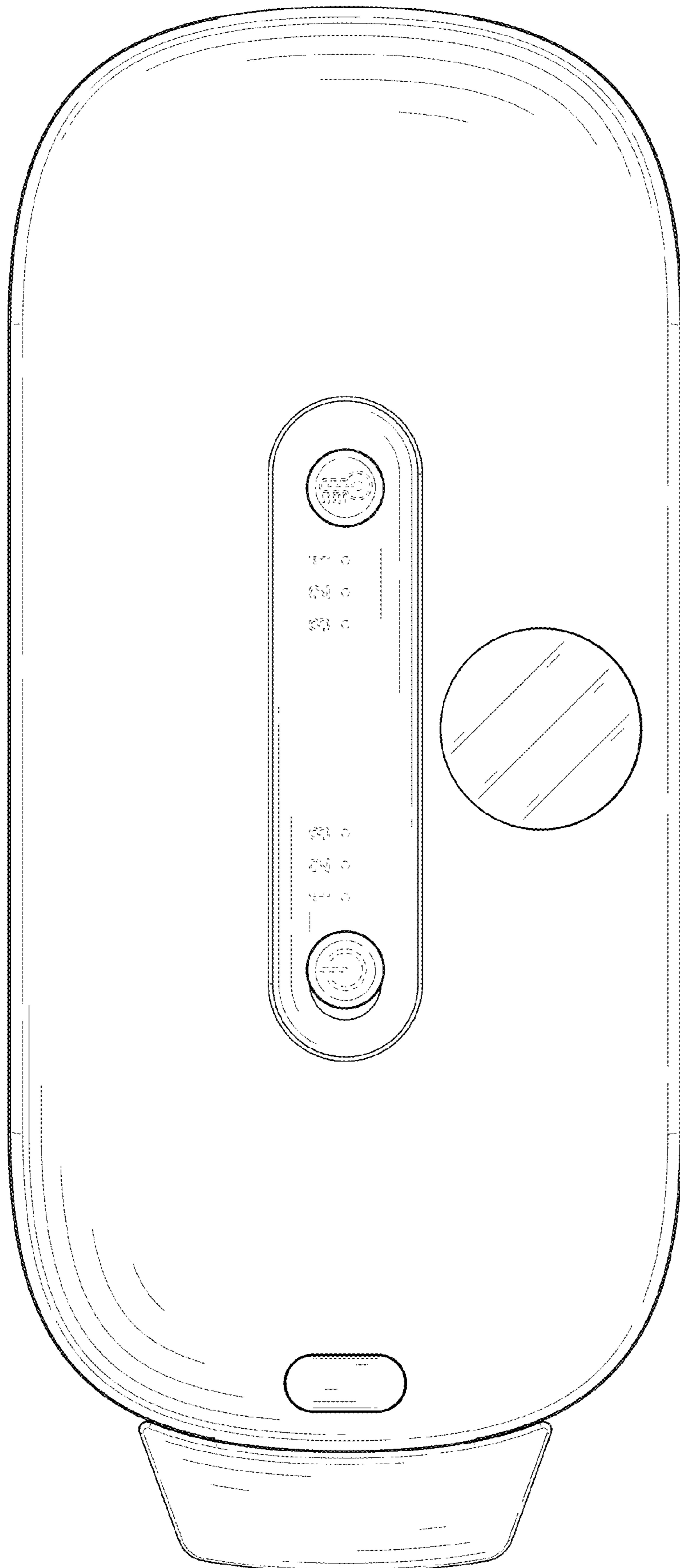


FIG. 3

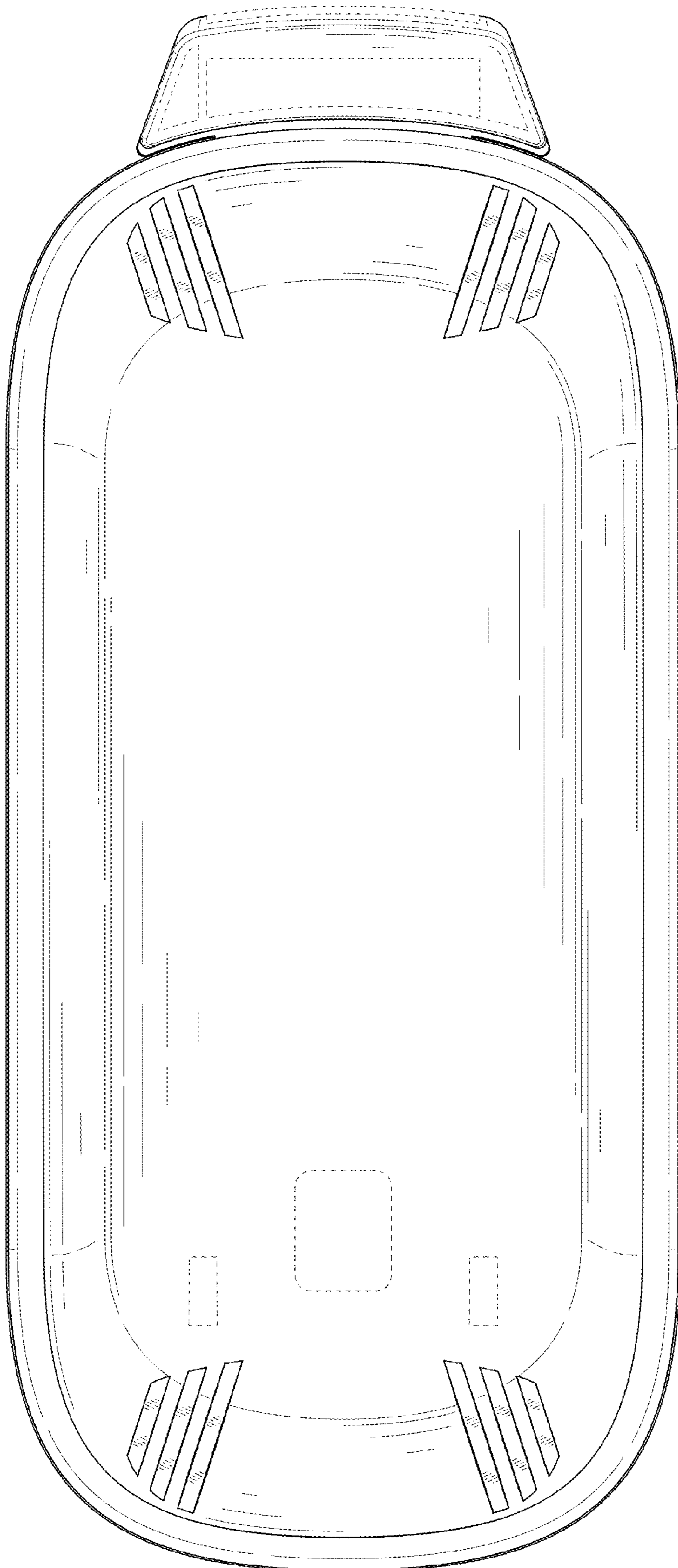


FIG. 4

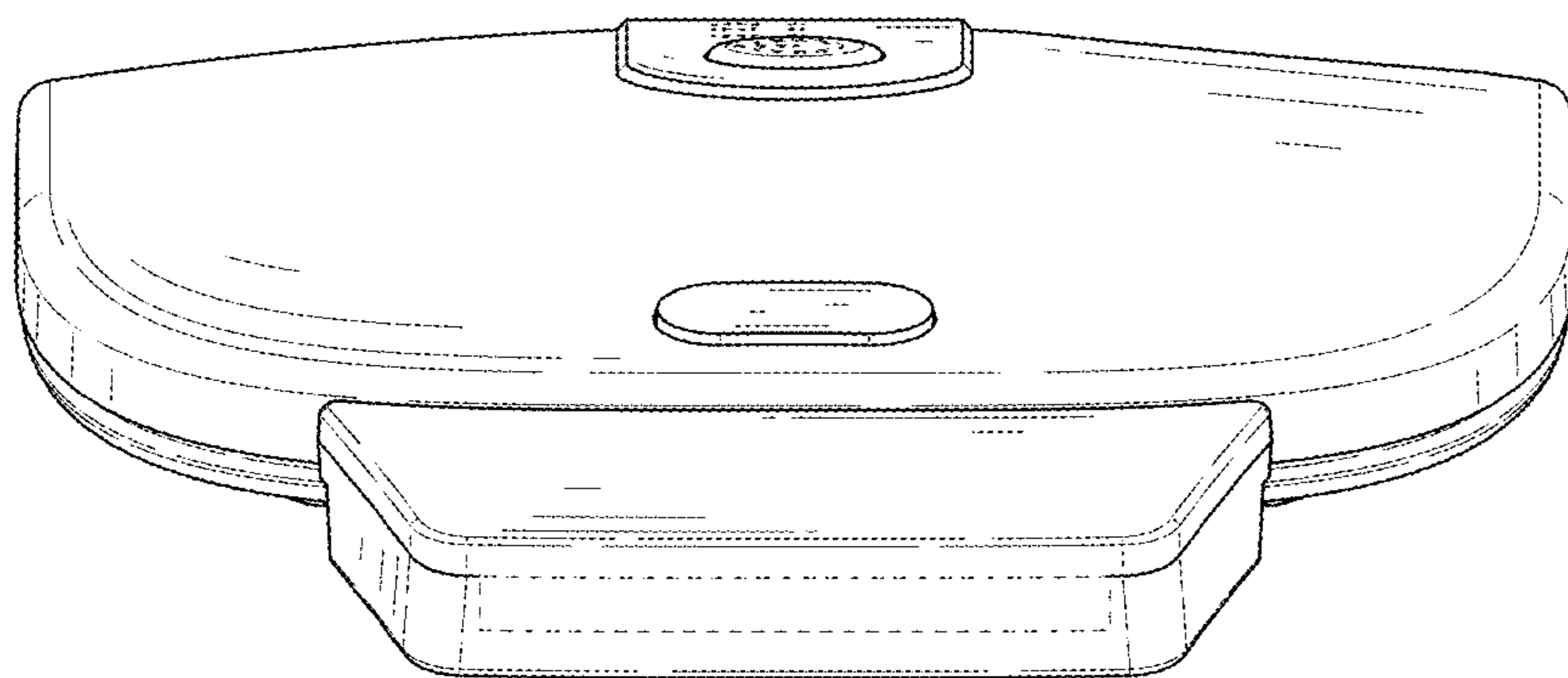


FIG. 5

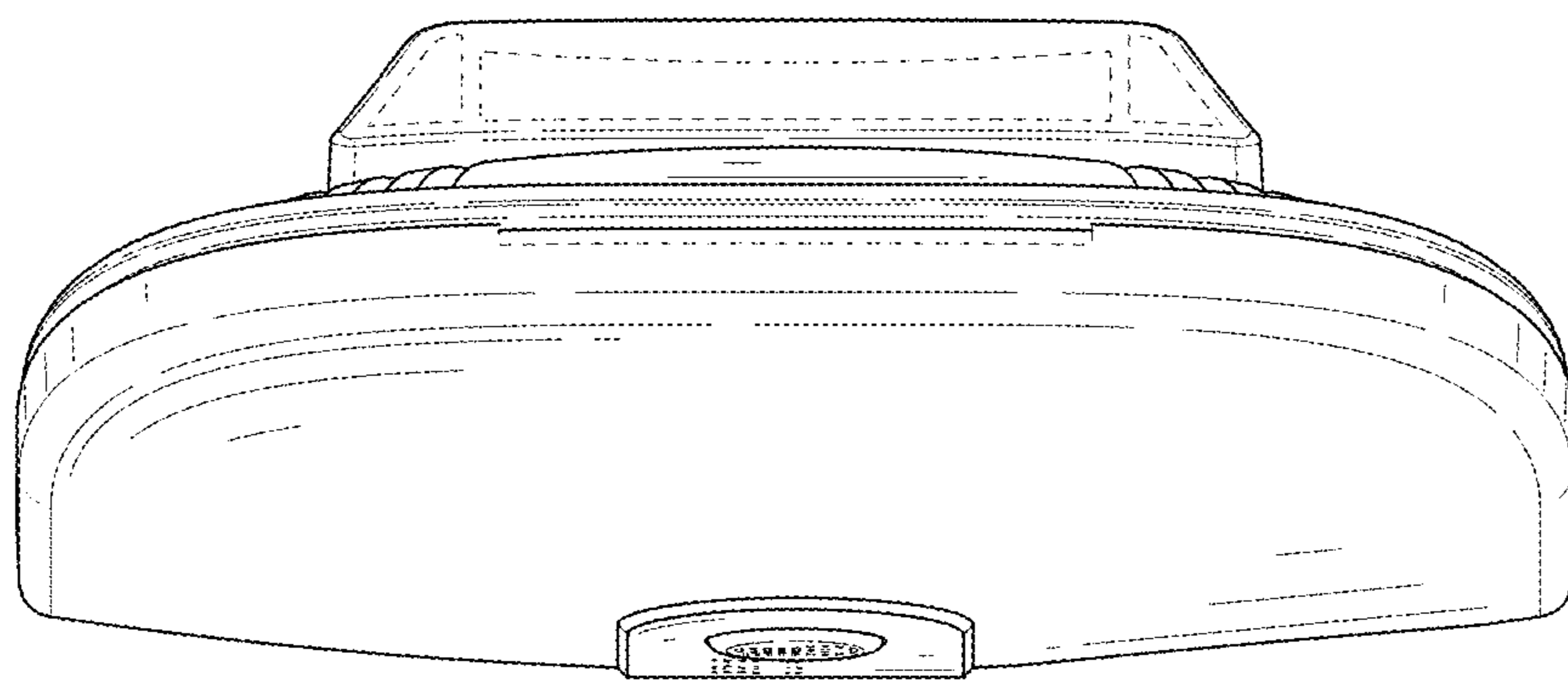


FIG. 6

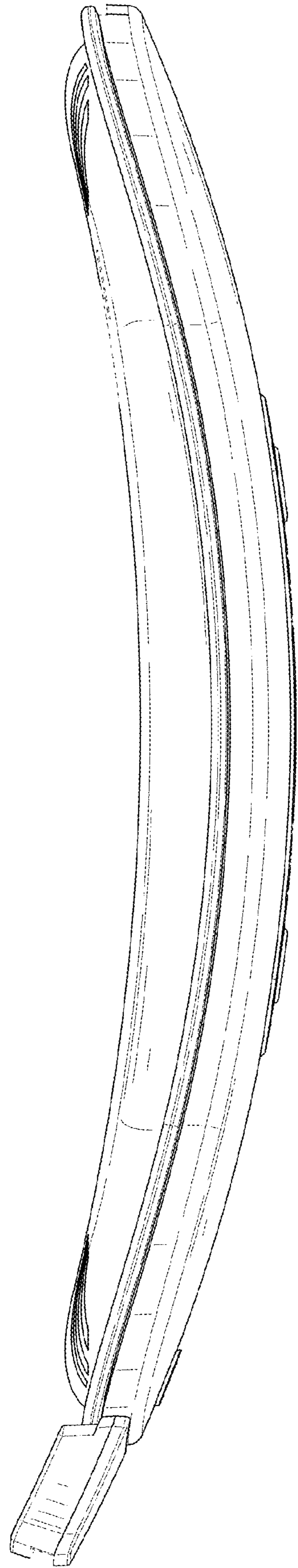


FIG. 7

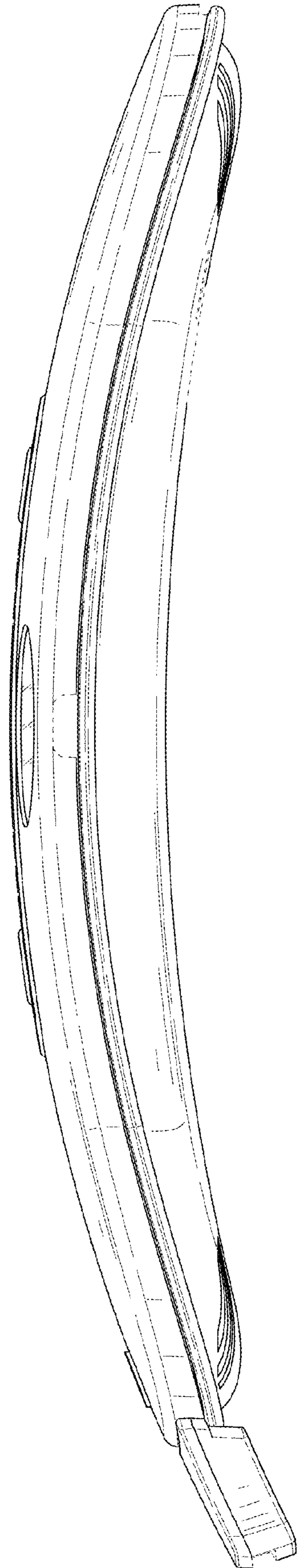


FIG. 8