



US00D983982S

(12) **United States Design Patent**
Barak

(10) **Patent No.:** **US D983,982 S**

(45) **Date of Patent:** **** Apr. 18, 2023**

(54) **SKIN TREATMENT DEVICE APPLICATOR**

(71) Applicants: **LUMENIS LTD**, Yokneam (IL);
POLLOGEN LTD., Tel Aviv (IL)

(72) Inventor: **Hagai Barak**, Tel Aviv-Jaffa (IL)

(73) Assignee: **POLLOGEN LTD.**, Tel Aviv (IL)

(**) Term: **15 Years**

(21) Appl. No.: **29/781,155**

(22) Filed: **Apr. 28, 2021**

(51) **LOC (14) Cl.** **24-01**

(52) **U.S. Cl.**
USPC **D24/200**

(58) **Field of Classification Search**
USPC D24/200, 209–215, 186; D28/7
CPC .. A61N 5/0613; A61N 5/0616; A61N 5/0617;
A61N 5/062; A61N 2005/0643; A61N
2005/0644; A61H 7/00; A61H 7/001;
A61H 7/002; A61H 7/003; A61H 7/004;
A61H 7/005; A61H 15/00; A61H
15/0078; A61H 15/0085; A61H
2005/0042; A61H 2201/1253; A61H
23/06

See application file for complete search history.

(56) **References Cited**

U.S. PATENT DOCUMENTS

D320,279 S * 9/1991 McQueen D24/215
D791,960 S * 7/2017 Guanying D24/209

D824,528 S * 7/2018 Yang D24/209
D862,717 S * 10/2019 Khubani D24/200
10,543,040 B2 * 1/2020 Beerwerth A61N 5/0617
D880,710 S * 4/2020 Amoyal D24/209
D898,207 S * 10/2020 Yang D24/200
11,383,096 B2 * 7/2022 Lim A61N 5/0616
2017/0216619 A1 * 8/2017 Beerwerth A61N 5/0617
2020/0038530 A1 * 2/2020 Yildirim A61N 5/0616
2020/0046999 A1 * 2/2020 Lim A61N 5/0616
2020/0179220 A1 * 6/2020 Jablow A61H 9/0057
2020/0179713 A1 * 6/2020 Subhash A61N 5/0616

* cited by examiner

Primary Examiner — Wan Laymon

(74) *Attorney, Agent, or Firm* — Isus Intellectual Property
PLLC; Anthony Jason Mirabito

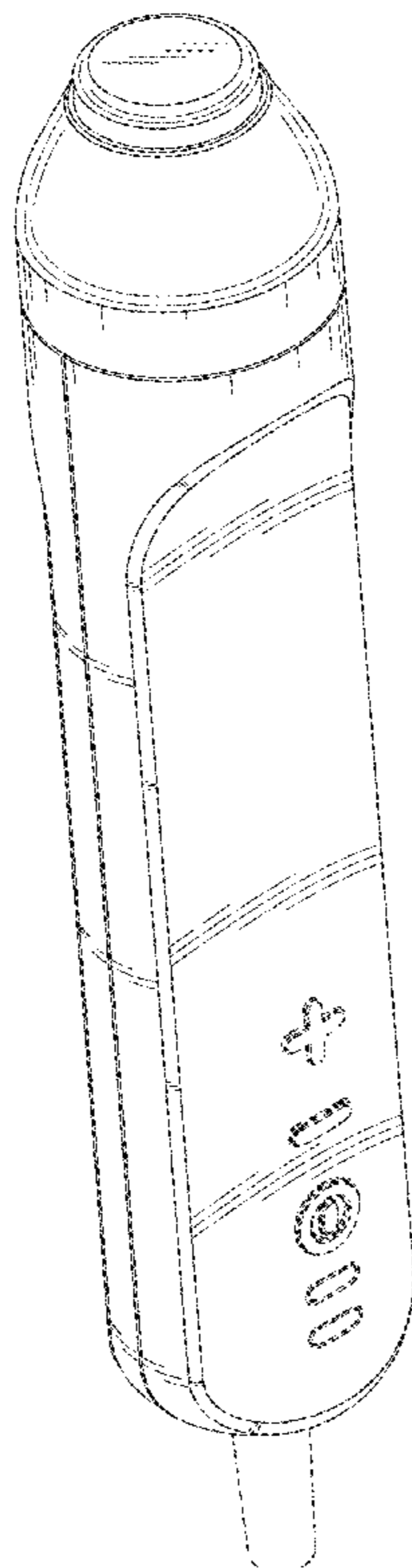
(57) **CLAIM**

The ornamental design for a skin treatment device applicator, as shown and described.

DESCRIPTION

FIG. 1 is a top perspective view of a skin treatment device application of the new design.
FIG. 2 is a front view of the new design.
FIG. 3 is a back view of the new design.
FIG. 4 is a left side view of the new design.
FIG. 5 is a right side view of the new design.
FIG. 6 is a top view of the new design; and,
FIG. 7 is a bottom view of the new design.
In the drawings, the broken lines depict portions and environment of the skin treatment device application and form no part of the claimed design.

1 Claim, 6 Drawing Sheets



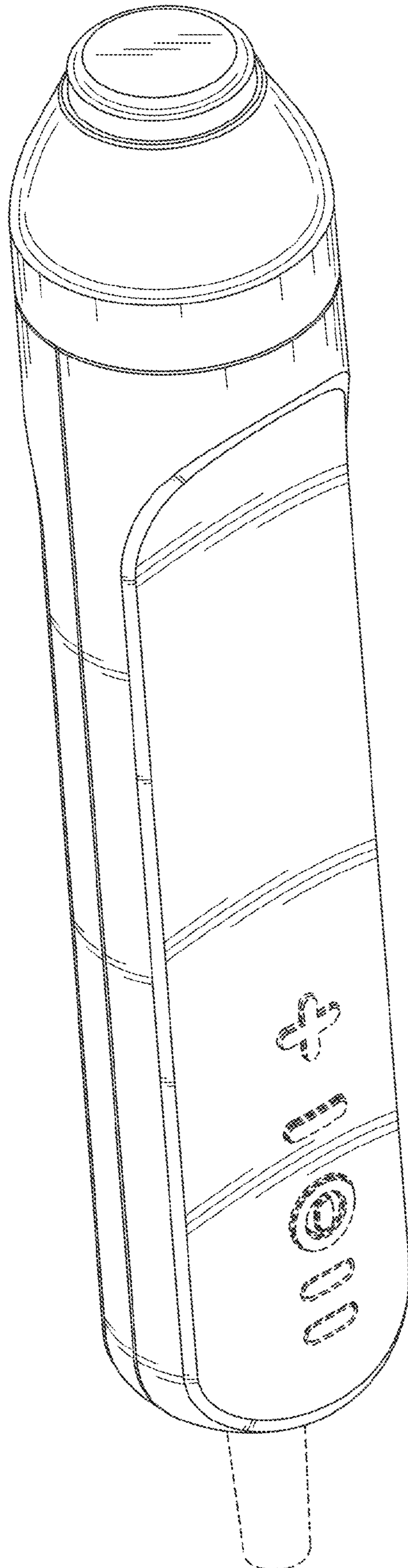


FIG. 1

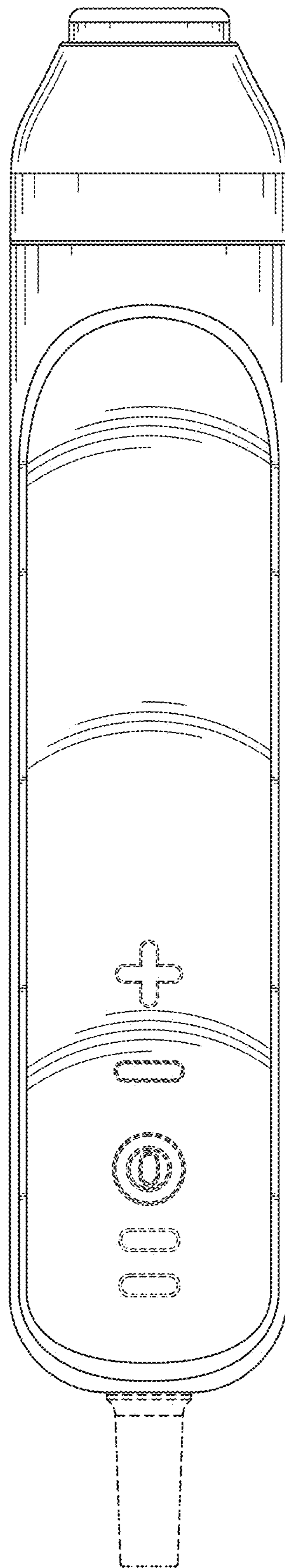


FIG. 2

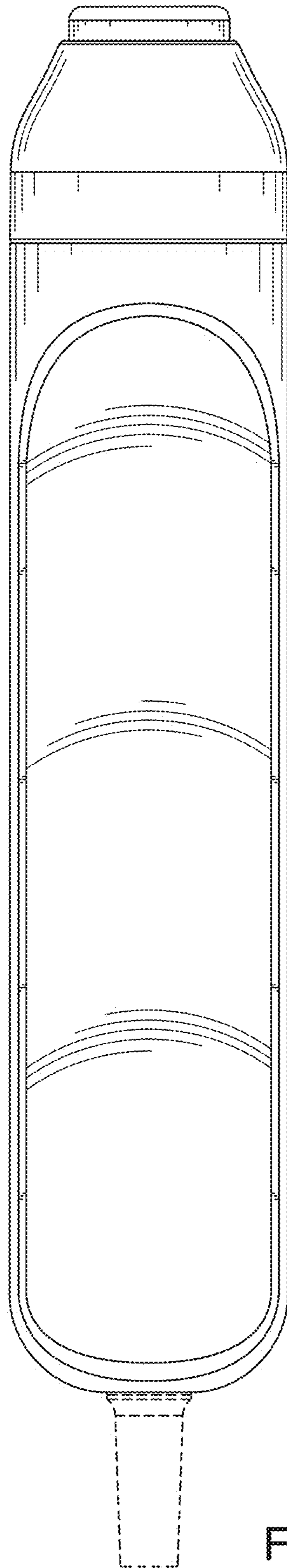


FIG. 3

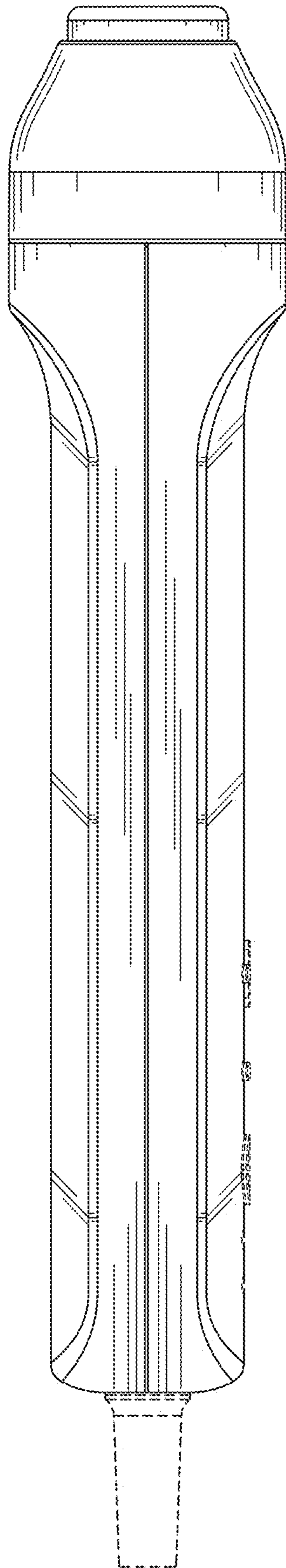


FIG. 4

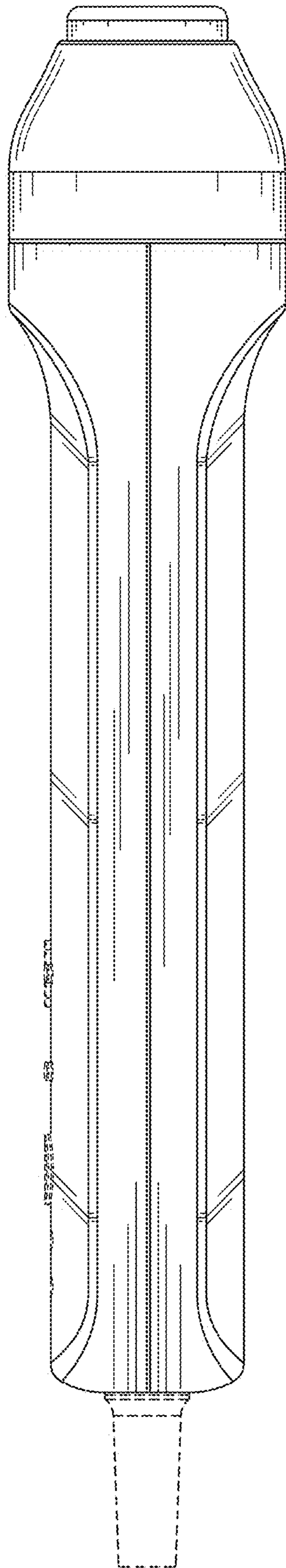


FIG. 5

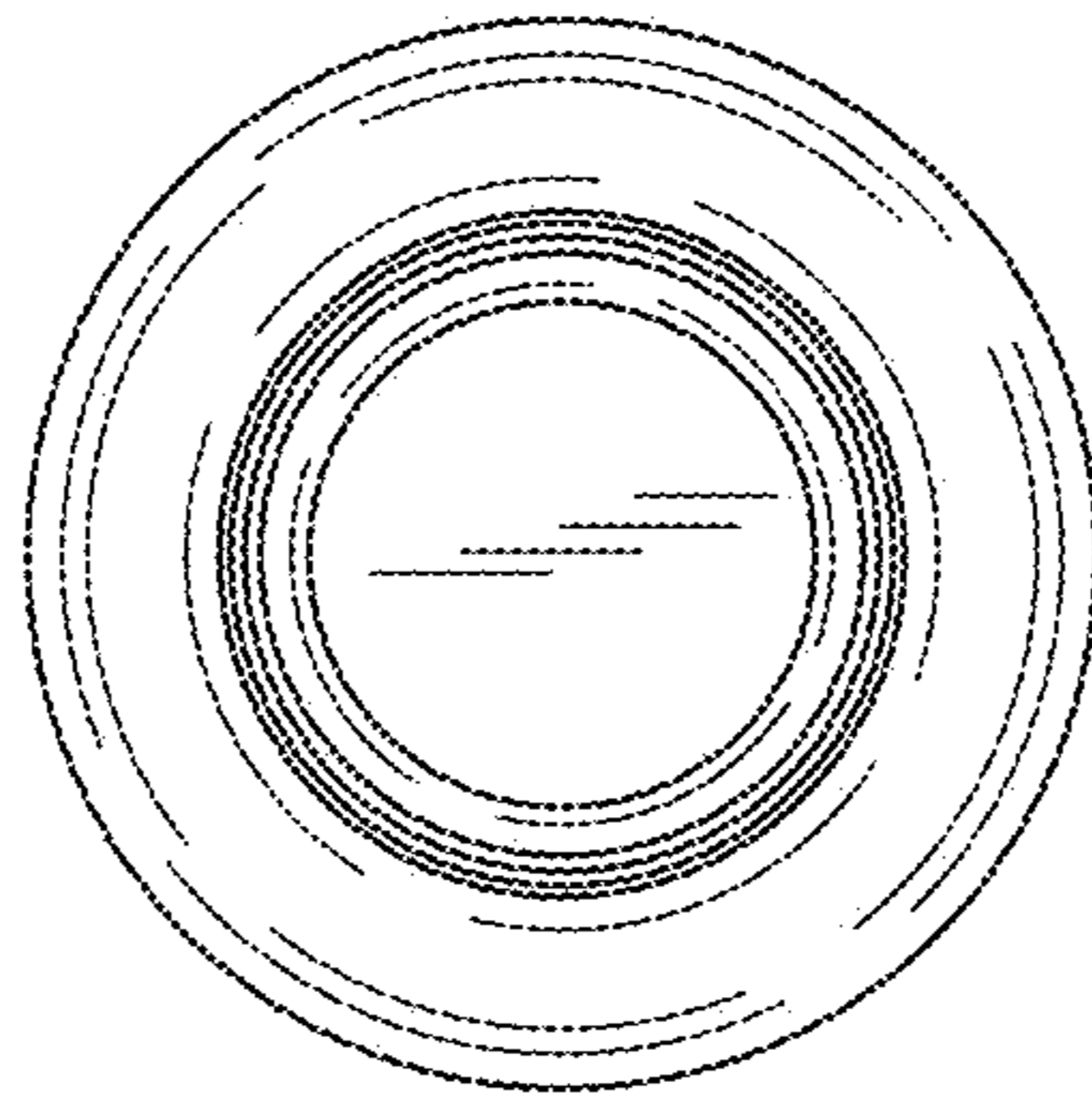


FIG. 6

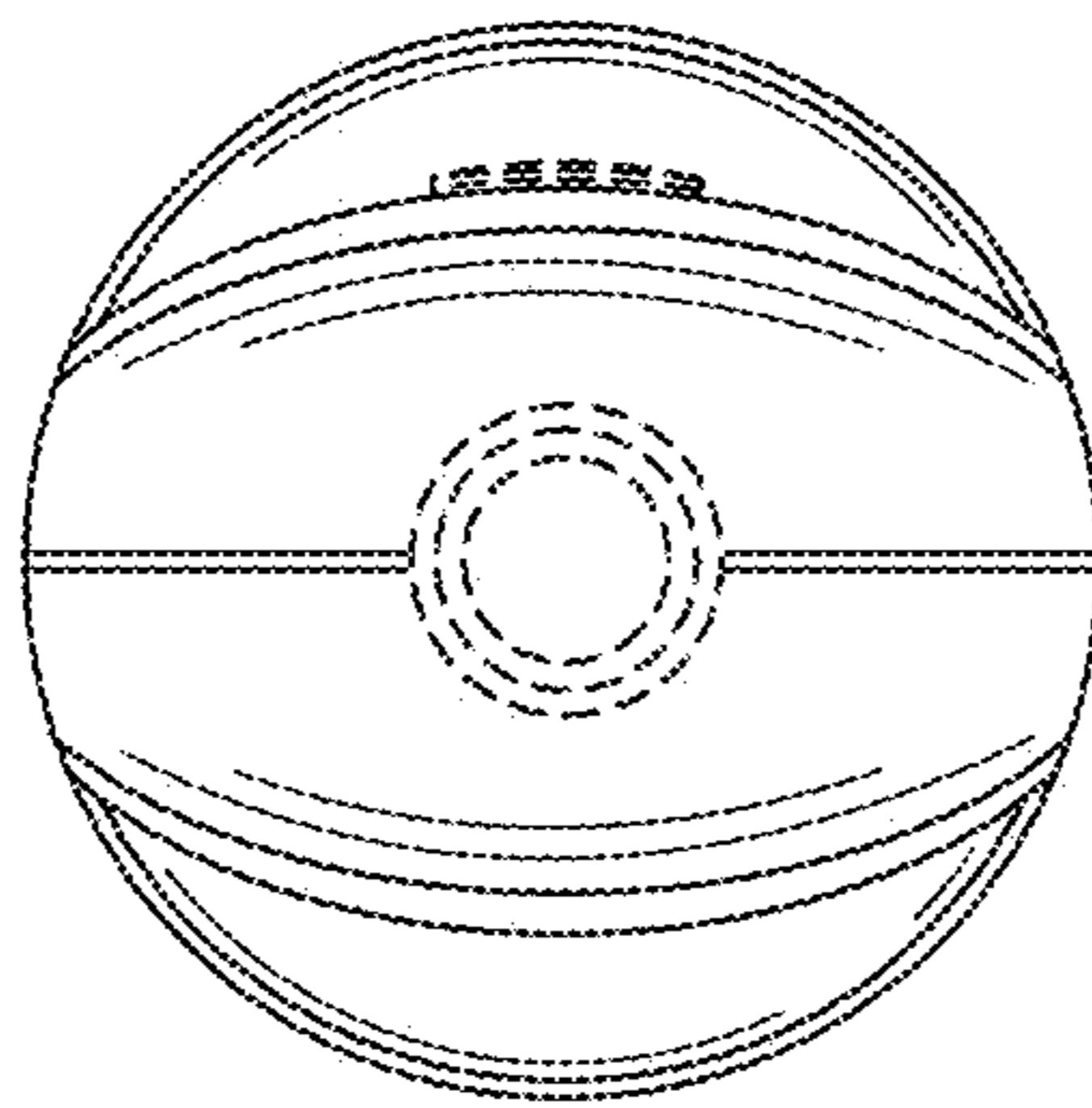


FIG. 7