



US00D983981S

(12) **United States Design Patent**
Dallman

(10) **Patent No.:** **US D983,981 S**

(45) **Date of Patent:** **** Apr. 18, 2023**

(54) **PACIFIER**

(71) Applicant: **Stacy A. Dallman**, Middleport, NY
(US)

(72) Inventor: **Stacy A. Dallman**, Middleport, NY
(US)

(**) Term: **15 Years**

(21) Appl. No.: **29/774,471**

(22) Filed: **Mar. 17, 2021**

(51) **LOC (14) Cl.** **24-04**

(52) **U.S. Cl.**

USPC **D24/194**

(58) **Field of Classification Search**

USPC D24/115, 117, 190, 193, 194, 195, 214;
D30/160; D21/576, 584, 596, 616, 611,
D21/630; D11/215

CPC A61J 17/001; A61J 17/10; A61J 17/107;
A61J 17/109; A61J 17/111; A61J
17/1111; A61J 17/1115

See application file for complete search history.

(56) **References Cited**

U.S. PATENT DOCUMENTS

2,665,693	A *	1/1954	Pecora	A61J 17/109 606/235
3,267,937	A *	8/1966	Fransverschuur	A61J 17/02 606/236
D748,811	S *	2/2016	Lee	D24/194
D755,451	S *	5/2016	Lai	D30/160
9,770,394	B1 *	9/2017	Velazquez	A61J 17/109
D826,413	S *	8/2018	Eaton	D24/194
D861,886	S *	10/2019	Kubelka	D24/194
D887,014	S *	6/2020	Ferrell	D24/194
D926,327	S *	7/2021	Douglas	D24/194
RE48,840	E *	12/2021	Kim	A61J 17/02

2012/0290007	A1 *	11/2012	Rohrig	A61J 17/02 606/235
2017/0326037	A1 *	11/2017	Molina	A61J 17/001
2021/0169745	A1 *	6/2021	Hakim	A61J 17/001

OTHER PUBLICATIONS

“Nookums: Replacement Pacifier for Paci-Plushies”. Found online Dec. 30, 2021 at amazon.com. Reference dated Nov. 21, 2017. Retrieved from www.amazon.com/Nookums-Paci-Plushies-Replacement-Pacifier-Pack/dp/B0753LT2V7/.*

“RaZbaby: BerryBumps Silicone Teether with Handle”. Found online Oct. 27, 2022 at amazon.com. Reference dated Nov. 26, 2021. Retrieved from <https://www.amazon.com/RaZbaby-RaZberry-Silicone-Teether-Easy/dp/B09HYM4N75/>.*

“DoveDovelet: Saturn Teether Bracelet”. Found online Jul. 11, 2019 at instagram.com. Reference dated Feb. 1, 2016. Retrieved from <https://www.instagram.com/p/BBQt5r5nElo/>.*

“Doddle & Co.: London Pop Pacifier”. Found online Jun. 28, 2022 at facebook.com. Reference dated Jul. 23, 2021. Retrieved from <https://www.facebook.com/doddleandco/>.*

* cited by examiner

Primary Examiner — Kendra Leslie Hamilton

(74) *Attorney, Agent, or Firm* — Donald J. Ersler

(57)

CLAIM

The ornamental design for a pacifier, as shown and described.

DESCRIPTION

FIG. 1 is a top perspective view of a pacifier incorporating my new design;

FIG. 2 is a bottom perspective view thereof;

FIG. 3 is a bottom side perspective view thereof;

FIG. 4 is a top plan view thereof;

FIG. 5 is a bottom plan view thereof;

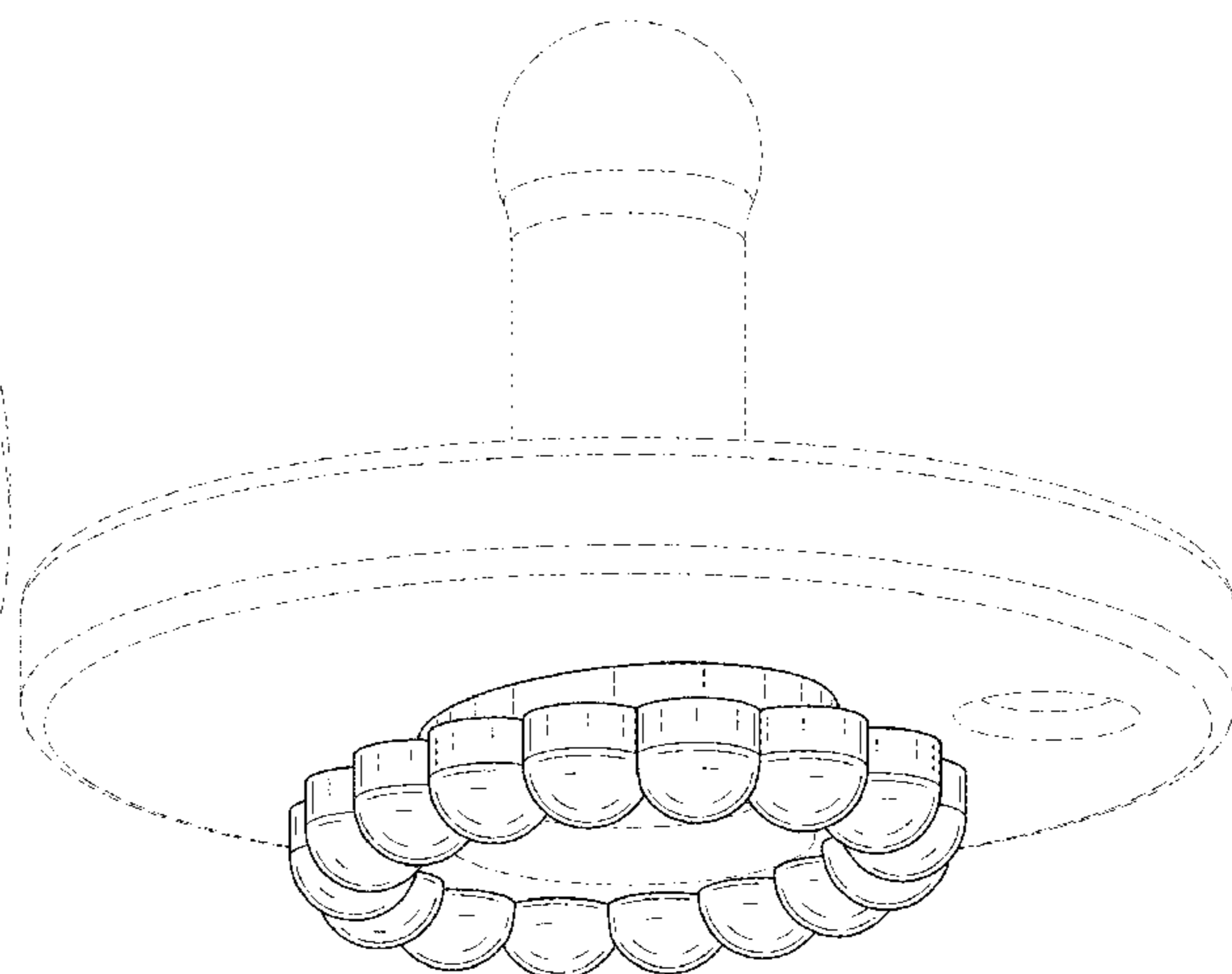
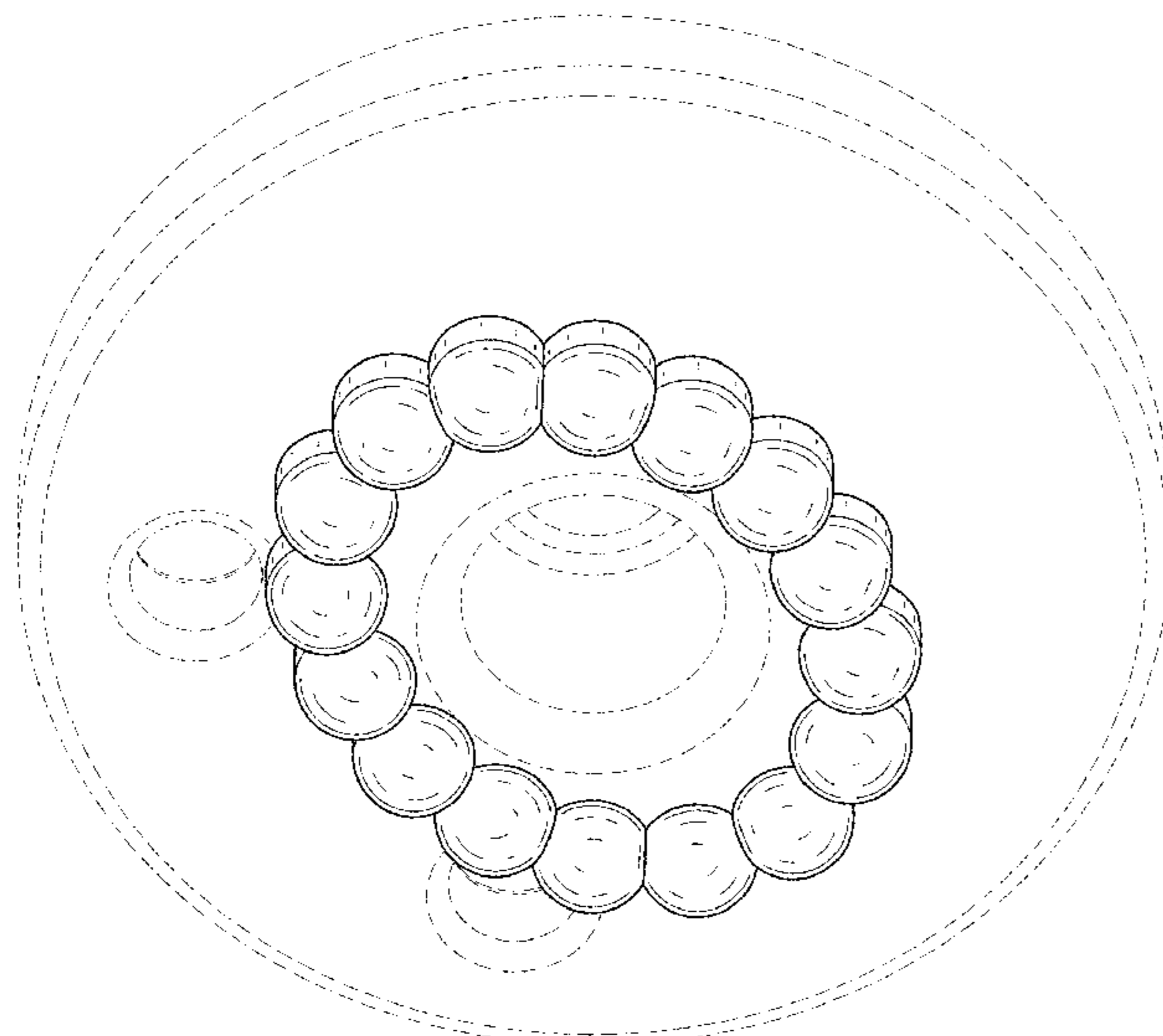
FIG. 6 is a left side or right side view thereof;

FIG. 7 is a front view thereof; and,

FIG. 8 is a rear view thereof.

The broken lines illustrate portions of the pacifier that form no part of the claimed design.

1 Claim, 8 Drawing Sheets



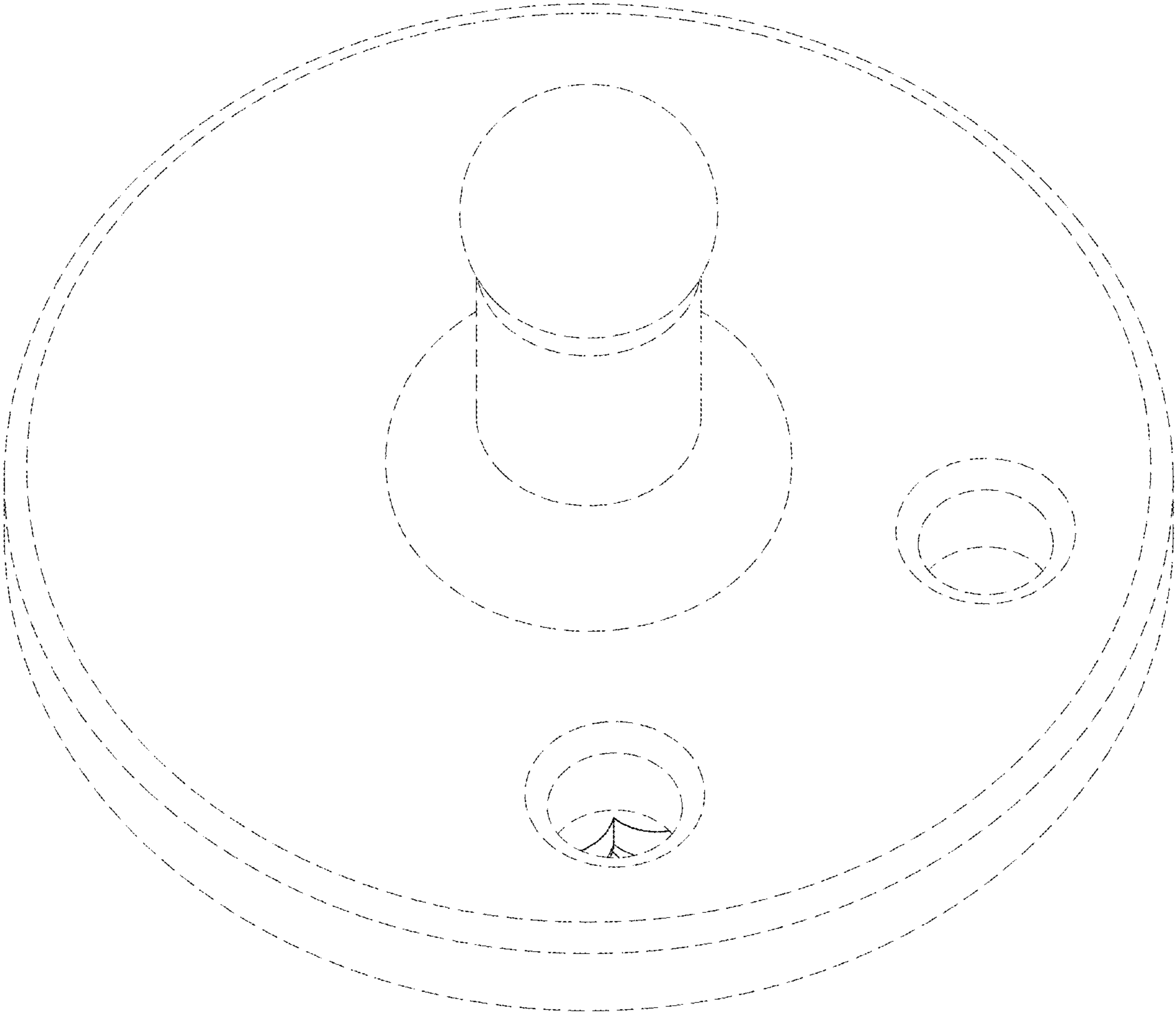


FIG. 1

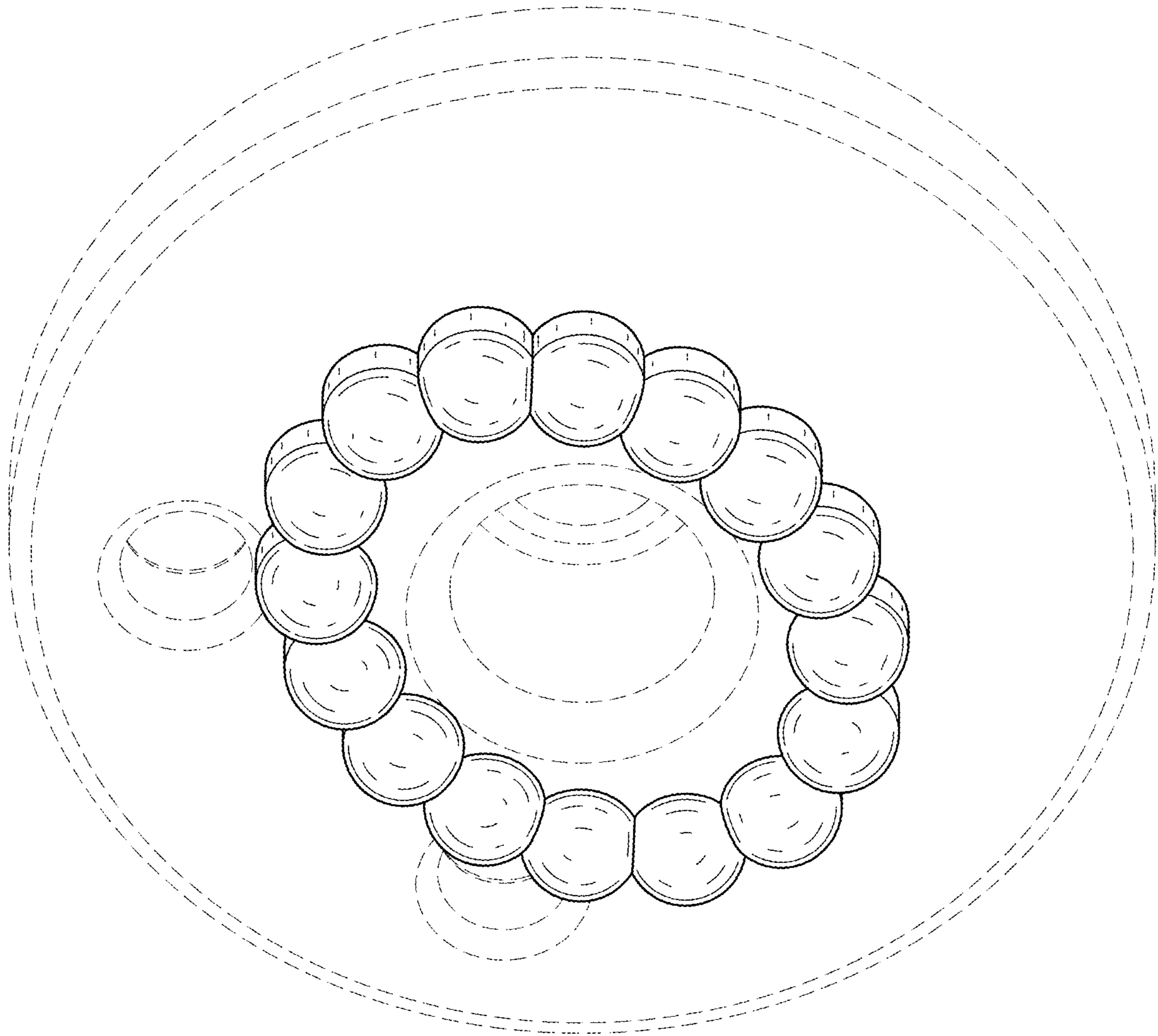


FIG. 2

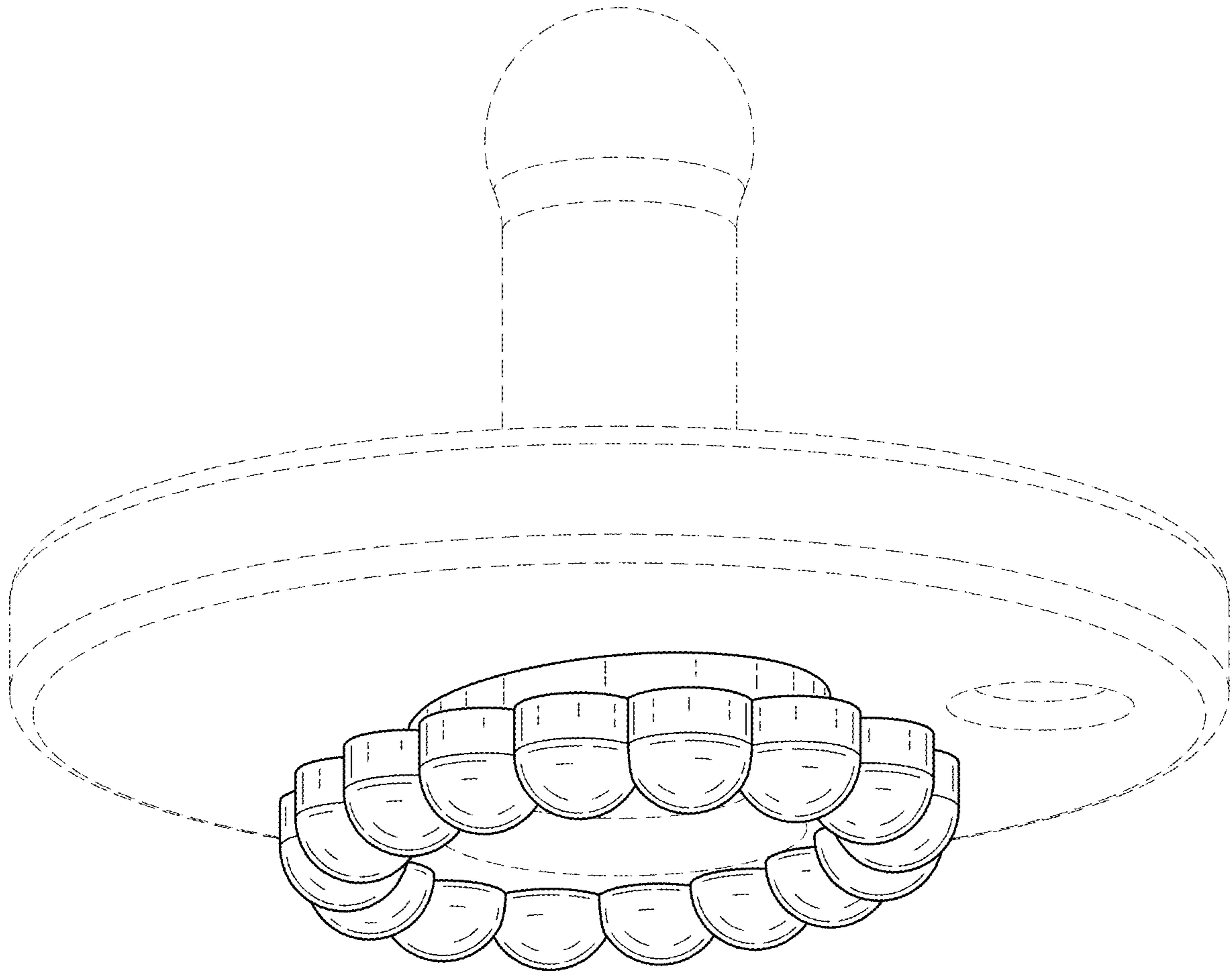


FIG. 3

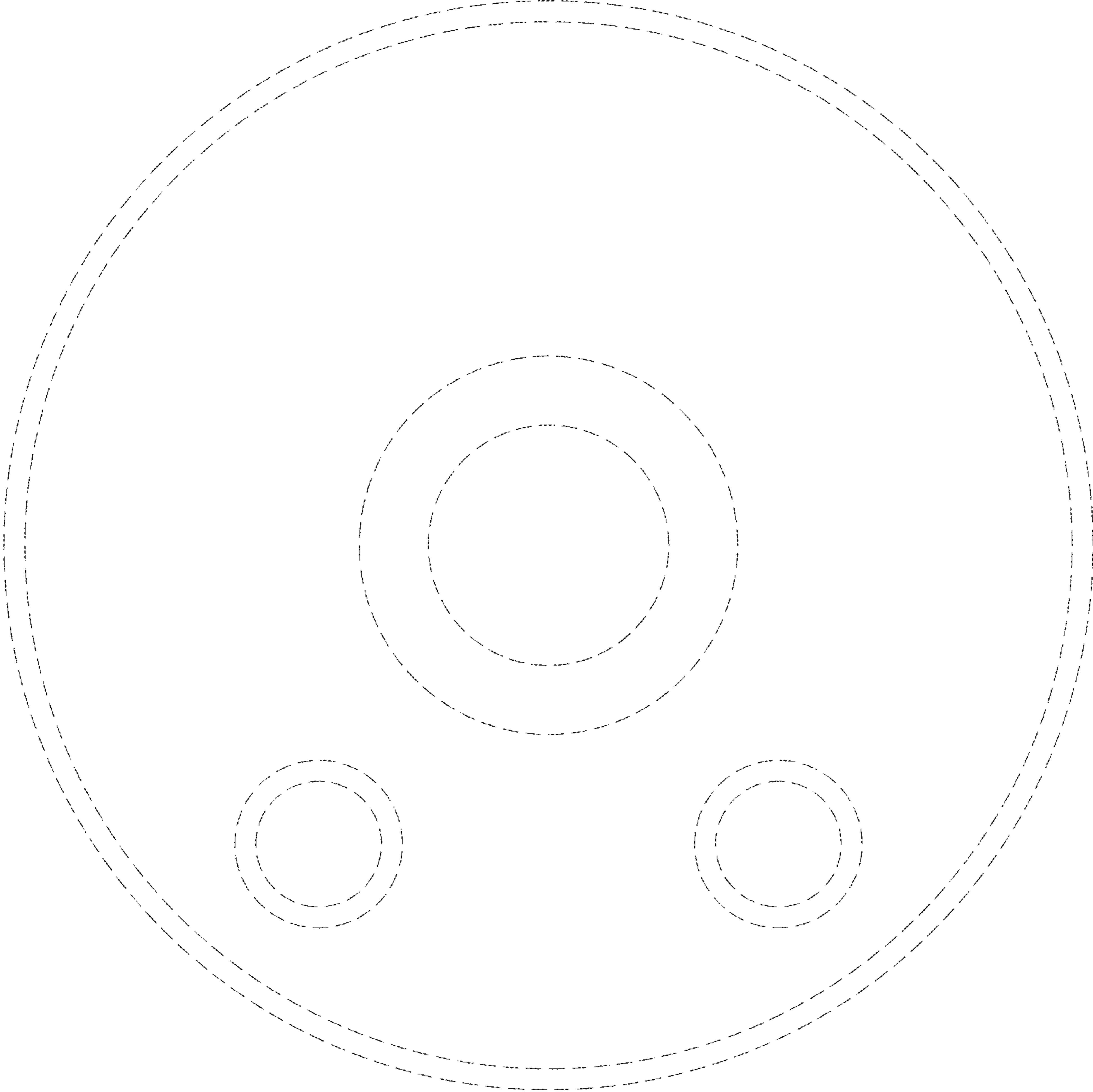


FIG. 4

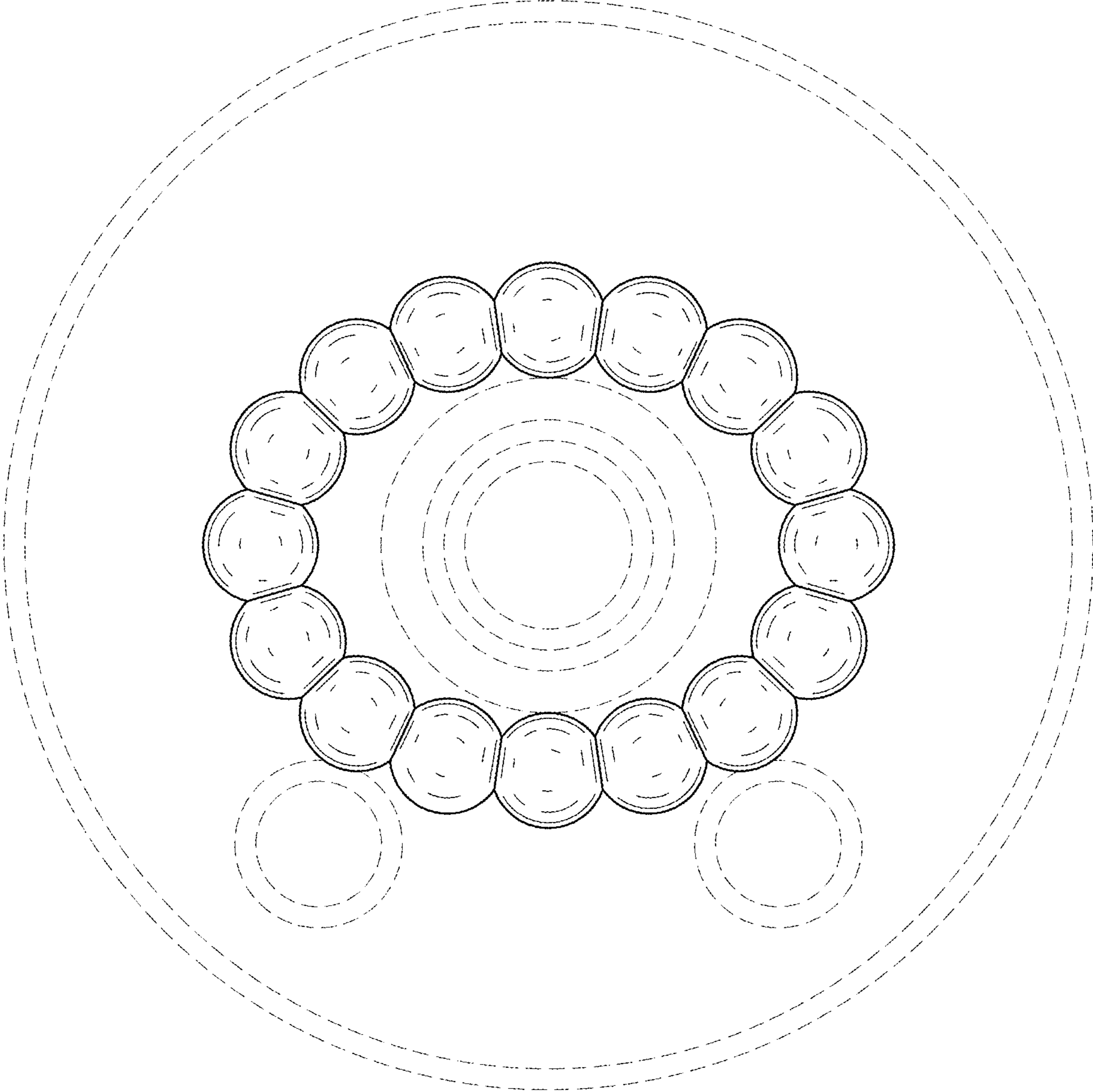


FIG. 5

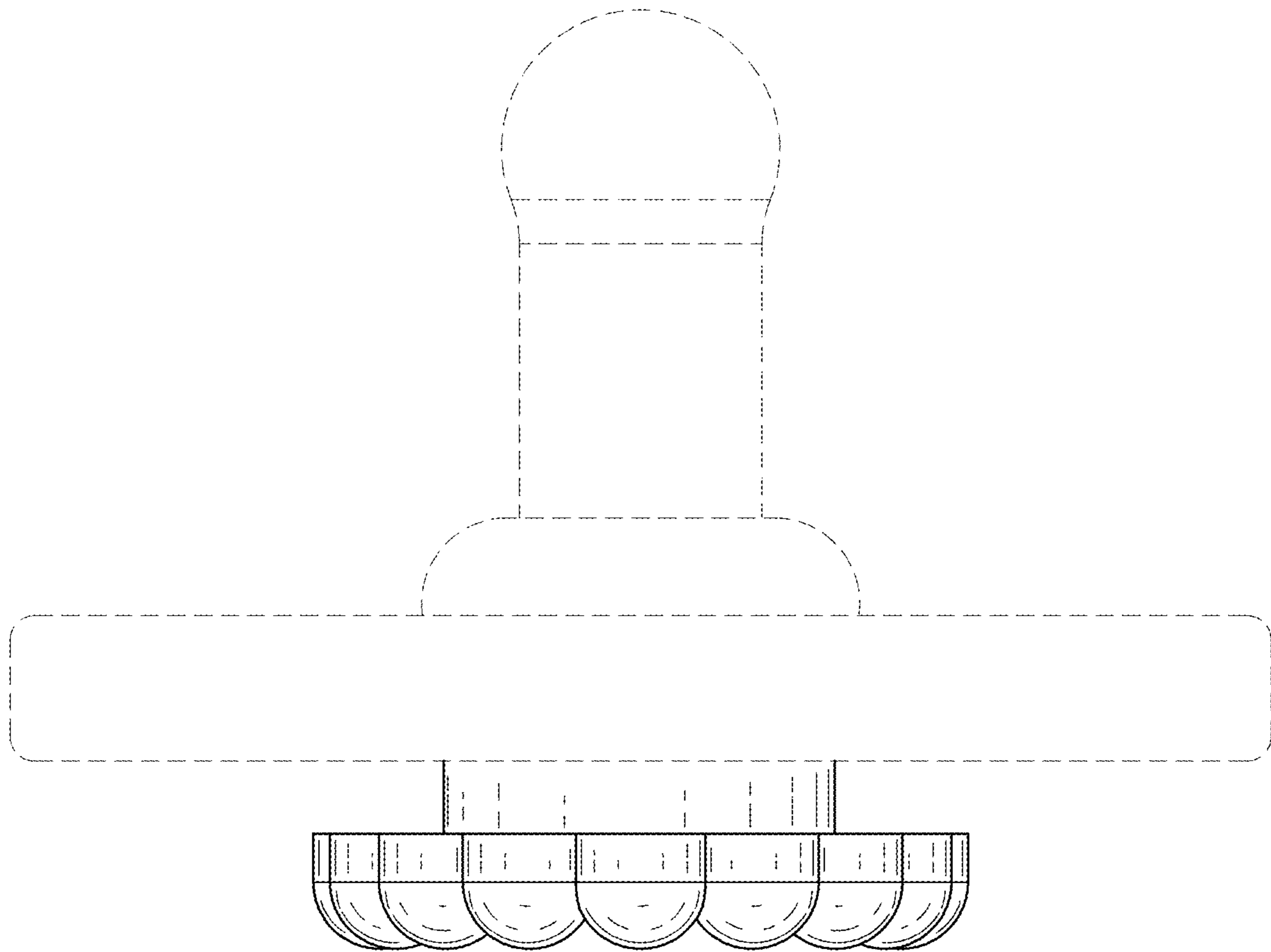


FIG. 6

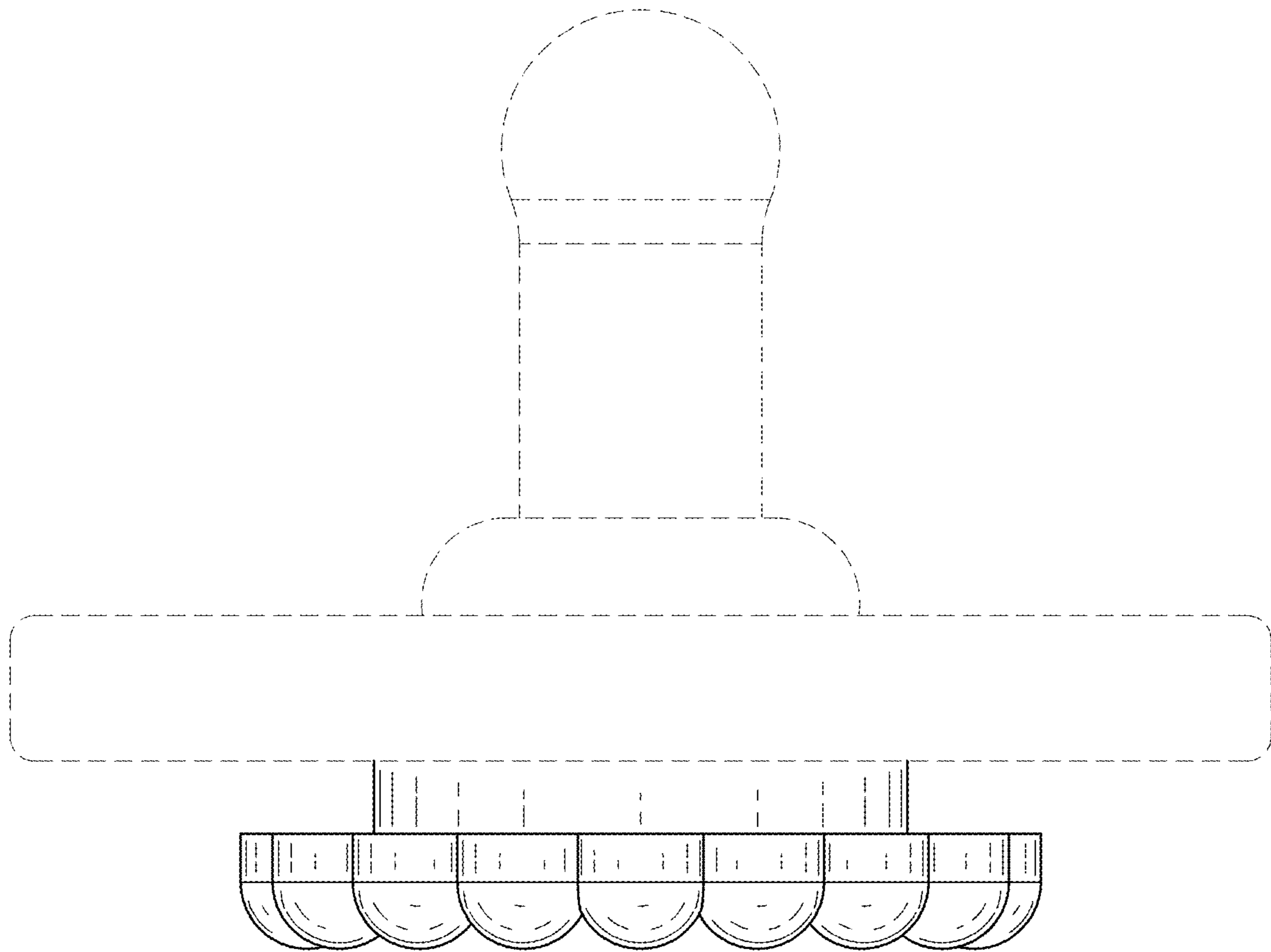


FIG. 7

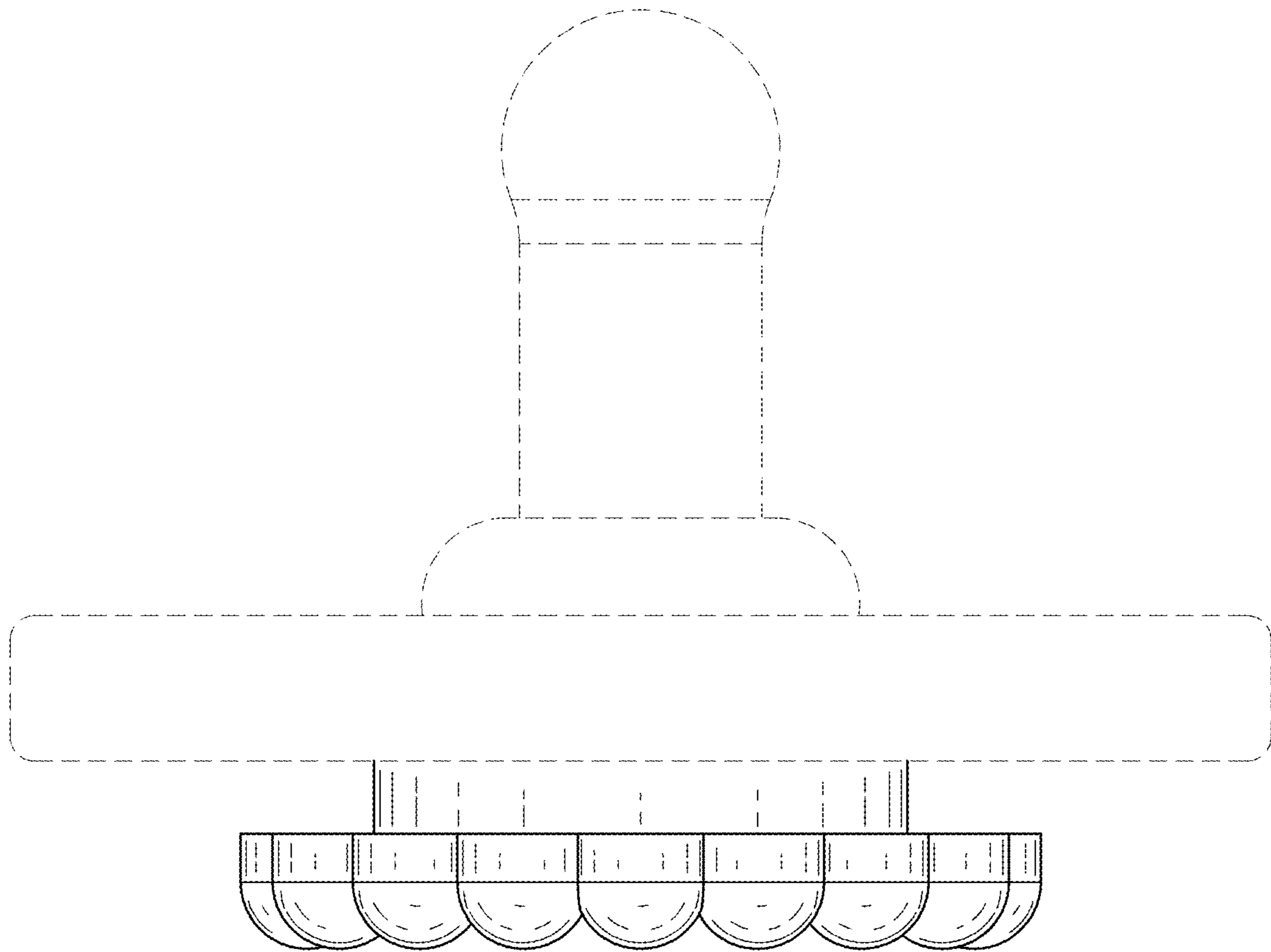


FIG. 8