



US00D983979S

(12) **United States Design Patent** (10) **Patent No.:** **US D983,979 S**  
**Cao** (45) **Date of Patent:** **\*\* Apr. 18, 2023**

(54) **TOE SPLINT**  
(71) Applicant: **Keyun Cao**, Shangqiu (CN)  
(72) Inventor: **Keyun Cao**, Shangqiu (CN)  
(\*\*) Term: **15 Years**  
(21) Appl. No.: **29/882,216**  
(22) Filed: **Jan. 12, 2023**  
(51) **LOC (14) Cl.** ..... **24-02**  
(52) **U.S. Cl.**  
USPC ..... **D24/192**  
(58) **Field of Classification Search**  
USPC ..... D24/192, 188-190; D29/121.1, 121.2  
CPC ..... A61F 5/01; A61F 5/0111; A61F 5/0118;  
A61F 5/0127; A61F 5/019; A61F 13/06;  
A61F 13/064; A61F 13/068; A61F 13/10;  
A61F 13/101; A61F 13/104; A61F  
13/105; A41D 13/06; A41D 13/087;  
A61H 2205/12  
See application file for complete search history.

9,421,118 B2 \* 8/2016 Cropper ..... A61F 5/042  
D880,706 S 4/2020 Kersen et al.  
D931,474 S \* 9/2021 Li ..... D24/192  
D931,476 S \* 9/2021 Yang ..... A61F 5/019  
D24/192  
2006/0155233 A1 \* 7/2006 Huber ..... A61F 5/0102  
602/30

**FOREIGN PATENT DOCUMENTS**

GB 6213883 \* 6/2022  
KR 301099192.0000 \* 3/2021

**OTHER PUBLICATIONS**

Vive Bunion Corrector for Women & Men by Vive. Amazon. Date first available: Dec. 3, 2017. Retrieval date: Feb. 11, 2023. Retrieved from internet: <https://www.amazon.com/Vive-Bunion-Brace-Pair-Straightener/dp/B07J9JXDYW> (Year: 2017).\*

\* cited by examiner

*Primary Examiner* — Daniel J Domino  
*Assistant Examiner* — Lee D. Starr

(56) **References Cited**

**U.S. PATENT DOCUMENTS**

1,746,865 A \* 2/1930 Page ..... A61F 5/019  
602/30  
2,416,823 A \* 3/1947 Day ..... A61F 5/019  
602/30  
2,958,324 A \* 11/1960 Berkemann ..... A61F 5/019  
602/30  
4,729,369 A \* 3/1988 Cook ..... A61F 5/019  
128/893  
5,282,782 A \* 2/1994 Kasahara ..... A61F 5/019  
602/5  
5,957,875 A \* 9/1999 Lockhart ..... A61F 5/019  
128/893  
D613,909 S \* 4/2010 Oban ..... A61F 5/012  
D29/121.2  
7,959,588 B1 \* 6/2011 Wolpa ..... A61F 5/012  
602/61

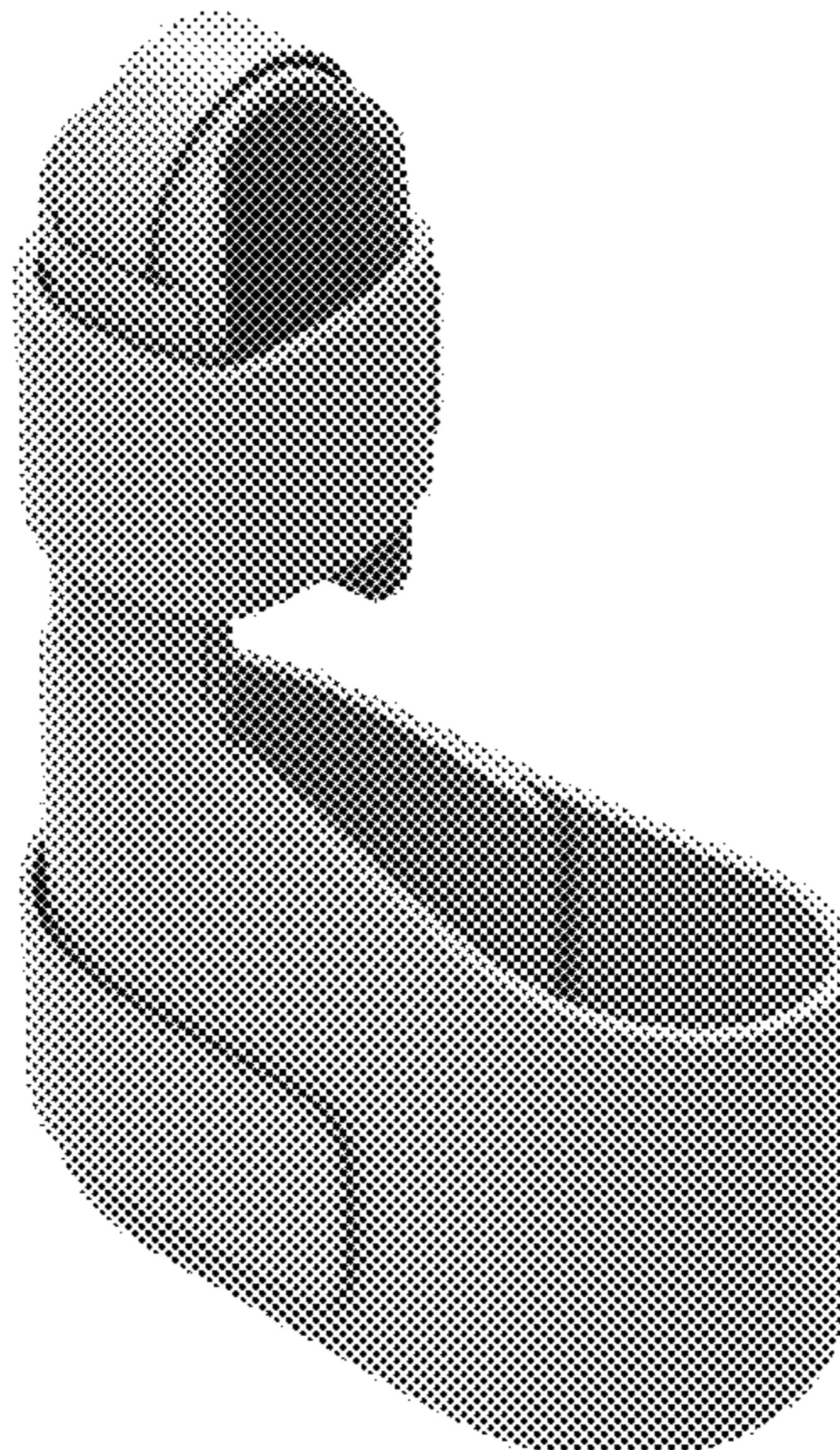
(57) **CLAIM**

The ornamental design for a toe splint, as shown and described.

**DESCRIPTION**

FIG. 1 is a front perspective view of a toe splint, showing my new design;  
FIG. 2 is a rear perspective view thereof;  
FIG. 3 is a front view thereof;  
FIG. 4 is a rear view thereof;  
FIG. 5 is a left side view thereof;  
FIG. 6 is a right side view thereof;  
FIG. 7 is a top view thereof; and,  
FIG. 8 is a bottom view thereof.

**1 Claim, 8 Drawing Sheets**



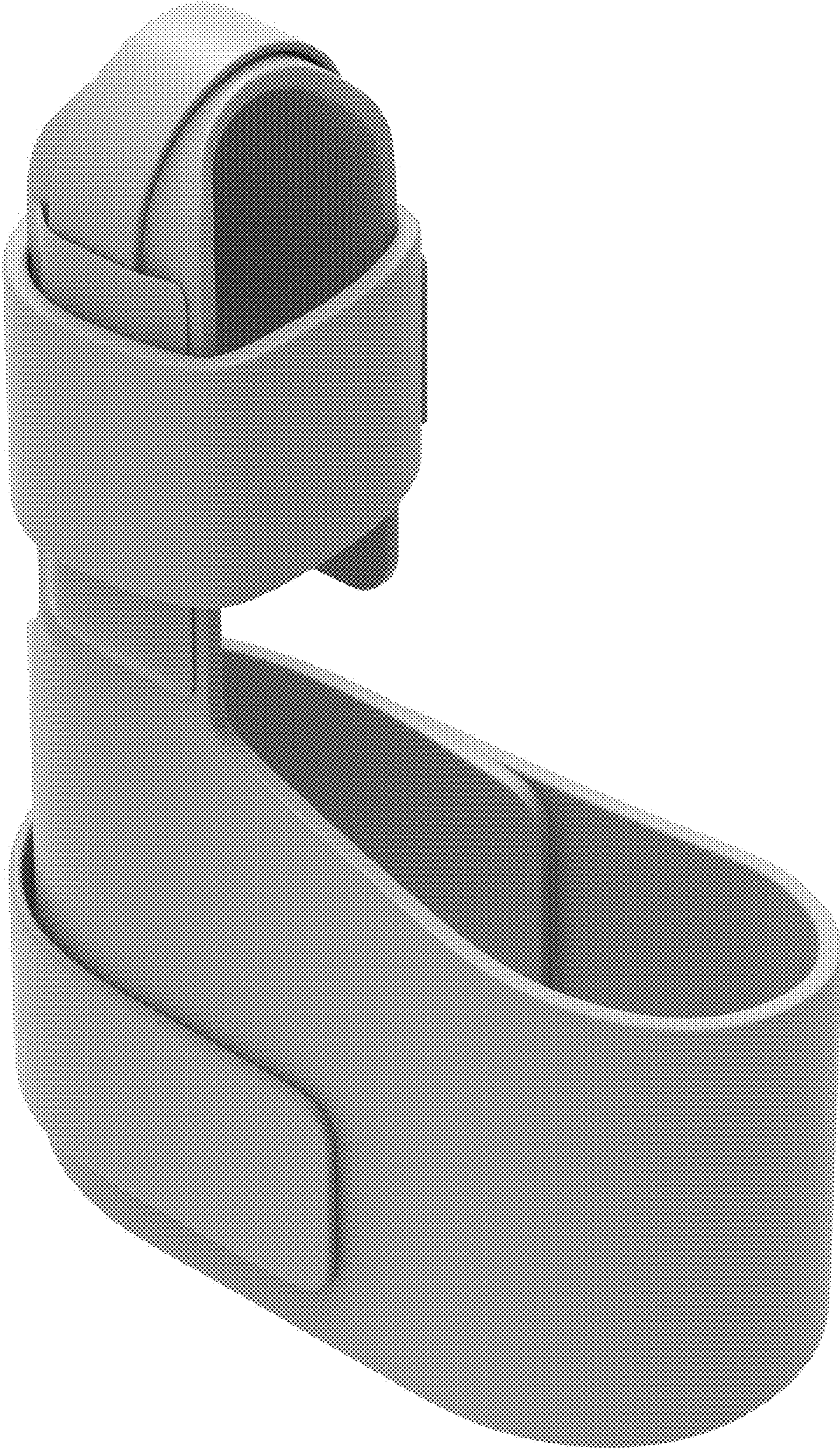


FIG. 1

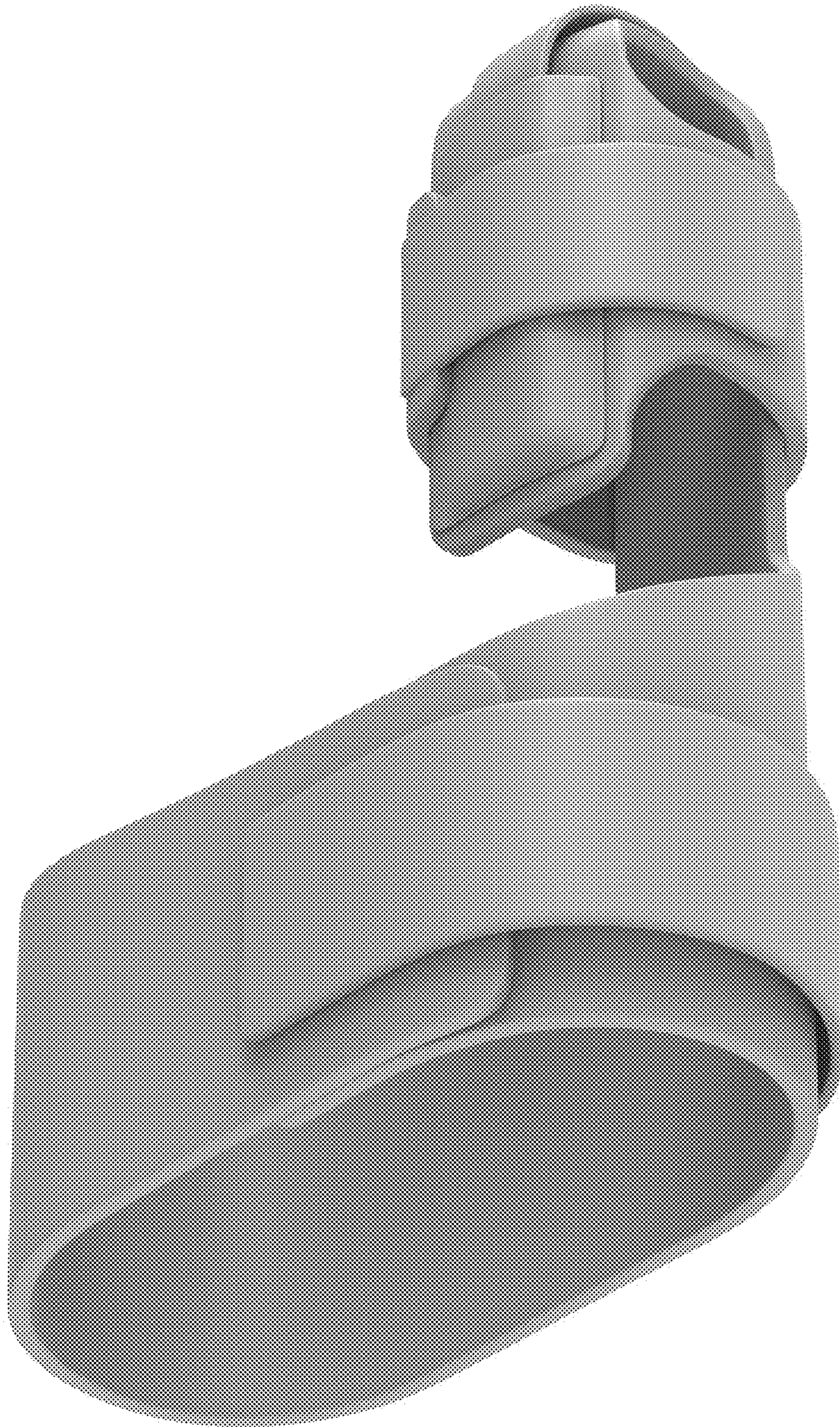


FIG. 2



FIG. 3

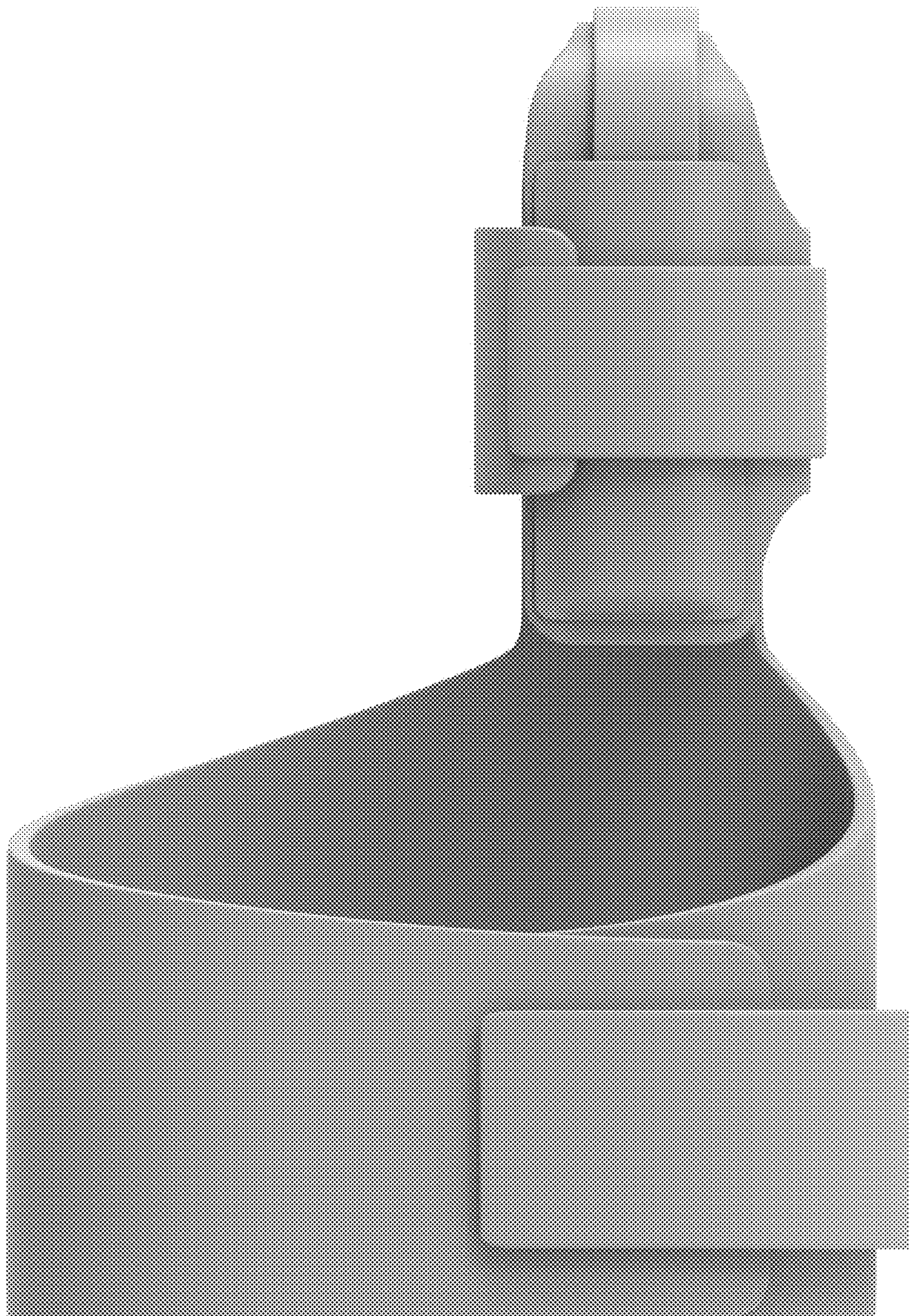


FIG. 4

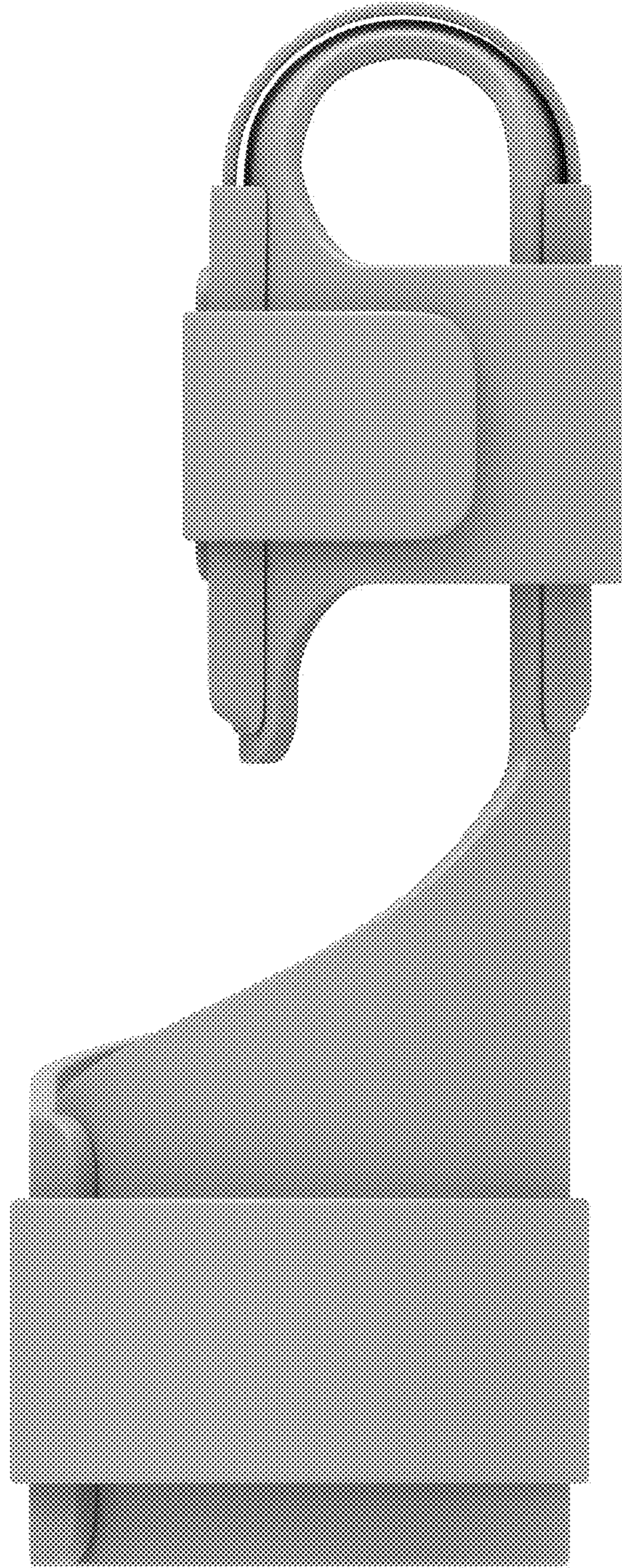


FIG. 5

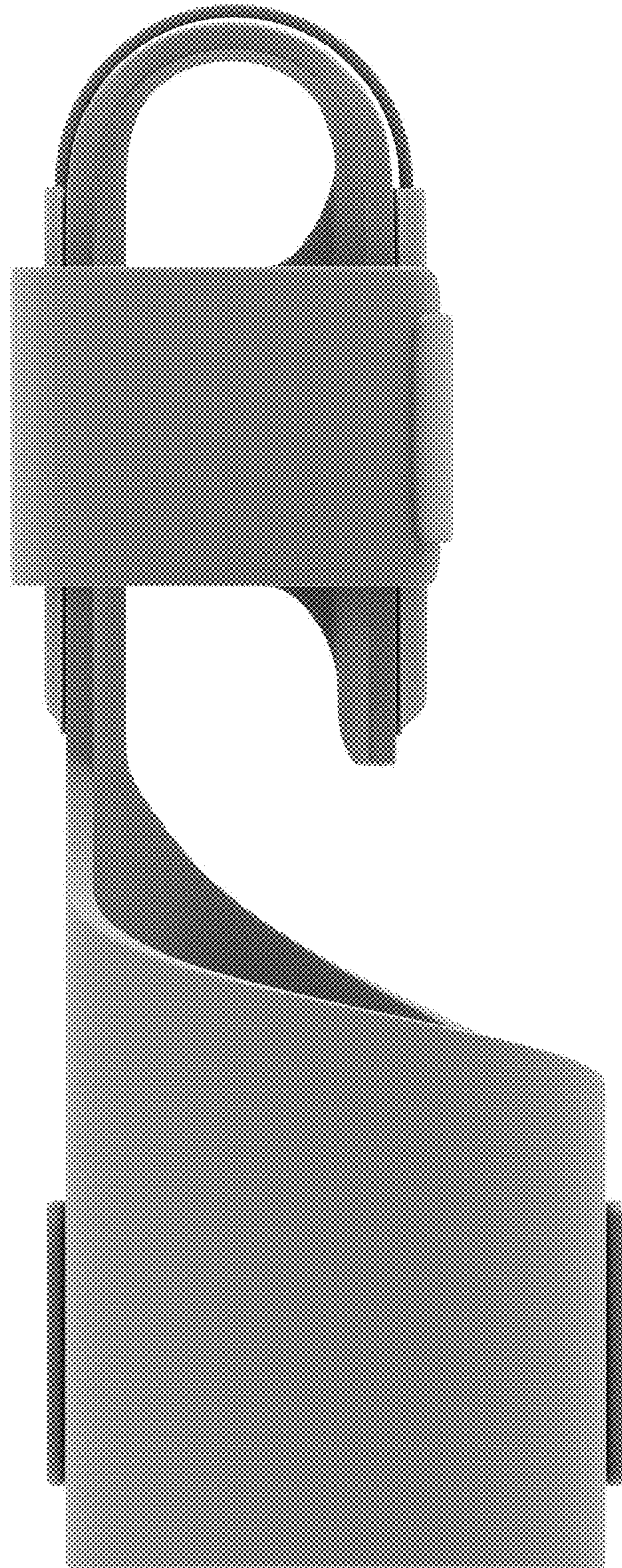


FIG. 6

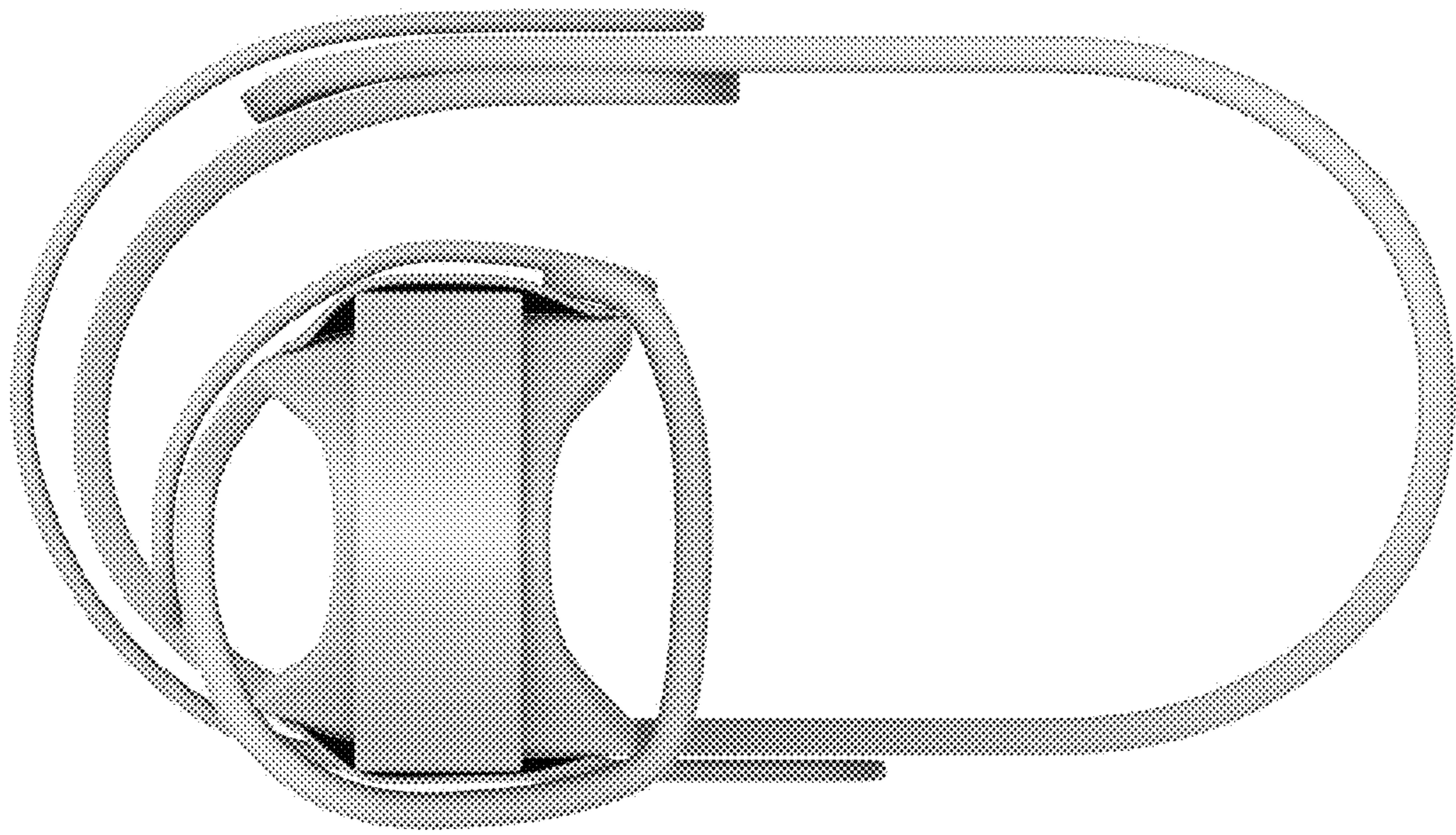


FIG. 7



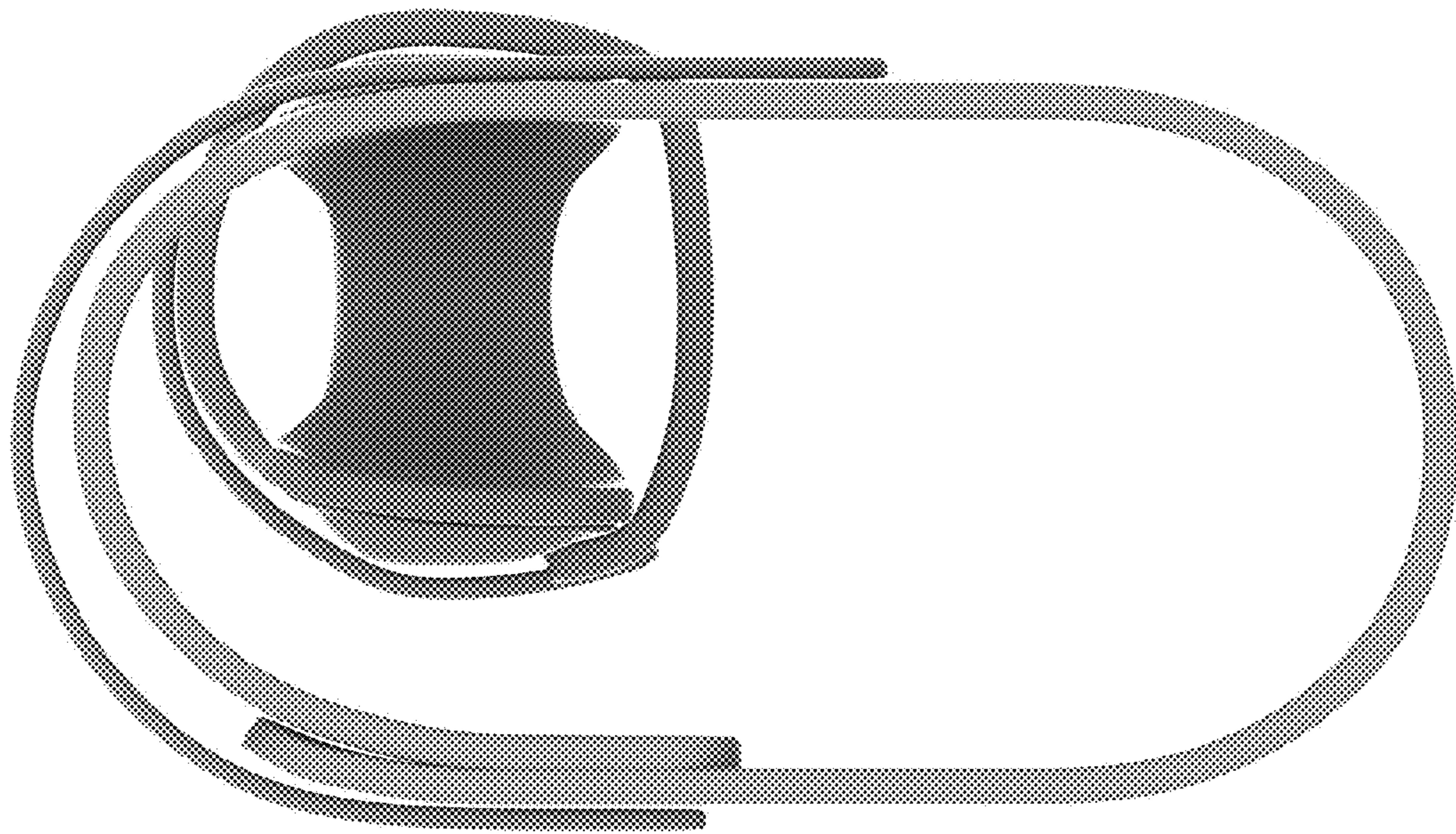


FIG. 8