



US00D983977S

(12) **United States Design Patent** (10) **Patent No.:** **US D983,977 S**
Asad et al. (45) **Date of Patent:** **** Apr. 18, 2023**

(54) **MEDICAL CONSOLE**

(71) Applicant: **Hologic, Inc.**, Marlborough, MA (US)

(72) Inventors: **Kathryn Asad**, Cary, NC (US); **Mark A. Catron**, Superior, CO (US); **Eric Collins**, Superior, CO (US); **Kenneth F. DeFreitas**, Patterson, NY (US); **David Gilstrap**, Indianapolis, IN (US); **Alan J. Harvey**, Lafayette, CO (US); **Joseph Kapushion**, Erie, CO (US); **Kraig J. Kruger**, Boulder, CO (US); **Henry Landry**, Poughkeepsie, NY (US); **Arnold Oyola**, Northborough, MA (US); **Christian M. Ulm**, Newton, MA (US); **David VandeRiet**, Lafayette, CO (US); **Samantha E. Vish**, Superior, CO (US); **Joseph A. Stand, III**, Holden, MA (US)

(73) Assignee: **Hologic, Inc.**, Marlborough, MA (US)

(**) Term: **15 Years**

(21) Appl. No.: **29/714,886**

(22) Filed: **Nov. 26, 2019**

Related U.S. Application Data

(63) Continuation of application No. 29/644,431, filed on Apr. 17, 2018, now Pat. No. Des. 870,895, which is a continuation of application No. 29/555,808, filed on Feb. 25, 2016, now Pat. No. Des. 816,232, which is a continuation of application No. 29/533,804, filed on Jul. 22, 2015, now Pat. No. Des. 750,787, which is a continuation of application No. 29/504,834, filed on Oct. 9, 2014, now Pat. No. Des. 735,342.

(51) **LOC (14) Cl.** **24-01**

(52) **U.S. Cl.**
USPC **D24/186**

(58) **Field of Classification Search**

USPC D24/107, 158–160, 185, 186, 183, 184,
D24/137, 138

CPC G01N 2223/1016; G01N 2223/301; G01N
2223/031; G01N 2223/419; G01N
23/046; A61B 5/055

See application file for complete search history.

(56) **References Cited**

U.S. PATENT DOCUMENTS

D467,001 S	12/2002	Buczek et al.	
D486,915 S	2/2004	Warschewske et al.	
6,705,474 B1	3/2004	Buczek	
6,821,250 B2 *	11/2004	Mesaros	A61B 8/00 600/437
7,048,242 B2	5/2006	Oddsens, Jr.	
D537,323 S	2/2007	Saez	
7,389,965 B2	6/2008	Oddsens, Jr. et al.	
D577,729 S	9/2008	Derry et al.	
D598,917 S	8/2009	Luber	
D606,202 S	12/2009	Banryu	
D606,548 S	12/2009	Sapper	
D613,866 S	4/2010	Tanaka et al.	

(Continued)

Primary Examiner — Anhdao Doan

(74) *Attorney, Agent, or Firm* — Merchant & Gould P.C.

(57) **CLAIM**

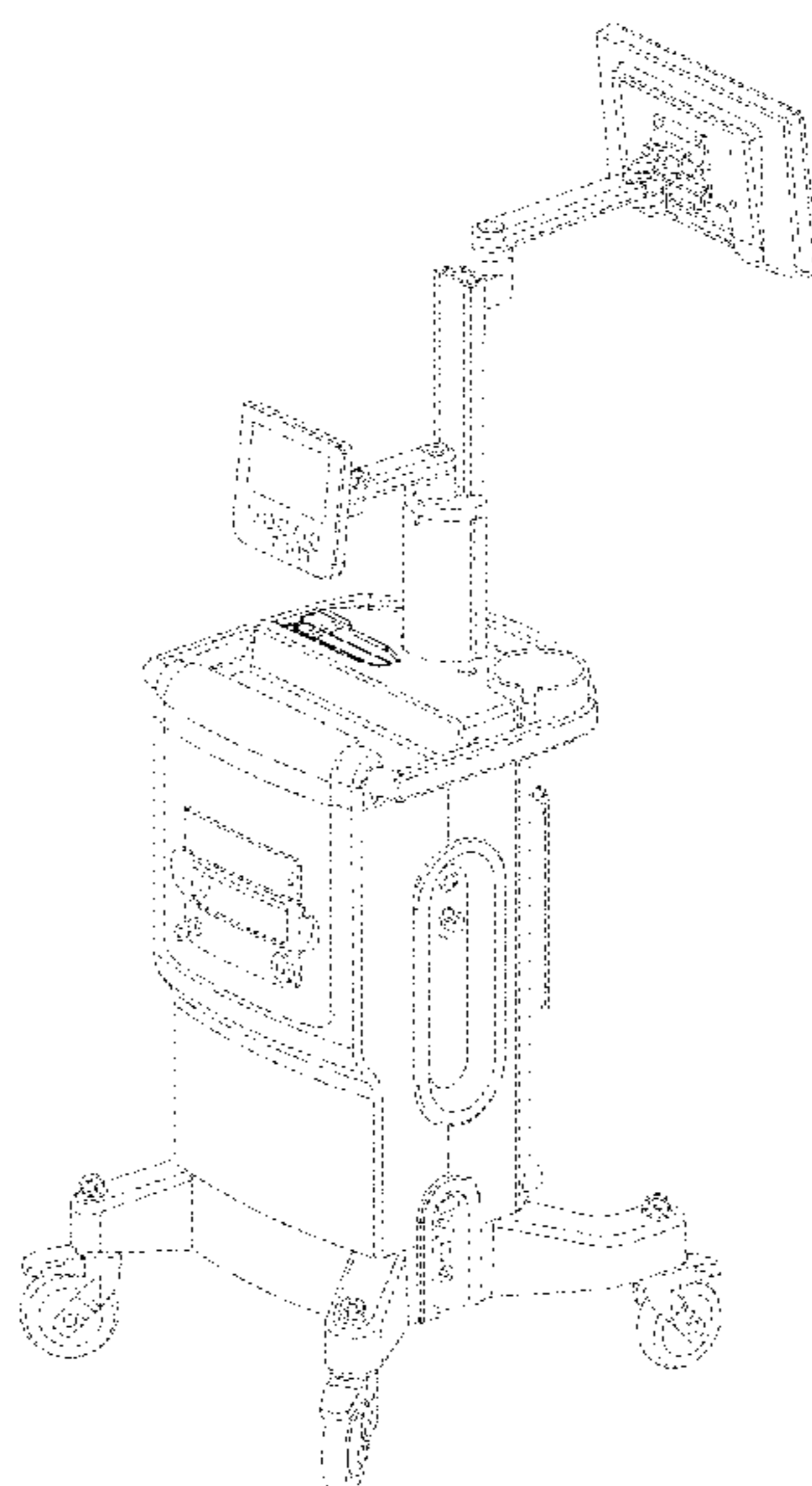
We claim the ornamental design for a medical console, as shown and described.

DESCRIPTION

FIG. 1 is a front perspective view of the medical console; FIG. 2 is a right side elevational view thereof; FIG. 3 is a left side elevational view thereof; FIG. 4 is a rear elevational view thereof; FIG. 5 is a front elevational view thereof; and, FIG. 6 is a top plan view thereof.

The broken lines illustrate portions of the medical console that form no part of the claimed design.

1 Claim, 6 Drawing Sheets



(56)

References Cited

U.S. PATENT DOCUMENTS

7,694,927 B2 4/2010 Chuang
 D625,824 S 10/2010 Brackett et al.
 D626,235 S 10/2010 Smith et al.
 D627,474 S 11/2010 Nordgren et al.
 D631,052 S 1/2011 Hung
 D643,535 S 8/2011 Ross et al.
 D648,855 S 11/2011 Smith et al.
 D652,521 S 1/2012 Ross et al.
 D652,936 S 1/2012 Ross et al.
 D654,503 S 2/2012 Sapper
 D657,470 S 4/2012 Schon et al.
 8,240,684 B2 8/2012 Ross et al.
 D670,813 S 11/2012 Sommer et al.
 D680,650 S 4/2013 Muraoka et al.
 D685,094 S 6/2013 Green et al.
 D692,563 S 10/2013 Naef et al.
 D696,783 S 12/2013 Chung et al.
 D699,852 S 2/2014 Chung et al.

D700,706 S 3/2014 Molter
 D702,842 S 4/2014 Hyde et al.
 D707,360 S 6/2014 Kim et al.
 D708,334 S 7/2014 Kim
 D712,540 S 9/2014 Hansen et al.
 D715,440 S 10/2014 Kim
 D735,342 S 7/2015 Asad et al.
 D750,787 S 3/2016 Asad et al.
 D816,232 S 4/2018 Asad et al.
 D865,182 S * 10/2019 Richter D24/186
 D870,895 S 12/2019 Asad et al.
 D915,603 S * 4/2021 Stalter D24/185
 D936,842 S * 11/2021 Wu D24/186
 2003/0075653 A1 4/2003 Li
 2006/0266909 A1 11/2006 Oddsen, Jr. et al.
 2008/0164395 A1 7/2008 Chang et al.
 2008/0237439 A1 10/2008 Oddsen
 2009/0090831 A1 4/2009 Henning et al.
 2019/0059865 A1 * 2/2019 Oyola A61B 10/0283
 2019/0380681 A1 * 12/2019 Meurer A61B 8/4427

* cited by examiner

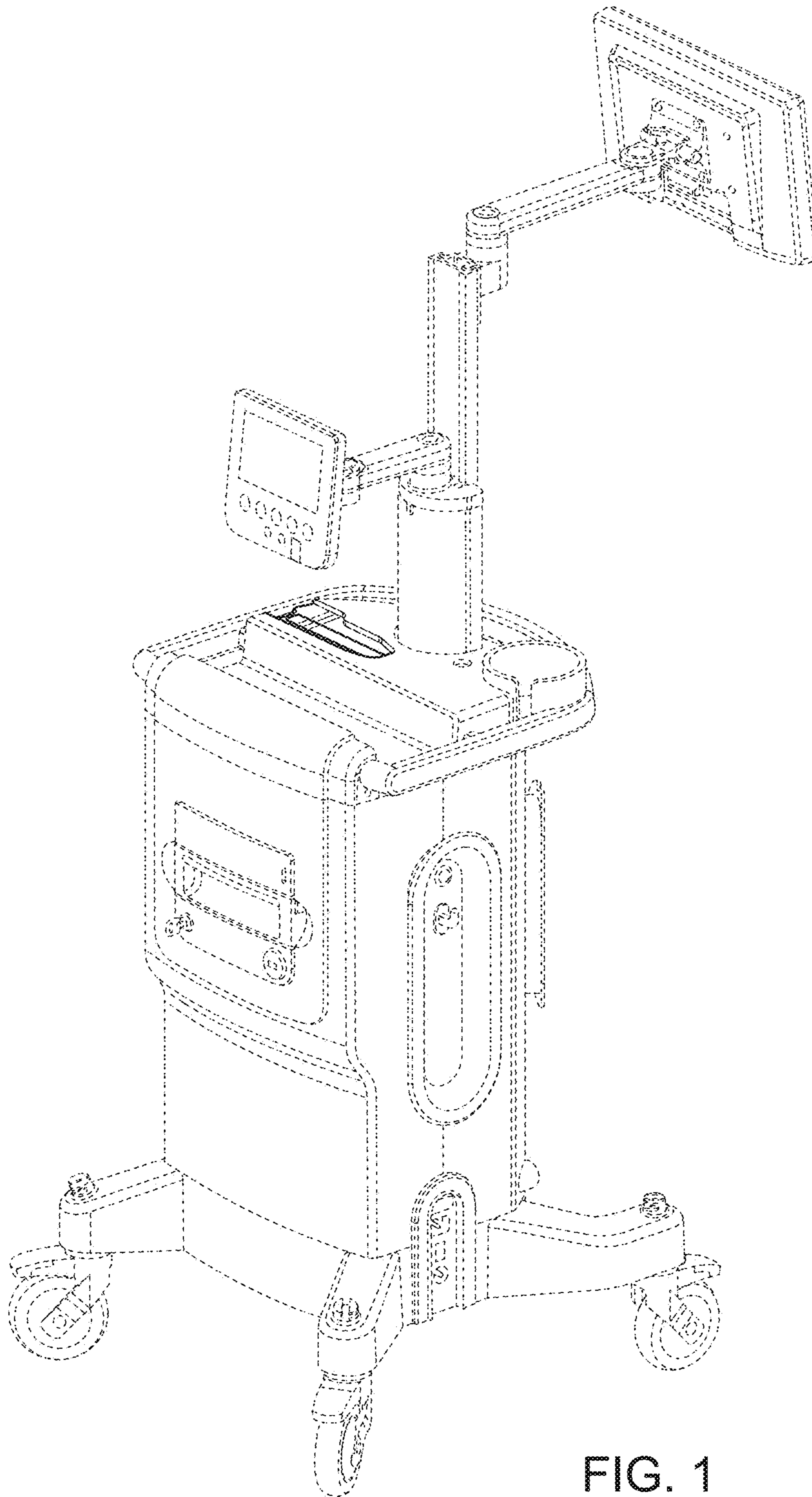


FIG. 1

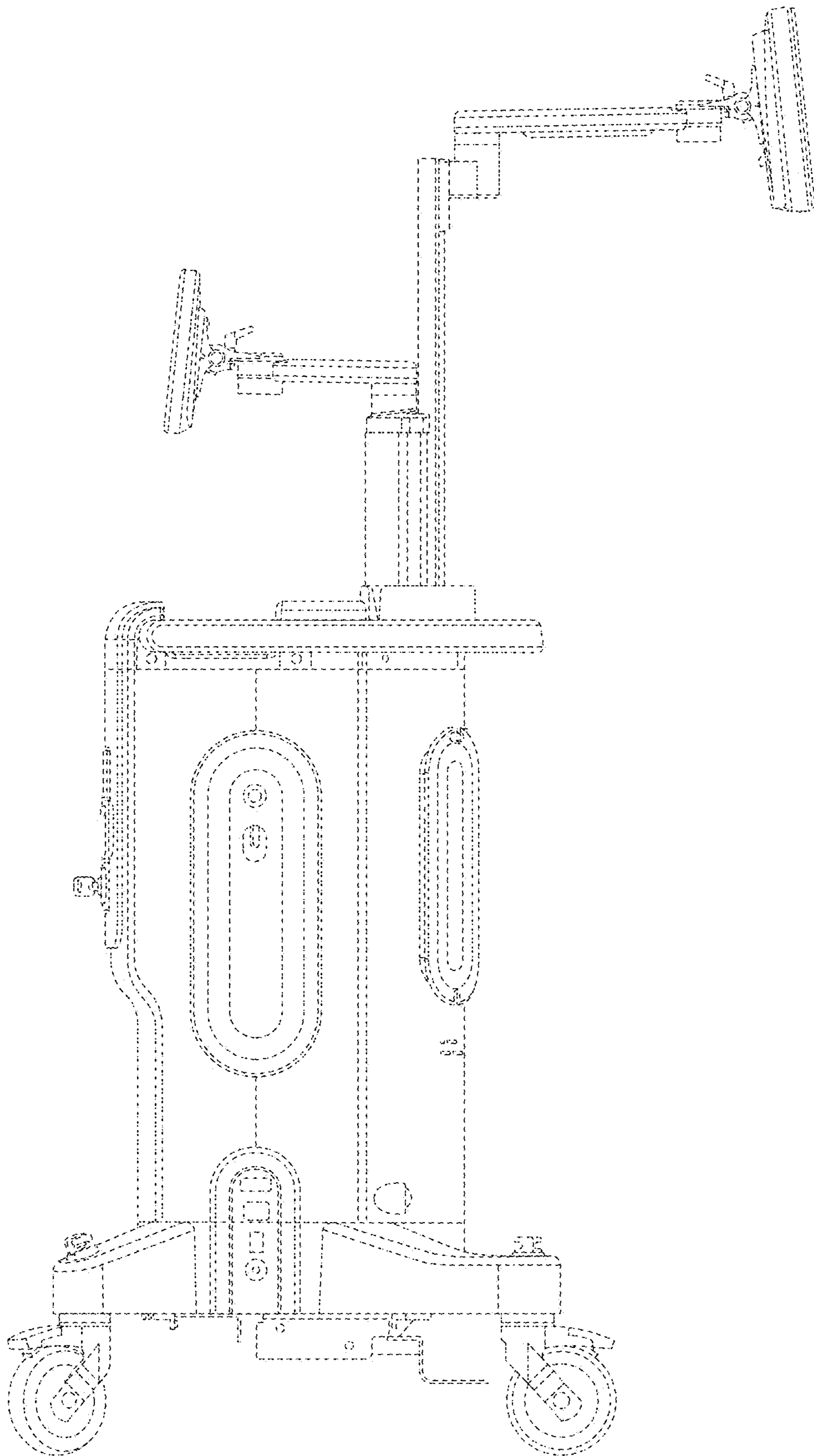


FIG. 2

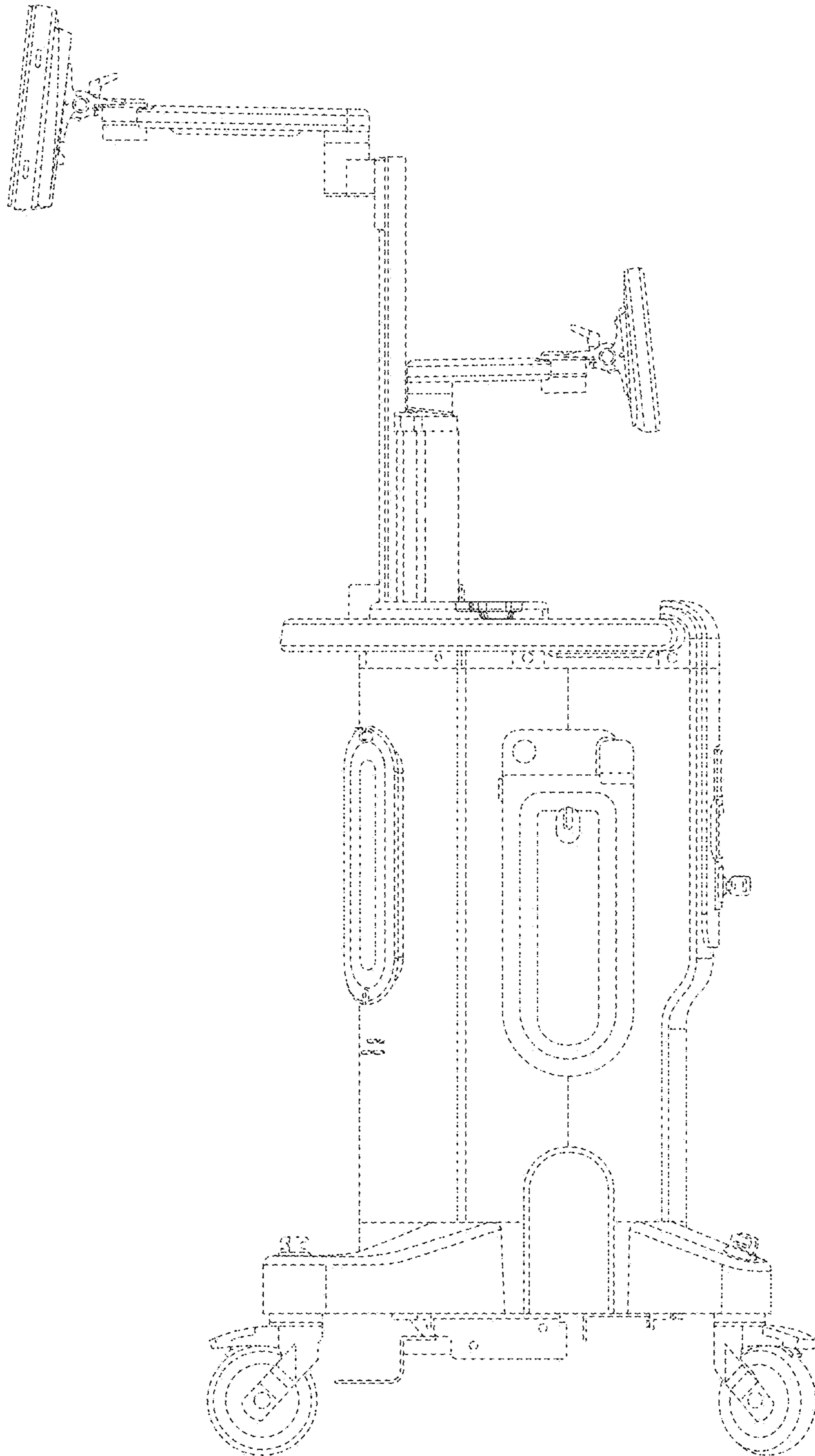


FIG. 3

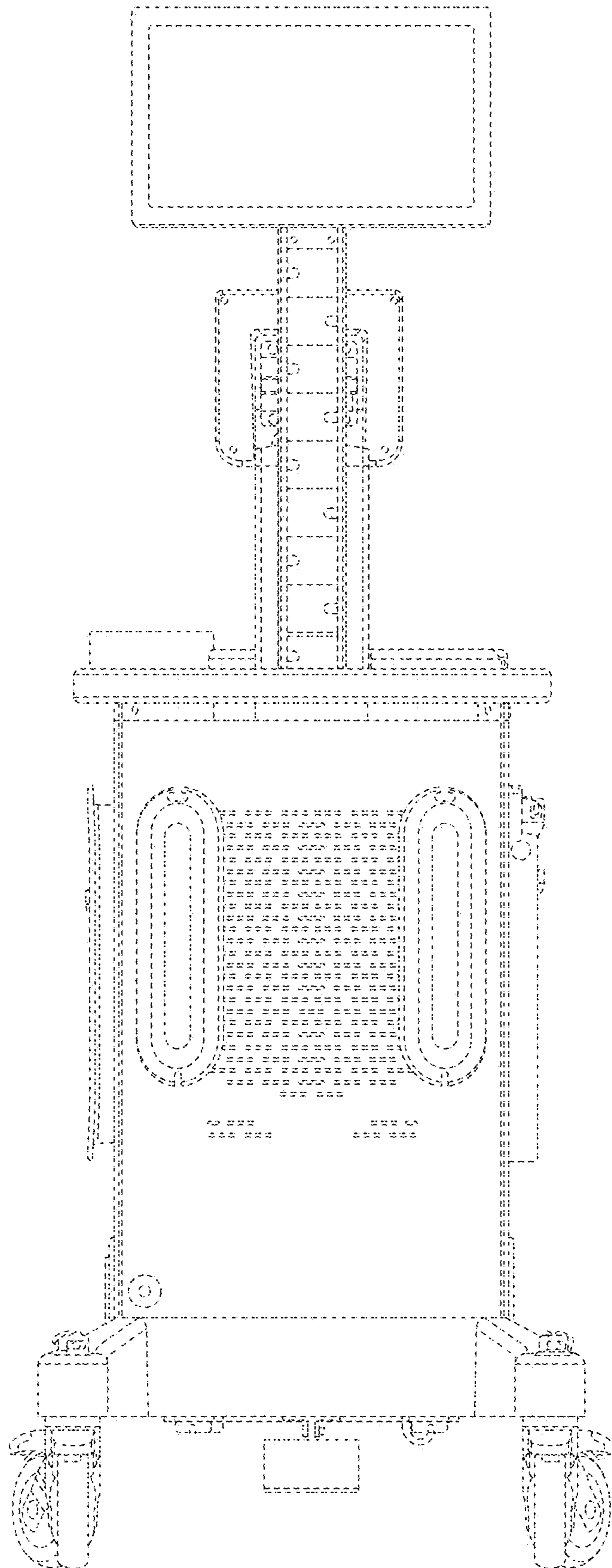


FIG. 4

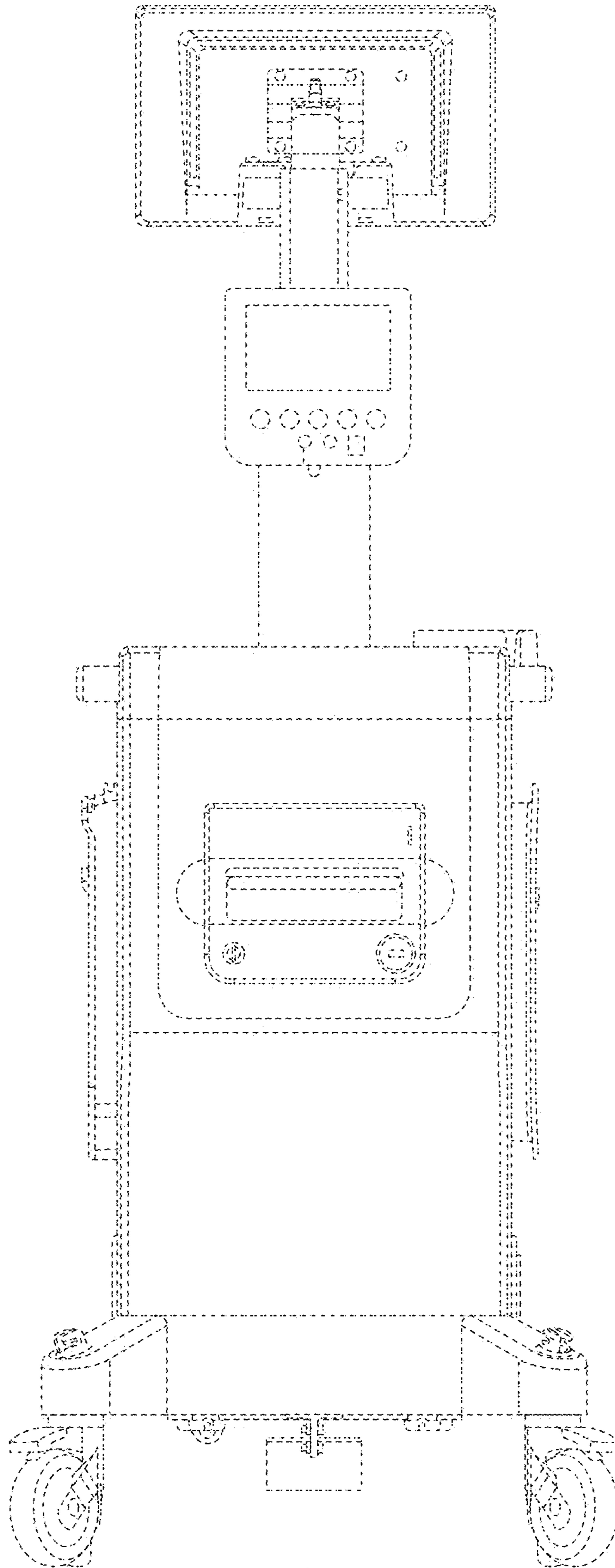


FIG. 5

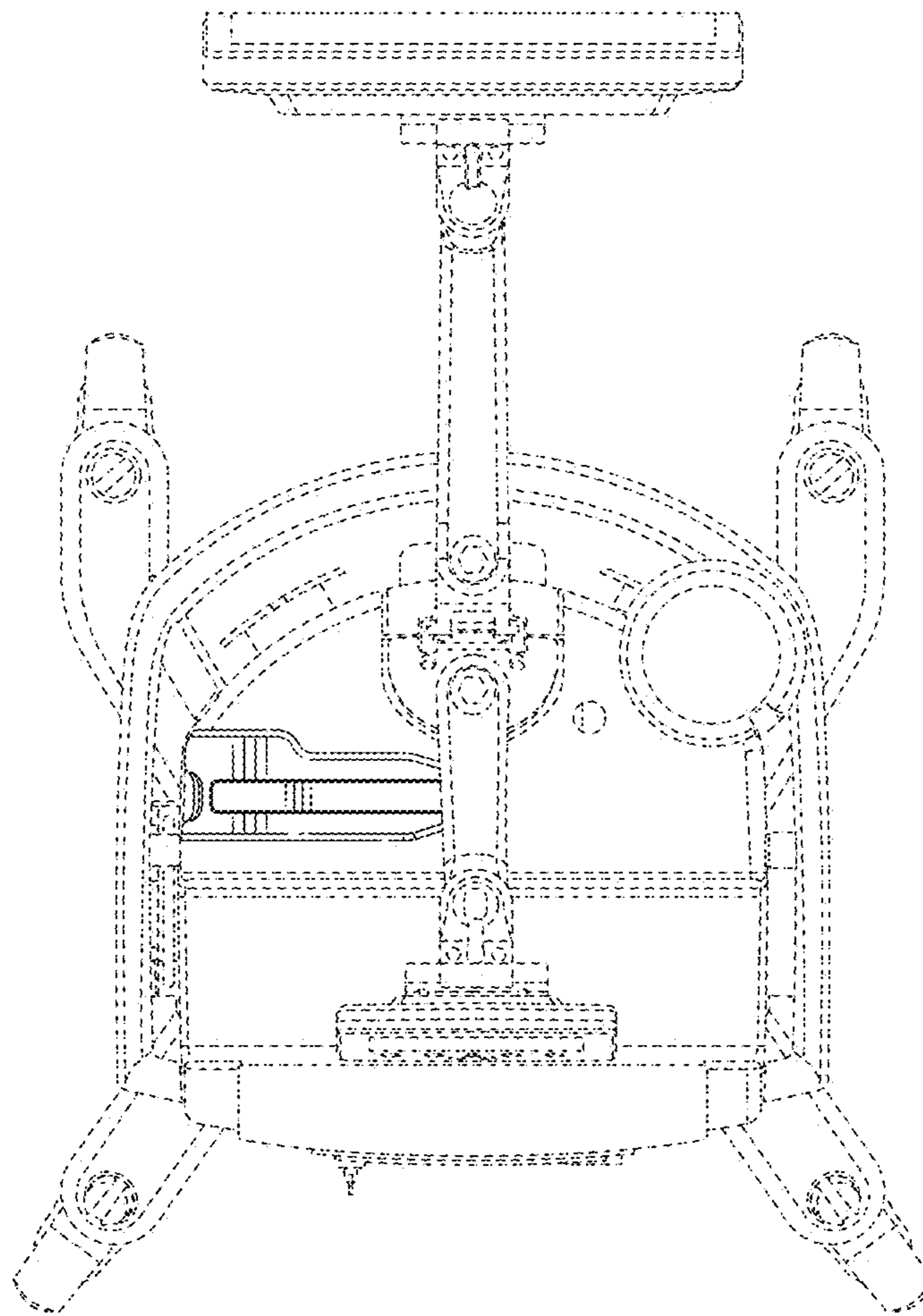


FIG. 6