



US00D983976S

(12) **United States Design Patent**  
**He**

(10) **Patent No.:** **US D983,976 S**

(45) **Date of Patent:** **\*\* Apr. 18, 2023**

(54) **MEDICAL TRAY**

(71) Applicant: **Yuhua He**, Shaoguan (CN)

(72) Inventor: **Yuhua He**, Shaoguan (CN)

(\*\*) Term: **15 Years**

(21) Appl. No.: **29/852,258**

(22) Filed: **Sep. 6, 2022**

(51) **LOC (14) Cl.** ..... **24-02**

(52) **U.S. Cl.**  
USPC ..... **D24/185**

(58) **Field of Classification Search**  
USPC ..... D24/185, 231; D6/355, 406.1; D34/12,  
D34/14

CPC ..... A61B 8/4433; A61G 12/001; B62B 3/10;  
F16M 11/041

See application file for complete search history.

(56) **References Cited**

**U.S. PATENT DOCUMENTS**

D588,272 S *	3/2009	Meiser	.....	D24/185
D626,238 S *	10/2010	Zinnanti	.....	D24/185
D806,340 S *	12/2017	Stalter	.....	D34/14
D854,772 S *	7/2019	Ecklund	.....	D34/12
10,426,261 B2 *	10/2019	Theis	.....	F16M 11/041
D878,068 S *	3/2020	Li	.....	D6/355
D894,403 S *	8/2020	Couch	.....	D24/185
D923,180 S *	6/2021	St. Pierre	.....	D24/185
D923,799 S	6/2021	St. Pierre et al.		
D933,835 S	10/2021	St. Pierre et al.		
D948,887 S *	4/2022	Rawl	.....	D6/406.1

2009/0212670 A1\* 8/2009 Bustle ..... A61G 12/001  
312/333

2012/0217710 A1\* 8/2012 Houlihan ..... B62B 3/10  
280/35

2019/0059859 A1\* 2/2019 Pinch ..... A61B 8/4433

\* cited by examiner

*Primary Examiner* — Rhea Shields

(74) *Attorney, Agent, or Firm* — Daniel M. Cohn;  
Howard M. Cohn

(57) **CLAIM**

The ornamental design for a medical tray, as shown and described.

**DESCRIPTION**

FIG. 1 is a perspective view of a medical tray showing my new design;

FIG. 2 is another perspective view thereof;

FIG. 3 is a front elevational view thereof;

FIG. 4 is a rear elevational view thereof;

FIG. 5 is a left side elevational view thereof;

FIG. 6 is a right side elevational view thereof;

FIG. 7 is a top plan view thereof;

FIG. 8 is a bottom plan view thereof;

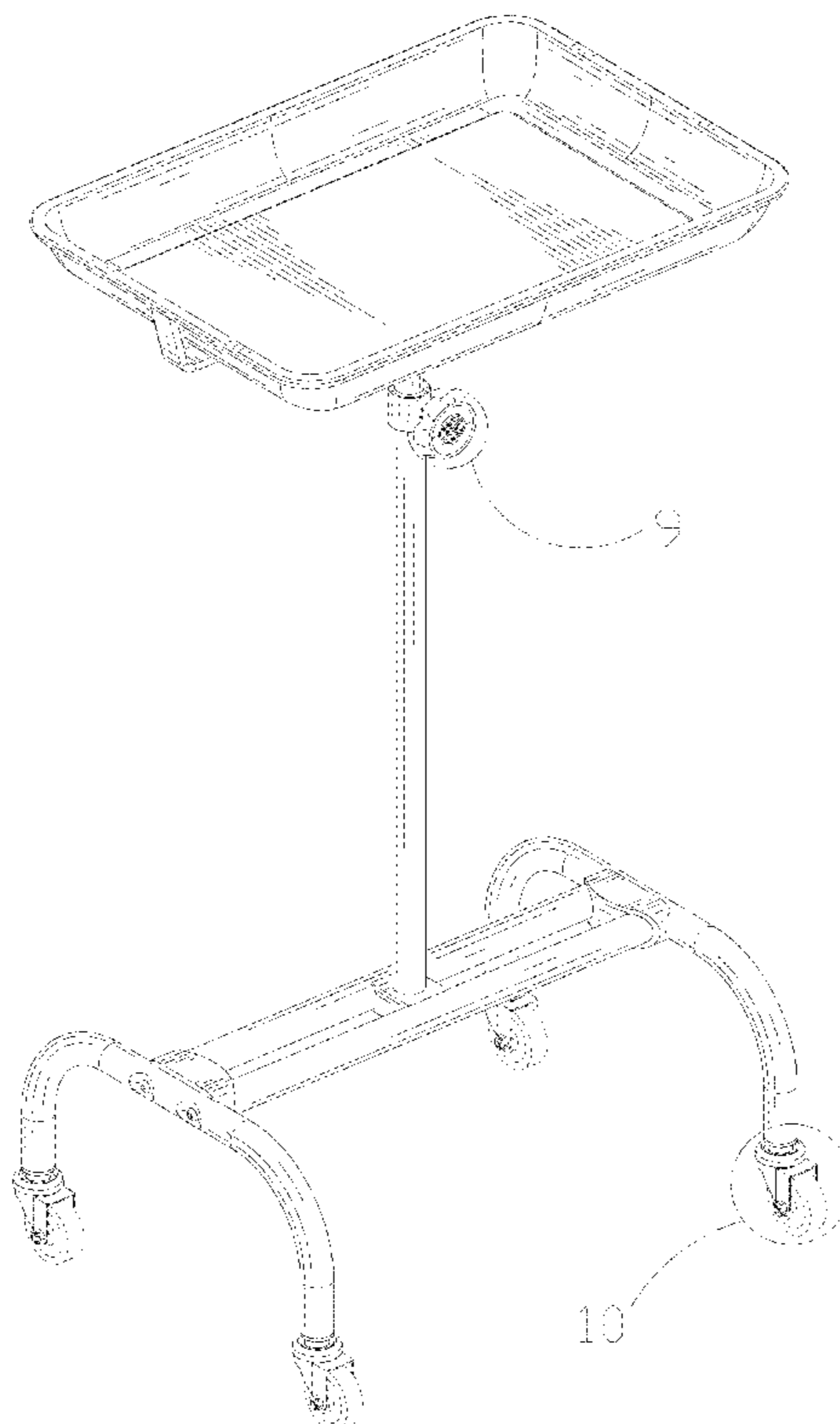
FIG. 9 is an enlarged view of portion 9 shown in FIG. 1; and,

FIG. 10 is an enlarged view of portion 10 shown in FIG. 1.

The dash-dash broken lines in the drawings depict portions of the medical tray that form no part of the claimed design.

The dot-dash broken lines represent boundaries of the enlarged portions and form no part of the claimed design.

**1 Claim, 10 Drawing Sheets**



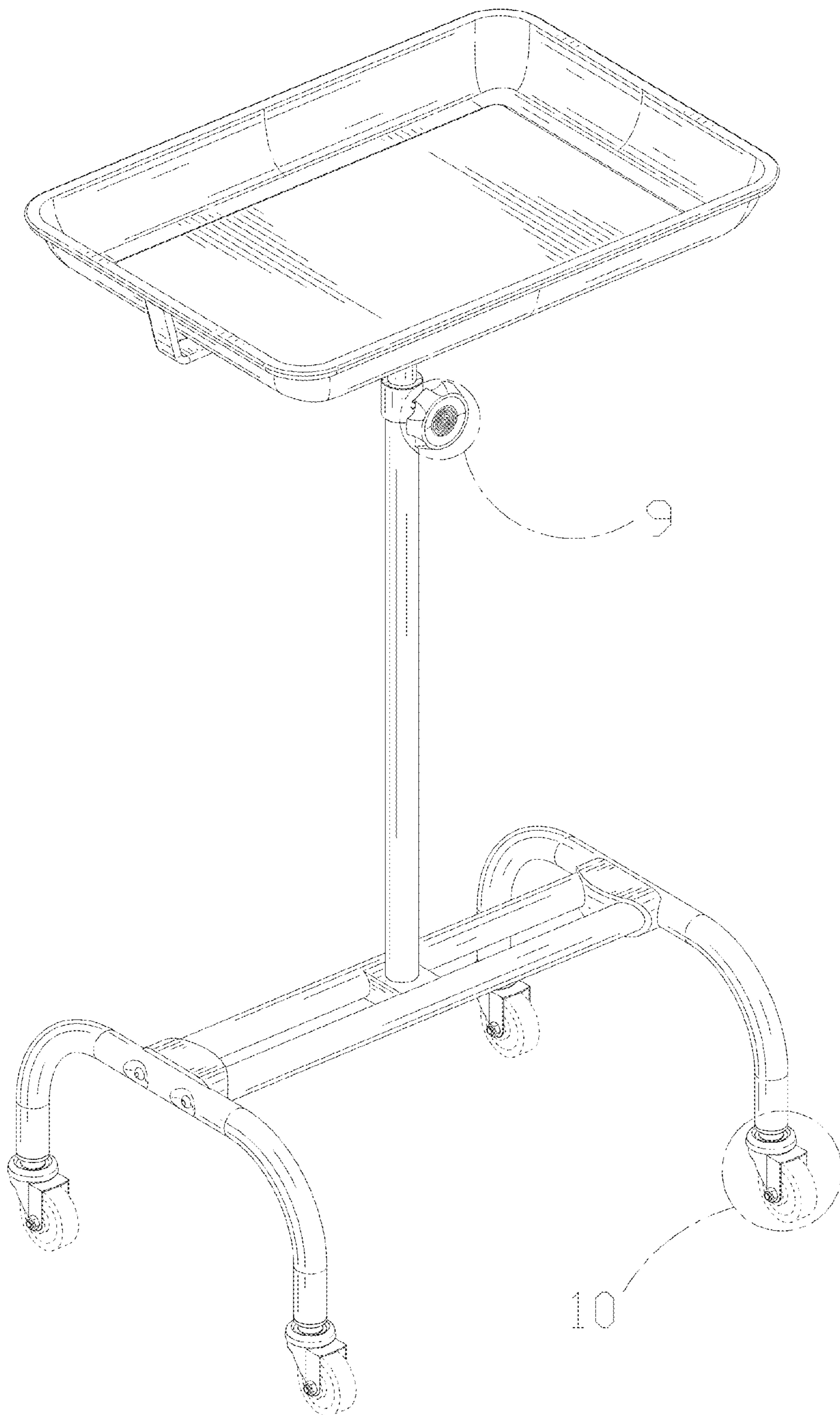


FIG. 1

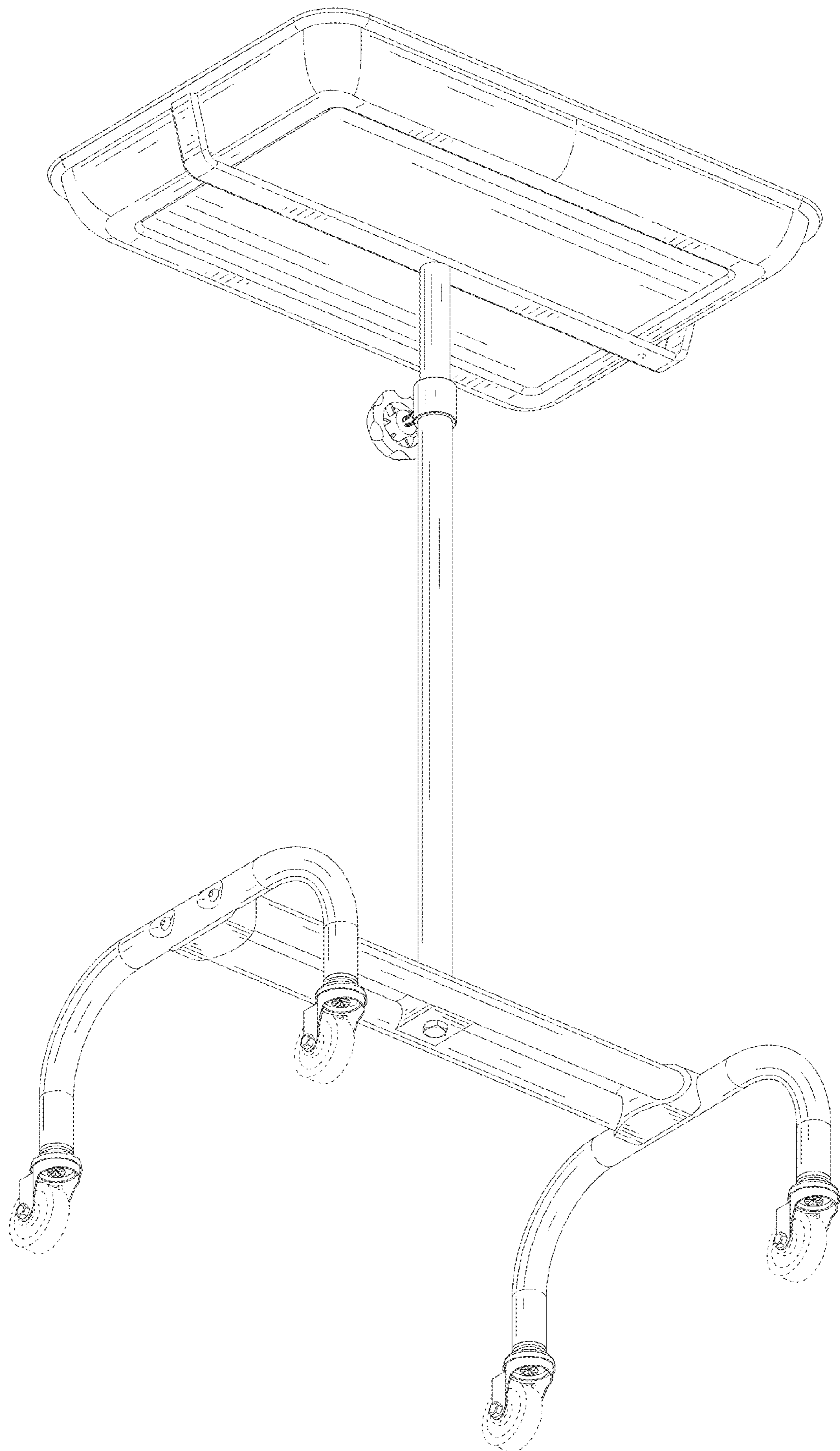


FIG. 2

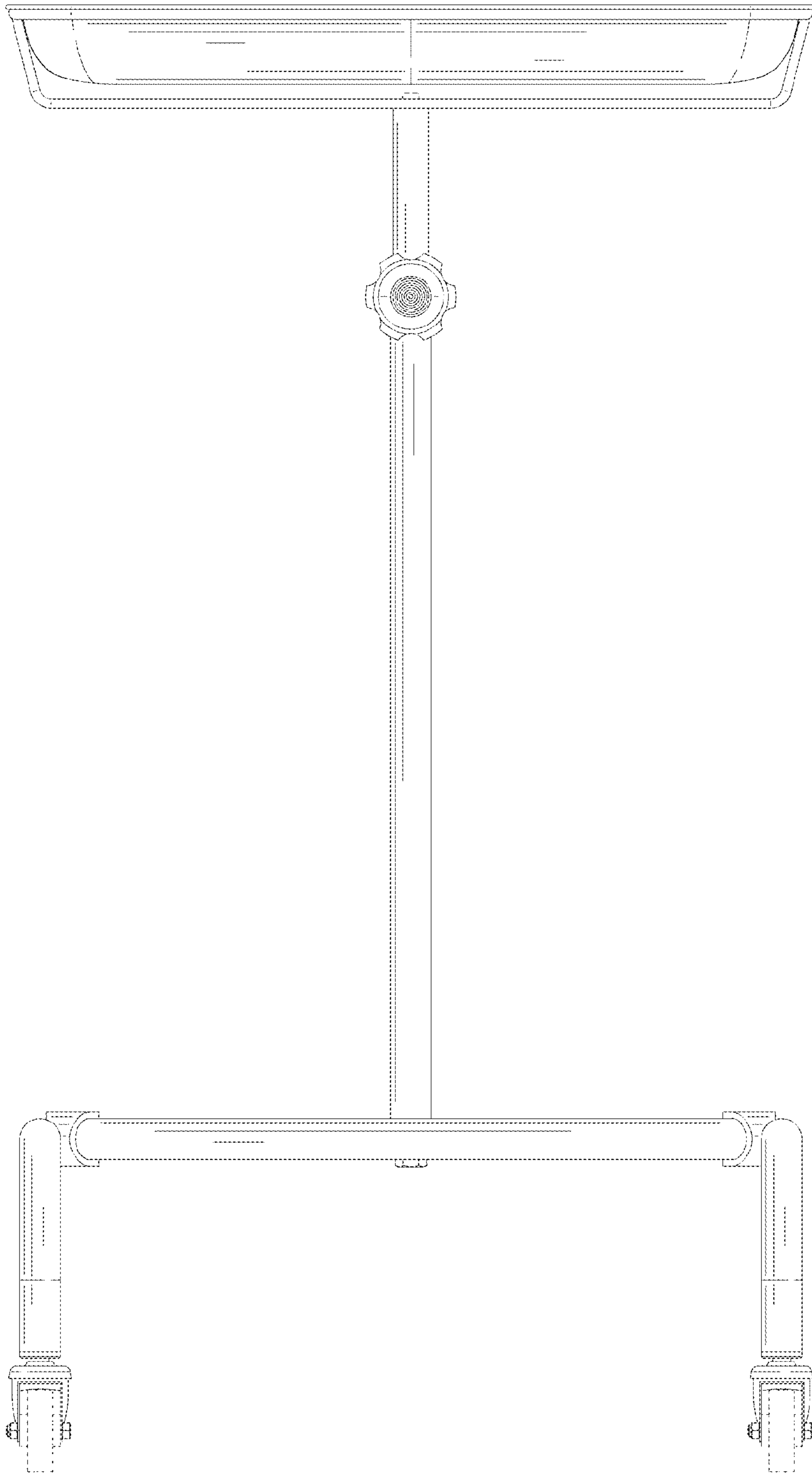


FIG. 3

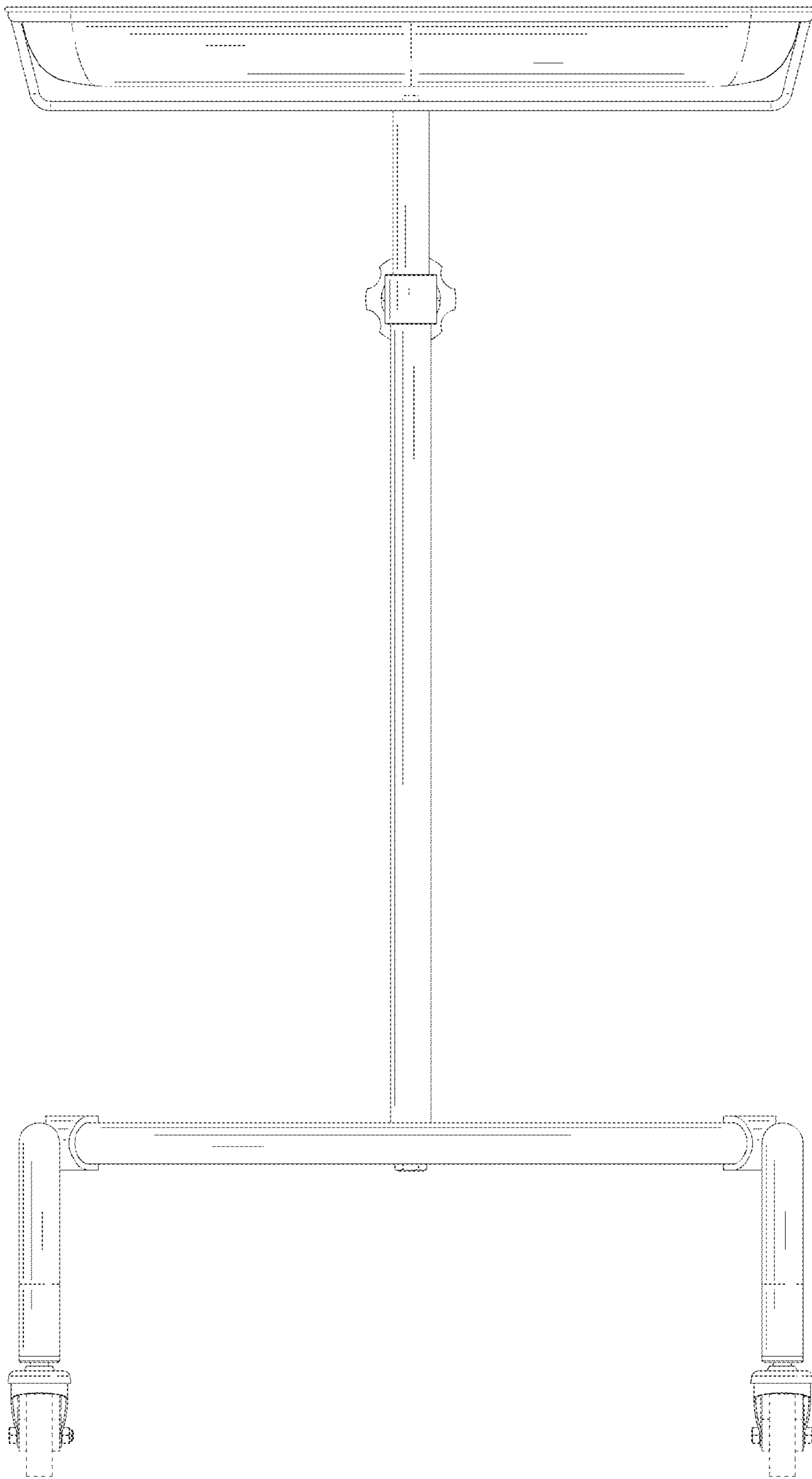


FIG. 4



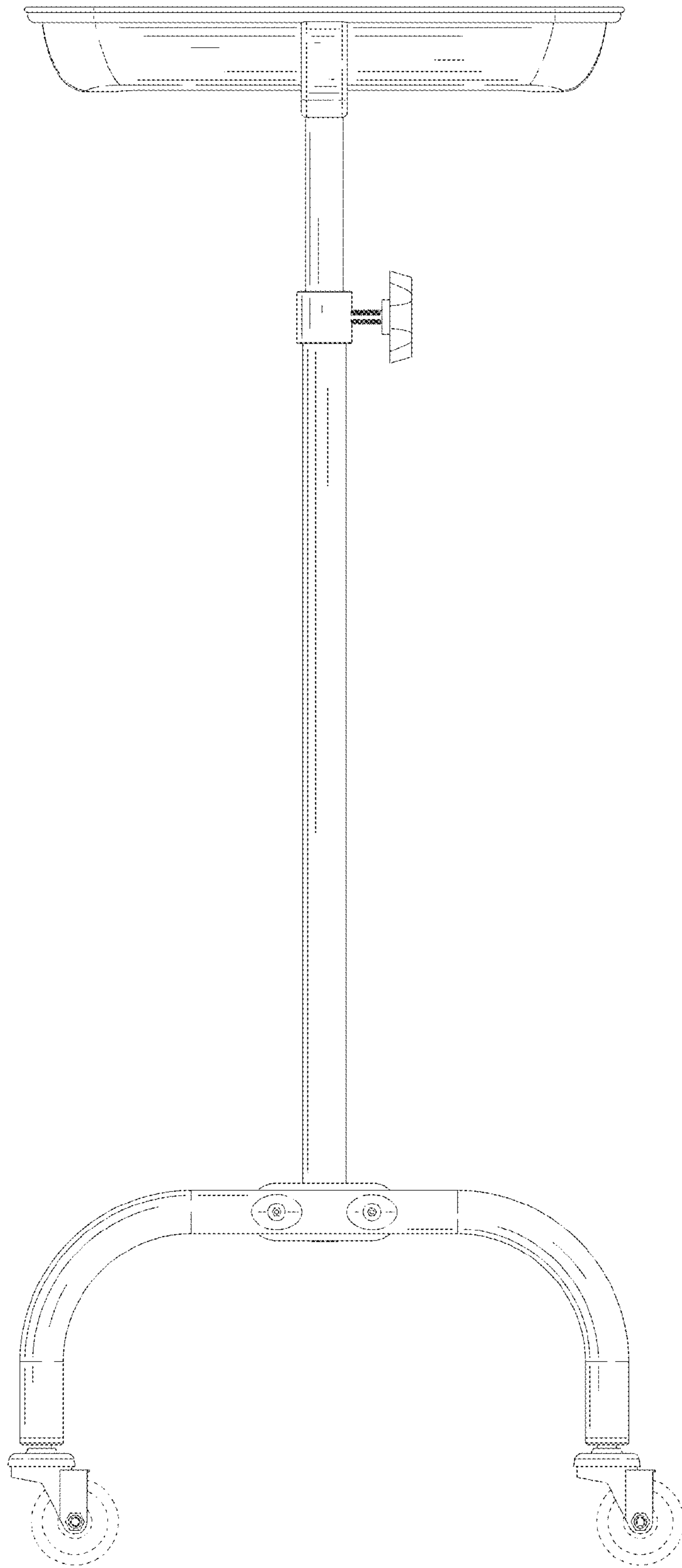


FIG. 5

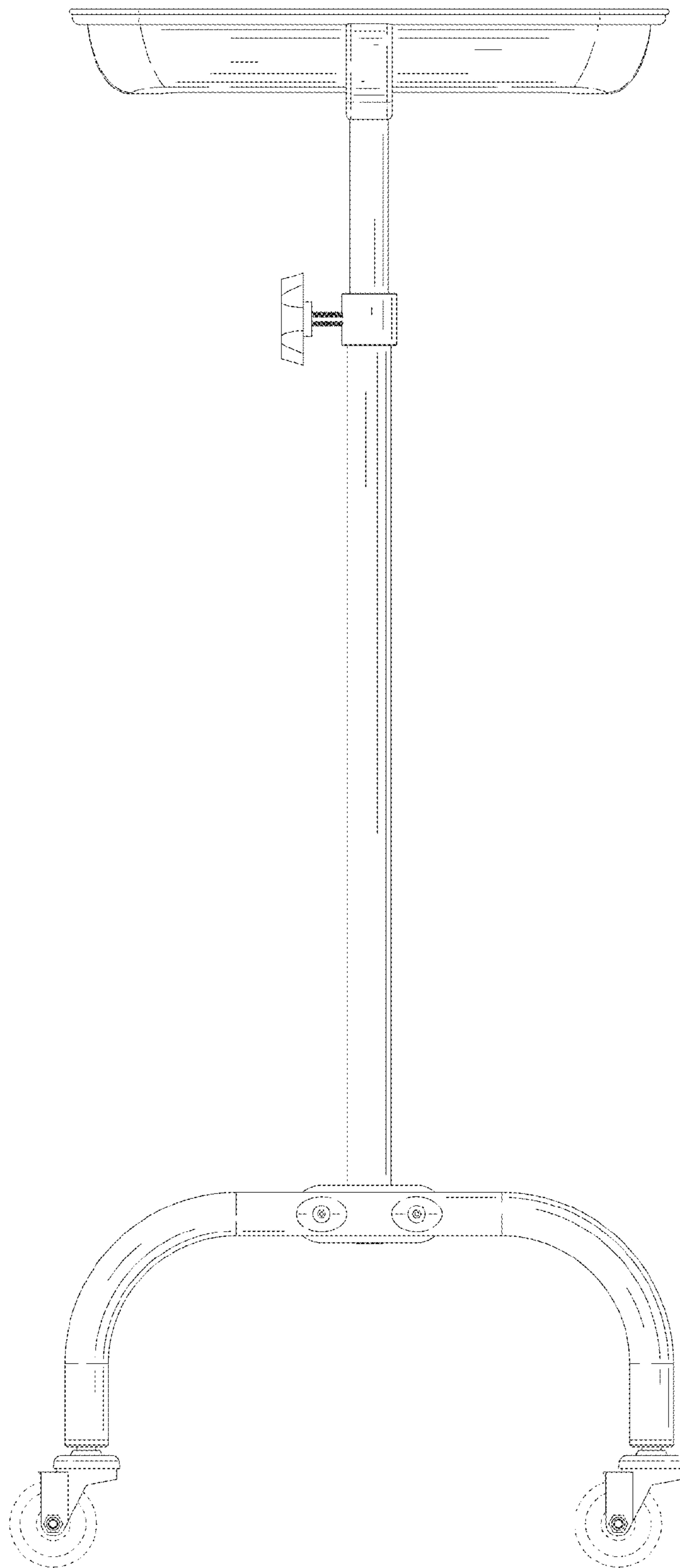


FIG. 6

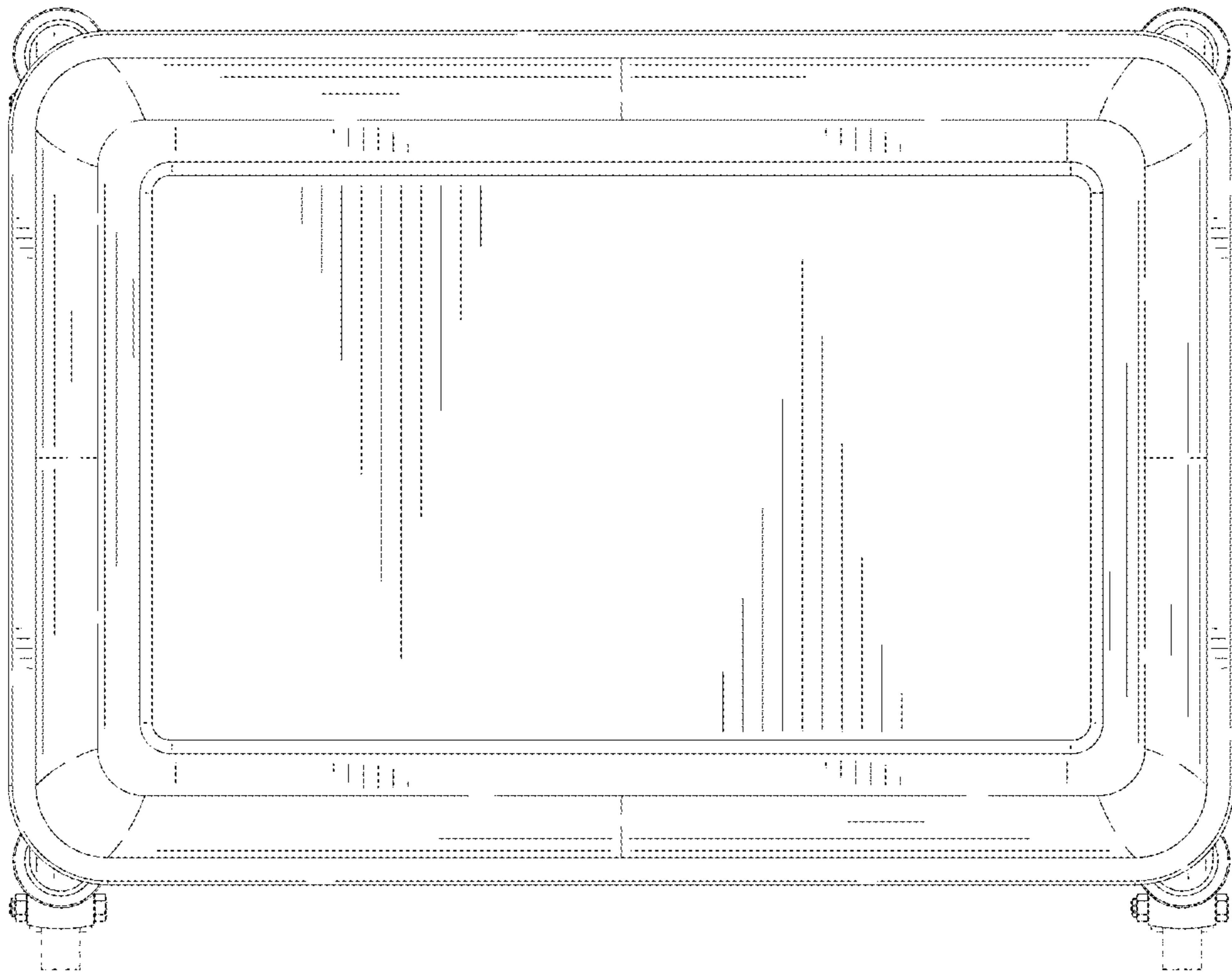


FIG. 7



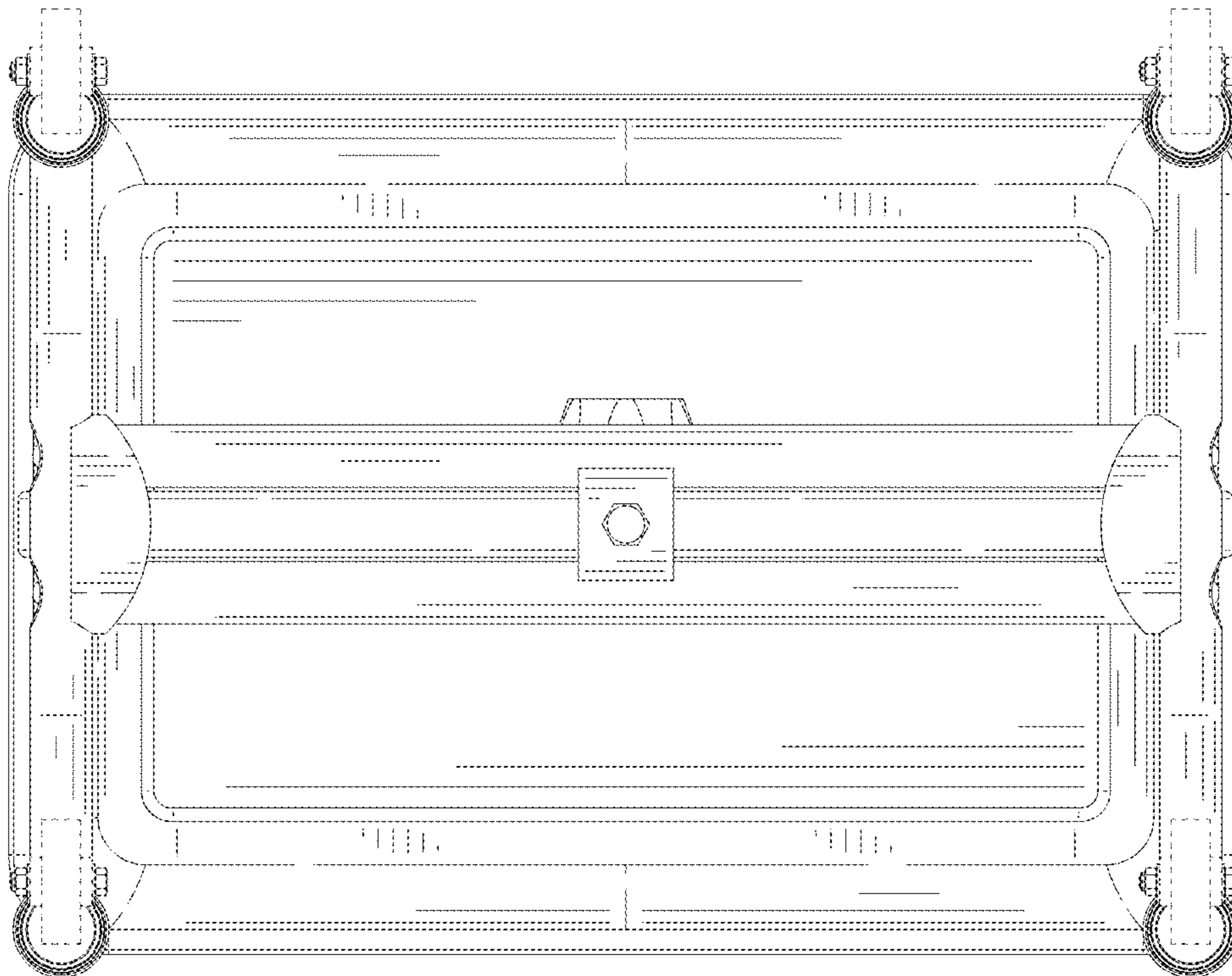


FIG. 8

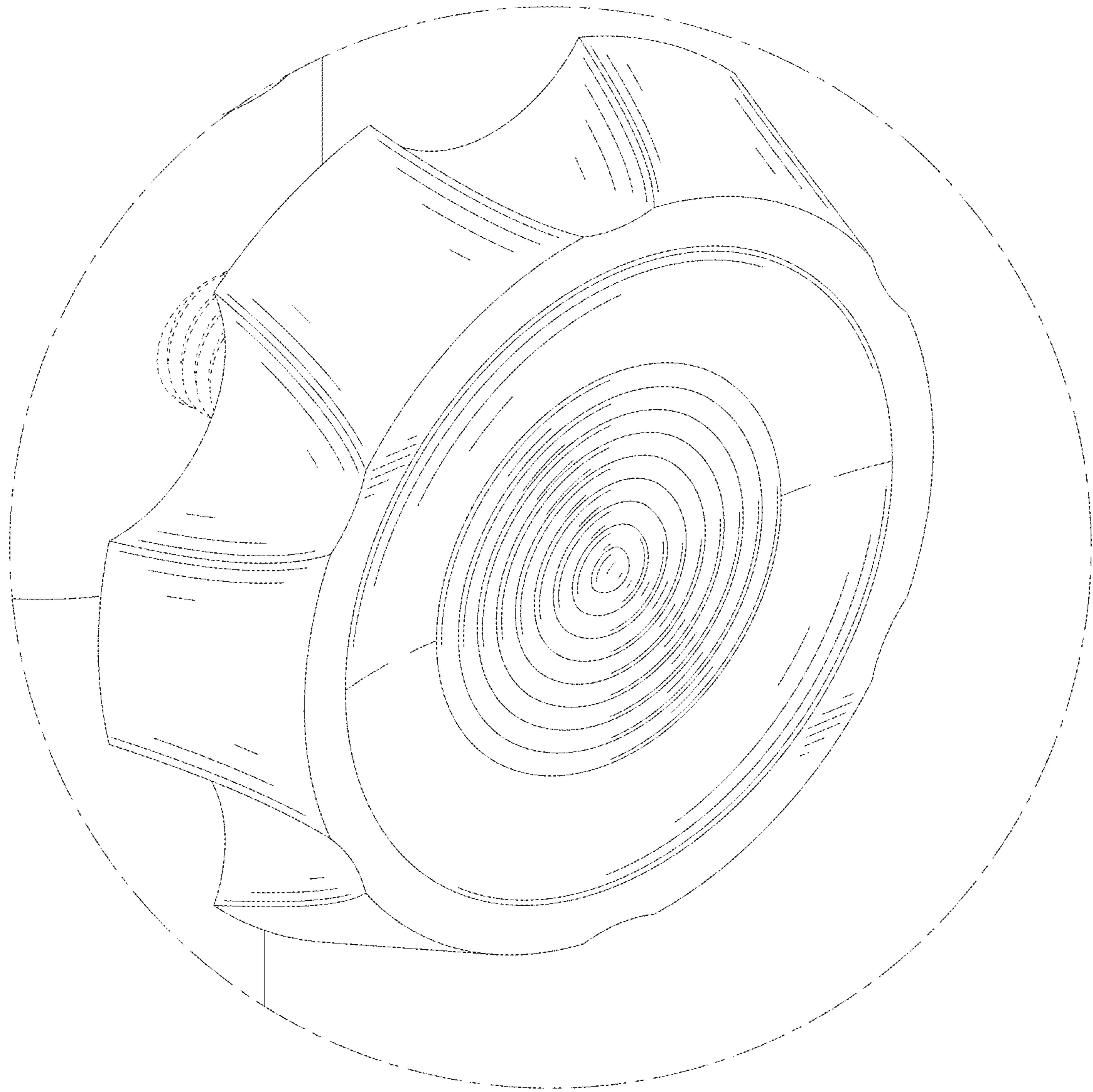


FIG. 9

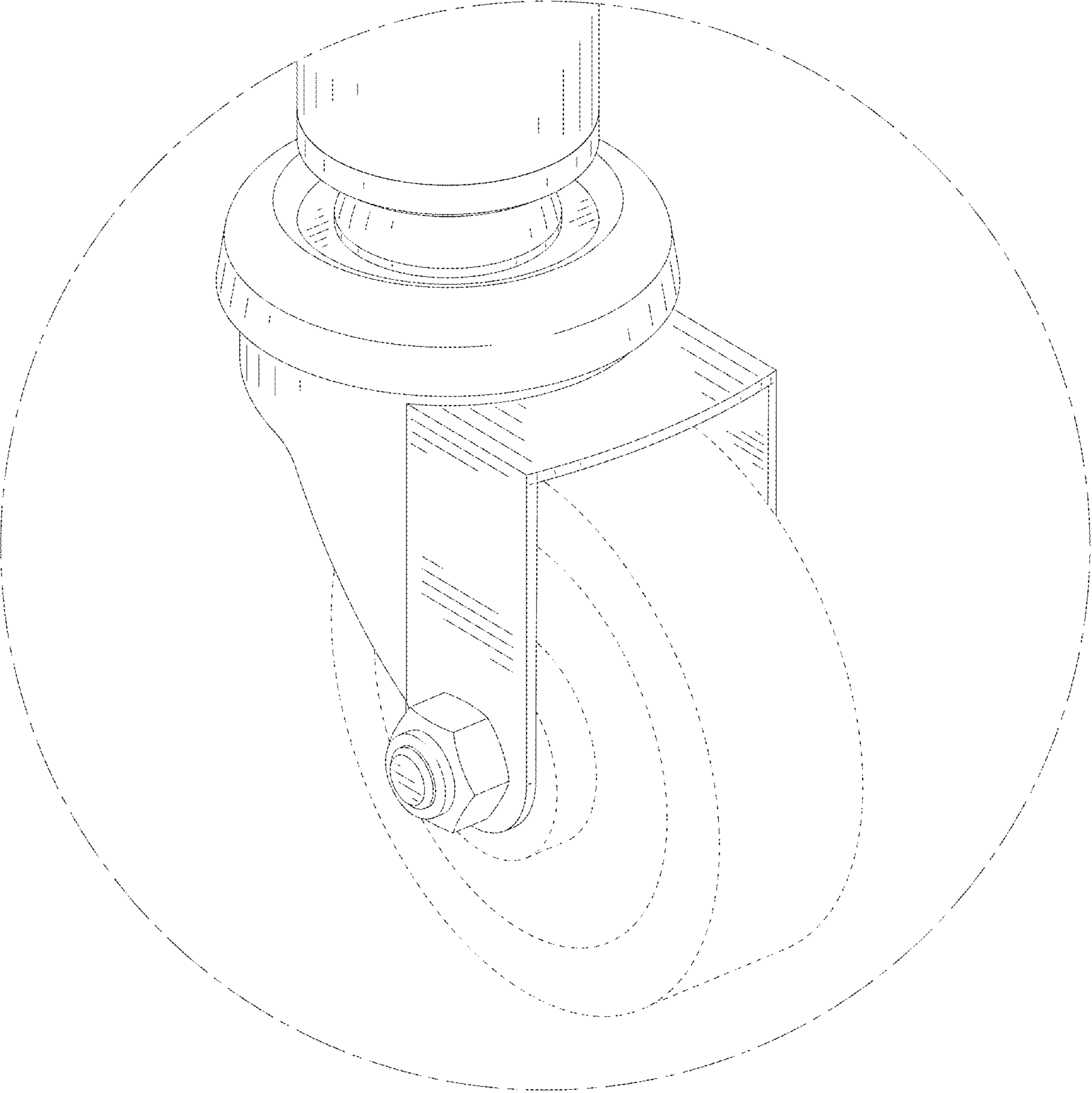


FIG. 10