



US00D983973S

(12) **United States Design Patent** (10) **Patent No.:** **US D983,973 S**
Miller et al. (45) **Date of Patent:** **** Apr. 18, 2023**

(54) **SURGICAL STAPLER**

FOREIGN PATENT DOCUMENTS

(71) Applicant: **Cilag GmbH International**, Zug (CH)

CN 3657881 6/2007
CN 3657882 6/2007

(72) Inventors: **Christopher C. Miller**, Loveland, OH (US); **Frederick E. Shelton, IV**, Hillsboro, OH (US); **Omar J. Vakharia**, Cincinnati, OH (US); **Matthew S. Corbin**, Placentia, CA (US); **Veronica J. Schlegel**, Cincinnati, OH (US); **Joshua Uth**, Mason, OH (US); **Nadja K. Briscoe Heller**, Cincinnati, OH (US)

(Continued)

OTHER PUBLICATIONS

Design U.S. Appl. No. 29/781,329.

(Continued)

Primary Examiner — Wan Laymon

(74) *Attorney, Agent, or Firm* — Frost Brown Todd LLP

(73) Assignee: **Cilag GmbH International**, Zug (CH)

(57) **CLAIM**

The ornamental design for a surgical stapler, as shown and described.

(**) Term: **15 Years**

DESCRIPTION

(21) Appl. No.: **29/781,330**

FIG. 1 is a top perspective view of a surgical stapler, showing our new design; FIG. 2 is a top plan view of the surgical stapler of FIG. 1; FIG. 3 is a bottom plan view of the surgical stapler of FIG. 1;

(22) Filed: **Apr. 29, 2021**

FIG. 4 is an enlarged top plan view of a proximal portion of the surgical stapler of FIG. 1, the portion being indicated by the broken line circle labeled as "FIG. 4" in FIG. 2; and, FIG. 5 is an enlarged bottom plan view of a proximal portion of the surgical stapler of FIG. 1, the portion being indicated by the broken line circle labeled as "FIG. 5" in FIG. 3.

Related U.S. Application Data

(60) Division of application No. 29/672,408, filed on Dec. 5, 2018, now Pat. No. Des. 920,511, which is a (Continued)

(51) **LOC (14) Cl.** **24-02**

(52) **U.S. Cl.**
USPC **D24/145**

(58) **Field of Classification Search**
USPC D24/145; D14/485-495
(Continued)

The surgical stapler features shown in dash-dash broken lines are unclaimed environment and form no part of the claimed design. The dot-dash-dot broken lines are included for the purpose of defining the boundary of the claim, it being understood that the region between the dot-dash-dot broken lines and the dot-dash-dot broken lines themselves form no part of the claimed design. The dot-dot-dash broken lines in the drawings are included as reference lines that define areas of enlarged views, it being understood that the dot-dot-dash broken lines themselves form no part of the claimed design.

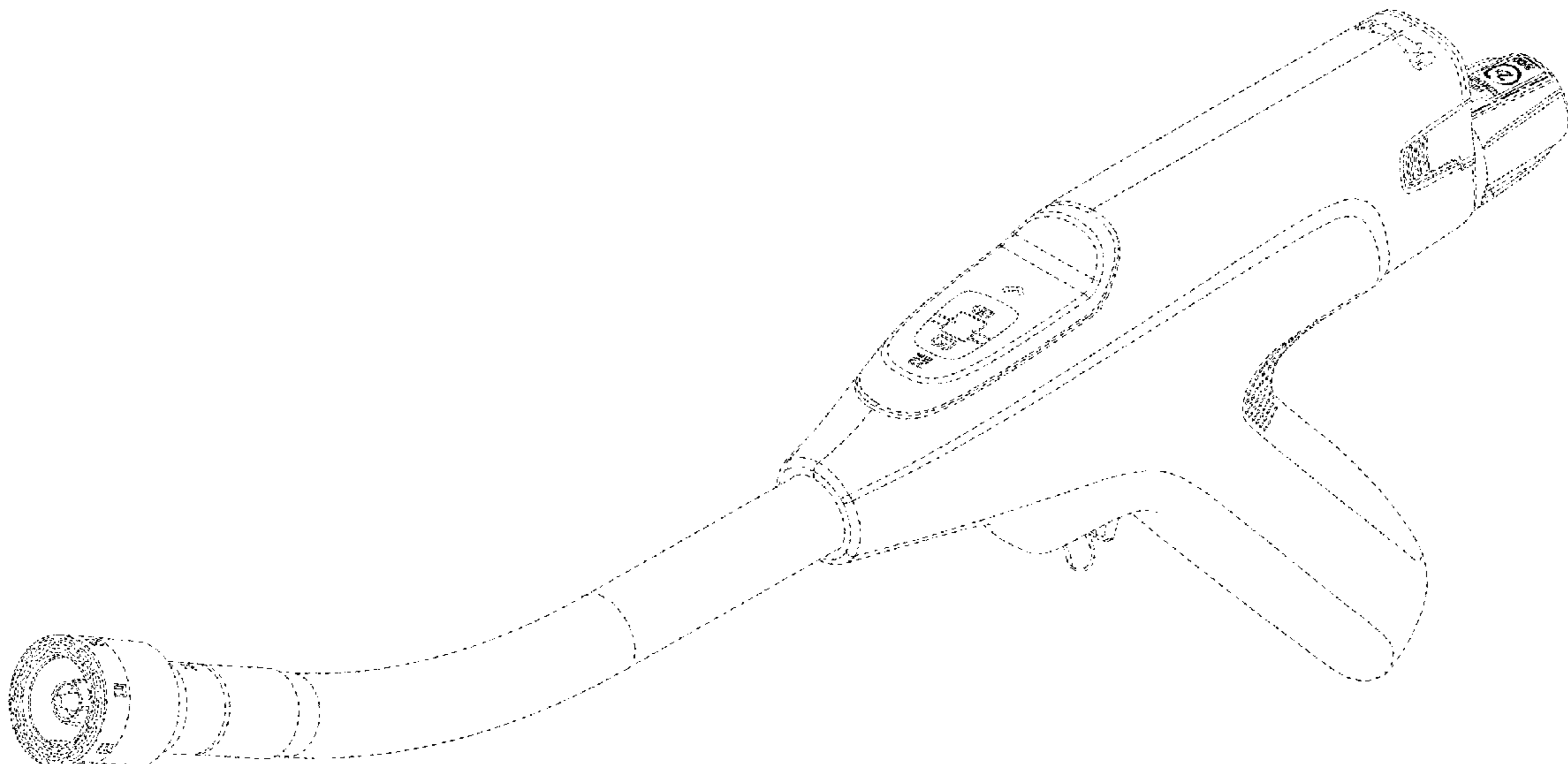
(56) **References Cited**

U.S. PATENT DOCUMENTS

5,205,459 A 4/1993 Brinkerhoff et al.
5,271,544 A 12/1993 Fox et al.

(Continued)

1 Claim, 5 Drawing Sheets



Related U.S. Application Data

division of application No. 29/602,182, filed on Apr. 28, 2017, now Pat. No. Des. 837,373, which is a continuation-in-part of application No. 29/584,327, filed on Nov. 14, 2016, now Pat. No. Des. 830,550, and a continuation-in-part of application No. 29/584,321, filed on Nov. 14, 2016, now Pat. No. Des. 833,608.

(58) **Field of Classification Search**

CPC A61B 17/064; A61B 17/07207; A61B 17/105; A61B 17/115; A61B 17/1155; G06F 3/048; G06F 3/04842; H04L 41/22

See application file for complete search history.

(56)

References Cited

U.S. PATENT DOCUMENTS

5,292,053	A	3/1994	Bilotti et al.
5,333,773	A	8/1994	Main et al.
7,168,604	B2	1/2007	Milliman et al.
7,364,060	B2	4/2008	Milliman
7,546,940	B2	6/2009	Milliman et al.
8,408,441	B2	4/2013	Wenchell et al.
8,453,906	B2	6/2013	Huang et al.
8,613,383	B2	12/2013	Beckman et al.
D700,325	S	2/2014	Nalagatla et al.
8,684,252	B2	4/2014	Patel et al.
8,746,531	B2	6/2014	Wenchell et al.
8,794,497	B2	8/2014	Zingman
9,022,274	B2	5/2015	Penna
9,038,882	B2	5/2015	Racenet et al.
9,055,942	B2	6/2015	Balbierz et al.
9,168,042	B2	10/2015	Milliman
9,186,141	B2	11/2015	Williams
9,351,724	B2	5/2016	Penna
9,597,083	B2	3/2017	Penna
9,757,133	B2	9/2017	Latimer et al.
9,867,619	B2	1/2018	Williams
D830,550	S	10/2018	Miller et al.
D833,010	S	11/2018	Harris et al.
D833,608	S	11/2018	Miller et al.
D837,373	S	1/2019	Miller et al.
D854,152	S	7/2019	Miller et al.
10,405,855	B2	9/2019	Stager et al.
10,478,189	B2	11/2019	Bear et al.
10,492,790	B2	12/2019	DiNardo et al.
10,542,981	B2	1/2020	Miller et al.
D893,718	S	8/2020	Corbin et al.
D893,719	S	8/2020	Corbin et al.
D893,720	S	8/2020	Corbin et al.
D893,721	S	8/2020	Corbin et al.
D894,390	S	8/2020	Miller et al.
D896,962	S	9/2020	Corbin et al.
D905,242	S	12/2020	Corbin et al.
10,980,542	B2	4/2021	Miller et al.
D920,511	S	5/2021	Miller et al.
2007/0060952	A1	3/2007	Roby et al.
2012/0016413	A1	1/2012	Timm et al.

2014/0158747	A1	6/2014	Measamer et al.
2015/0366562	A1	12/2015	Williams
2016/0022267	A1	1/2016	Milliman
2016/0030046	A1	2/2016	Williams
2016/0113653	A1	4/2016	Zingman
2016/0242785	A1	8/2016	Prior
2016/0374665	A1	12/2016	DiNardo et al.
2016/0374669	A1	12/2016	Overmyer et al.
2017/0055997	A1	3/2017	Swayze et al.
2017/0086822	A1	3/2017	Scheib et al.
2017/0258471	A1	9/2017	DiNardo et al.
2017/0281163	A1	10/2017	Shelton, IV et al.
2017/0281169	A1	10/2017	Harris et al.
2017/0281179	A1	10/2017	Shelton, IV et al.
2018/0132853	A1	5/2018	Miller et al.

FOREIGN PATENT DOCUMENTS

JP	S53-148190	A	12/1978
JP	2003-199749	A	7/2003
JP	2007-209751	A	8/2007
JP	2008-212672	A	9/2008
JP	2012-024574	A	2/2012
JP	1481409	S	10/2013
JP	1594729	S	1/2018

OTHER PUBLICATIONS

Design U.S. Pat. No. D. 920,511.
 Design U.S. Pat. No. D. 837,373.
 Design U.S. Pat. No. D. 833,608.
 Design U.S. Pat. No. D. 830,550.
 Japanese Office Action, Notification, dated Mar. 13, 2018, for Application No. 2017-010286, 2 pages.
 Japanese Office Action, Notification, dated Aug. 7, 2018, for Application No. 2017-010287, 1 page.
 Japanese Office Action, Notification, dated Mar. 13, 2018, for Application No. 2017-023542, 2 pages.
 Japanese Office Action, Notification, dated Mar. 13, 2018, for Application No. 2017-023544, 2 pages.
 Japanese Office Action, Notification, dated Mar. 13, 2018, for Application No. 2017-023545, 2 pages.
 Japanese Office Action, Notification, dated Mar. 13, 2018, for Application No. 2017-023652, 2 pages.
 Japanese Office Action, Notification, dated Mar. 13, 2018, for Application No. 2017-023654, 2 pages.
 Japanese Office Action, Notification, dated Mar. 13, 2018, for Application No. 2017-023655, 2 pages.
 Japanese Office Action, Notification, dated Mar. 13, 2018, for Application No. 2017-023656, 2 pages.
 Japanese Office Action, Notification, dated Aug. 7, 2018, for Application No. 2017-023649, 1 page.
 Japanese Office Action, Notification, dated Aug. 7, 2018, for Application No. 2017-023651, 1 page.
 Japanese Office Action, Notification, dated Aug. 7, 2018, for Application No. 2017-023653, 1 page.
 Design U.S. Appl. No. 29/781,329, entitled "Surgical Stapler," filed Apr. 29, 2021.

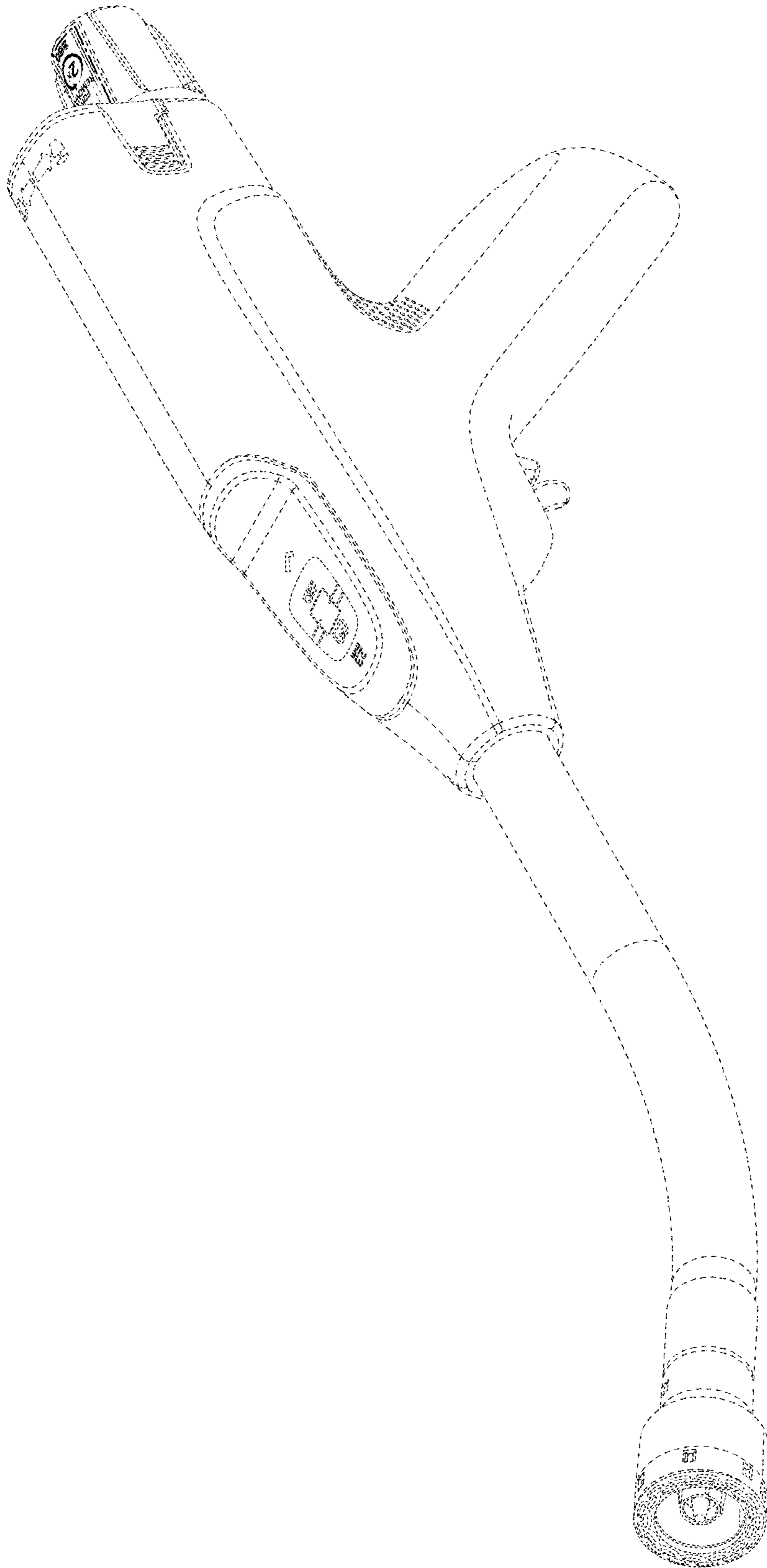


FIG. 1

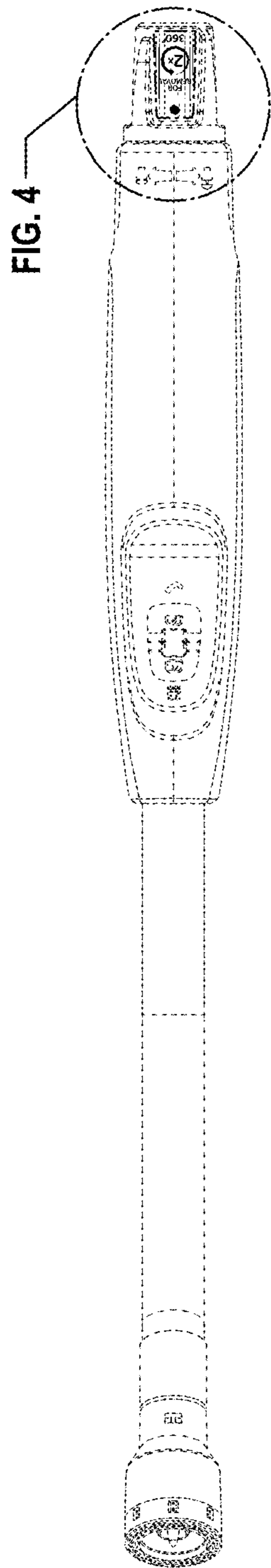


FIG. 2

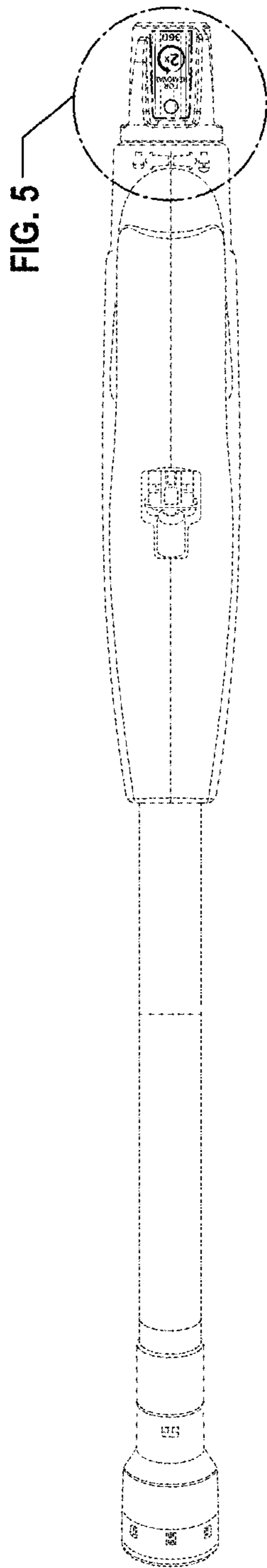


FIG. 3

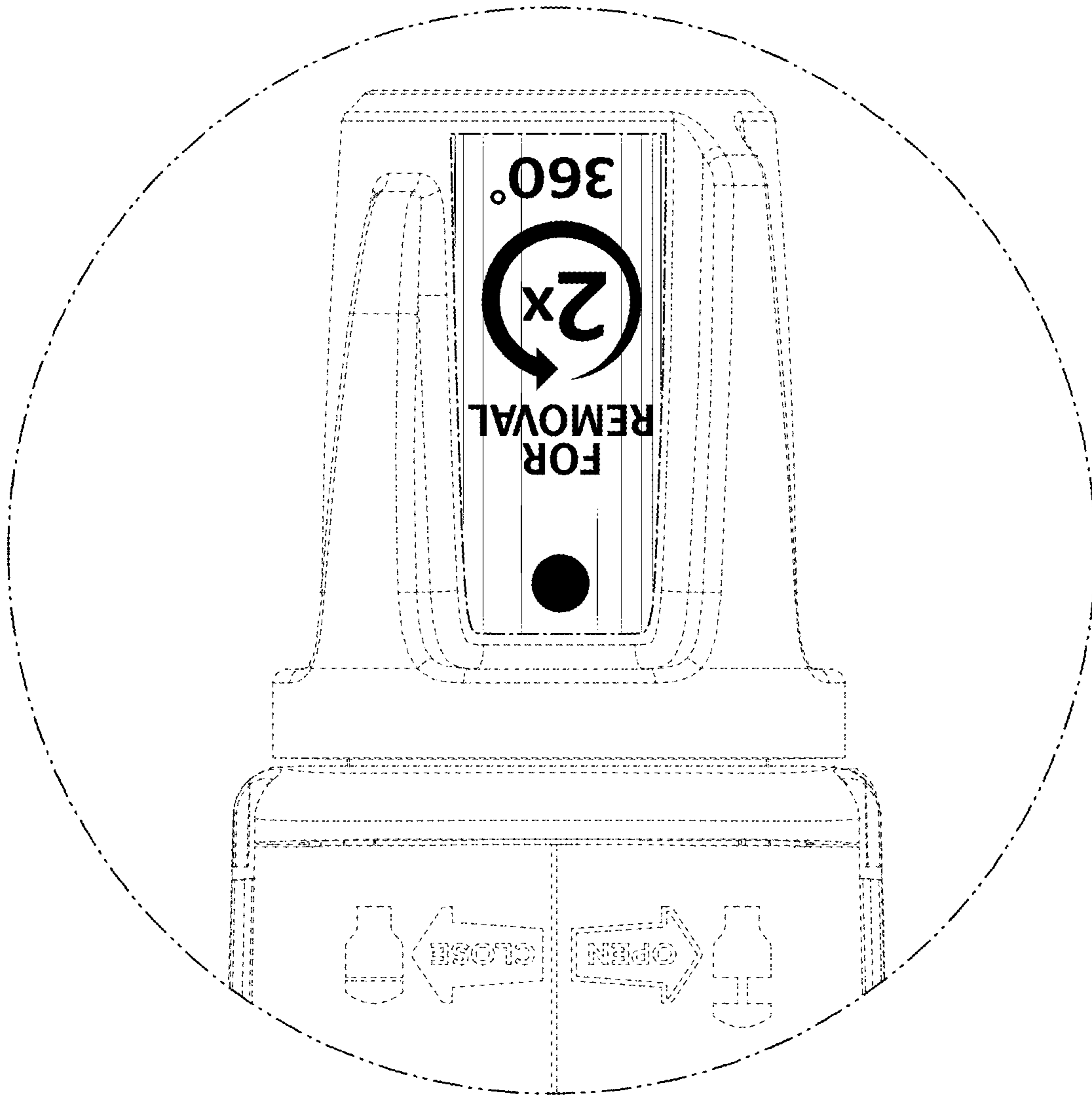


FIG. 4

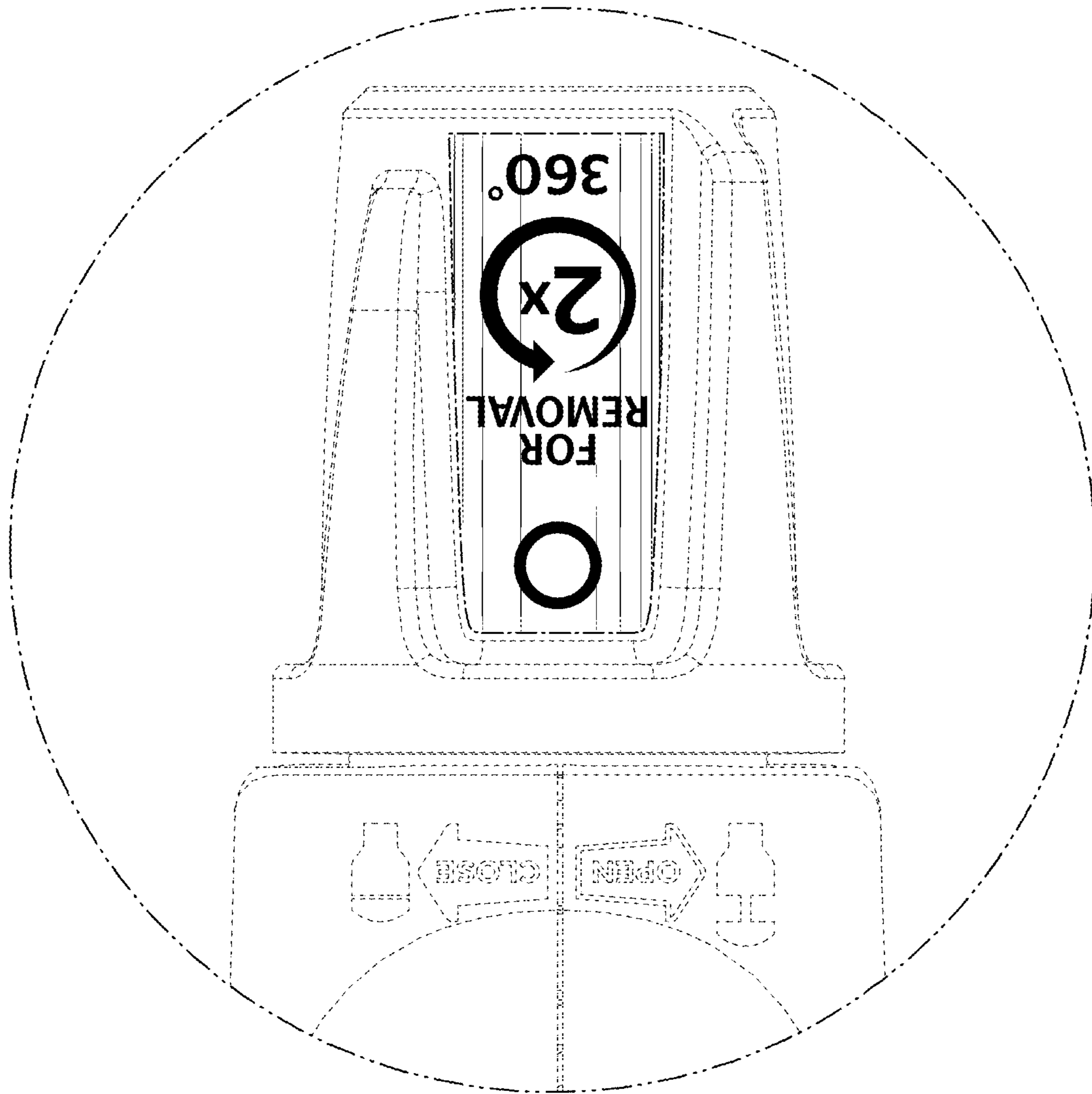


FIG. 5