



US00D983970S

(12) **United States Design Patent** (10) **Patent No.:** **US D983,970 S**  
**Vaughan et al.** (45) **Date of Patent:** **\*\* Apr. 18, 2023**

(54) **SURGICAL BUR ASSEMBLY**  
(71) Applicant: **Stryker European Operations Limited**, Carrigtwohill (IE)  
(72) Inventors: **Aidan Vaughan**, Cork (IE); **Eoin Connolly**, Dublin (IE)  
(73) Assignee: **Stryker European Operations Limited**, Carrigtwohill (IE)

1,667,630 A 4/1928 Loeck  
1,688,295 A 10/1928 Maijgren  
3,835,858 A 9/1974 Hagen  
5,055,105 A 10/1991 Hamlin et al.  
D332,492 S 1/1993 Rosenberg et al.  
(Continued)

**FOREIGN PATENT DOCUMENTS**

WO 2012138337 A1 10/2012  
WO 2018026369 A1 2/2018

(\*\*) Term: **15 Years**

**OTHER PUBLICATIONS**

(21) Appl. No.: **29/864,274**

Design U.S. Appl. No. 29/747,317, filed Aug. 21, 2020.

(22) Filed: **May 17, 2022**

*Primary Examiner* — Michelle E. Wilson

**Related U.S. Application Data**

*Assistant Examiner* — Kelly L Gross

(63) Continuation of application No. 29/747,317, filed on Aug. 21, 2020, now Pat. No. Des. 956,222.

(74) *Attorney, Agent, or Firm* — Howard & Howard Attorneys PLLC

(51) **LOC (14) Cl.** ..... **24-02**

(57) **CLAIM**

(52) **U.S. Cl.**  
USPC ..... **D24/133**

The ornamental design for a surgical bur assembly, as shown and described.

(58) **Field of Classification Search**

**DESCRIPTION**

USPC ..... D24/119, 133, 137, 138, 151, 146, 147, D24/152, 108, 111, 112, 113, 117, 118, D24/127, 130, 135, 141, 143, 144, 148, D24/153, 154, 170, 176, 179, 216, 222, D24/145, 150, 128, 129, 131; D8/51, 68, D8/107; D7/649

FIG. 1 is a top, left-side, perspective view of a surgical bur assembly;  
FIG. 2 is a top view thereof;  
FIG. 3 is a bottom view thereof;  
FIG. 4 is a left-side view thereof;  
FIG. 5 is a right-side view thereof;  
FIG. 6 is a front view thereof;  
FIG. 7 is a rear view thereof;  
FIG. 8 is an enlarged front, right-side, partial perspective view thereof;  
FIG. 9 is an enlarged partial bottom view thereof; and,  
FIG. 10 is an enlarged partial right-side view thereof.  
In the drawings, the broken lines represent unclaimed portions of the surgical bur assembly and form no part of the claimed design.

CPC ... A61B 17/3211; A61B 17/30; A61B 17/025; A61B 17/1604; A61B 17/06066; A61B 17/320016; A61B 17/3213; A61B 17/320068; A61B 18/14; A61C 3/14; A61C 3/02; A61F 9/00754; A61H 39/04; B26B 7/005

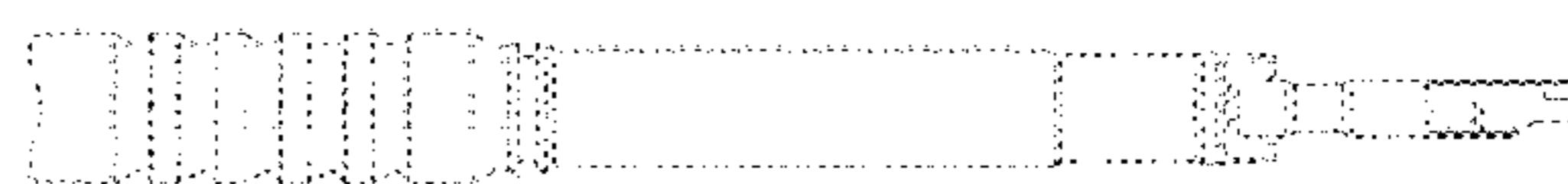
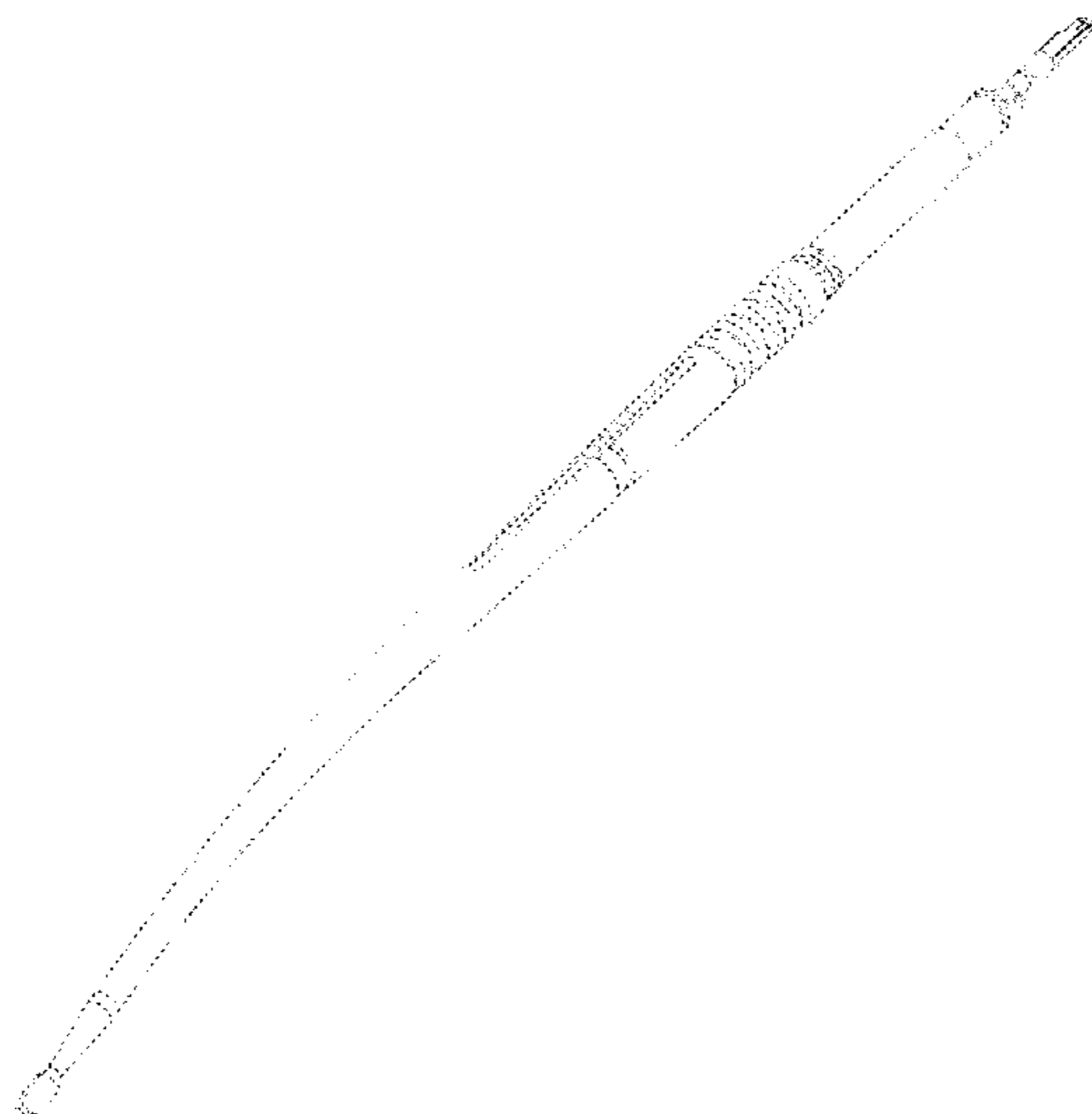
See application file for complete search history.

(56) **References Cited**

**U.S. PATENT DOCUMENTS**

**1 Claim, 4 Drawing Sheets**

233,709 A 10/1880 Starr  
1,595,050 A 8/1926 Wolf



(56)

References Cited

U.S. PATENT DOCUMENTS

D344,903 S	3/1994	Gampp, Jr. et al.	D758,578 S	6/2016	Quaye
5,352,234 A	10/1994	Scott	9,381,023 B2	7/2016	del Rio et al.
5,505,737 A	4/1996	Gosselin et al.	D762,854 S	8/2016	Efinger et al.
D372,311 S	7/1996	Koros et al.	D763,447 S	8/2016	Efinger et al.
5,556,399 A	9/1996	Huebner	9,402,638 B2	8/2016	del Rio et al.
D380,265 S	6/1997	Mark	D765,602 S	9/2016	Nasu et al.
5,667,509 A	9/1997	Westin	9,451,954 B2	9/2016	Moore et al.
D393,715 S	4/1998	Strickland	9,463,028 B2	10/2016	Sidebotham et al.
5,752,969 A	5/1998	Cunci et al.	D770,985 S	11/2016	Nasu et al.
6,004,326 A	12/1999	Castro et al.	D771,808 S	11/2016	Efinger et al.
6,120,511 A	9/2000	Chan	D771,815 S	11/2016	Huttner
D433,504 S	11/2000	Mark	D773,664 S	12/2016	DeNeui
D440,305 S	4/2001	Mark	D776,259 S	1/2017	Eldredge
D475,785 S	6/2003	Chang	D782,042 S	3/2017	Dexter et al.
D484,595 S	12/2003	Ryan et al.	D783,785 S	4/2017	Bates-Hurtado
D484,596 S	12/2003	Ryan et al.	D790,699 S	6/2017	Dexter et al.
7,001,391 B2	2/2006	Estes et al.	9,681,879 B2	6/2017	del Rio et al.
7,011,661 B2	3/2006	Riedel et al.	9,687,257 B2	6/2017	Straslicka et al.
7,066,940 B2	6/2006	Riedel	D797,290 S	9/2017	Kleiner et al.
D537,942 S	3/2007	Cronin et al.	9,764,389 B2	9/2017	Kobayashi
D540,468 S	4/2007	Mori	D800,903 S	10/2017	Heiliger
D546,948 S	7/2007	Huttner	D800,906 S	10/2017	Cihak
7,243,580 B2	7/2007	Frazee	D800,907 S	10/2017	Cihak
D567,378 S	4/2008	Nordahl et al.	9,820,756 B2	11/2017	del Rio et al.
D582,552 S	12/2008	Berberich	9,877,763 B2	1/2018	Barth et al.
D593,202 S	5/2009	Petersen	9,907,559 B2	3/2018	del Rio et al.
D594,119 S	6/2009	Berberich et al.	10,039,870 B2	8/2018	Su et al.
D597,670 S	8/2009	Maissami	10,080,579 B2	9/2018	Cihak et al.
D600,806 S	9/2009	Horton et al.	10,092,300 B2	10/2018	del Rio et al.
D601,251 S	9/2009	Horton et al.	10,123,815 B2	11/2018	Huffenus et al.
D605,759 S	12/2009	Cuevas et al.	D837,974 S	1/2019	Hannon et al.
7,766,585 B2	8/2010	Vasudeva et al.	10,213,578 B2	2/2019	Fukuoka et al.
D631,962 S	2/2011	Dorman	D843,061 S	3/2019	Martone
7,879,037 B2	2/2011	Brunnett et al.	10,238,416 B2	3/2019	Stulen et al.
D642,268 S	7/2011	Qureshi	10,258,763 B2	4/2019	Grasse et al.
7,992,878 B2	8/2011	Dace	D854,742 S	7/2019	Fisten et al.
8,016,523 B2	9/2011	Vasudeva et al.	D855,180 S	7/2019	Haefliger
D648,021 S	11/2011	Dorman	D855,803 S	8/2019	Dejima et al.
D654,591 S	2/2012	Gunnerson	D856,511 S	8/2019	Kelly et al.
D660,428 S	5/2012	Hohl	D867,590 S	11/2019	Engler et al.
D667,714 S	9/2012	Ortiz	D871,576 S	12/2019	Lohk et al.
D668,520 S	10/2012	Ortiz	10,543,122 B2	1/2020	Kahook
8,357,163 B2	1/2013	Sidebotham et al.	D878,602 S	3/2020	Chang et al.
8,403,931 B2	3/2013	Sidebotham et al.	D882,077 S	4/2020	Schmitt
D679,803 S	4/2013	Carter	D884,891 S	5/2020	Solingen et al.
8,449,545 B2	5/2013	Sidebotham et al.	D893,714 S	8/2020	Trezza et al.
8,460,297 B2	6/2013	Watlington et al.	10,729,478 B1	8/2020	Watts
8,518,043 B2	8/2013	Sidebotham et al.	D908,866 S	1/2021	Fuentes-Ortega et al.
8,518,044 B2	8/2013	Sidebotham et al.	D915,593 S	4/2021	Alenezi et al.
8,518,087 B2	8/2013	Lopez et al.	11,039,842 B1	6/2021	Bennett
8,523,866 B2	9/2013	Sidebotham et al.	D925,030 S	7/2021	Hilton et al.
8,535,316 B2	9/2013	Lewis et al.	D928,957 S	8/2021	Schumaier et al.
8,540,716 B2	9/2013	Sidebotham et al.	D933,226 S	10/2021	Marsteller et al.
D692,134 S	10/2013	Lee-Sepsick	D933,227 S	10/2021	Cady et al.
8,556,897 B2	10/2013	Sidebotham et al.	D934,424 S	10/2021	Abt et al.
D700,322 S	2/2014	Kleiner	D935,023 S	11/2021	Le Faucheur
D701,305 S	3/2014	Greco	D938,583 S	12/2021	Yan et al.
8,690,876 B2	4/2014	del Rio et al.	D939,082 S	12/2021	Ortiz et al.
8,728,058 B2	5/2014	Schertiger	D943,745 S *	2/2022	Cao ..... D24/146
8,801,713 B2	8/2014	del Rio et al.	D947,379 S *	3/2022	Cao ..... A61B 17/3468
8,870,873 B2	10/2014	Del Rio et al.			D24/146
8,932,295 B1	1/2015	Greenhalgh	D950,059 S *	4/2022	Lee ..... D24/152
8,939,979 B2	1/2015	Del Rio et al.	D951,446 S *	5/2022	Yang ..... D24/147
8,961,519 B2	2/2015	Gillard et al.	D953,530 S *	5/2022	Lanois ..... D24/146
D723,682 S	3/2015	Kleiner et al.	D956,222 S *	6/2022	Vaughan ..... D24/133
D726,289 S	4/2015	Mahmood et al.	D958,971 S *	7/2022	Henry ..... D24/112
D736,916 S	8/2015	Appling et al.	D958,989 S *	7/2022	Renwick ..... D24/146
9,108,020 B1	8/2015	Feloney	D965,778 S *	10/2022	Alexander ..... D24/135
9,113,917 B2	8/2015	del Rio et al.	D967,413 S *	10/2022	Quaye ..... D24/130
D744,652 S	12/2015	Bennett	D967,415 S *	10/2022	Cottone ..... D24/130
D746,445 S	12/2015	Lazarus	D967,416 S *	10/2022	Zhang ..... D24/130
9,254,223 B2	2/2016	Medina	D967,422 S *	10/2022	Vanderpool ..... A61B 17/3468
9,308,013 B2	4/2016	Casey et al.			D24/146
D755,378 S	5/2016	Dejima	D968,592 S *	11/2022	Wei ..... D24/119
9,333,005 B2	5/2016	Schafer et al.	2003/0097133 A1	5/2003	Green et al.
			2005/0027282 A1	2/2005	Schweikert et al.
			2007/0172321 A1	7/2007	Nagai
			2010/0063524 A1	3/2010	McCombs
			2011/0031505 A1	2/2011	Harada et al.

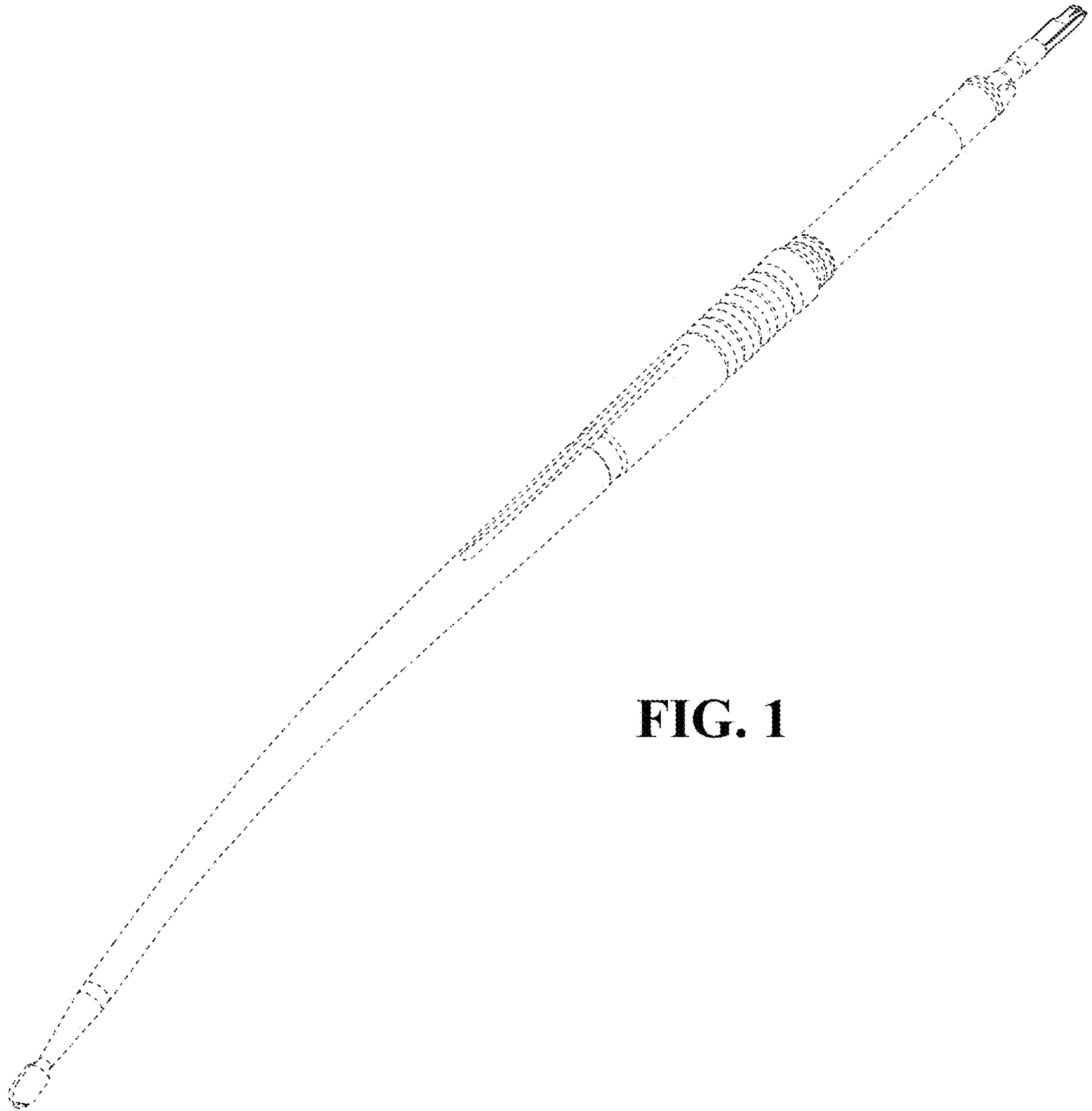
(56)

**References Cited**

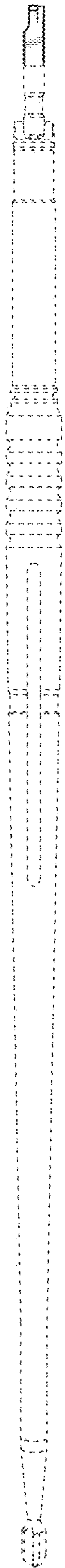
U.S. PATENT DOCUMENTS

2016/0278788 A1 9/2016 Dexter et al.  
2017/0159717 A1 6/2017 Marchand et al.  
2017/0281196 A1 10/2017 del Rio et al.  
2018/0036026 A1 2/2018 Inamdar  
2018/0132865 A1 5/2018 del Rio et al.  
2019/0041195 A1 2/2019 El Zoghbi  
2019/0388086 A1 12/2019 Gordon et al.  
2020/0046378 A1 2/2020 Birkbeck et al.  
2020/0170652 A1 6/2020 Kam et al.

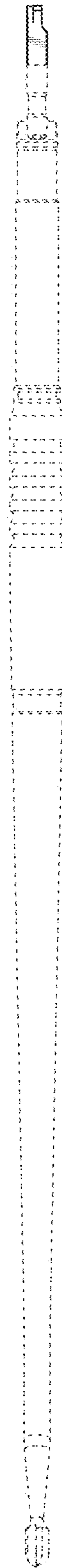
\* cited by examiner



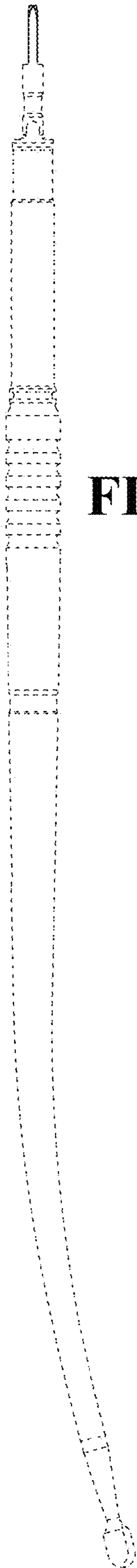
**FIG. 1**



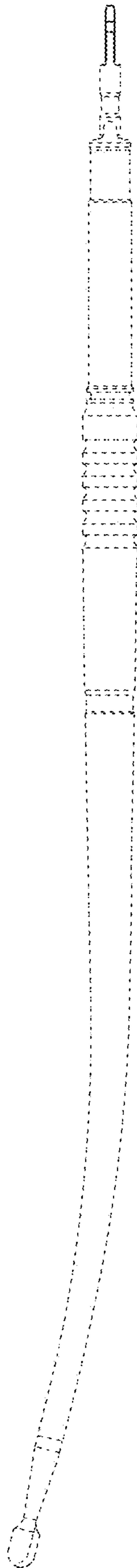
**FIG. 2**



**FIG. 3**



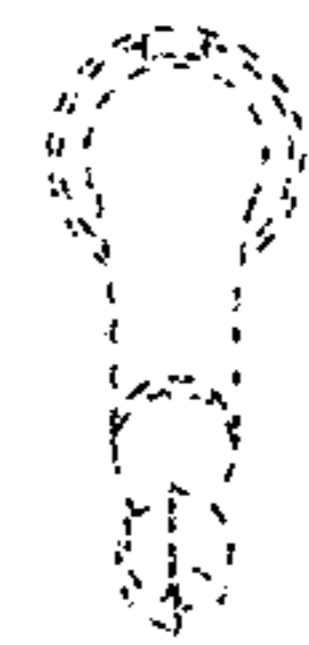
**FIG. 4**



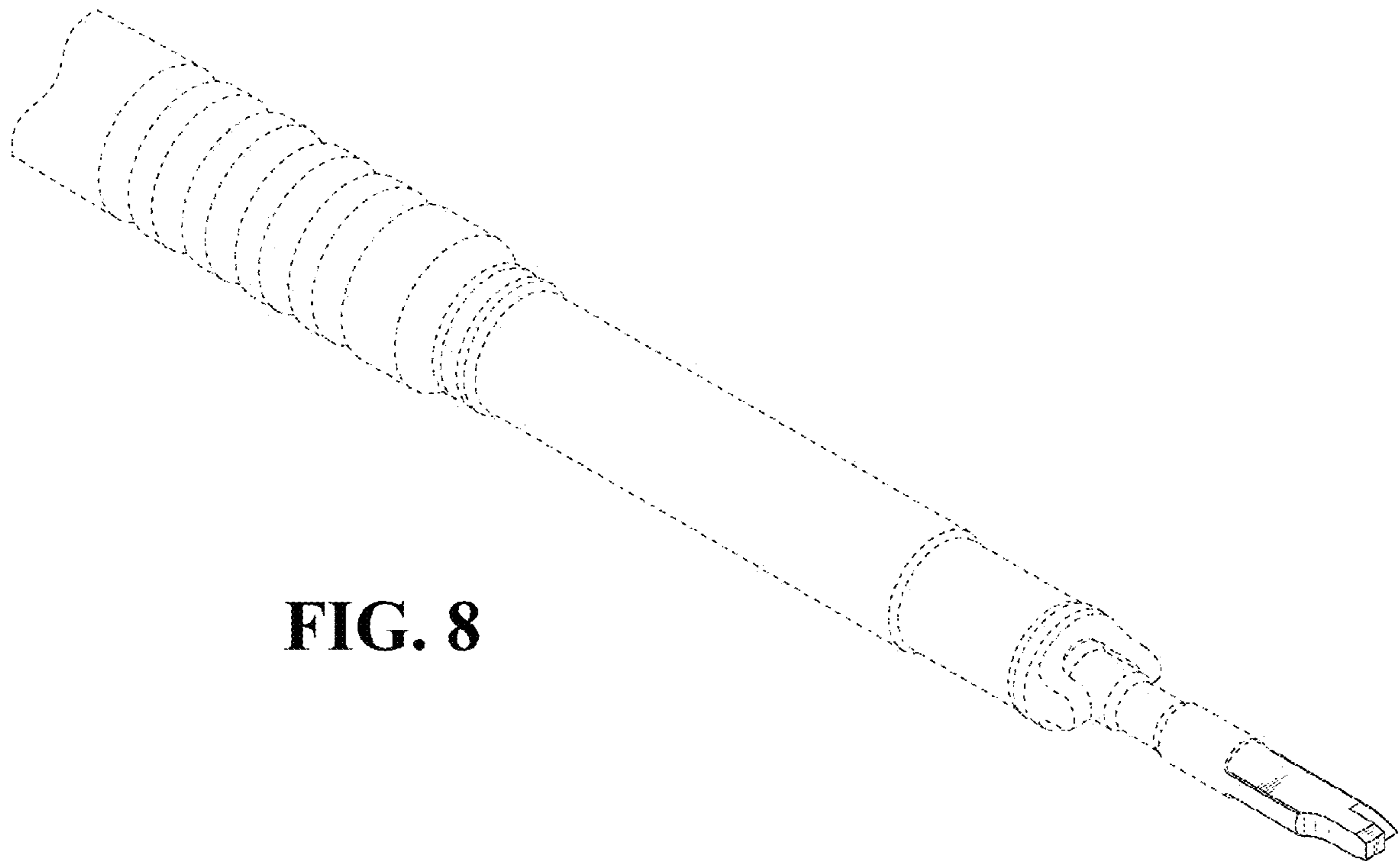
**FIG. 5**



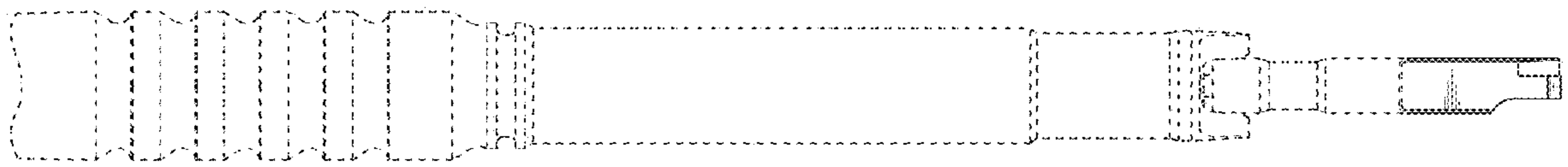
**FIG. 6**



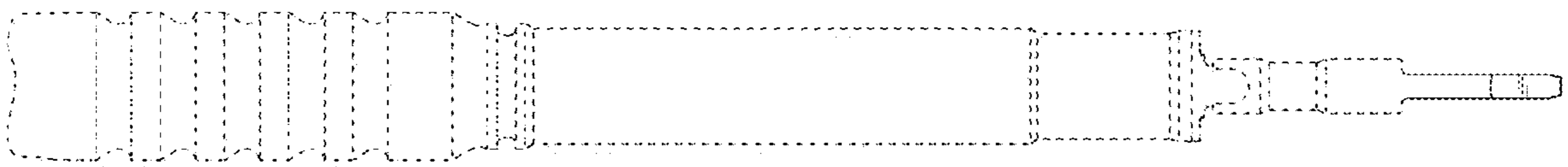
**FIG. 7**



**FIG. 8**



**FIG. 9**



**FIG. 10**