



US00D983965S

(12) **United States Design Patent** (10) **Patent No.:** **US D983,965 S**
Siddiqui (45) **Date of Patent:** **** Apr. 18, 2023**

(54) **SYRINGE**

FOREIGN PATENT DOCUMENTS

(71) Applicant: **AK Pharma Inc**, Miami, FL (US)

CN 306497667 * 4/2021

(72) Inventor: **Aasif Ali Siddiqui**, Dubai (AE)

JP D1721879 * 8/2022

KR 3009872090001 * 12/2018

(73) Assignee: **AK PHARMA INC**, Miami, FL (US)

OTHER PUBLICATIONS

(**) Term: **15 Years**

Gx Backstops, Gerresheimer, gerresheimer.com, [Post date: unknown], [Site seen Dec. 28, 2022], Seen at URL: <https://www.gerresheimer.com/en/primary-packaging/prefillable-syringes/glass-syringes/closures-and-accessories> (Year: 2022).*

(21) Appl. No.: **29/796,848**

* cited by examiner

(22) Filed: **Jun. 28, 2021**

(51) **LOC (14) Cl.** **24-02**

(52) **U.S. Cl.**
USPC **D24/114**

(58) **Field of Classification Search**
USPC D24/112-114, 108, 127-131, 133, 186
CPC A61J 1/2096; A61M 5/3257; A61M 5/31501; A61M 2205/273; A61M 5/321; A61M 5/178; A61M 5/31; A61M 5/3146
See application file for complete search history.

Primary Examiner — Natasha Vujcic

Assistant Examiner — Gilbert B Ford

(74) *Attorney, Agent, or Firm* — Ziegler IP Law Group, LLC

(56) **References Cited**

(57) **CLAIM**

I claim, the ornamental design for a syringe, as shown and described.

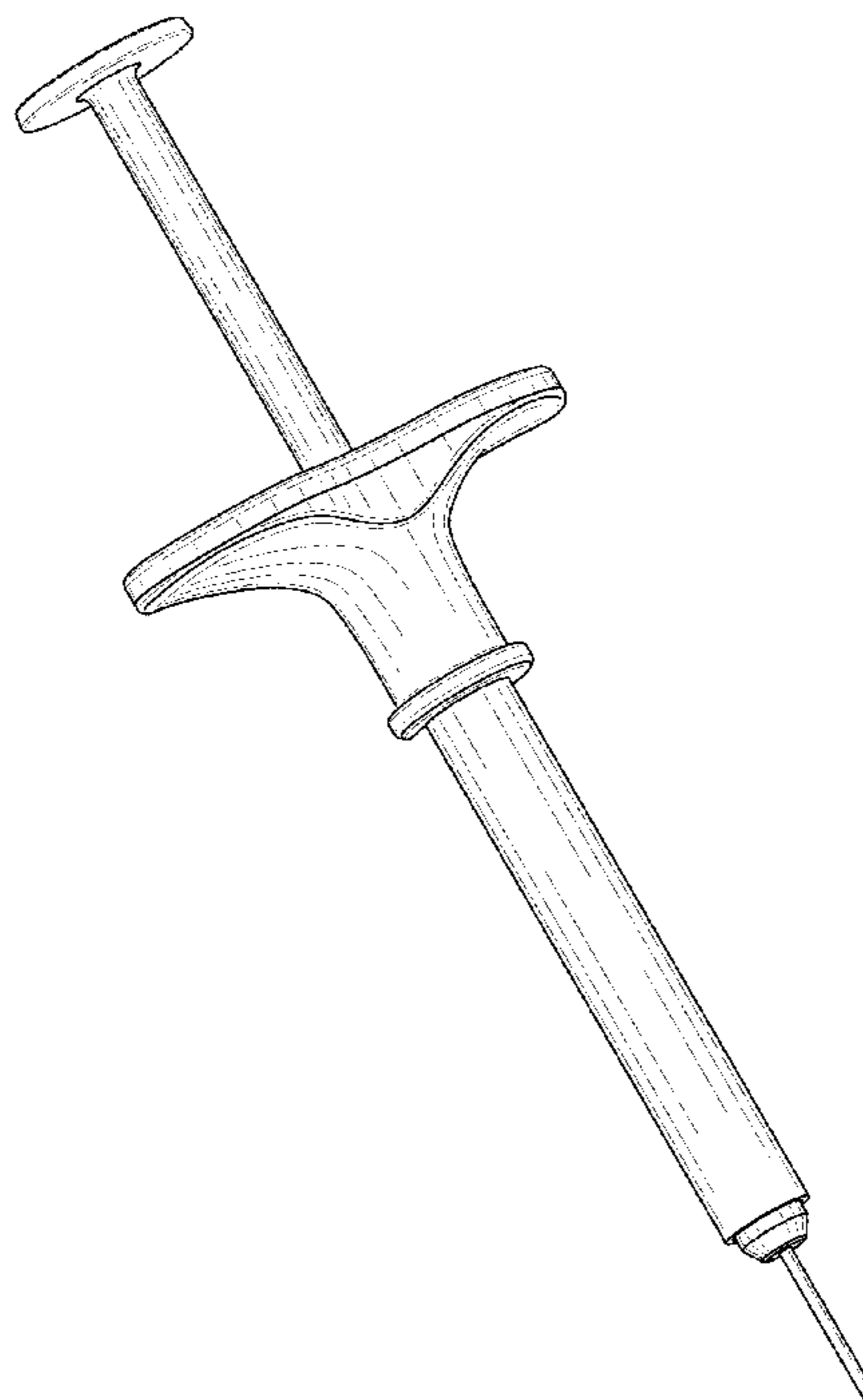
U.S. PATENT DOCUMENTS

DESCRIPTION

D792,969 S *	7/2017	Taylor	D24/130
D823,461 S *	7/2018	Shaw	D24/114
D834,182 S *	11/2018	Reynolds	D24/114
D865,948 S *	11/2019	Mandaroux	D24/114
D867,582 S *	11/2019	Mandaroux	D24/114
D870,272 S *	12/2019	Goulinet	D24/114
D878,569 S *	3/2020	Reynolds	D24/114
D889,639 S *	7/2020	Johnson	D24/114
D909,571 S *	2/2021	Futami	D24/114
D950,047 S *	4/2022	Norihiko	D24/113
2008/0033347 A1 *	2/2008	D'Arrigo	A61M 5/347 604/93.01
2017/0290987 A1 *	10/2017	Mandaroux	A61M 5/31505

FIG. 1 is a perspective view of a syringe incorporating the claimed design;
FIG. 2 is a front view thereof;
FIG. 3 is a back view thereof;
FIG. 4 is a side view thereof;
FIG. 5 is an other side view thereof;
FIG. 6 is a top view thereof;
FIG. 7 is a bottom view thereof; and,
FIG. 8 is a perspective back view thereof.

1 Claim, 5 Drawing Sheets



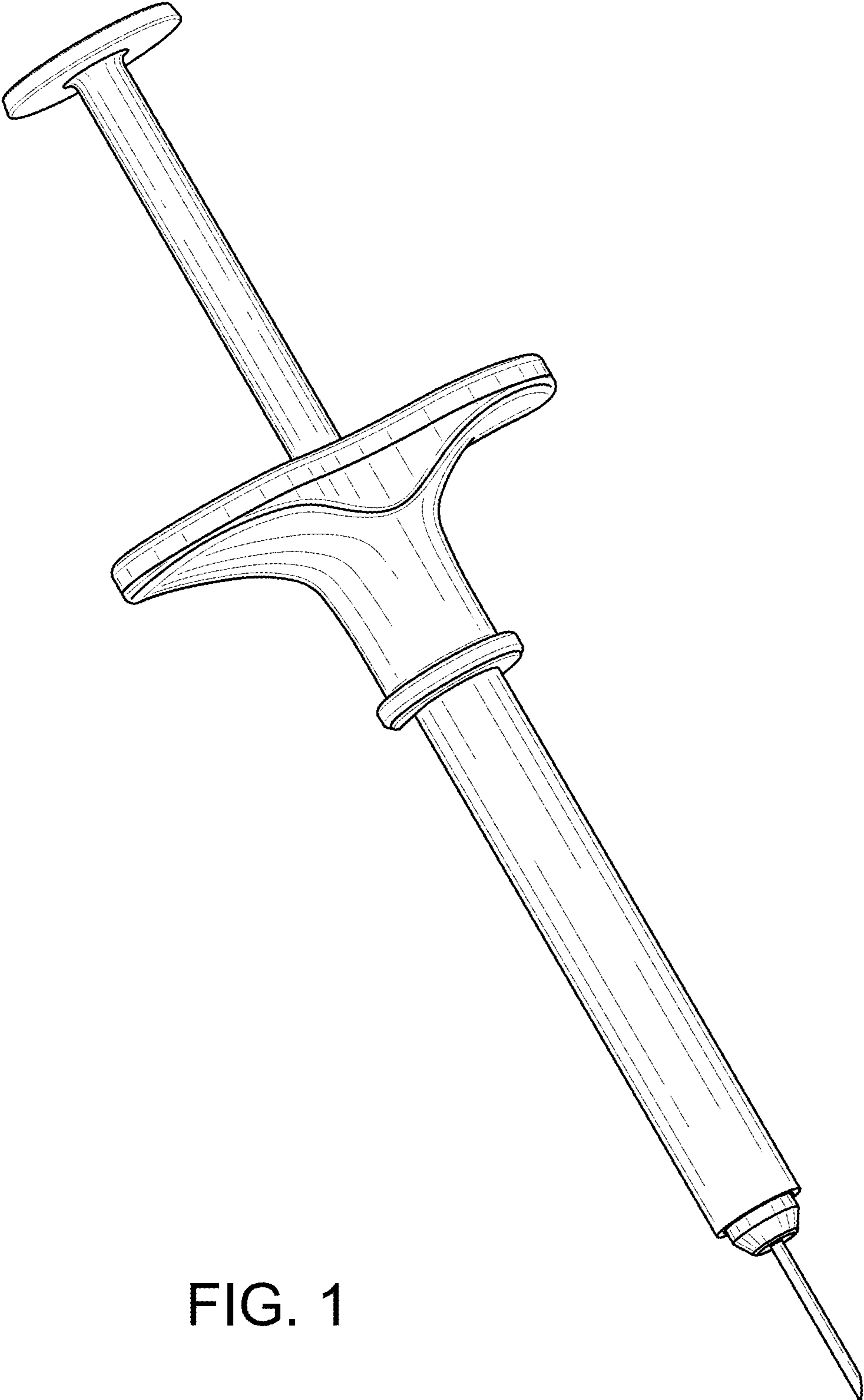


FIG. 1

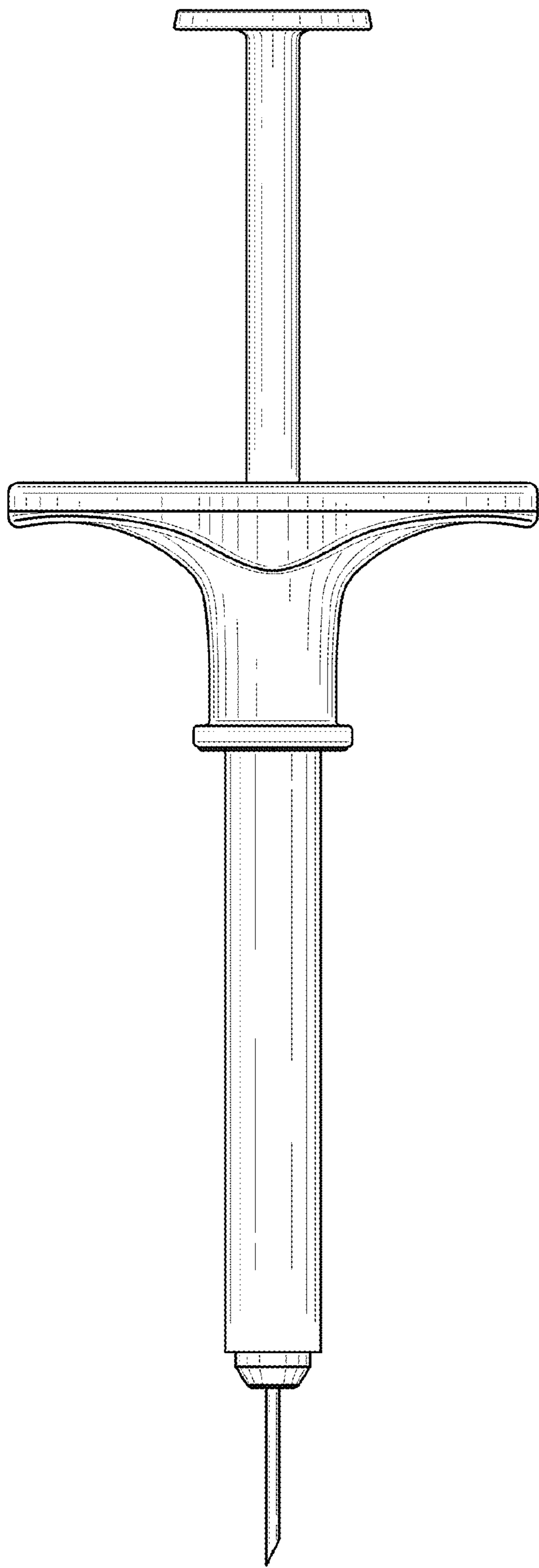


FIG. 2

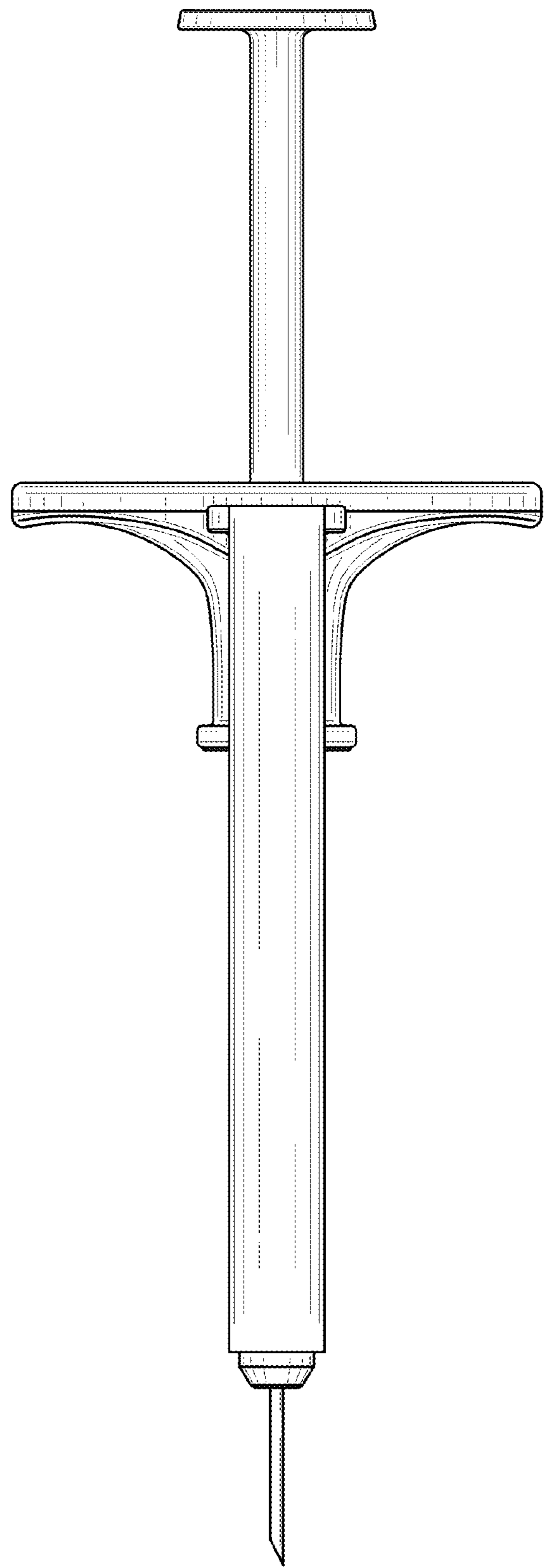


FIG. 3

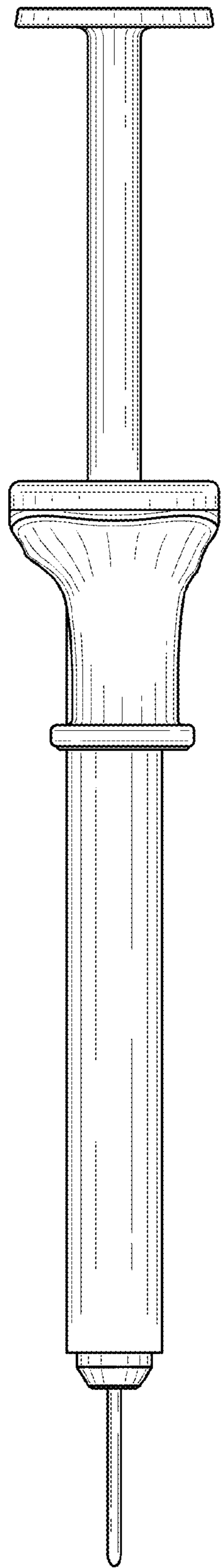


FIG. 4

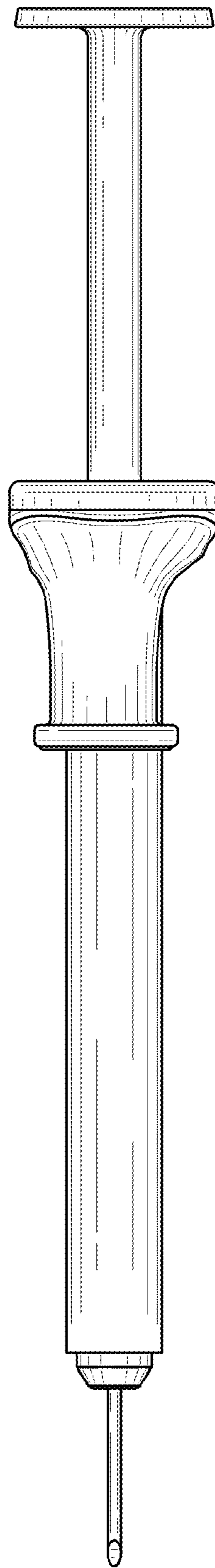


FIG. 5

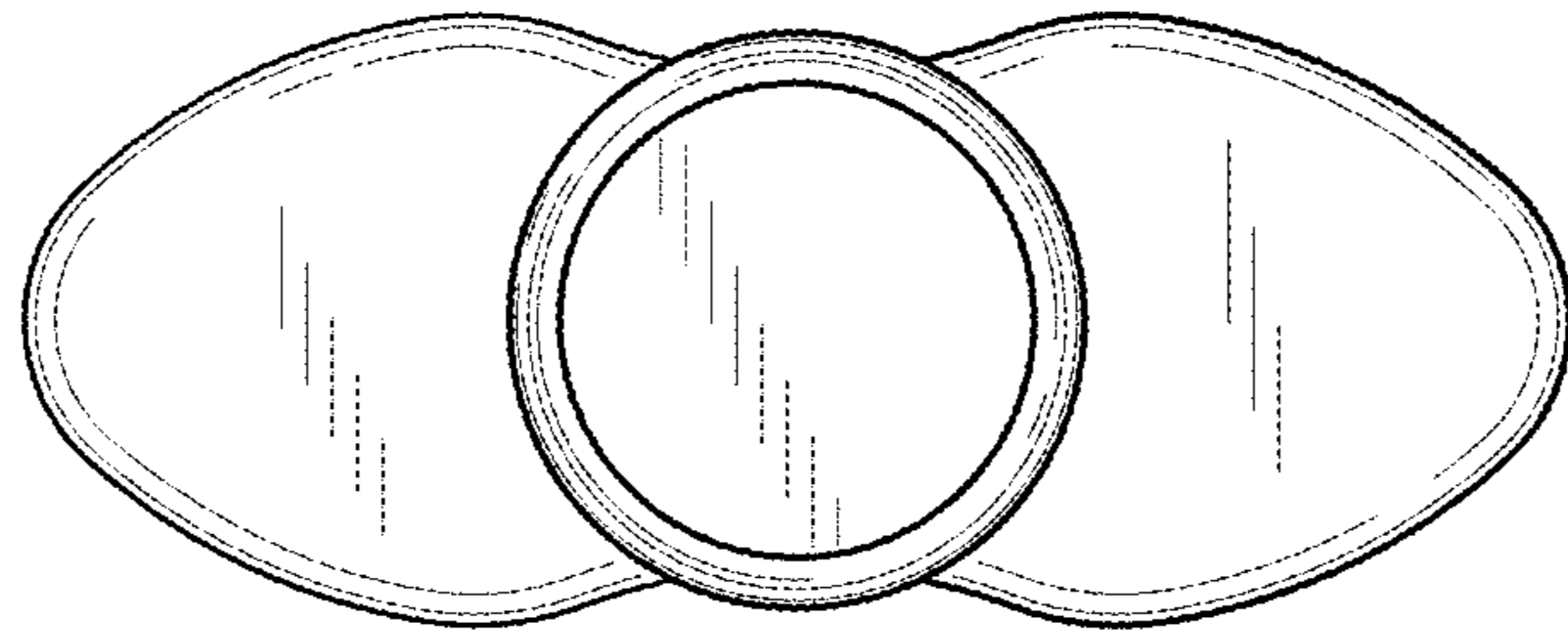


FIG. 6

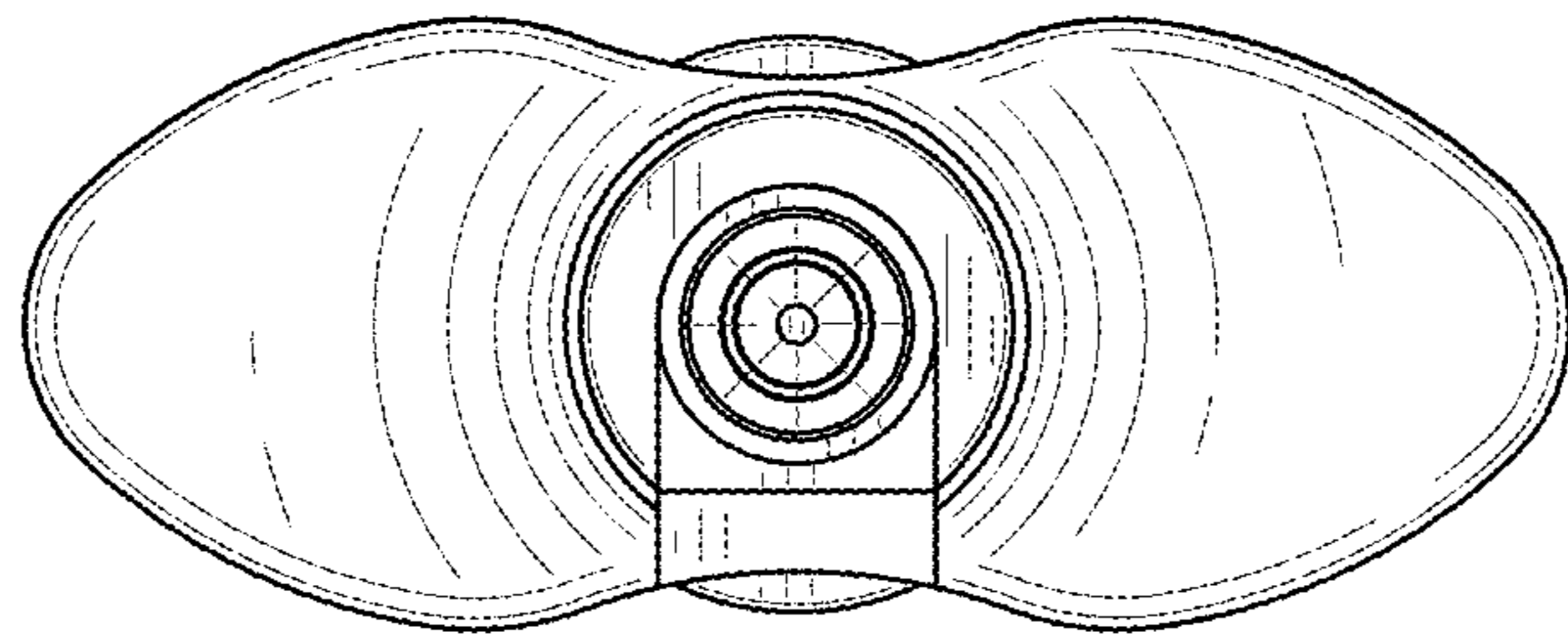


FIG. 7

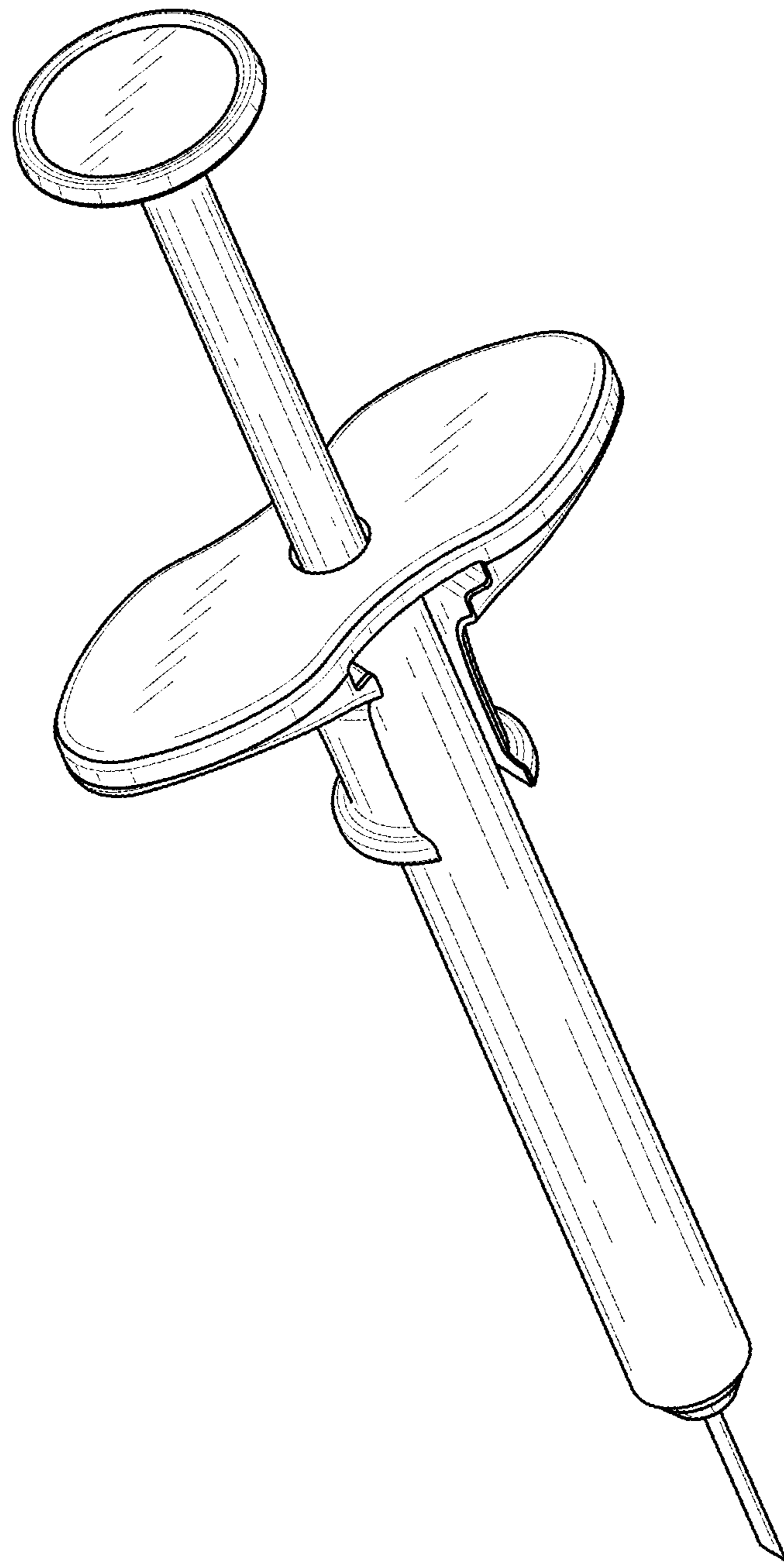


FIG. 8