



US00D983964S

(12) **United States Design Patent** (10) **Patent No.:** **US D983,964 S**
Cowey (45) **Date of Patent:** **** Apr. 18, 2023**

(54) **PROTECTIVE FACE MASK** 6,041,782 A * 3/2000 Angadjivand A41D 13/1146
128/206.16
(71) Applicant: **STAEGER CLEAR PACKAGING LIMITED**, Coventry (GB) 6,923,182 B2 * 8/2005 Angadjivand A41D 13/1146
128/206.16
6,988,500 B1 * 1/2006 Cox A41D 13/1146
128/201.15
(72) Inventor: **Brendan Cowey**, Coventry (GB) D844,253 S * 3/2019 Cho D29/108
D870,390 S * 12/2019 Mao D29/108
(**) Term: **15 Years** D897,606 S * 9/2020 Oliver D29/108
D923,775 S * 6/2021 Gilner D24/110.4
(21) Appl. No.: **35/513,958** D941,989 S * 1/2022 Ward D24/110.1
D958,967 S * 7/2022 Zhu D24/110.1
(22) Filed: **Mar. 10, 2022** 2009/0211581 A1 * 8/2009 Bansal B32B 5/026
128/205.29
2011/0270085 A1 * 11/2011 King G01M 3/24
702/56

(80) **Hague Agreement Data**

Int. Filing Date: **Mar. 10, 2022**
Int. Reg. No.: **DM/219701**
Int. Reg. Date: **Mar. 10, 2022**
Int. Reg. Pub. Date: **Apr. 1, 2022**

* cited by examiner

Primary Examiner — Richard Kearney
Assistant Examiner — Michael Hoffman

(51) **LOC (14) Cl.** **29-02**

(57) **CLAIM**

(52) **U.S. Cl.**
USPC **D24/110.1; D29/108**

The ornamental design for a protective face mask, as shown and described.

(58) **Field of Classification Search**

DESCRIPTION

USPC D24/110, 110.1–110.6; D29/108
CPC . A41D 13/11; A41D 13/1107; A41D 13/1115;
A41D 13/1123; A41D 13/113; A41D
13/1138; A41D 13/1146; A41D 13/1153;
A41D 13/1161; A41D 13/1169; A41D
13/1176; A61M 16/06; A62B 18/00;
A62B 18/02; A62B 18/025; A62B 23/00
See application file for complete search history.

- 1. Protective face mask
- 1.1 : Perspective
- 1.2 : Front
- 1.3 : Back
- 1.4 : Right
- 1.5 : Left
- 1.6 : Bottom
- 1.7 : Top

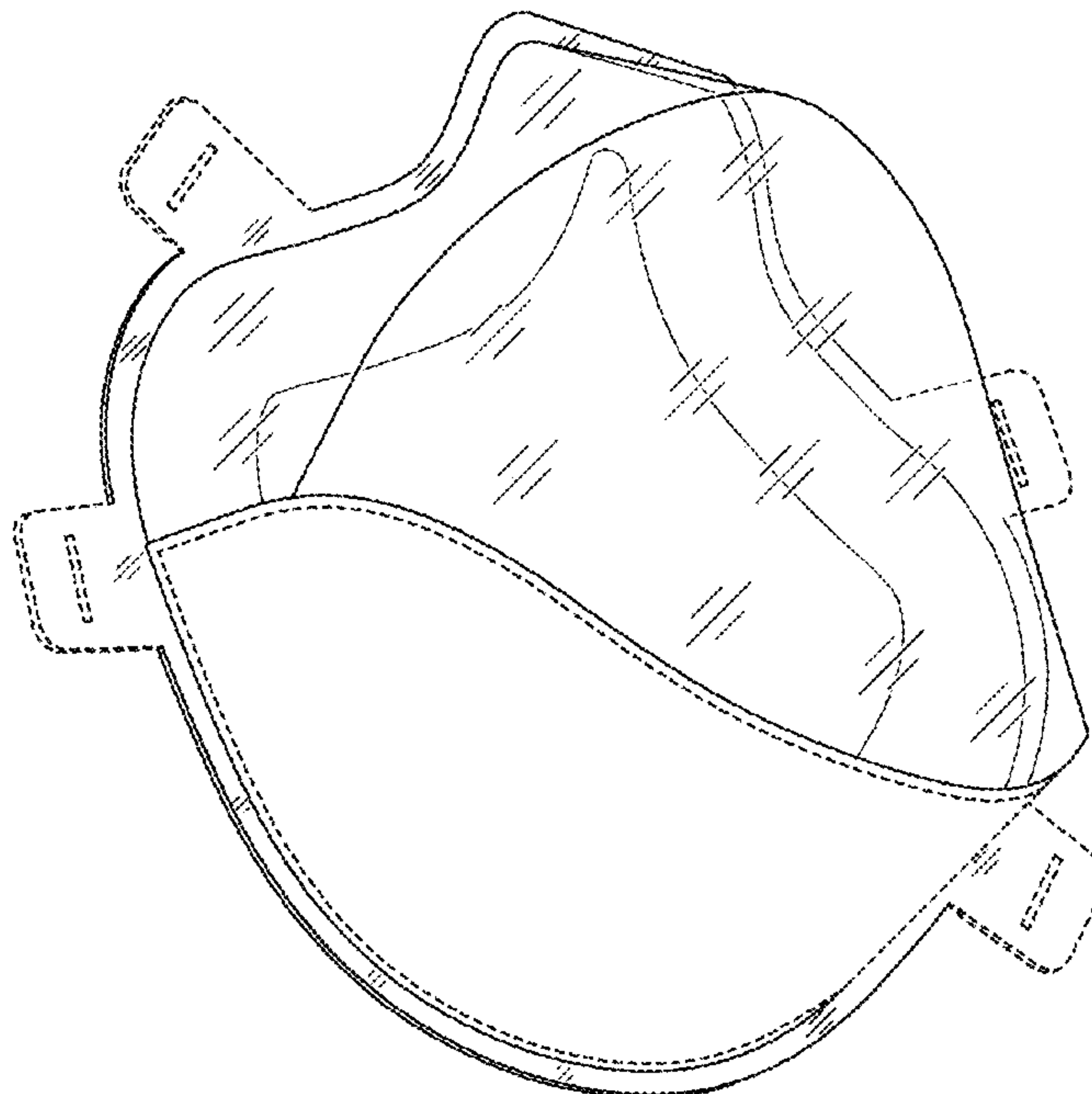
The broken lines shown in the drawings illustrate portions of the protective face mask and form no part of the claimed design.

(56) **References Cited**

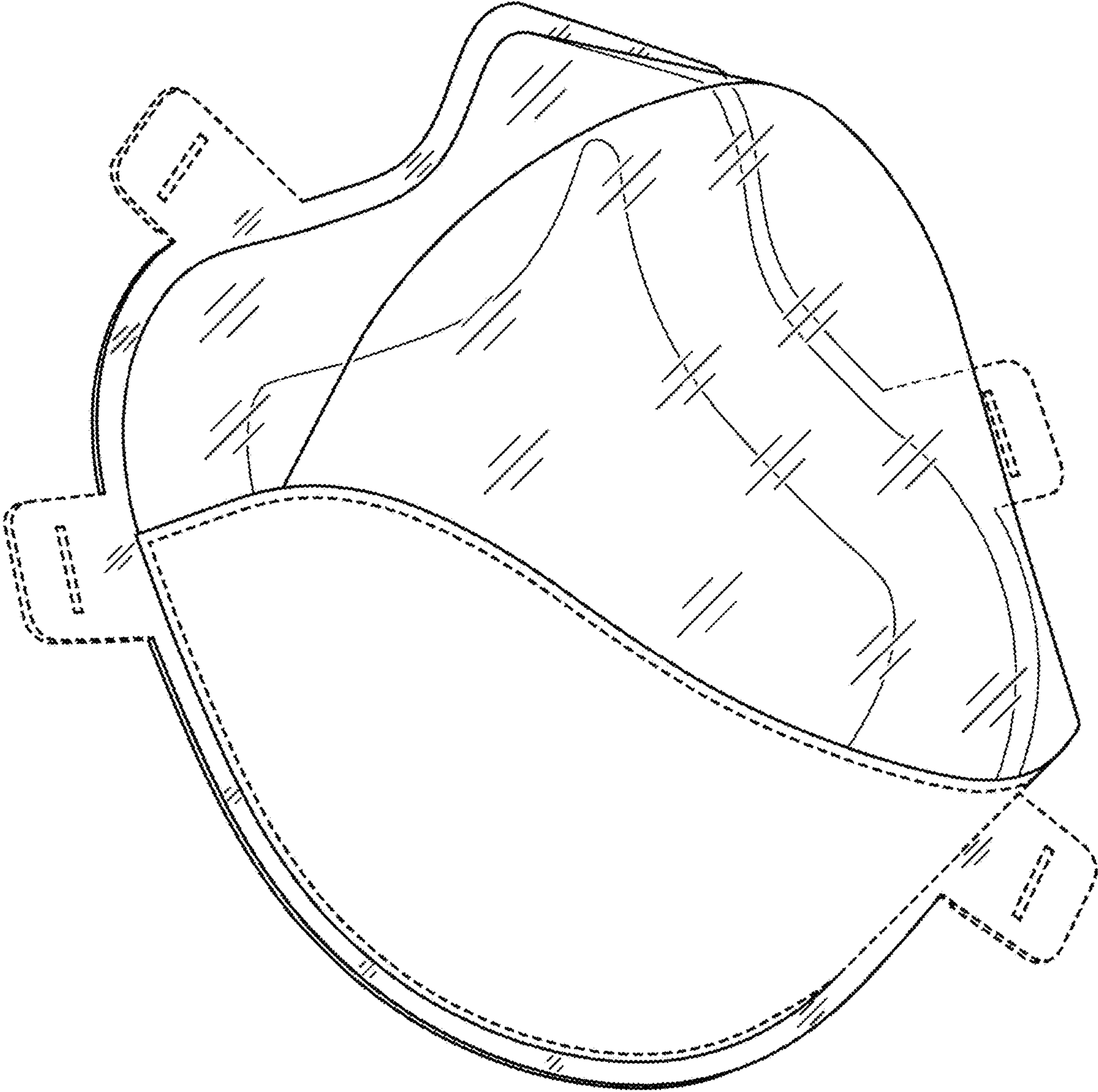
U.S. PATENT DOCUMENTS

D273,145 S * 3/1984 Ponsi D24/110.1
5,307,796 A * 5/1994 Kronzer A41D 13/1146
128/206.16

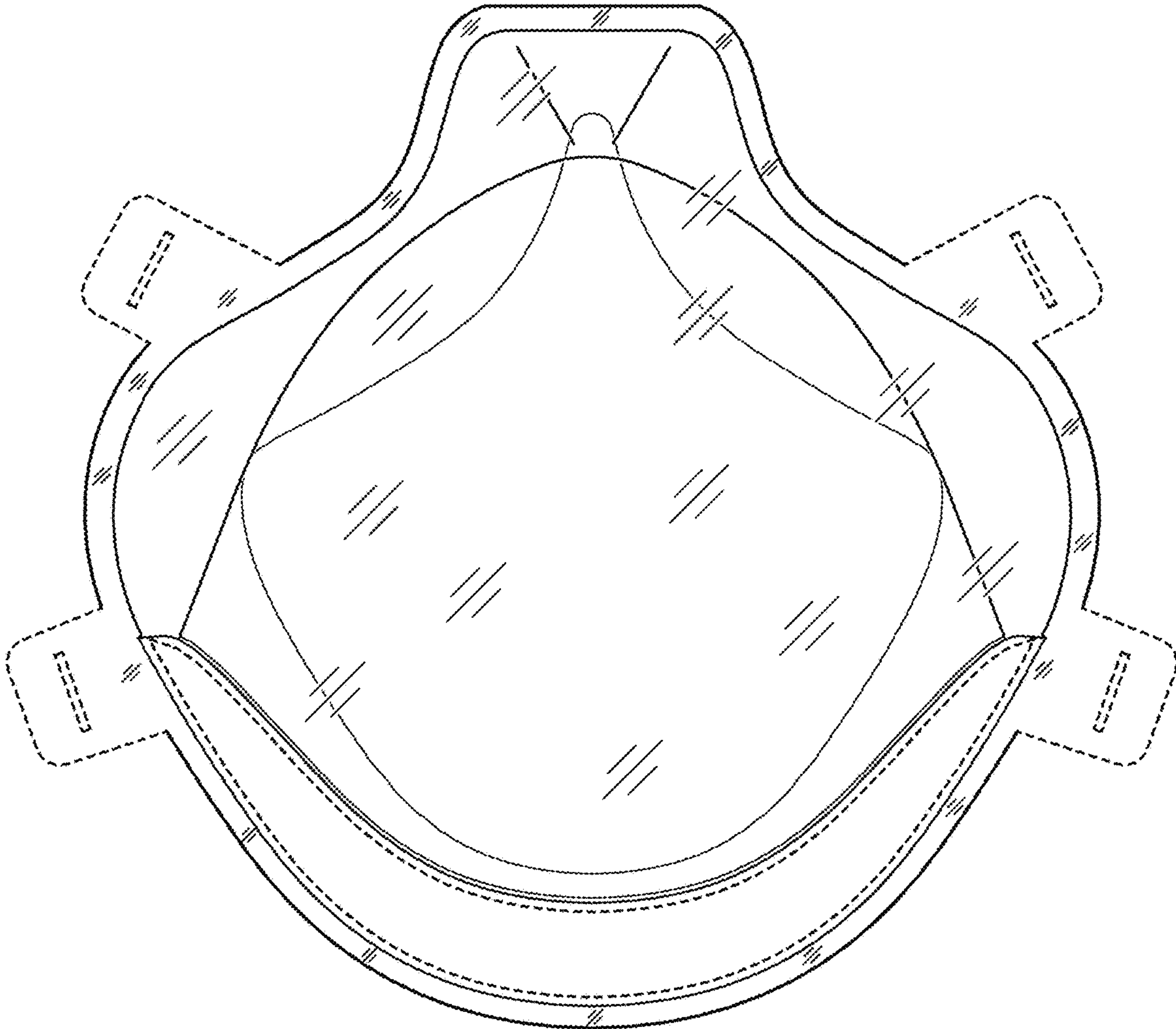
1 Claim, 7 Drawing Sheets



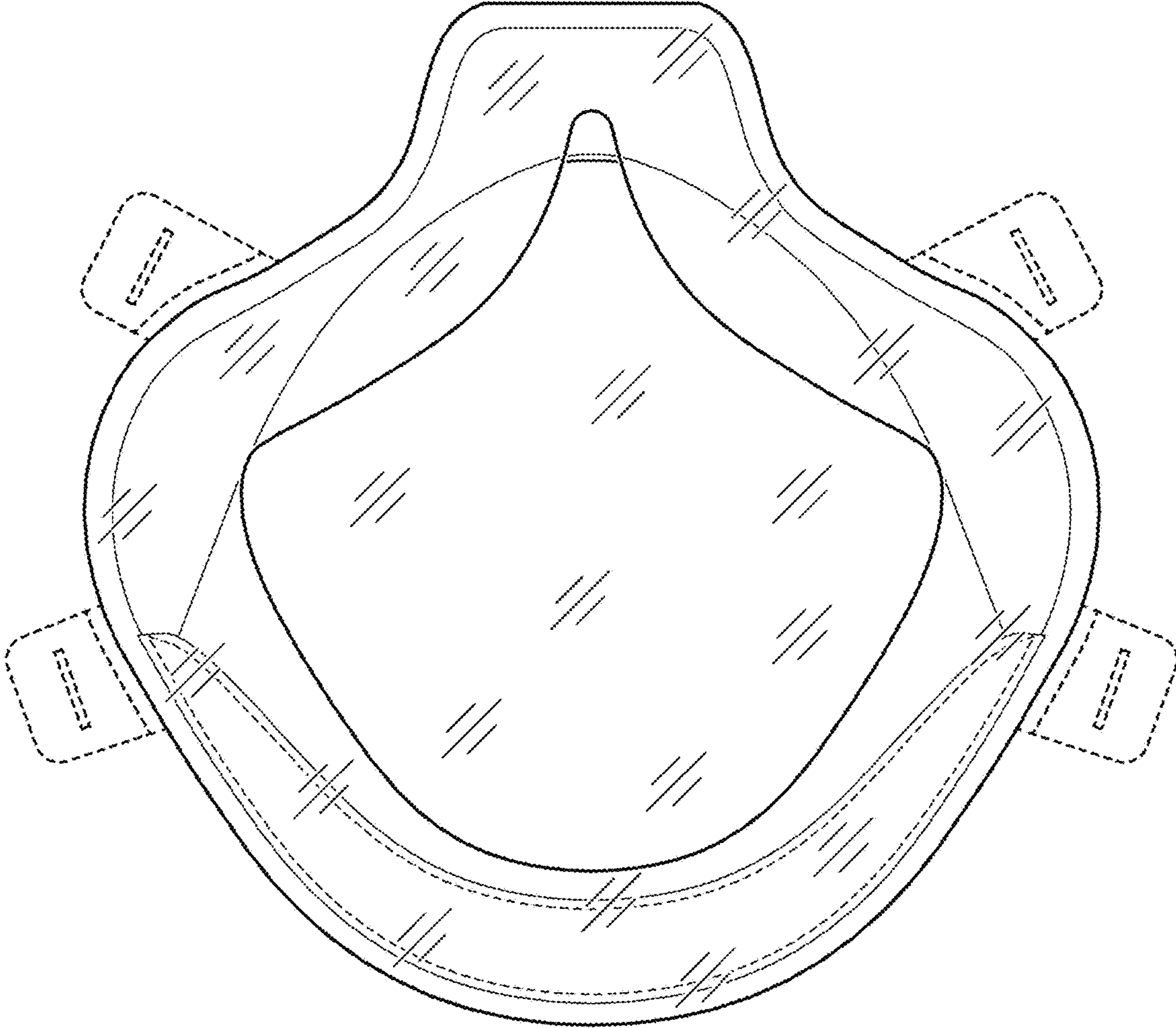
1.1



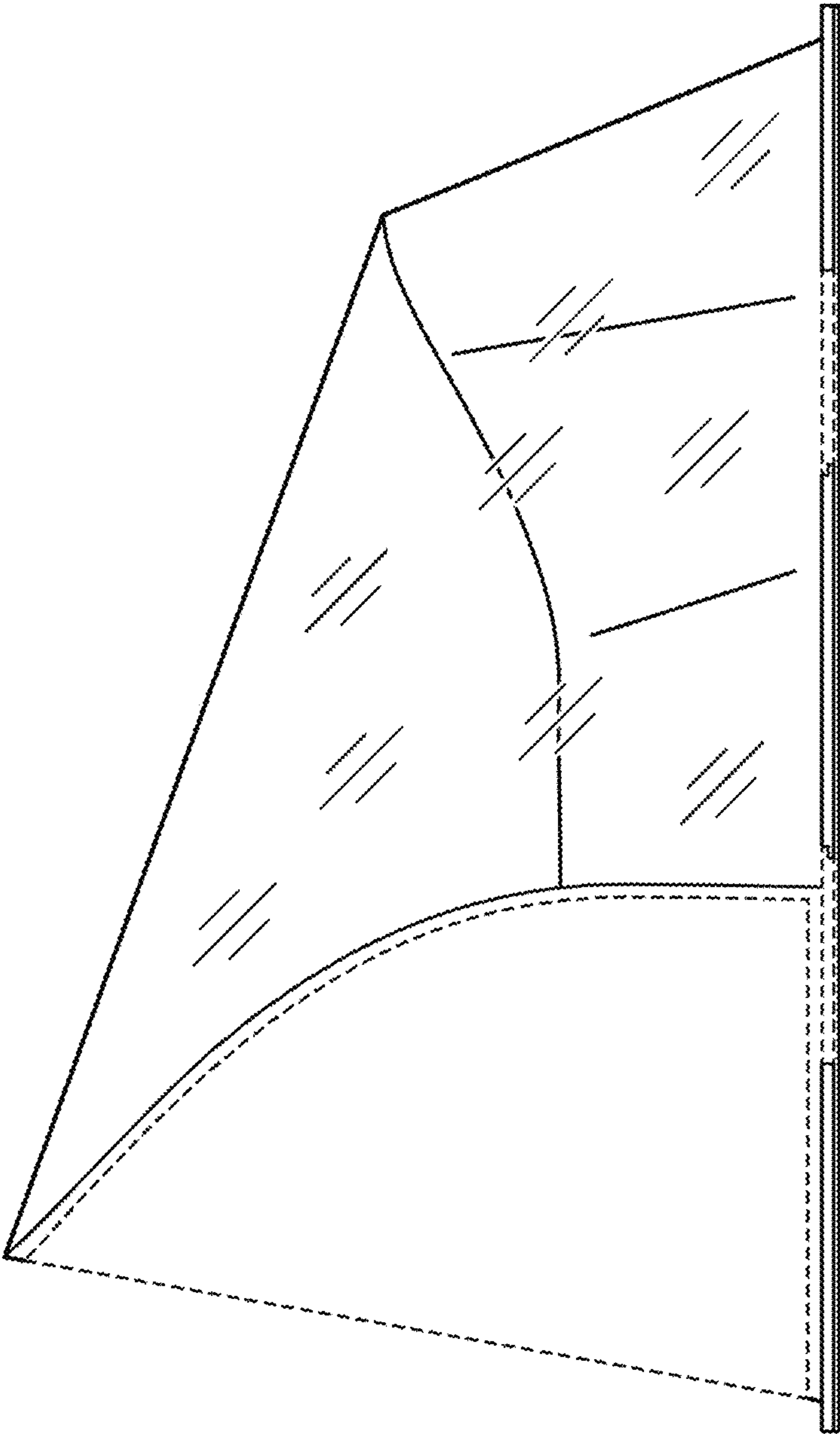
1.2



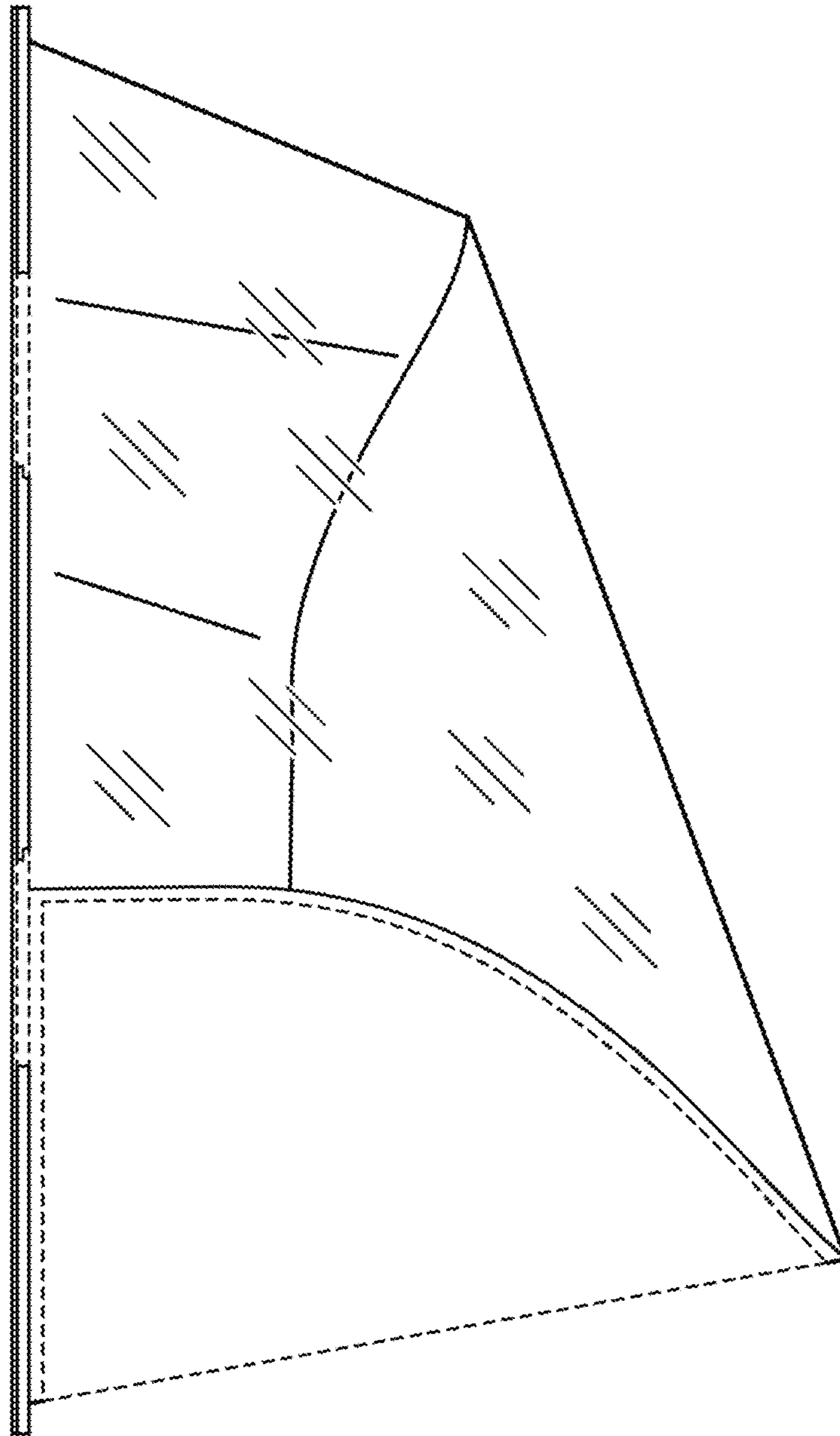
1.3



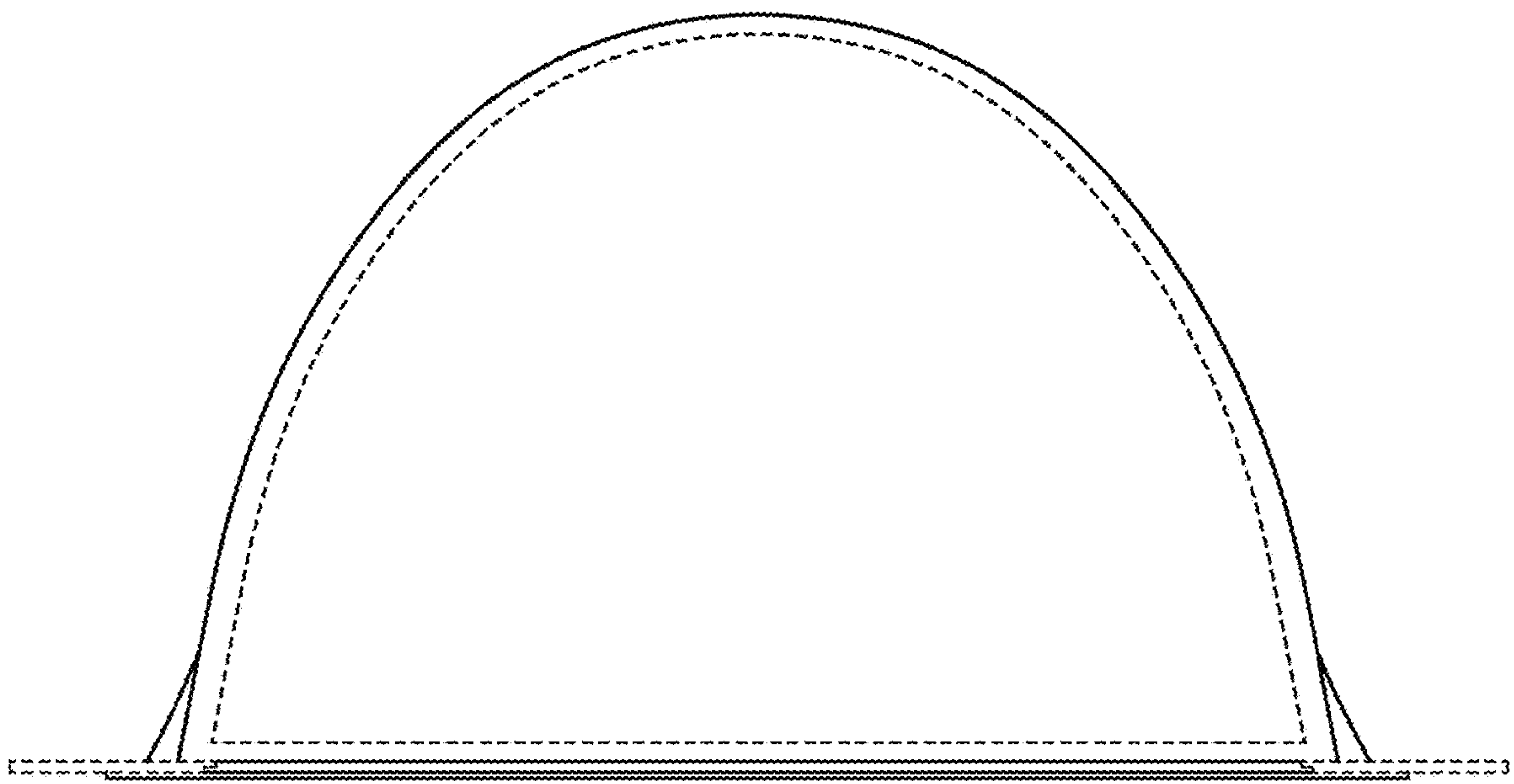
1.4



1.5



1.6



1.7

