



US00D983963S

(12) **United States Design Patent**
Magidson et al.

(10) **Patent No.:** **US D983,963 S**
(45) **Date of Patent:** **** Apr. 18, 2023**

(54) **EXOSKELETON FOR A RESPIRATOR MASK**

(71) Applicant: **MOLDEX-METRIC, INC.**, Culver City, CA (US)

(72) Inventors: **Mark Magidson**, Los Angeles, CA (US); **Sukwon Kang**, Torrance, CA (US); **Ryan Menezes**, Los Angeles, CA (US)

(73) Assignee: **Moldex-Metric, Inc.**, Culver City, CA (US)

(**) Term: **15 Years**

(21) Appl. No.: **29/767,065**

(22) Filed: **Jan. 20, 2021**

(51) **LOC (14) Cl.** **29-02**

(52) **U.S. Cl.**
USPC **D24/110.1**

(58) **Field of Classification Search**
USPC D24/110, 110.1-110.6, 129, 162, 164;
D29/102, 105, 106, 107, 108, 110
CPC .. A61M 16/00; A61M 16/06; A61M 16/0616;
A61M 16/0622; A62B 18/006; A62B 7/10; A62B 18/045; A62B 18/08; A62B 18/04; A62B 18/02; A62B 18/00; A62B 23/025; A62B 23/02; A42B 3/286; A42B 3/288; A41D 13/11; A41D 13/1107; A41D 13/1161; A41D 13/1169; A41D 2400/52; A41D 13/1176

See application file for complete search history.

(56) **References Cited**

U.S. PATENT DOCUMENTS

D585,979 S * 2/2009 Stallard D24/110.4
D594,111 S * 6/2009 Reid D24/110.4
D653,328 S * 1/2012 Eves D24/110.5
D687,142 S * 7/2013 Rothermel D24/110.4
D689,186 S * 9/2013 McCracken D24/110.4

D771,241 S * 11/2016 Skipper D24/110.4
D841,150 S * 2/2019 Collazo D24/110.1
D863,544 S * 10/2019 Collazo D24/110.2
D903,097 S * 11/2020 Costella D24/110.1
D906,514 S * 12/2020 Law D24/110.4
2016/0051783 A1* 2/2016 Ho A61M 16/06
29/557

(Continued)

FOREIGN PATENT DOCUMENTS

EM 007949169-0001 * 5/2020
IN 331001-001-0001 * 8/2020

OTHER PUBLICATIONS

“Moldex: 7000 Series Respirator Facepiece”. Found online at Amazon.com. Aug. 11, 2022. Reference dated May 5, 2012. Retrieved from <https://www.amazon.com/SEPTLS5077003-Moldex-7000-Respirator-Facepieces/dp/B00L2JDAZ0>.*

(Continued)

Primary Examiner — Kendra Leslie Hamilton

Assistant Examiner — Elizabeth S Struble

(74) *Attorney, Agent, or Firm* — Schwegman Lundberg & Woessner, P.A.

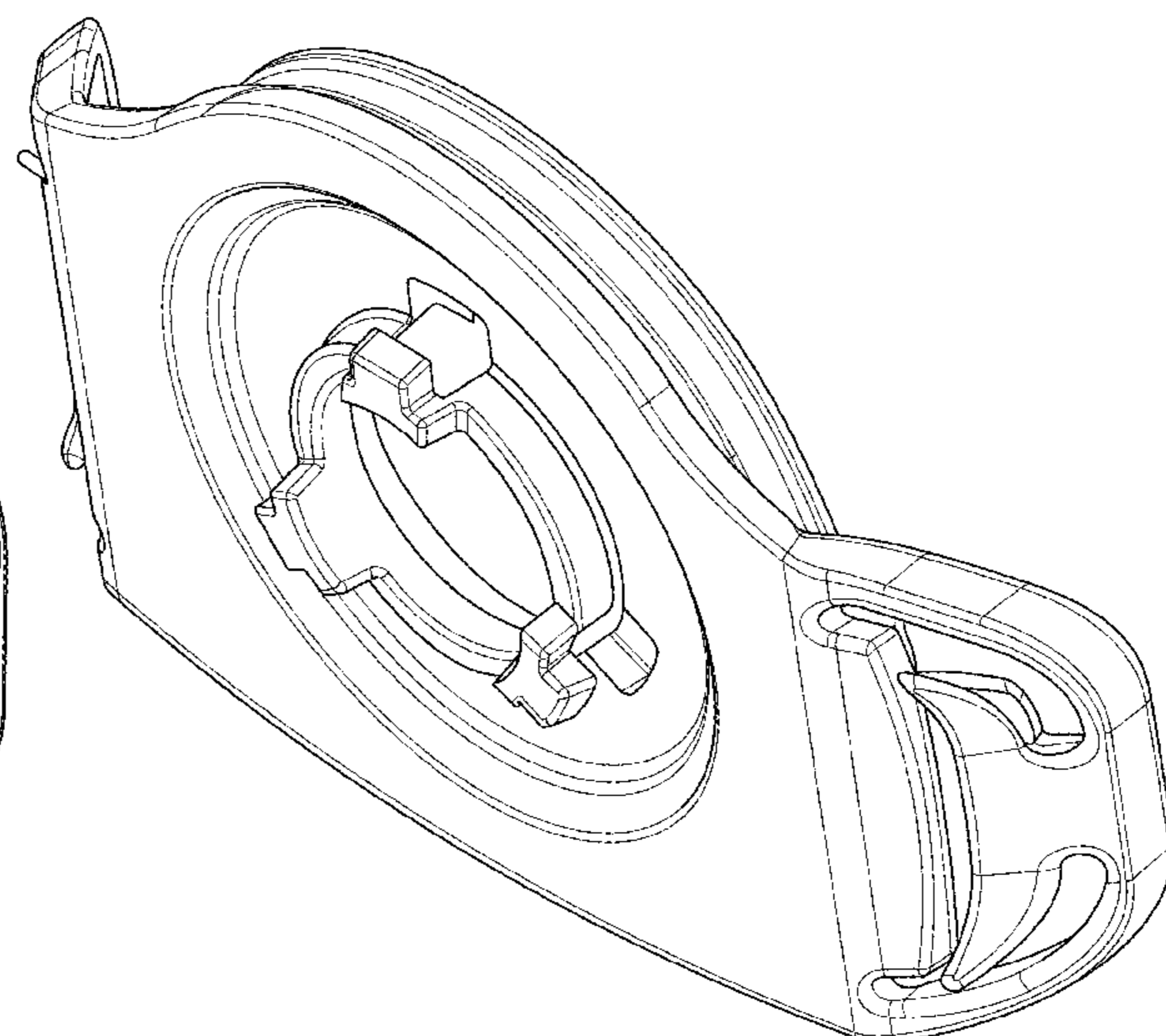
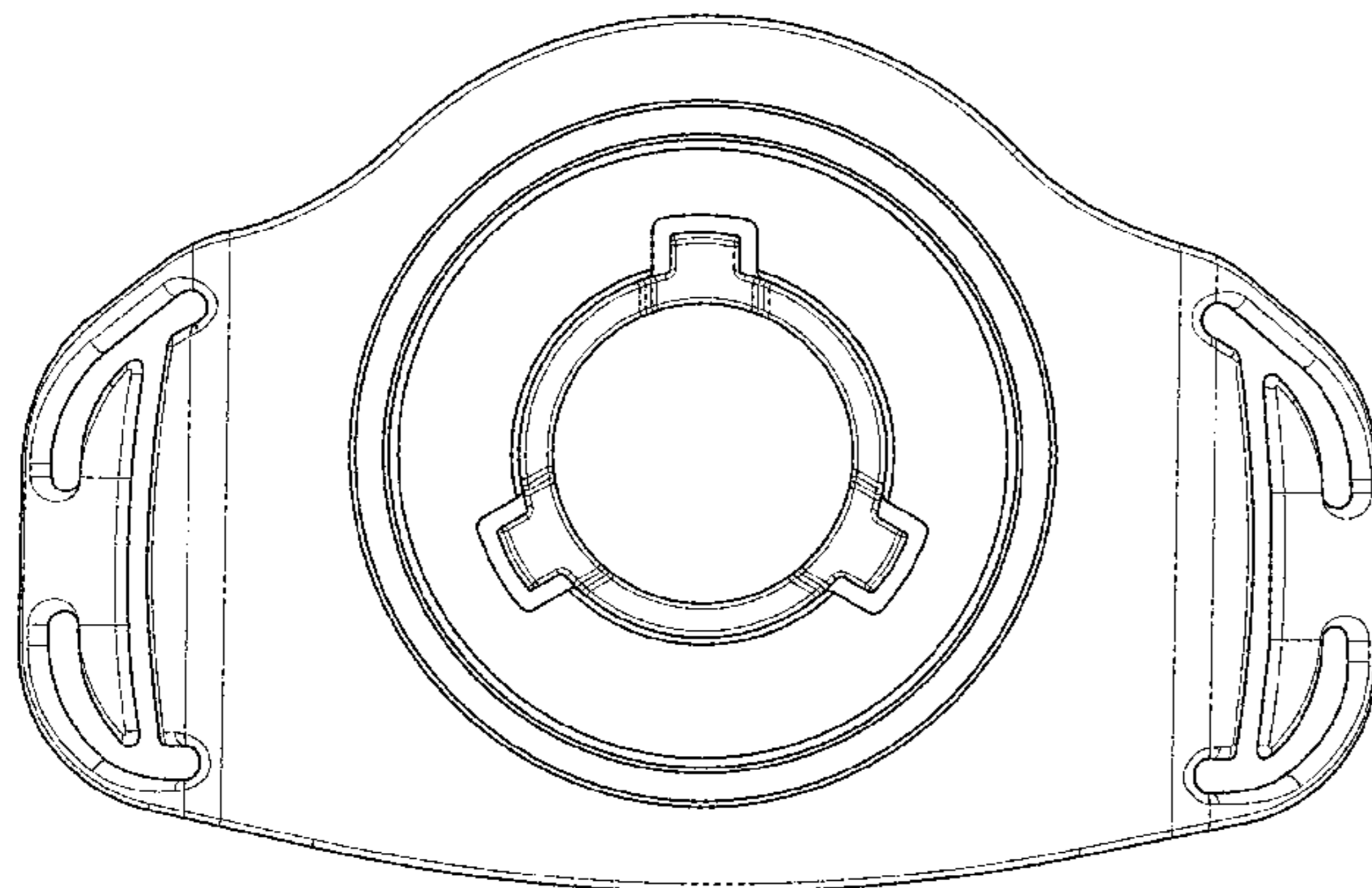
(57) **CLAIM**

The ornamental design for an exoskeleton for a respirator mask, as shown and described.

DESCRIPTION

FIG. 1 is a front view of an exoskeleton for a respirator mask according to ow new design,
FIG. 2 is a back view thereof,
FIG. 3 is a left side elevational view thereof,
FIG. 4 is a right side elevational view thereof,
FIG. 5 is a top plan view thereof,
FIG. 6 is a bottom plan view thereof; and,
FIG. 7 is a front perspective view thereof.

1 Claim, 5 Drawing Sheets



(56)

References Cited

U.S. PATENT DOCUMENTS

2019/0321661 A1* 10/2019 Vanderham A61M 16/0605
2020/0197645 A1* 6/2020 Baiko A61M 16/0683

OTHER PUBLICATIONS

“Leeko: Anti-dust Spray Chemical Gas Dual Cartridge Respirator”. Found online at Amazon.com. Aug. 11, 2022. Reference dated Oct. 13, 2016. Retrieved from <https://www.amazon.com/Leeko-Anti-dust-Cartridge-Respirator-Activated/dp/B01M4ILLSI?th=1>.*

“3M: 53P71 Large Dual Cartridge OV/P95 Respirator Assembly”. Found online at Amazon.com. Aug. 11, 2022. Reference dated Jan. 6, 2005. Retrieved from <https://www.amazon.com/3M-53P71-Cartridge-Respirator-Assembly/dp/B000BQ8DJI>.*

“Safety Works: SWX00318 Paint and Pesticide Respirator”. Found online at Amazon.com. Aug. 11, 2022. Reference dated Feb. 7, 2017. Retrieved from <https://www.amazon.com/Safety-Works-SWX00318-Pesticide-Respirator/dp/B01MZIH4DF>.*

* cited by examiner

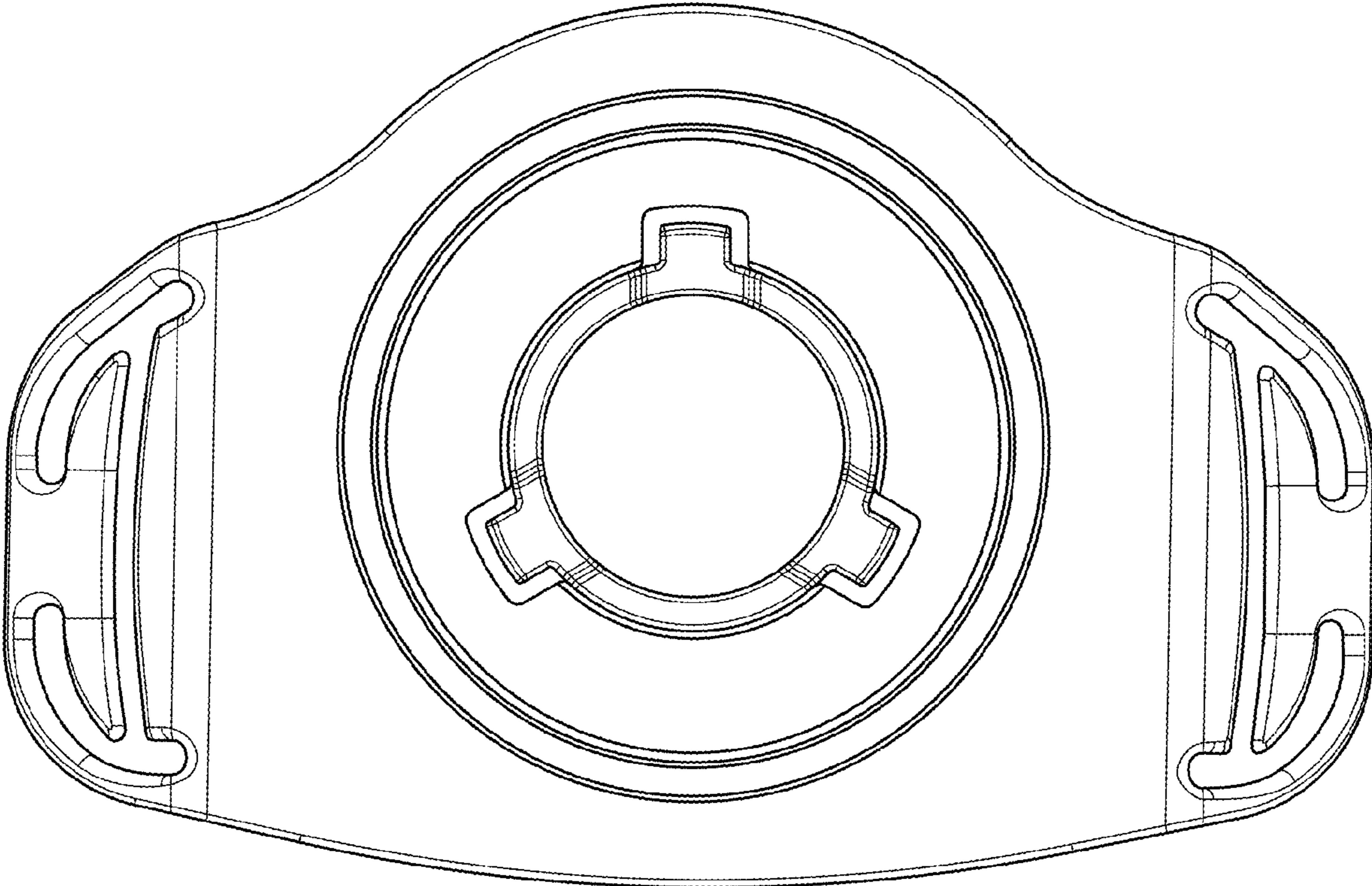


FIG. 1

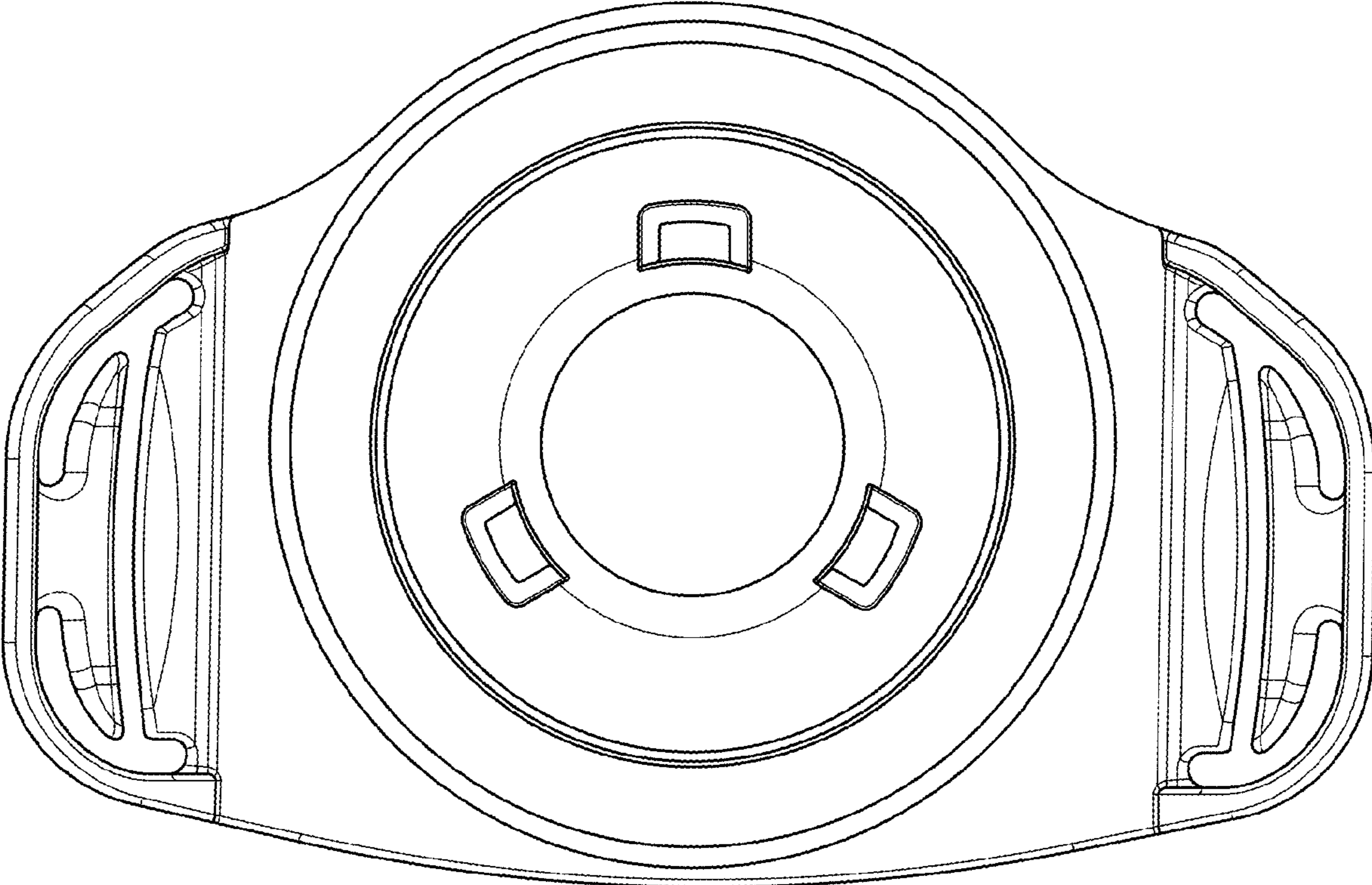


FIG. 2

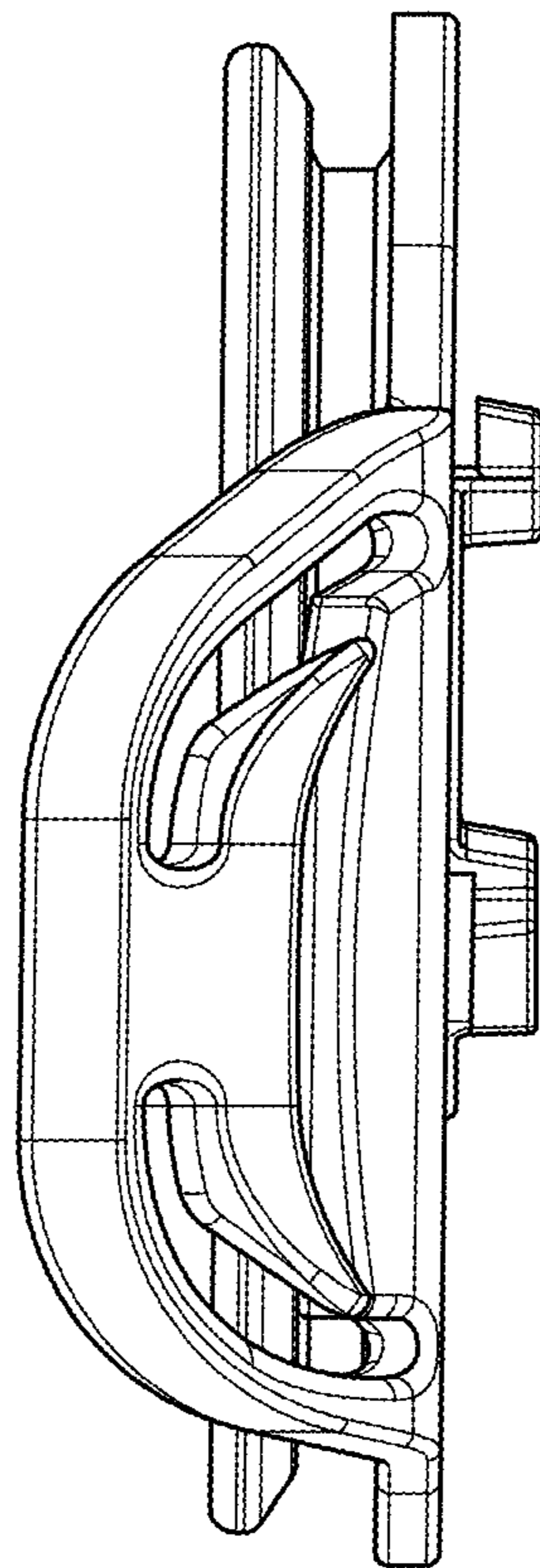


FIG. 3

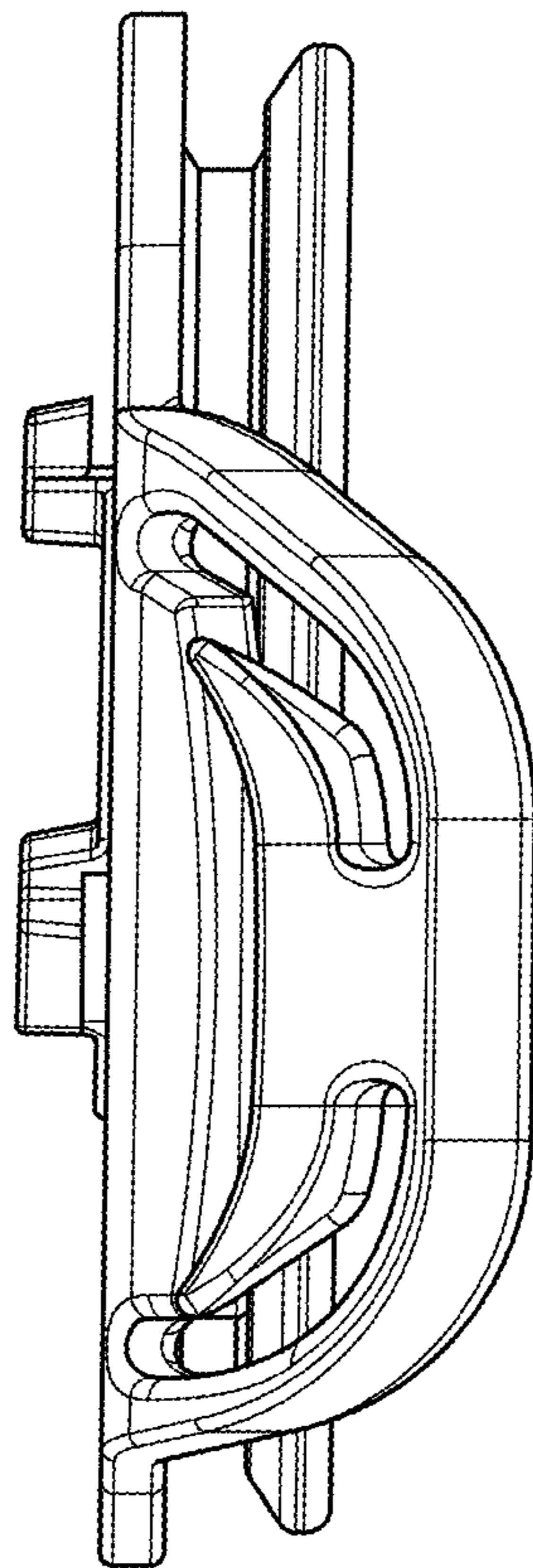


FIG. 4

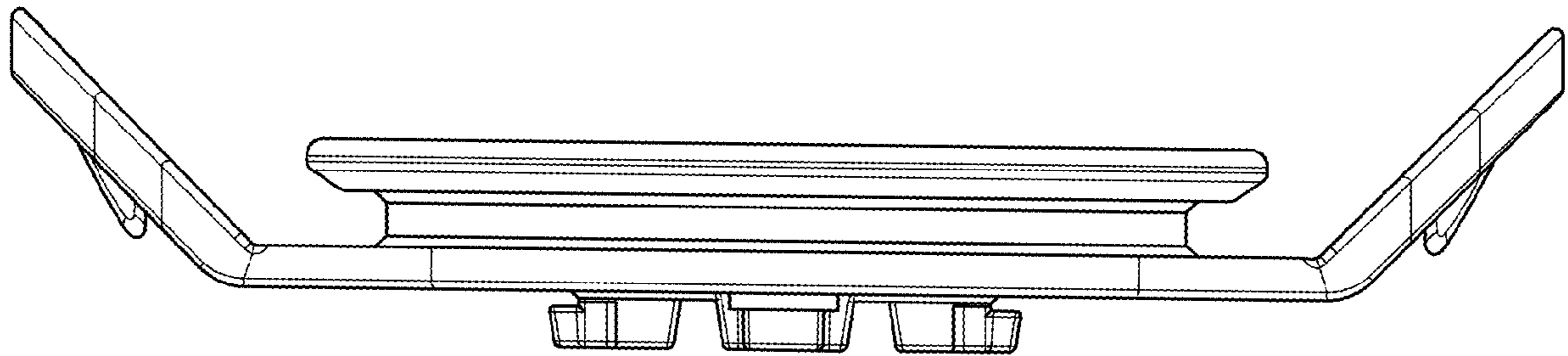


FIG. 5

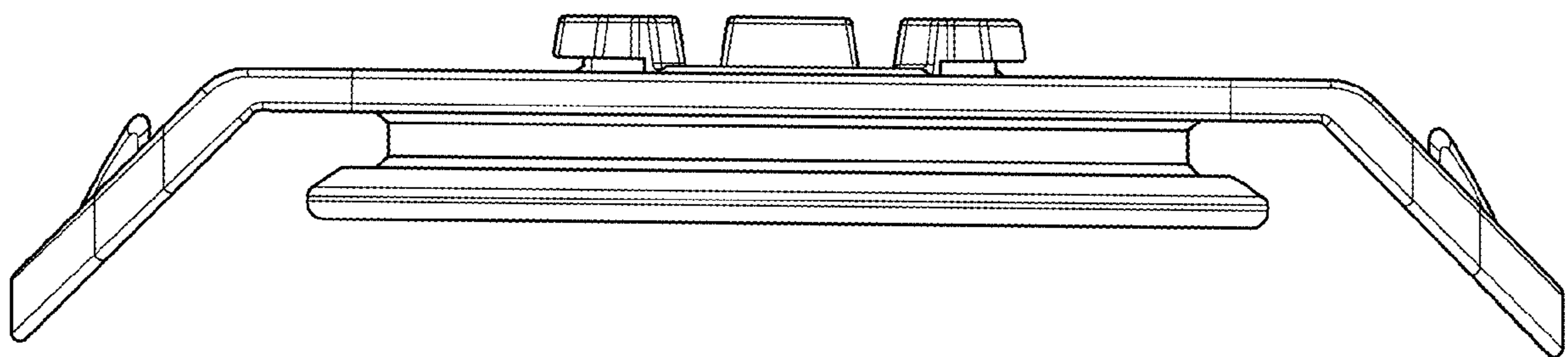


FIG. 6

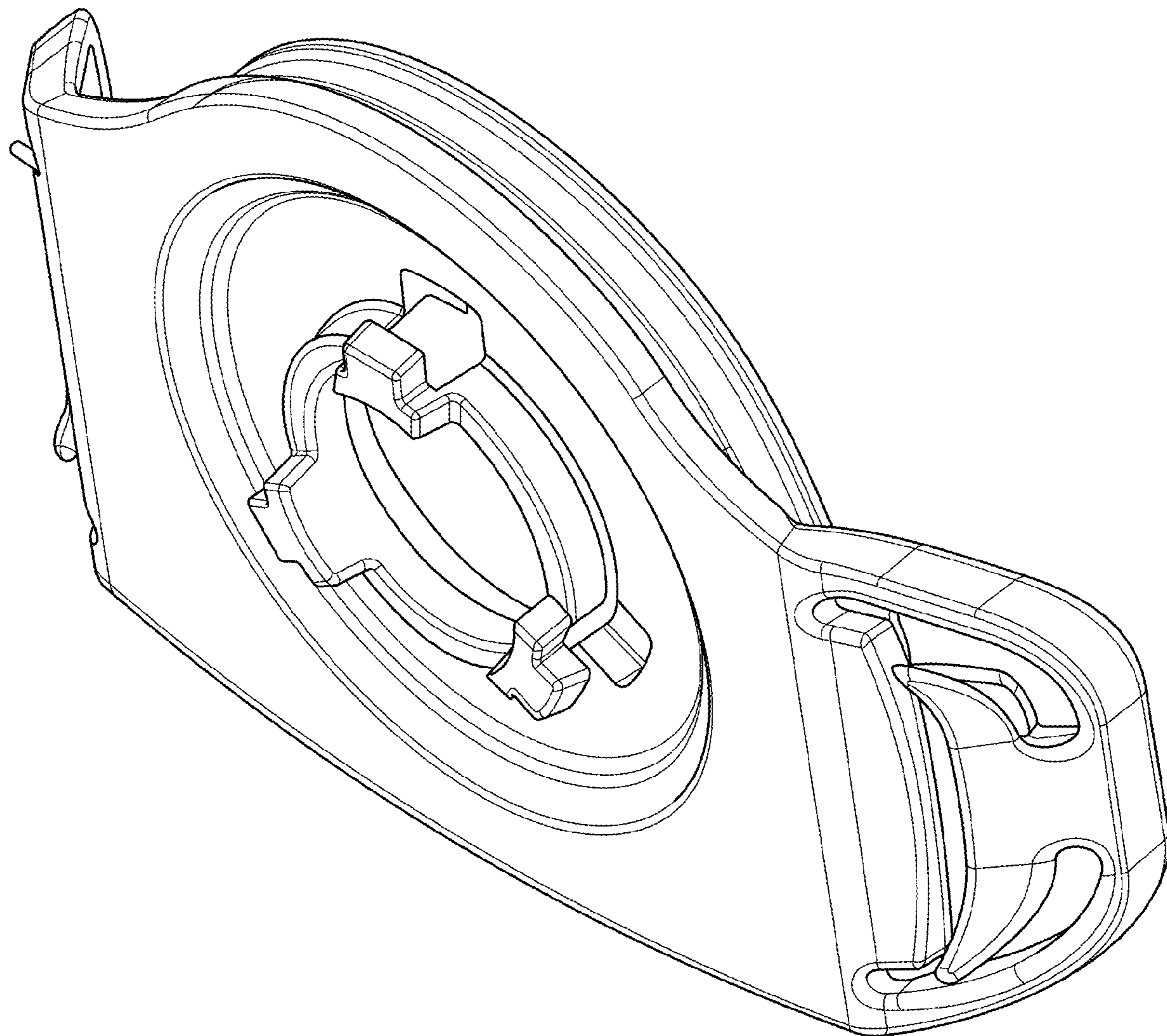


FIG. 7

UNITED STATES PATENT AND TRADEMARK OFFICE
CERTIFICATE OF CORRECTION


PATENT NO. : D983,963 S
APPLICATION NO. : 29/767065
DATED : April 18, 2023
INVENTOR(S) : Magidson et al.

Page 1 of 1

It is certified that error appears in the above-identified patent and that said Letters Patent is hereby corrected as shown below:

In the Specification

In Column 2, under "Description", Line 2, delete "ow" and insert --our-- therefor

Signed and Sealed this
Eighth Day of October, 2024

Katherine Kelly Vidal
Director of the United States Patent and Trademark Office