



US00D983962S

(12) **United States Design Patent**
Cannan et al.

(10) **Patent No.:** **US D983,962 S**
(45) **Date of Patent:** **** Apr. 18, 2023**

- (54) **COMPLIANCE MONITOR FOR A MEDICAMENT INFUSER**
- (71) Applicant: **Adherium (NZ) Limited**, Auckland (NZ)
- (72) Inventors: **Stuart Malcolm Cannan**, Auckland (NZ); **Nigel John Devine**, Auckland (NZ); **Michael James Gormack**, Auckland (NZ); **Benjamin Lance Catt**, Auckland (NZ)
- (73) Assignee: **Adherium (NZ) Limited**, Auckland (NZ)
- (**) Term: **15 Years**
- (21) Appl. No.: **29/798,528**
- (22) Filed: **Jul. 8, 2021**
- (51) **LOC (14) Cl.** **29-02**
- (52) **U.S. Cl.**
USPC **D24/110**
- (58) **Field of Classification Search**
USPC D24/107, 108, 110, 110.5, 127, 164, 360
CPC A61M 15/00; A61M 15/0025; A61M 15/0026; A61M 15/005; A61M 15/0065; A61M 15/0071; A61M 15/0091; A61M 11/00; A61M 11/02; A61M 11/04; A61K 9/007; A61K 9/0073; A61K 9/0075; A61K 9/0078; A61K 9/008
See application file for complete search history.

(56) **References Cited**

U.S. PATENT DOCUMENTS

- 7,832,393 B2 * 11/2010 Vito A61M 15/0086
128/200.23
- D837,969 S * 1/2019 Sutherland D24/127
- D882,063 S * 4/2020 Sutherland D24/127
- D882,064 S * 4/2020 Sutherland D24/127
- 10,828,434 B2 * 11/2020 Sutherland A61M 15/008

- 2010/0192948 A1 * 8/2010 Sutherland G16H 20/10
128/203.15
- 2010/0252036 A1 * 10/2010 Sutherland G16H 20/10
709/201
- 2014/0053833 A1 * 2/2014 Cline A61M 15/008
128/203.12
- 2014/0182584 A1 * 7/2014 Sutherland A61M 15/008
128/200.23
- 2017/0325734 A1 * 11/2017 Sutherland A61M 15/0041
- 2019/0105450 A1 * 4/2019 Sutherland A61M 15/009
- 2021/0085564 A1 * 3/2021 Beyleveld A61M 15/008
- 2021/0204870 A1 * 7/2021 Sutherland G16H 20/13

* cited by examiner

Primary Examiner — Richard Kearney

Assistant Examiner — Michael Hoffman

(74) *Attorney, Agent, or Firm* — Heisler & Associates

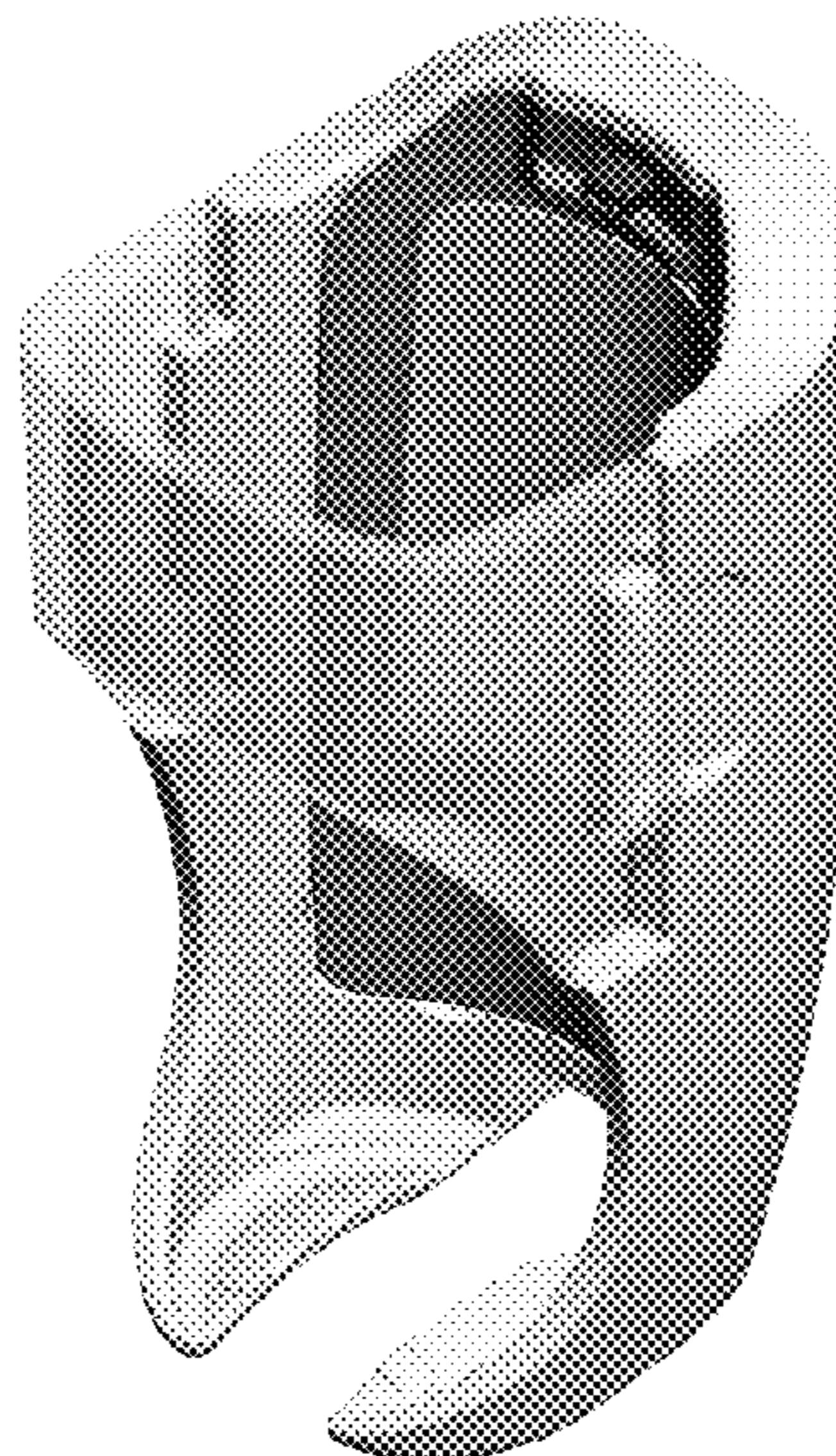
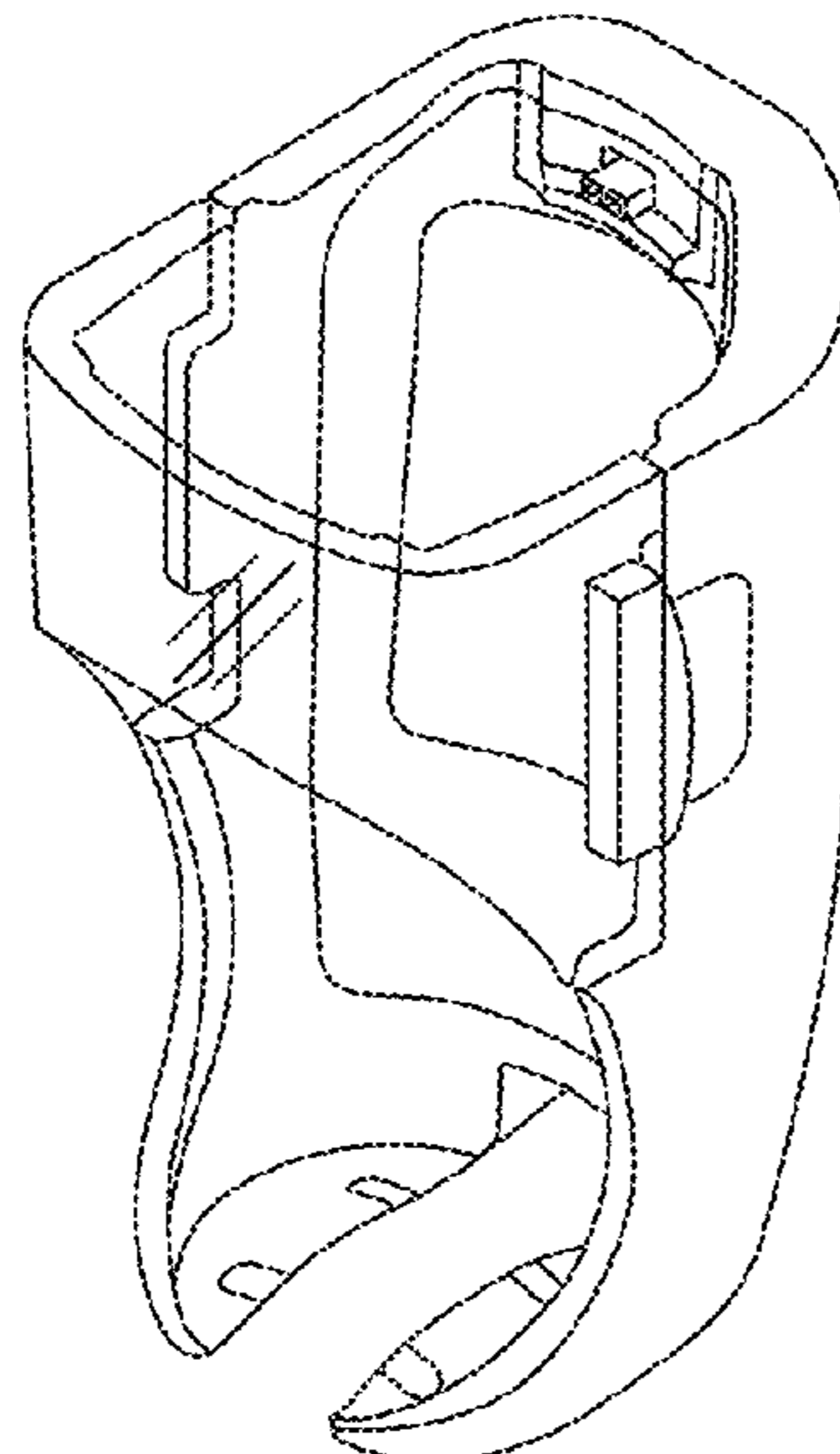
(57) **CLAIM**

The ornamental design for a compliance monitor for a medicament infuser, as shown and described.

DESCRIPTION

FIG. 1 is a left side view of the compliance monitor for a medicament infuser according to a first embodiment;
 FIG. 2 is a front elevation view thereof;
 FIG. 3 is a right side view thereof;
 FIG. 4 is a rear elevation view thereof;
 FIG. 5 is a top plan view thereof;
 FIG. 6 is a bottom plan view thereof;
 FIG. 7 is a perspective view thereof;
 FIG. 8 is a left side view of the compliance monitor for a medicament infuser according to a second embodiment;
 FIG. 9 is a front elevation view thereof;
 FIG. 10 is a right side view thereof;
 FIG. 11 is a rear elevation view thereof;
 FIG. 12 is a top plan view thereof;
 FIG. 13 is a bottom plan view thereof; and,
 FIG. 14 is a perspective view thereof.

1 Claim, 14 Drawing Sheets



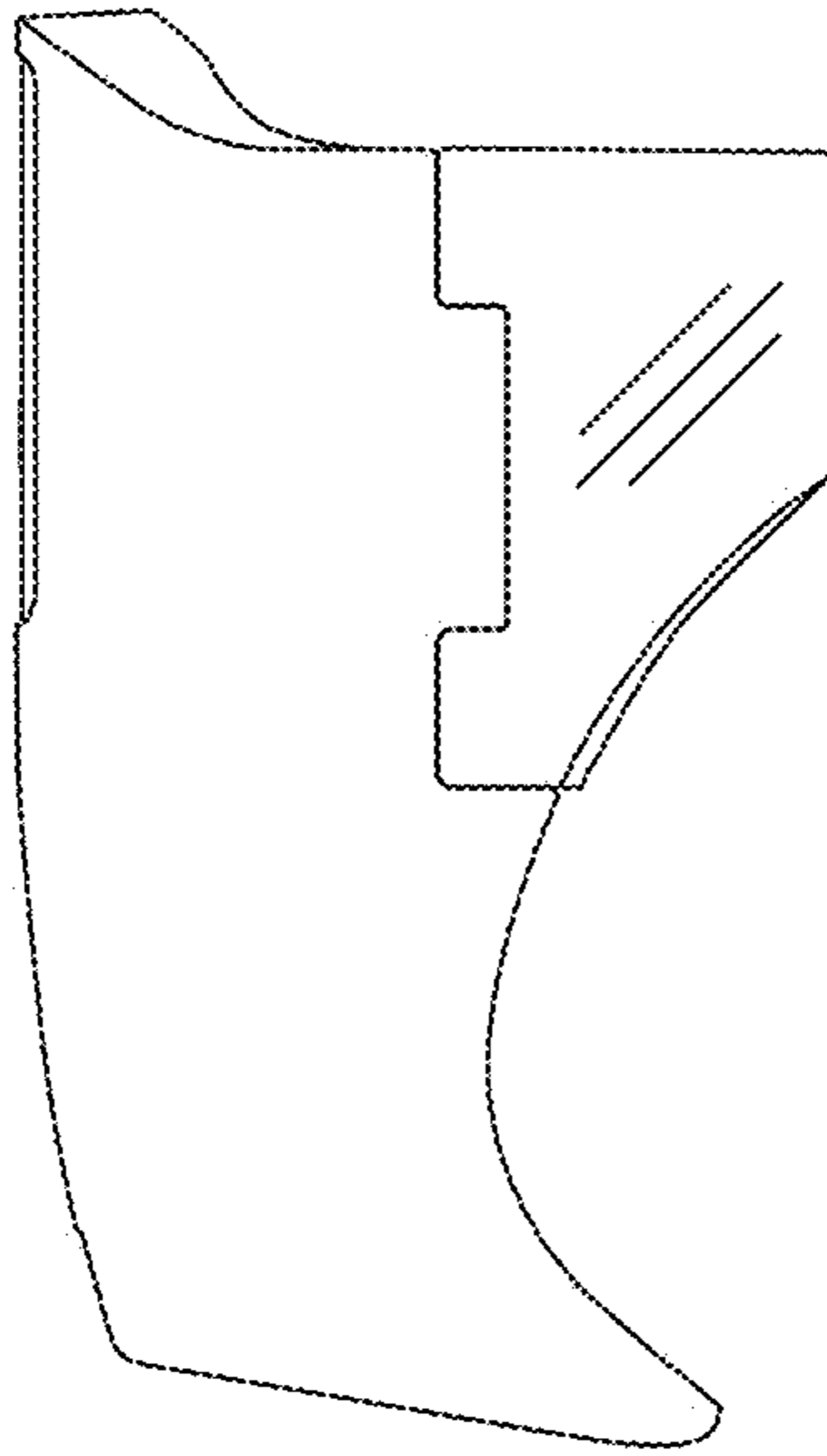


Fig. 1

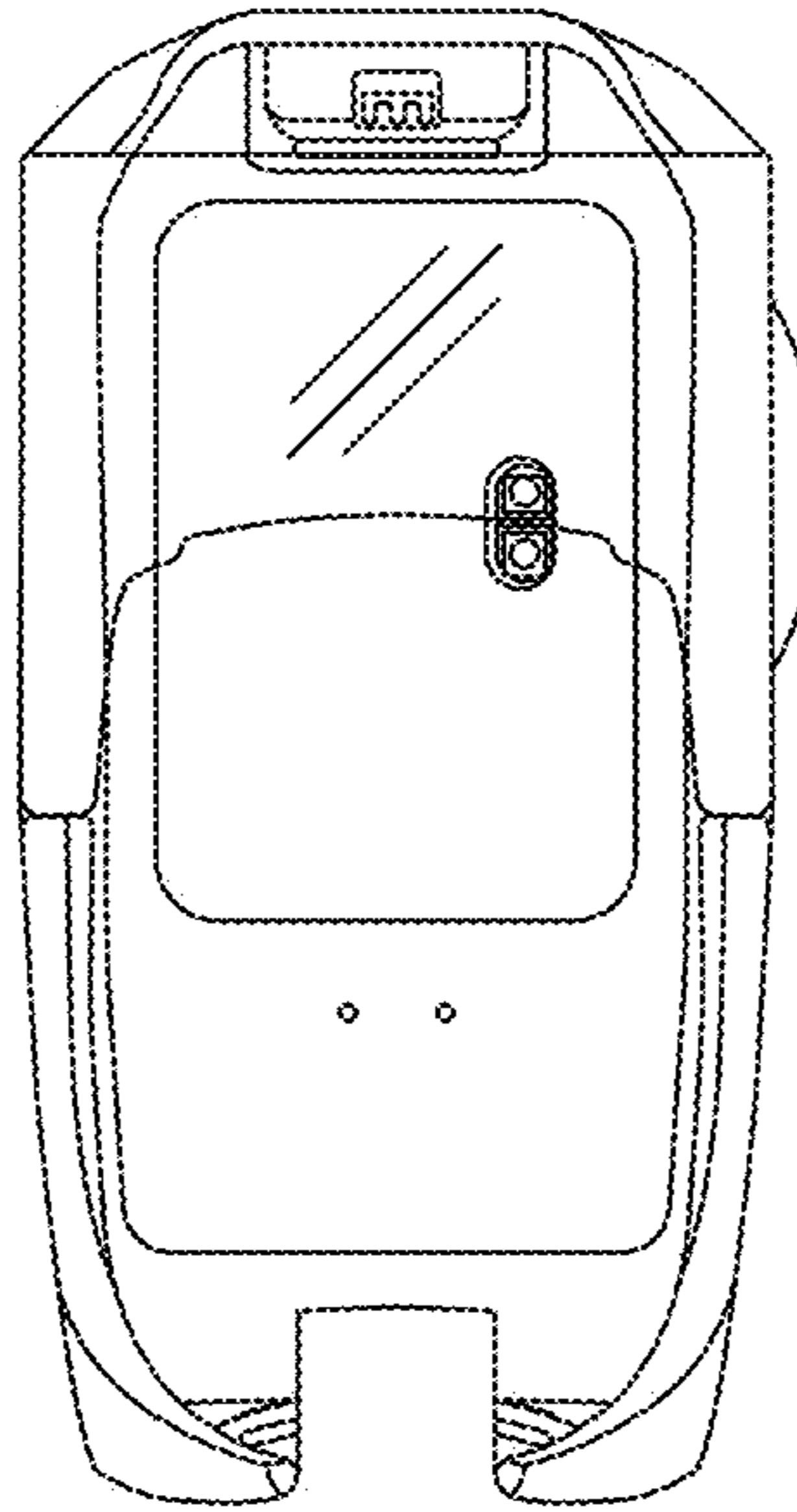


Fig. 2

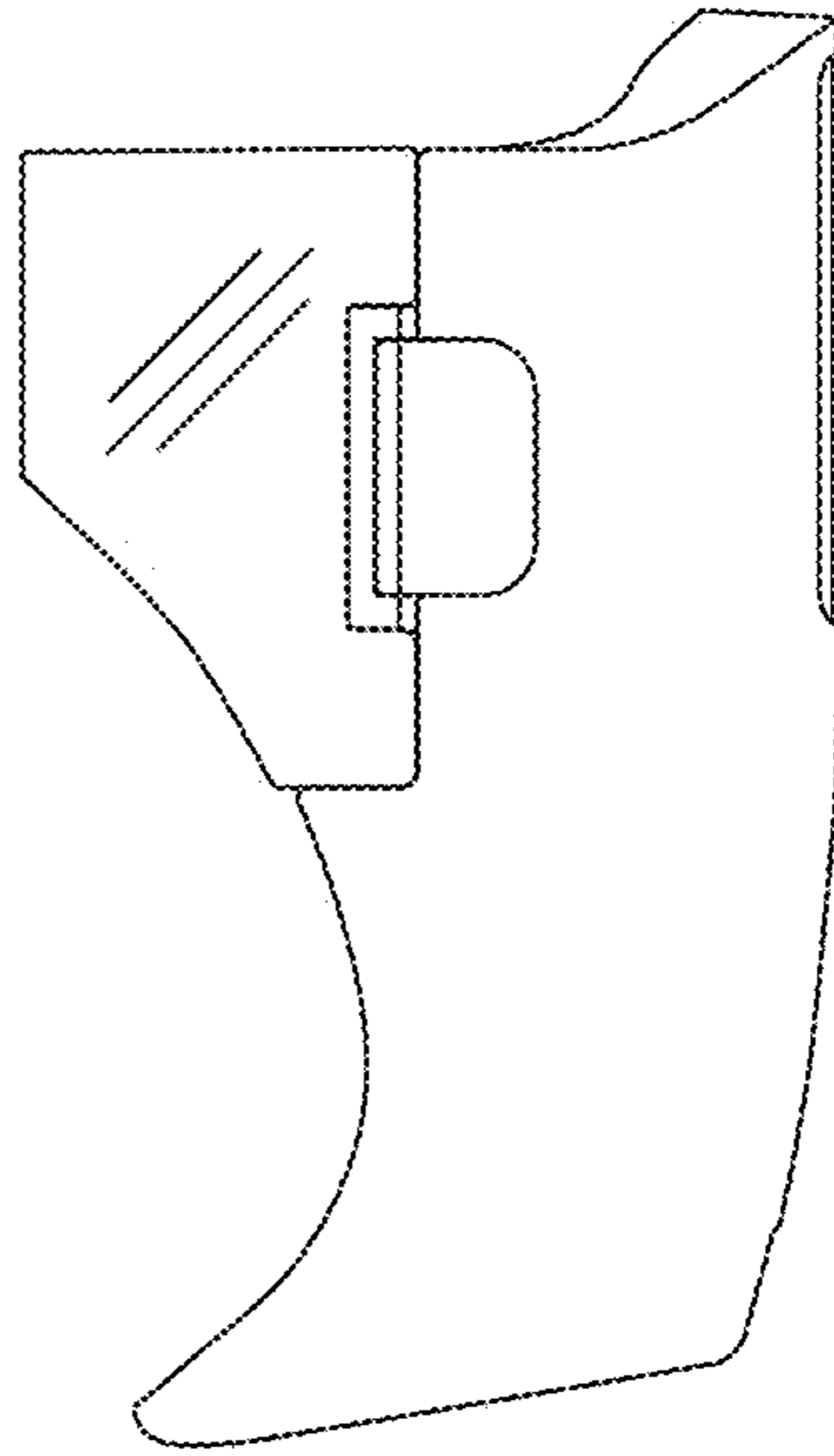


Fig. 3

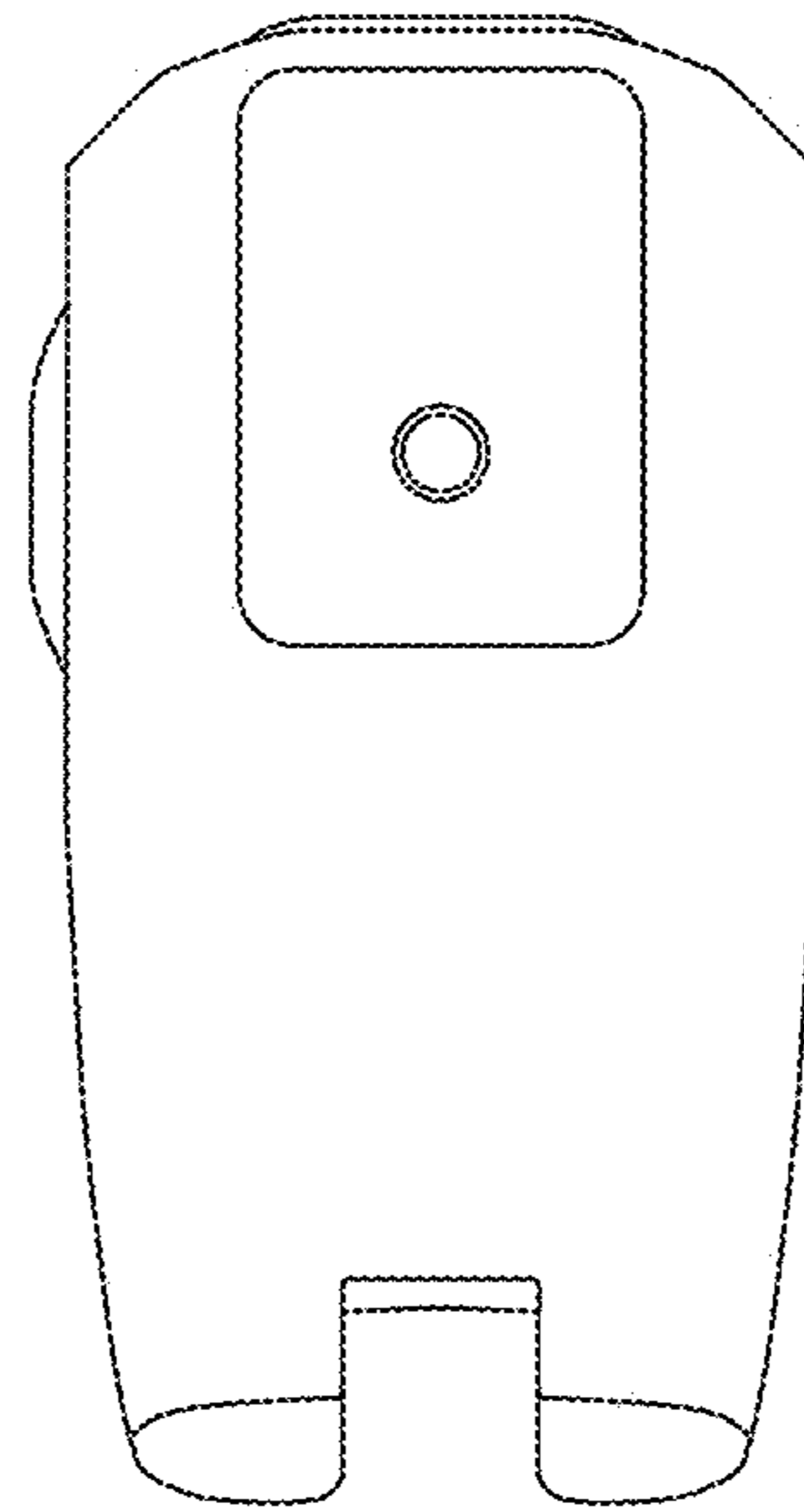


Fig. 4

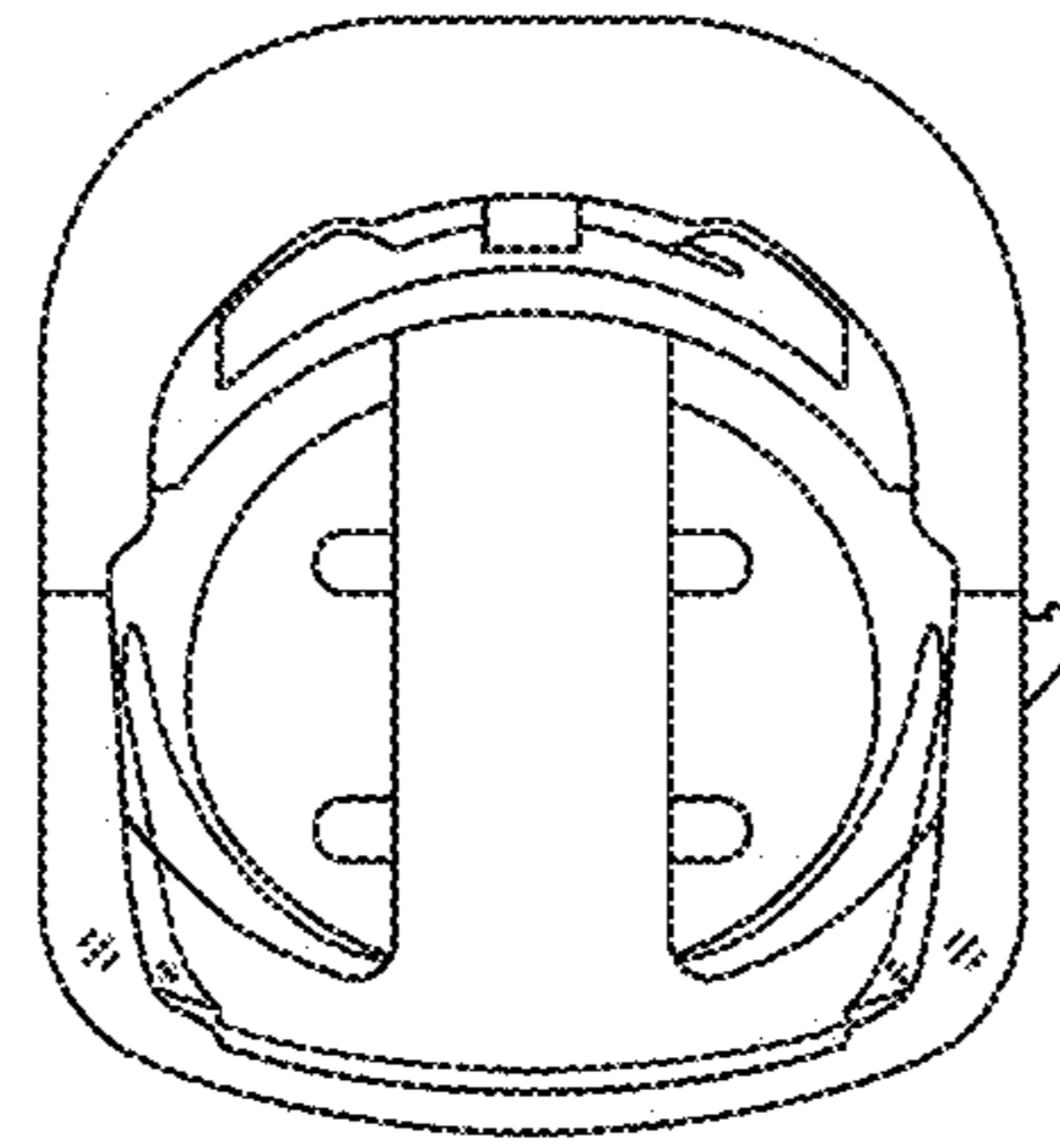


Fig. 5

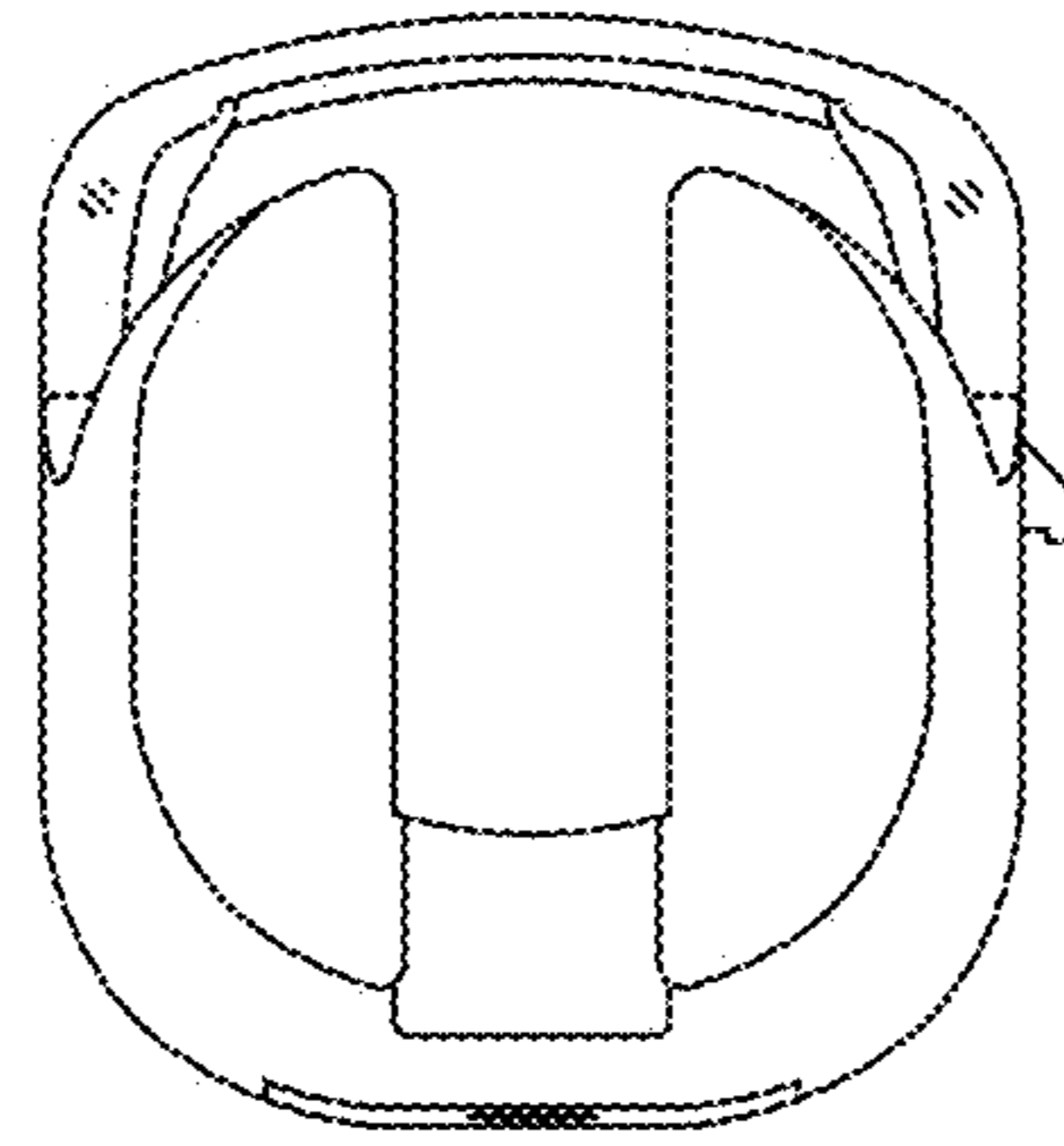


Fig. 6

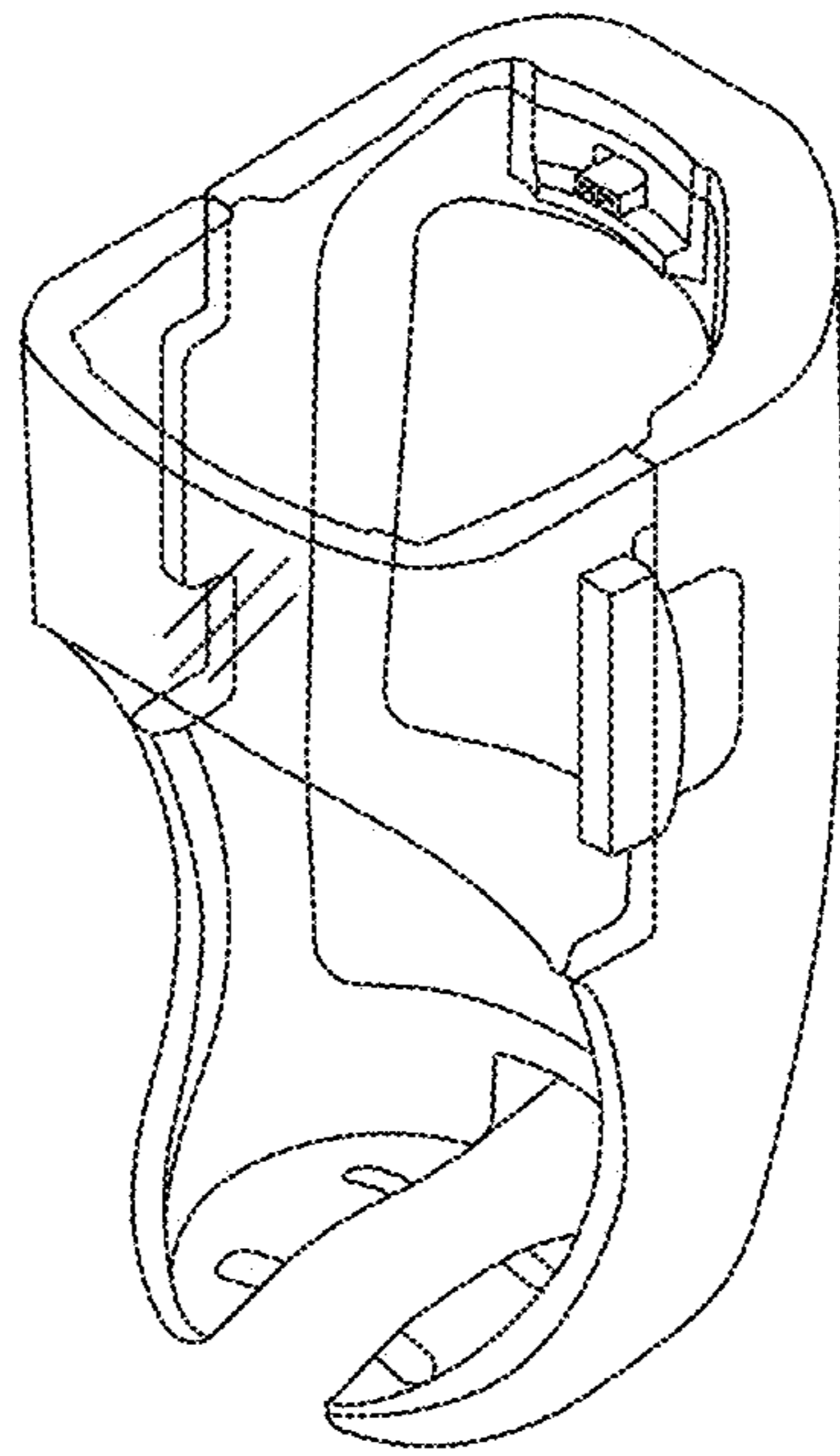


Fig. 7

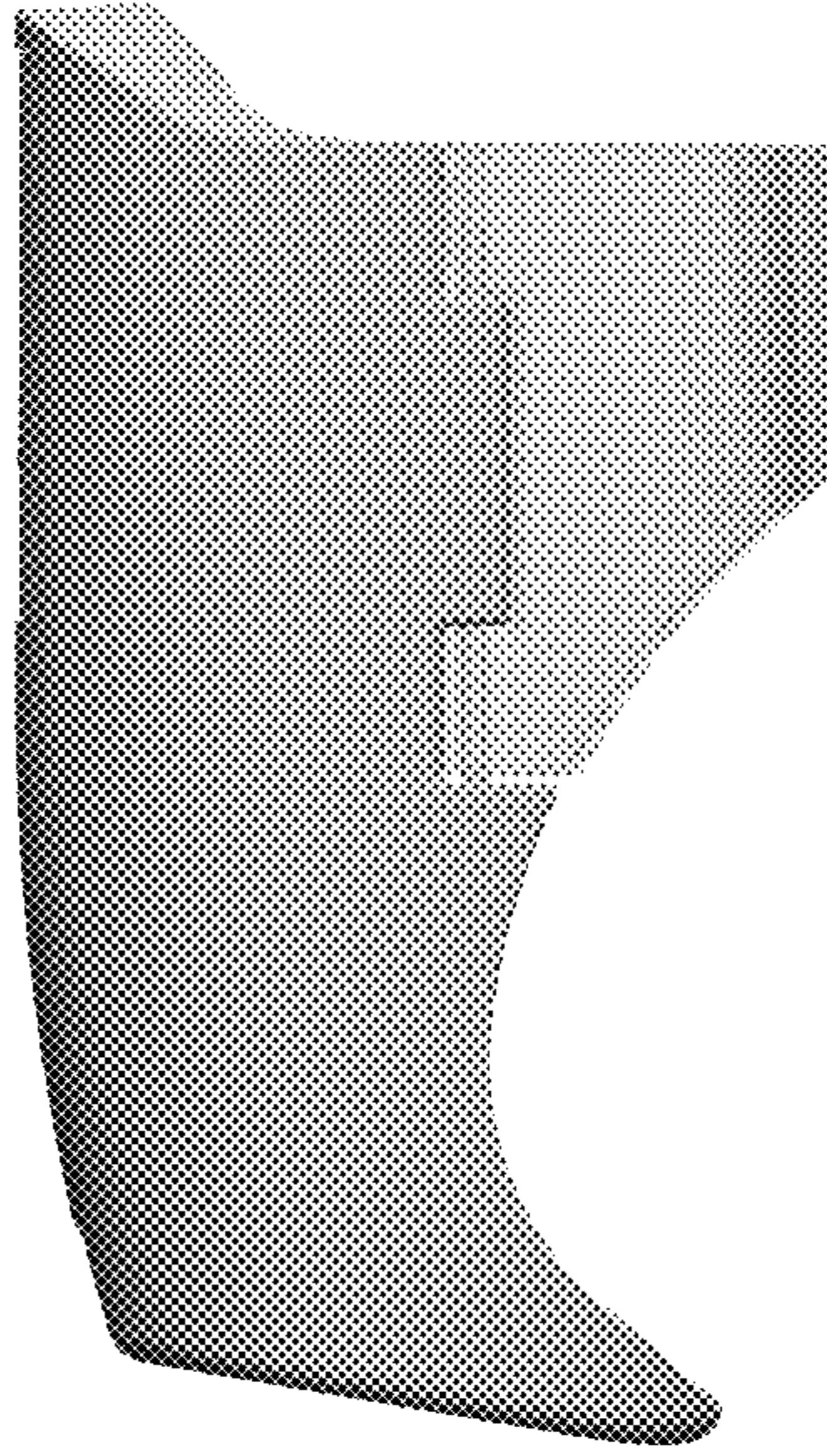


Fig. 8

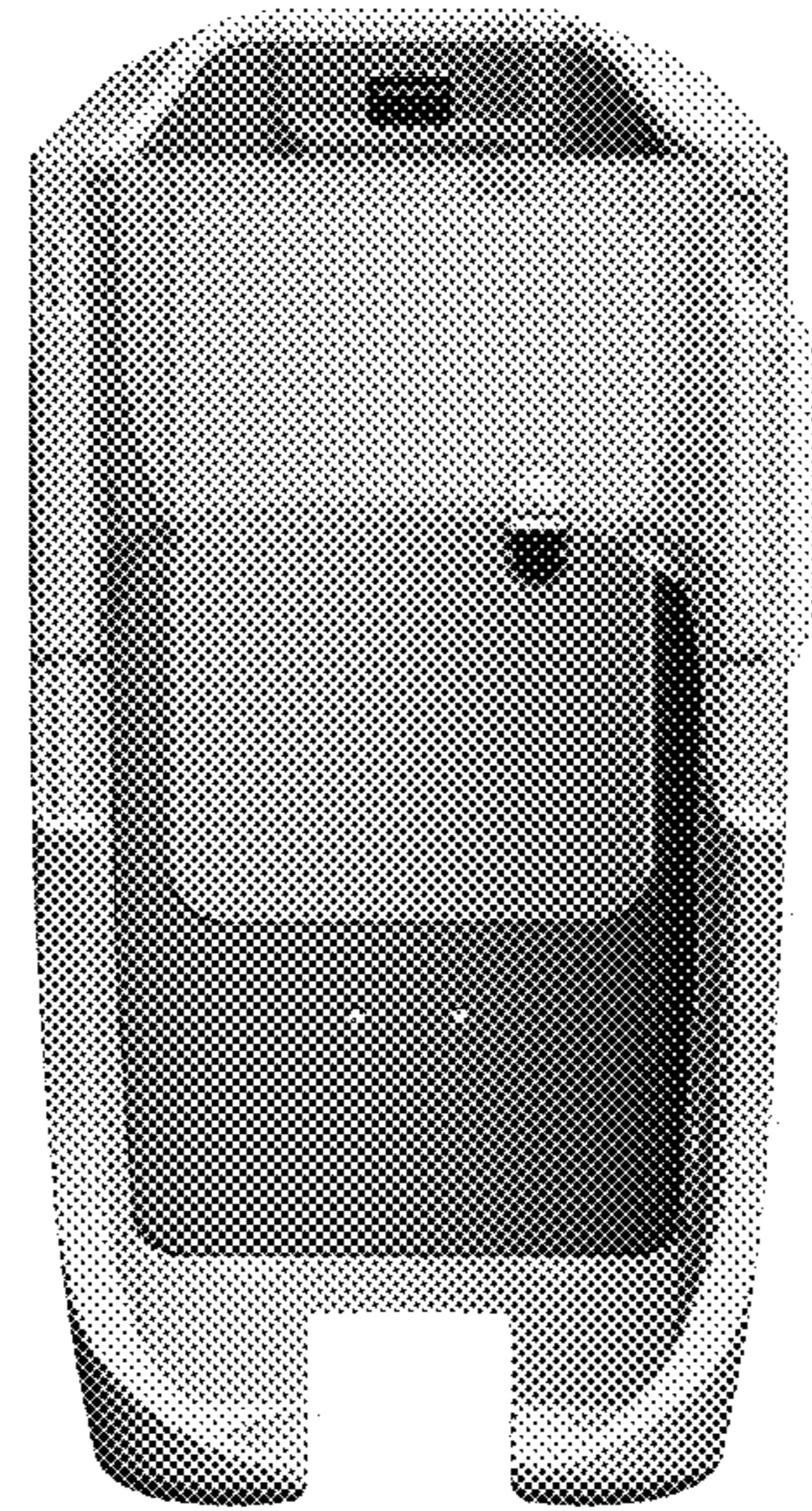


Fig. 9

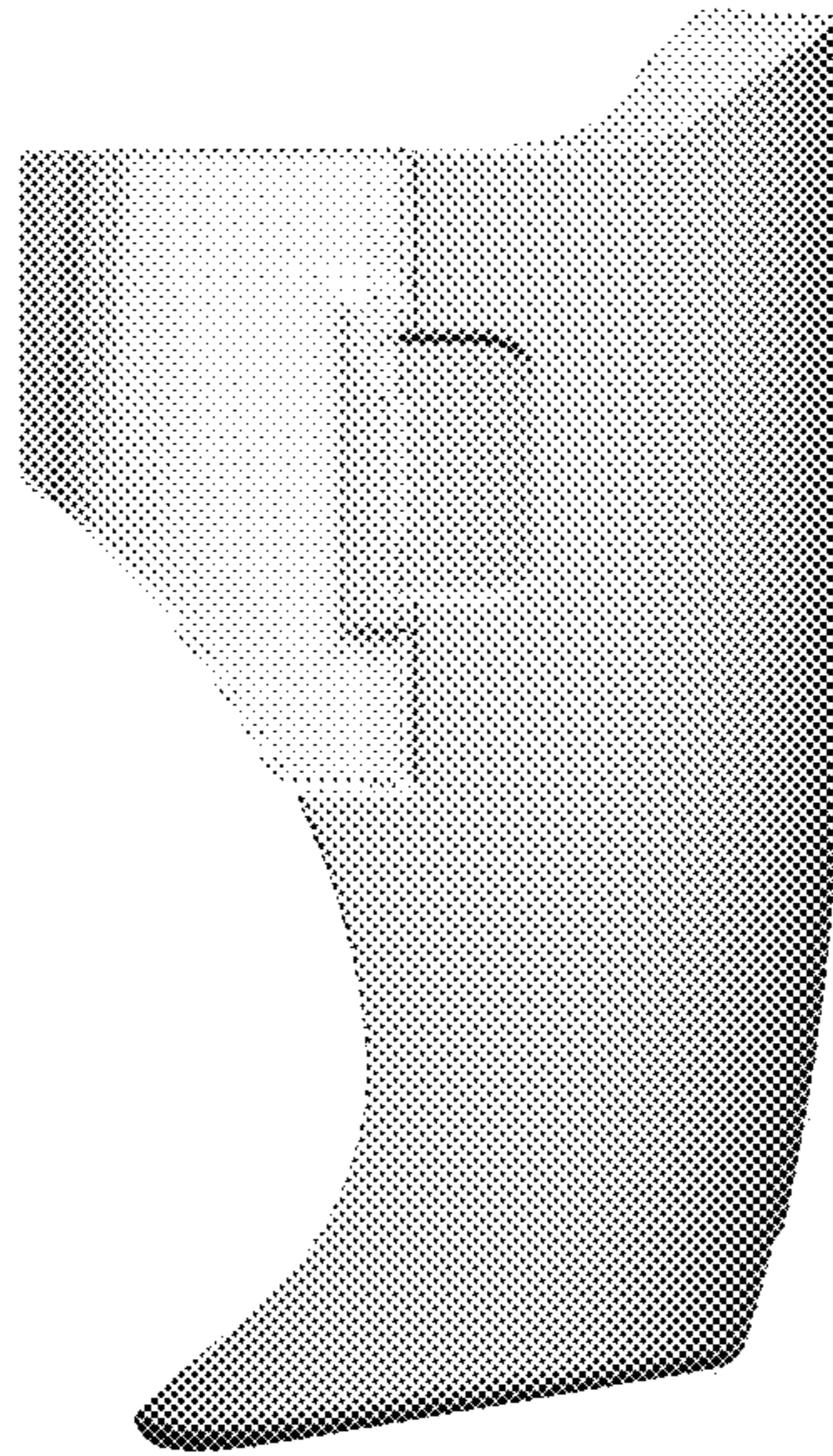


Fig. 10



Fig. 11

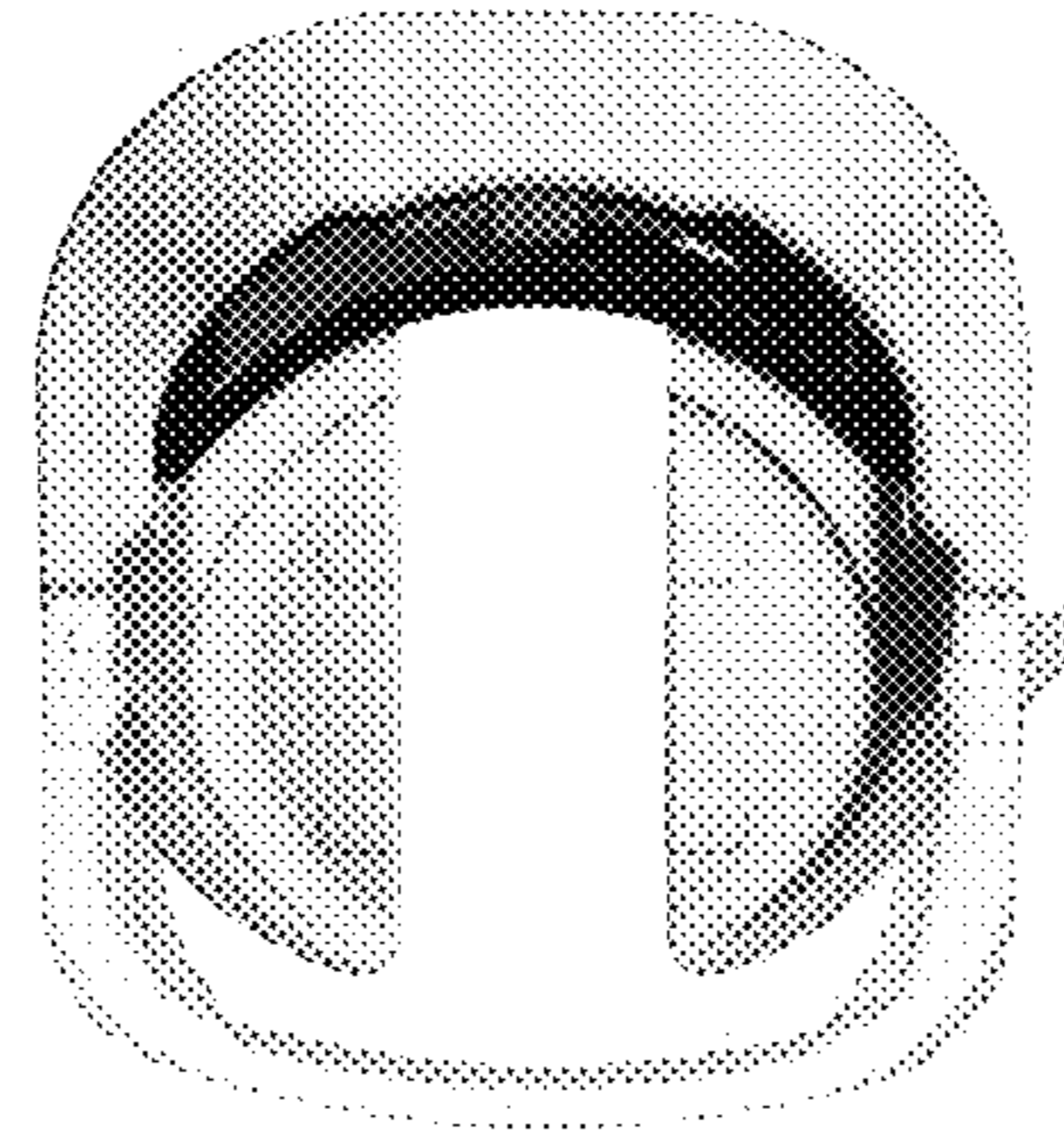


Fig. 12

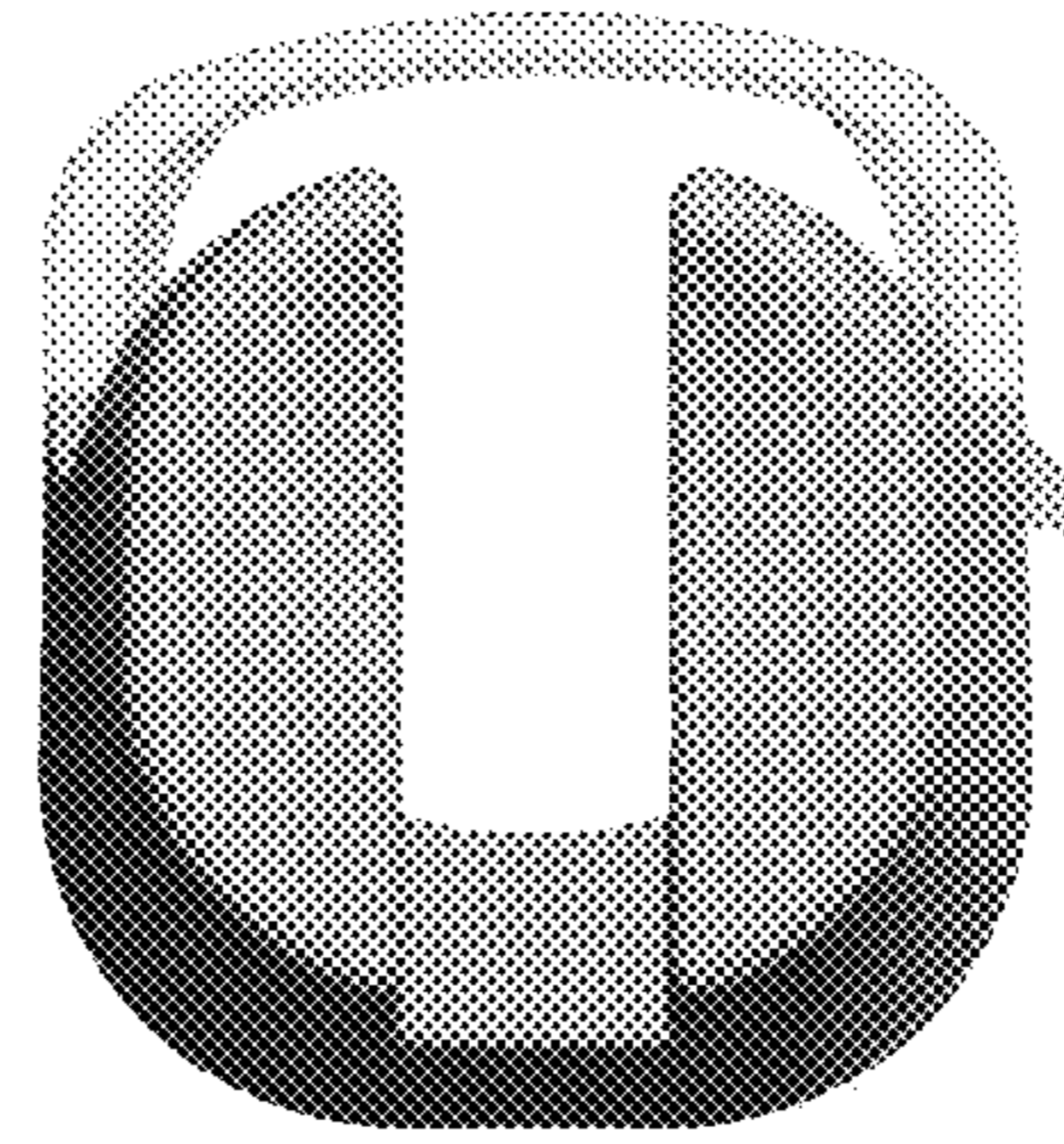


Fig. 13

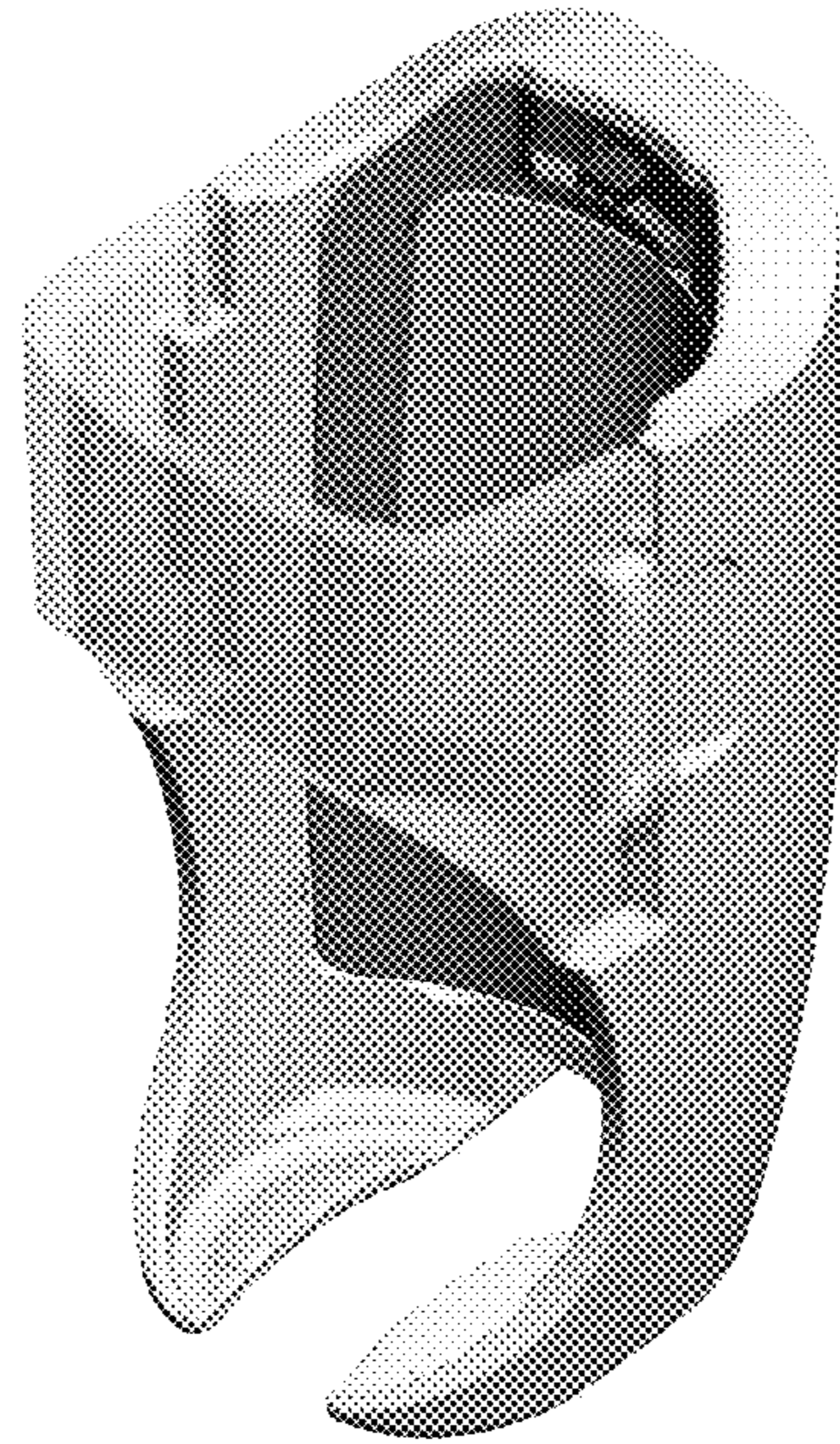


Fig. 14