



US00D983961S

(12) **United States Design Patent** (10) **Patent No.:** **US D983,961 S**  
**Cavatorta et al.** (45) **Date of Patent:** **\*\* Apr. 18, 2023**

(54) **INHALER**

(71) Applicant: **APTAR FRANCE SAS**, Le Neubourg (FR)

(72) Inventors: **Matthieu Cavatorta**, Autouillet (FR); **David Fabien**, Corseul (FR); **Cyril Meziere**, Villeurbanne (FR); **Jeremy Tournois**, Saint Etienne du Rouvray (FR); **Matthieu Walter**, Villepreux (FR)

(73) Assignee: **APTAR FRANCE SAS**, Le Neubourg (FR)

(\*\*) Term: **15 Years**

(21) Appl. No.: **29/746,401**

(22) Filed: **Aug. 13, 2020**

(30) **Foreign Application Priority Data**

Feb. 14, 2020 (EM) ..... 007695283-0004

(51) **LOC (14) Cl.** ..... **24-04**

(52) **U.S. Cl.**  
USPC ..... **D24/110**

(58) **Field of Classification Search**  
USPC ..... D24/108, 110, 110.4-110.6, 112, 129, D24/164

CPC ..... A61M 15/00; A61M 2202/064; A61M 15/0091; A61M 15/0026; A61M 11/00; A61M 15/0025; A61M 15/0065; A61M 15/0068; A61M 15/007; A61M 15/0071; A61M 15/0073; A61M 15/0075; A61M 15/0076; A61M 15/008; A61M 15/009  
See application file for complete search history.

(56) **References Cited**

**U.S. PATENT DOCUMENTS**

D334,057 S \* 3/1993 Byram ..... D24/110  
D377,215 S \* 1/1997 Rand ..... D24/110

D416,998 S \* 11/1999 Hodson ..... D24/110  
D475,133 S \* 5/2003 McLuckie ..... D24/110  
D480,474 S \* 10/2003 Bowman ..... D24/110  
D509,898 S \* 9/2005 Bunce ..... D24/110  
D515,203 S \* 2/2006 Huxham ..... D24/110  
D529,605 S \* 10/2006 Huxham ..... D24/110  
D582,544 S \* 12/2008 Meziere ..... D24/110  
D657,448 S \* 4/2012 Herfort ..... D24/110  
D660,410 S \* 5/2012 Zuyderhoudt ..... D24/110  
D769,437 S \* 10/2016 Walsh ..... D24/110  
D782,649 S \* 3/2017 Cottam ..... D24/110  
D783,150 S \* 4/2017 Cottam ..... D24/110  
D783,151 S \* 4/2017 Cottam ..... D24/110  
D834,704 S \* 11/2018 Atkin ..... D24/110

(Continued)

**OTHER PUBLICATIONS**

[Breath Actuated Inhaler], aptar.com, Posted: 2022 [online], site visited: [May 26, 2022], URL: <https://www.aptar.com/products/pharmaceutical/breath-activated-inhaler/>. (Year: 2022).\*

*Primary Examiner* — Jonathan J Han

*Assistant Examiner* — Amanda J Berlinski

(74) *Attorney, Agent, or Firm* — Sughrue Mion, PLLC

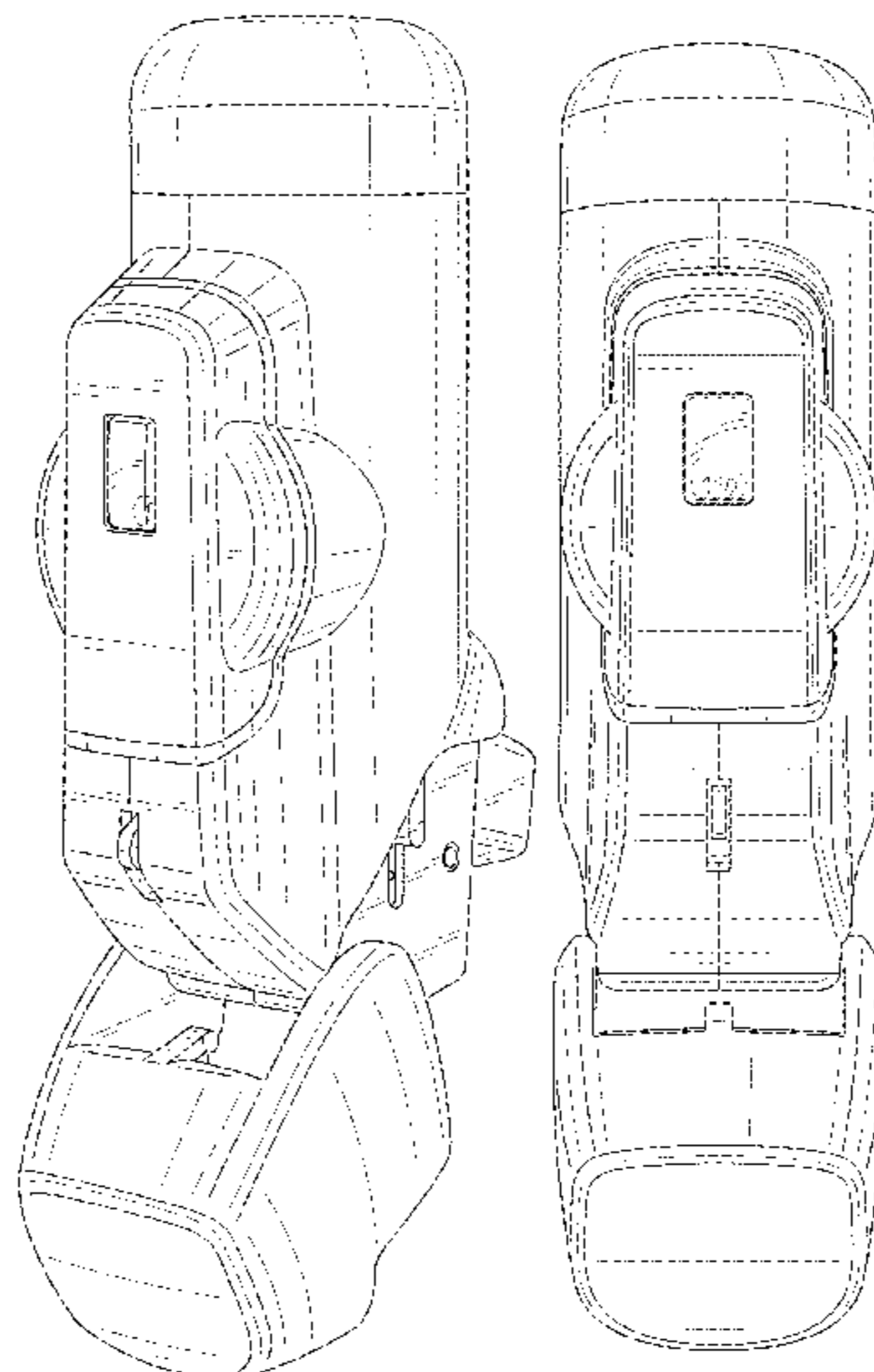
(57) **CLAIM**

The ornamental design for an inhaler, as shown and described.

**DESCRIPTION**

FIG. 1 is a front perspective view of an inhaler.  
FIG. 2 is a rear view of the inhaler of FIG. 1.  
FIG. 3 is a front view of the inhaler of FIG. 1.  
FIG. 4 is a right side view of the inhaler of FIG. 1.  
FIG. 5 is a left side view of the inhaler of FIG. 1.  
FIG. 6 is a top view of the inhaler of FIG. 1; and,  
FIG. 7 is a bottom view of the inhaler of FIG. 1.  
The broken lines shown in the figures depict portions of the inhaler that form no part of the claimed design.

**1 Claim, 7 Drawing Sheets**



(56)

**References Cited**

U.S. PATENT DOCUMENTS

|              |      |         |                   |       |                            |
|--------------|------|---------|-------------------|-------|----------------------------|
| D863,534     | S *  | 10/2019 | Jackson           | ..... | D24/110                    |
| D871,567     | S *  | 12/2019 | Pieters           | ..... | D24/110                    |
| D872,853     | S *  | 1/2020  | Stuart            | ..... | D24/110                    |
| D877,322     | S *  | 3/2020  | Jackson           | ..... | D24/110                    |
| D948,704     | S *  | 4/2022  | Dalvi             | ..... | D24/110                    |
| 2001/0032644 | A1 * | 10/2001 | Hodson            | ..... | A61M 15/0068<br>128/200.23 |
| 2002/0189611 | A1 * | 12/2002 | Greenwood         | ..... | A61M 15/0025<br>128/200.14 |
| 2003/0183225 | A1 * | 10/2003 | Knudsen           | ..... | A61M 15/008<br>128/200.23  |
| 2007/0284383 | A1 * | 12/2007 | Wright            | ..... | A61M 15/0076<br>221/7      |
| 2008/0017188 | A1 * | 1/2008  | Pardonge          | ..... | A61M 35/003<br>128/200.14  |
| 2008/0092881 | A1 * | 4/2008  | Pearson           | ..... | A61M 15/009<br>222/394     |
| 2008/0105253 | A1 * | 5/2008  | Pearson           | ..... | A61M 15/009<br>128/200.14  |
| 2018/0140788 | A1 * | 5/2018  | Calderon Oliveras | ..... | A61M 15/0025               |
| 2018/0228988 | A1 * | 8/2018  | Buck              | ..... | A61M 15/0066               |
| 2022/0096761 | A1 * | 3/2022  | Fabien            | ..... | A61M 15/008                |
| 2022/0126037 | A1 * | 4/2022  | Fabien            | ..... | A61M 15/0026               |
| 2022/0160975 | A1 * | 5/2022  | Fabien            | ..... | A61M 15/008                |

\* cited by examiner

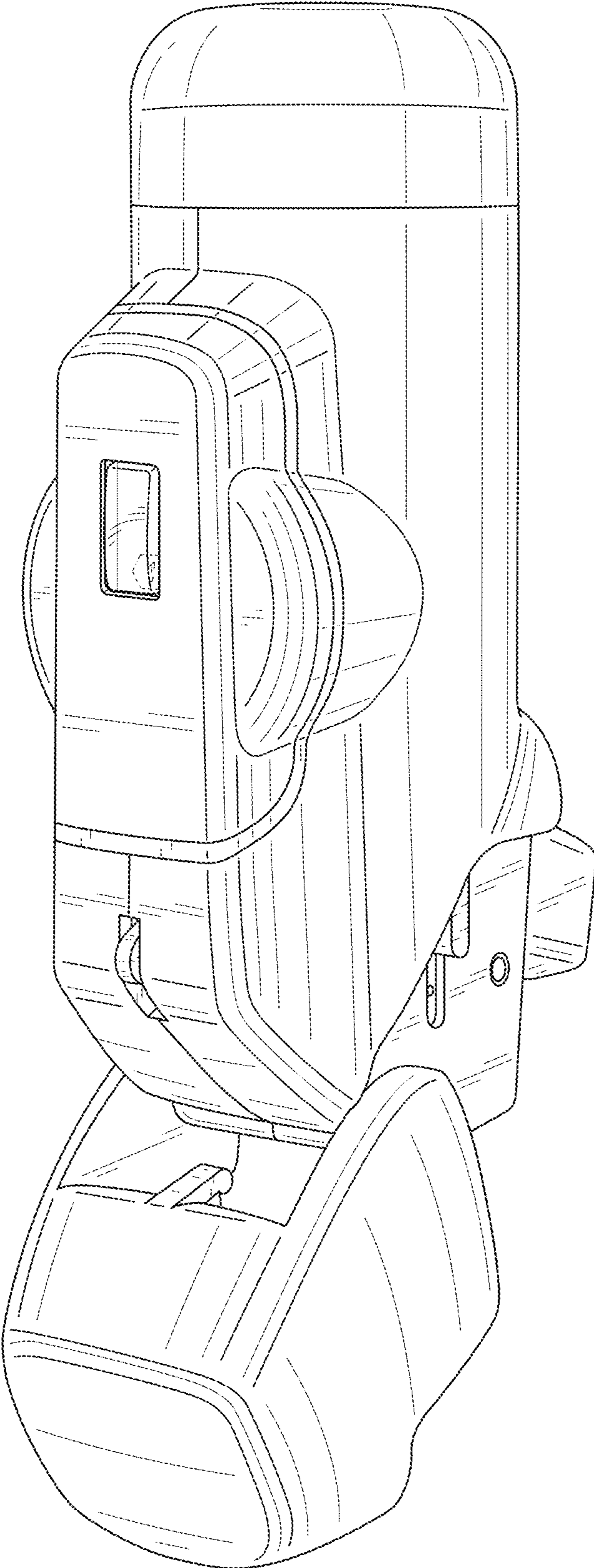


Fig. 1

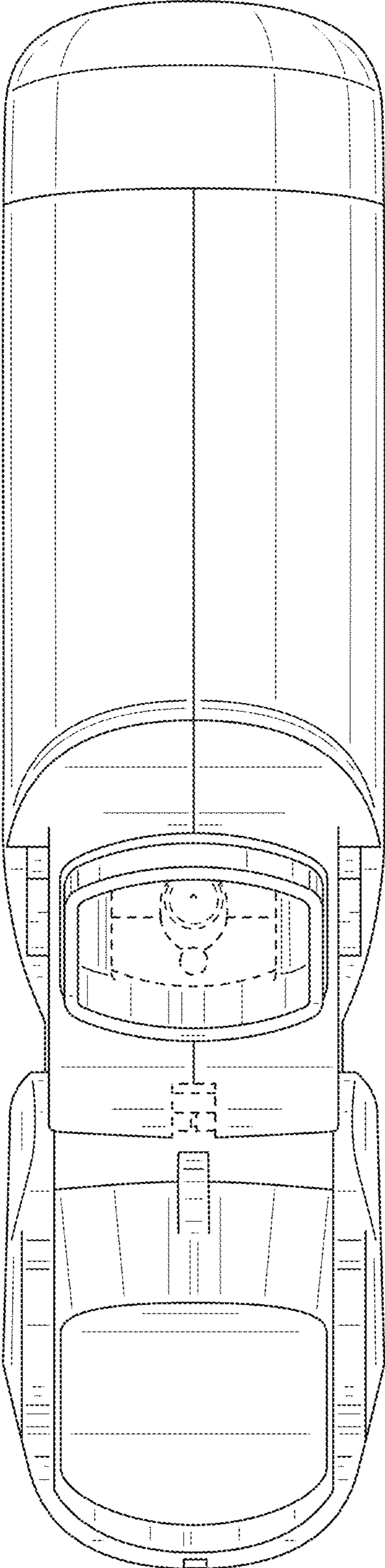


Fig. 2



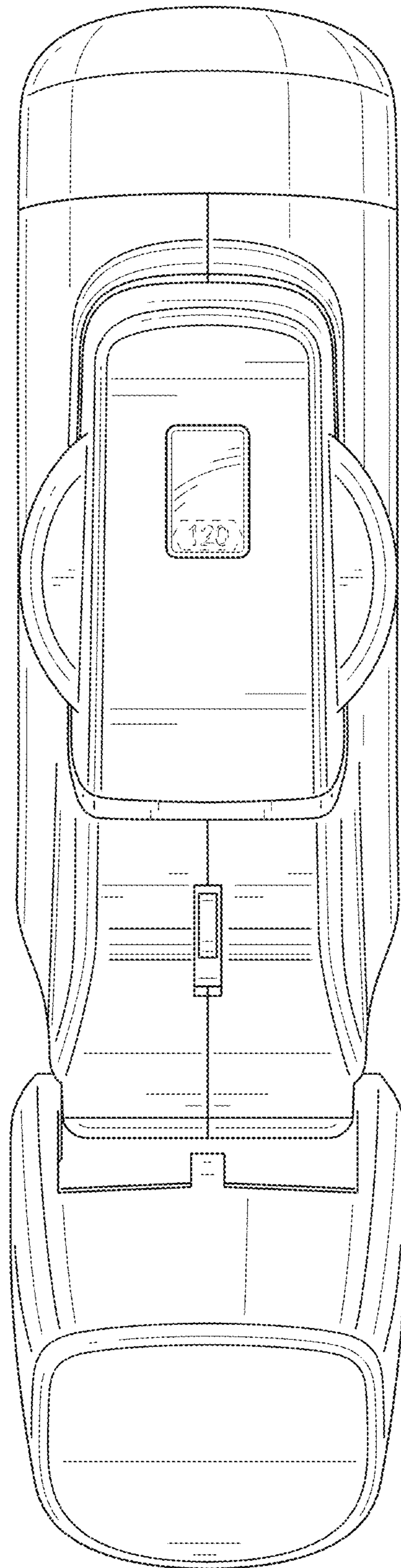


Fig. 3

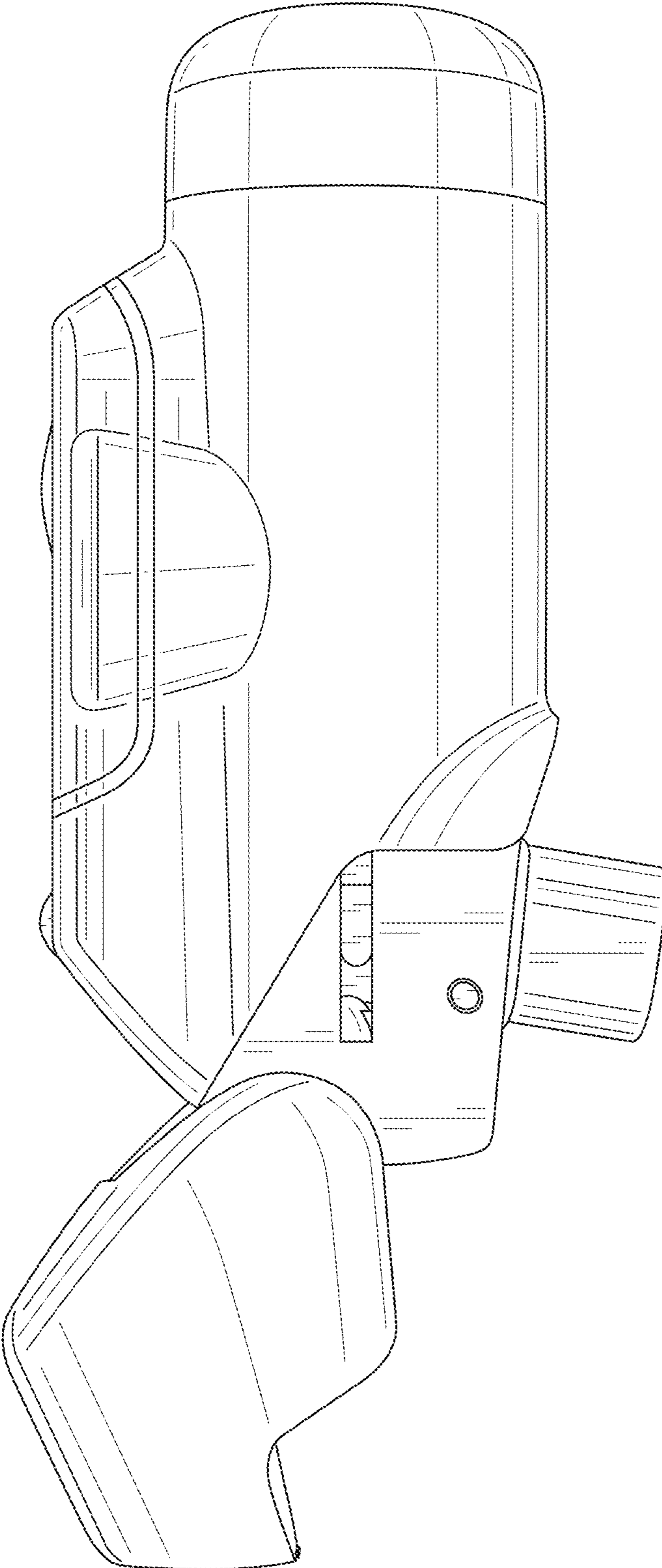


Fig. 4

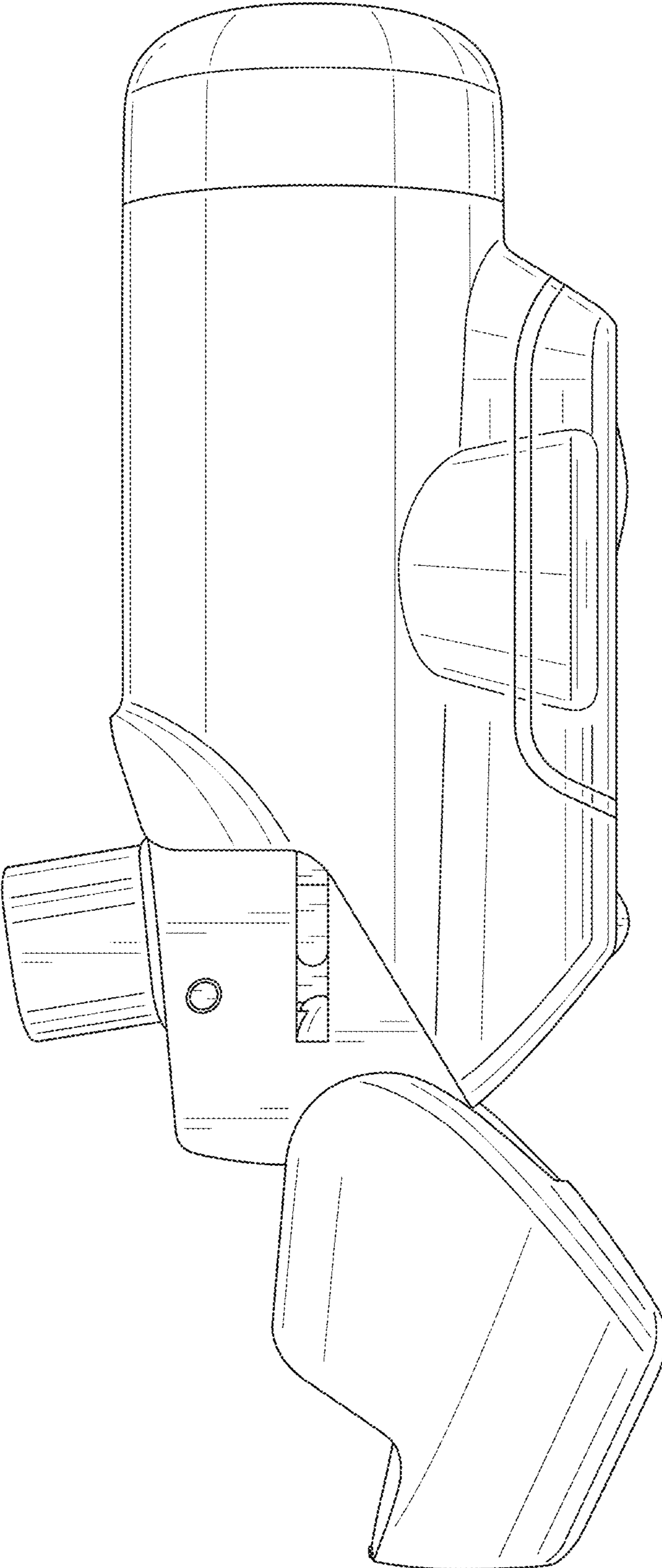


Fig. 5

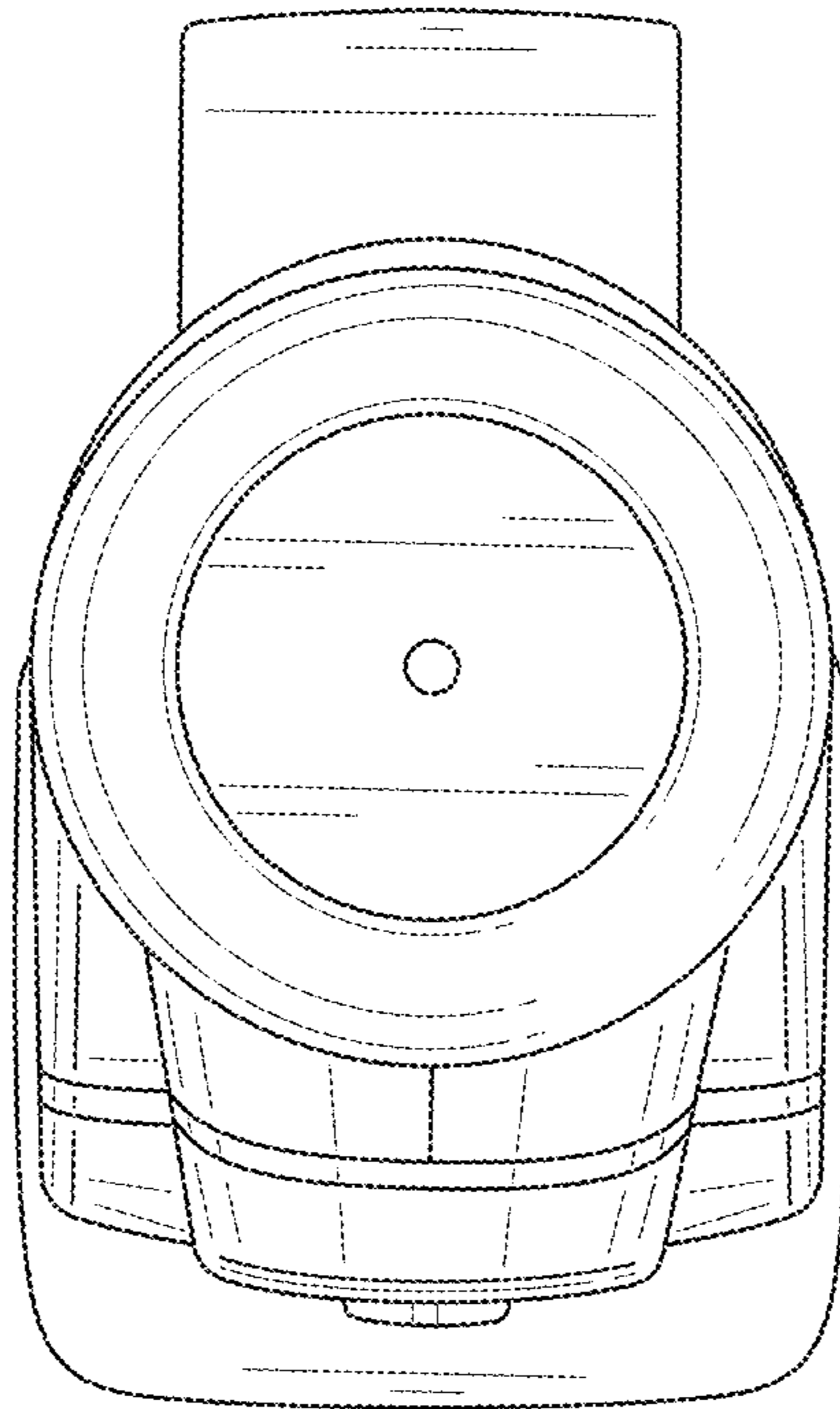


Fig. 6



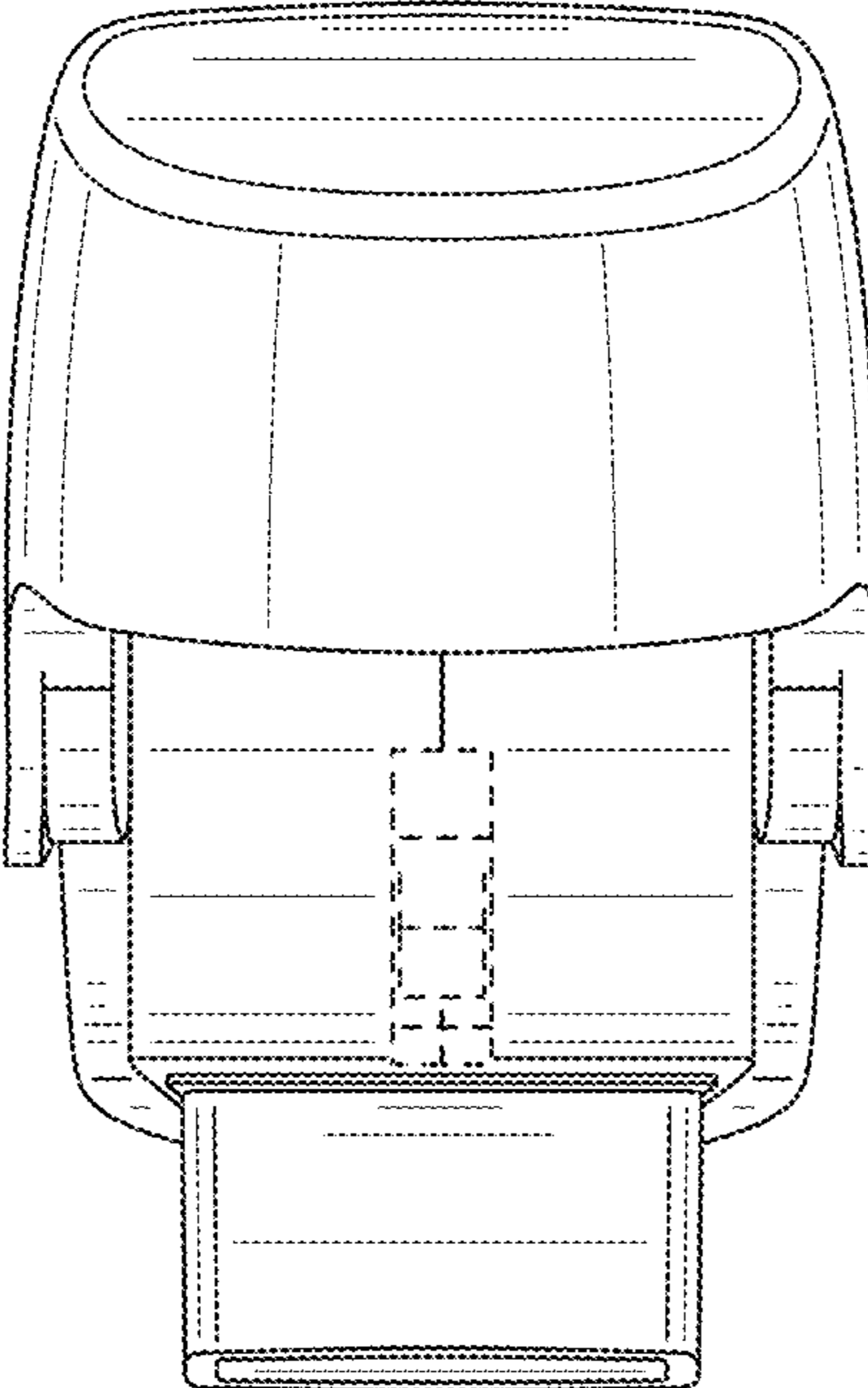


Fig. 7