



US00D983960S

(12) **United States Design Patent**  
**Jianyin**

(10) **Patent No.:** **US D983,960 S**

(45) **Date of Patent:** **\*\* Apr. 18, 2023**

(54) **ATOMIZER**

(71) Applicant: **Youqu Life Electric (Shenzhen) Co., Ltd, Shenzhen (CN)**

(72) Inventor: **Huang Jianyin, Shenzhen (CN)**

(\*\*) Term: **15 Years**

(21) Appl. No.: **29/739,310**

(22) Filed: **Jun. 24, 2020**

(51) **LOC (14) Cl.** ..... **29-02**

(52) **U.S. Cl.**

USPC ..... **D24/110; D23/360**

(58) **Field of Classification Search**

USPC ..... D7/509, 510; D11/143, 152; D14/195, D14/204, 221, 228; D23/207, 208, 209, D23/213, 223, 333, 335, 336, 351, 352, D23/353, 355, 356, 359, 360, 362, D23/364-366; D24/108, 110, 112, 129; D26/26, 37, 40, 46, 49

CPC ..... F24F 6/00; F24F 6/06; F24F 1/00; F24F 1/02; F24F 1/022; A47G 7/06; A61M 11/02; A61M 11/041; A61L 9/00; A61L 9/03; A61L 9/12; A61L 9/122; A61L 2209/11; A61L 2209/14; A61L 2209/133; Y10S 261/17; Y10S 261/88; Y10S 261/89; B01D 46/10; B01D 46/0005; B01D 46/2411

See application file for complete search history.

(56) **References Cited**

**U.S. PATENT DOCUMENTS**

D886,278 S \* 6/2020 Lin ..... D24/110  
D900,304 S \* 10/2020 Xia ..... D24/110

D910,824 S \* 2/2021 Zhao ..... D23/360  
D928,934 S \* 8/2021 Lin ..... D24/110  
D928,935 S \* 8/2021 Li ..... D24/110  
D935,586 S \* 11/2021 Sun ..... D23/356

**OTHER PUBLICATIONS**

Mayluck Handheld Mesh Atomizer. "Mayluck Atomizer." www.pricepulse.app. Mon. Apr. 18, 2022. Shown in pp. 1-7, UPC #: 717877526372. URL: [https://www.pricepulse.app/mayluck-handheld-mesh-atomizer-nebulizer-portable\\_us\\_4617440](https://www.pricepulse.app/mayluck-handheld-mesh-atomizer-nebulizer-portable_us_4617440) (Year: 2019).\*

Cordless Personal Steam Inhaler. "Tangxia Nebulizer." www.amazon.com Mon. Apr. 18, 2022. Shown in pp. 1,4,5,7-12. Item Model No. LE. URL: <https://www.amazon.com/dp/B0811P7JYK/1> (Year: 2019).\*

\* cited by examiner

*Primary Examiner* — Gino Colan

*Assistant Examiner* — David OBrien

(74) *Attorney, Agent, or Firm* — Keith Swedo

(57) **CLAIM**

The ornamental design for an atomizer, as shown and described.

**DESCRIPTION**

FIG. 1 is a perspective view of the claimed design.

FIG. 2 is a front view of FIG. 1;

FIG. 3 is a rear view of FIG. 1;

FIG. 4 is a left view of FIG. 1;

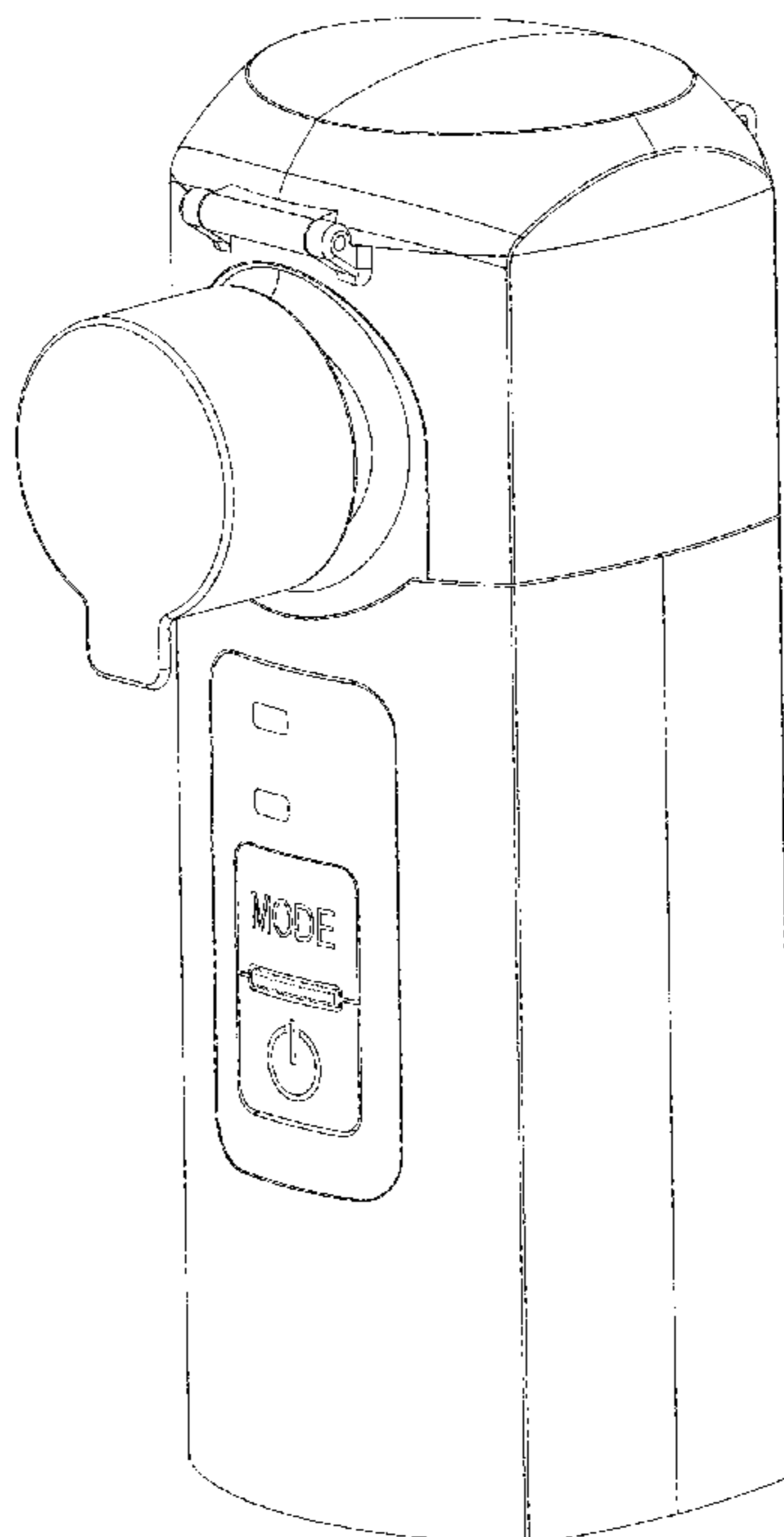
FIG. 5 is a right view of FIG. 1;

FIG. 6 is a top view of FIG. 1; and,

FIG. 7 is a bottom view FIG. 1.

The broken lines shown in the figures are for the purpose of illustrating portions of the atomizer and form no part of the claimed design.

**1 Claim, 7 Drawing Sheets**



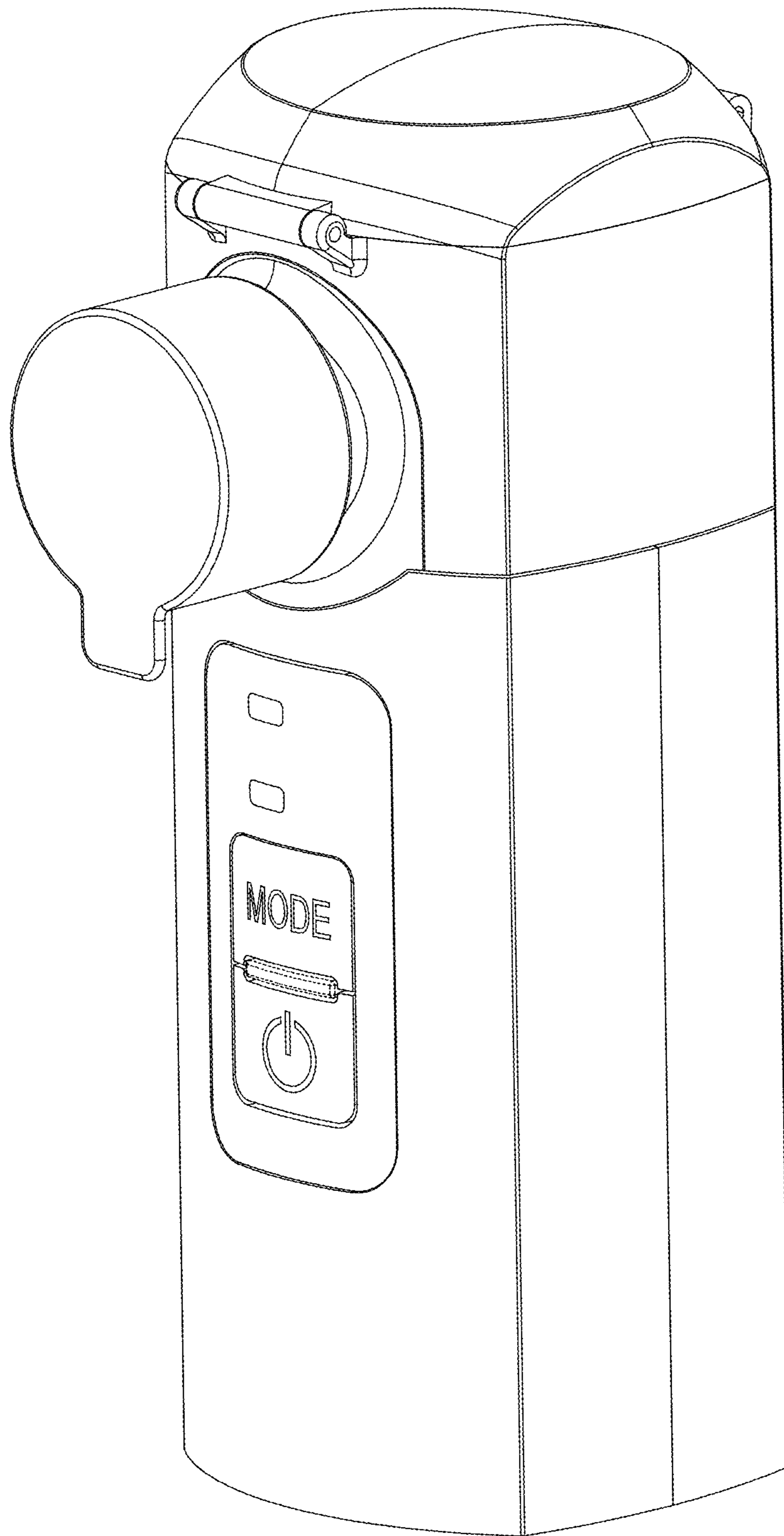


FIG. 1

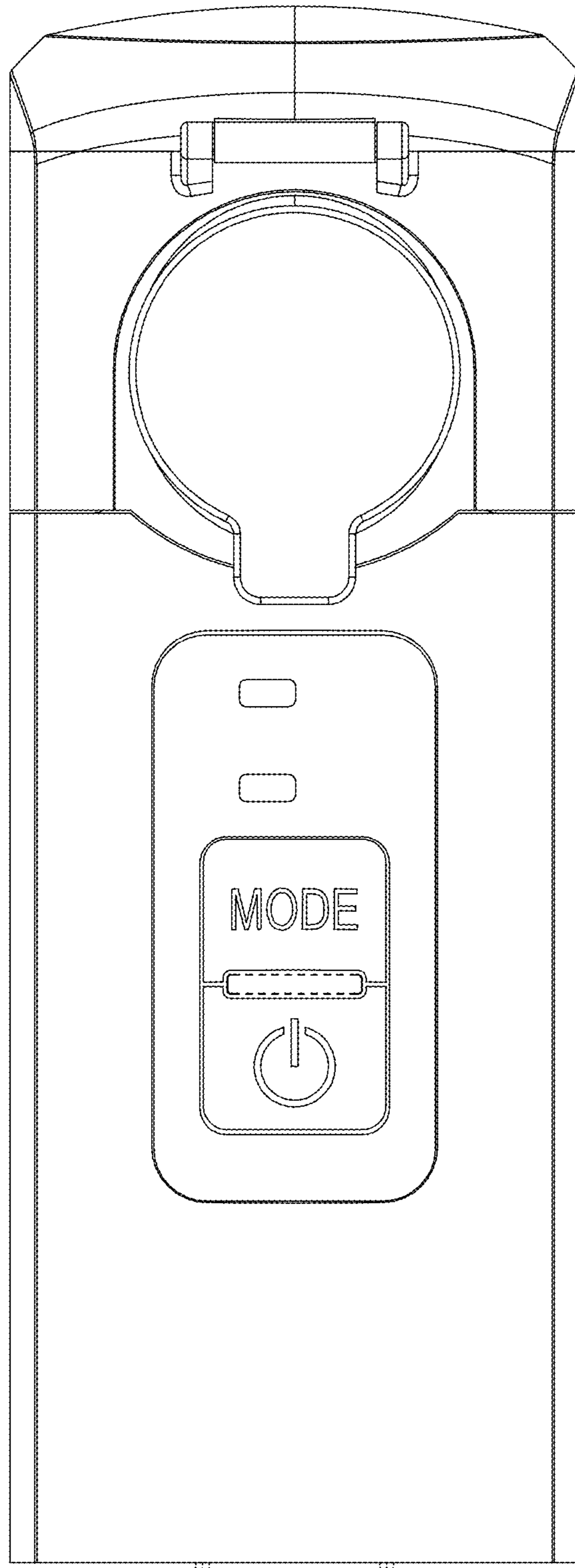


FIG. 2

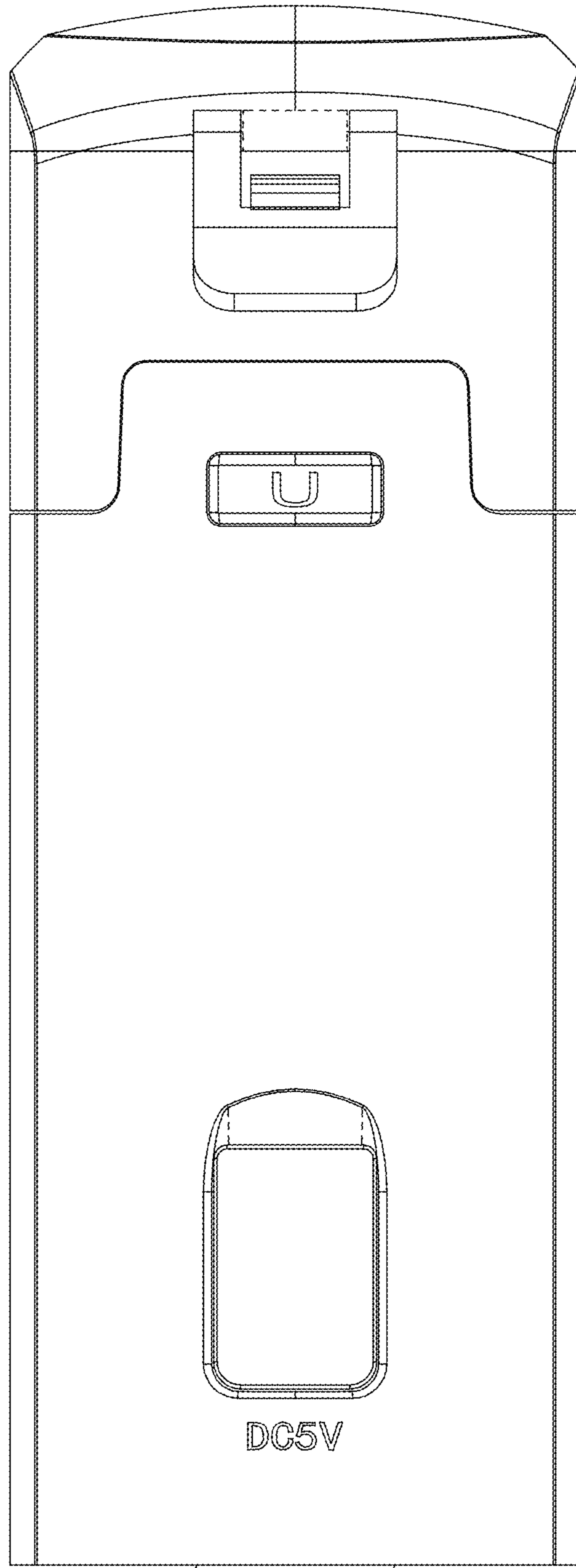


FIG. 3

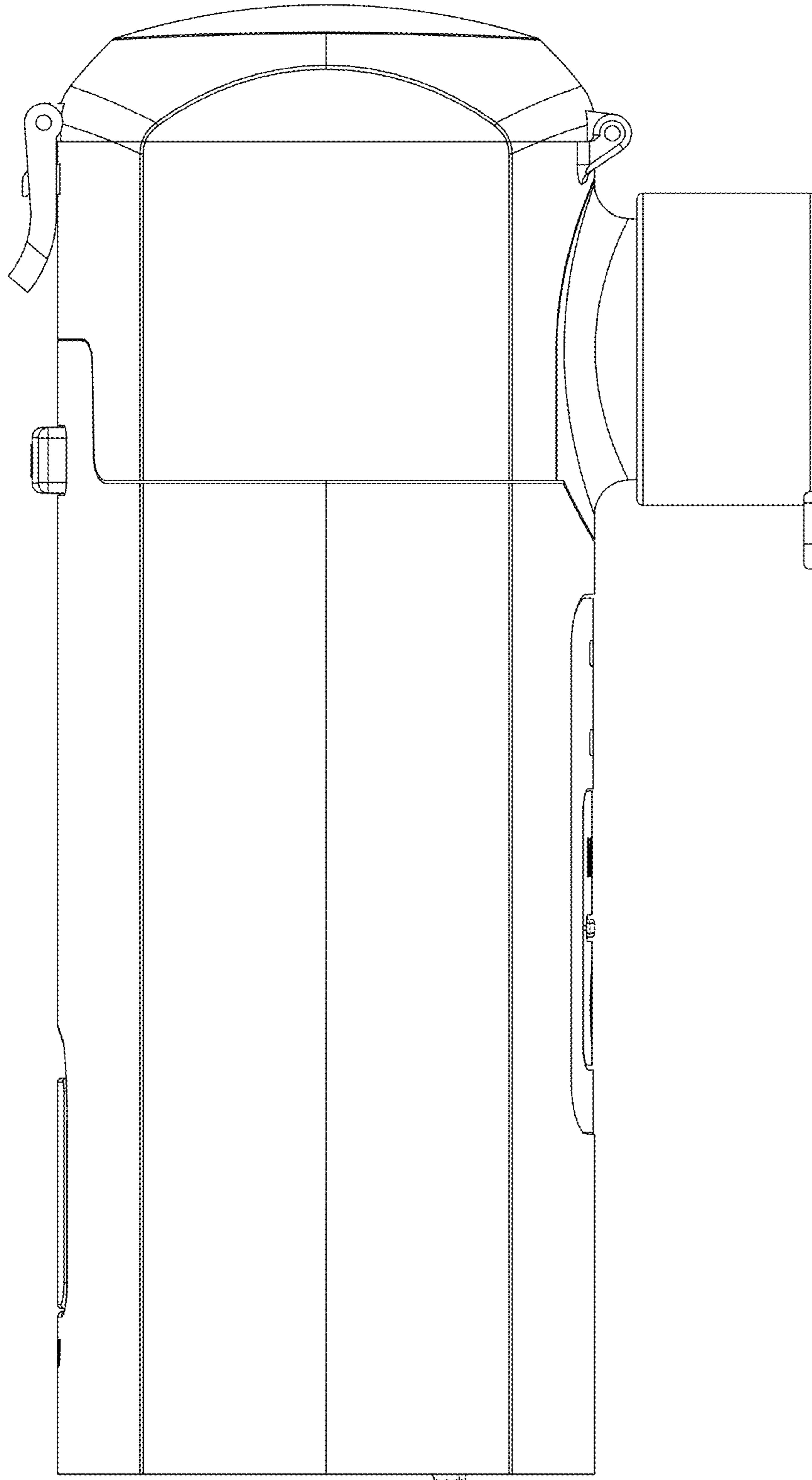


FIG. 4

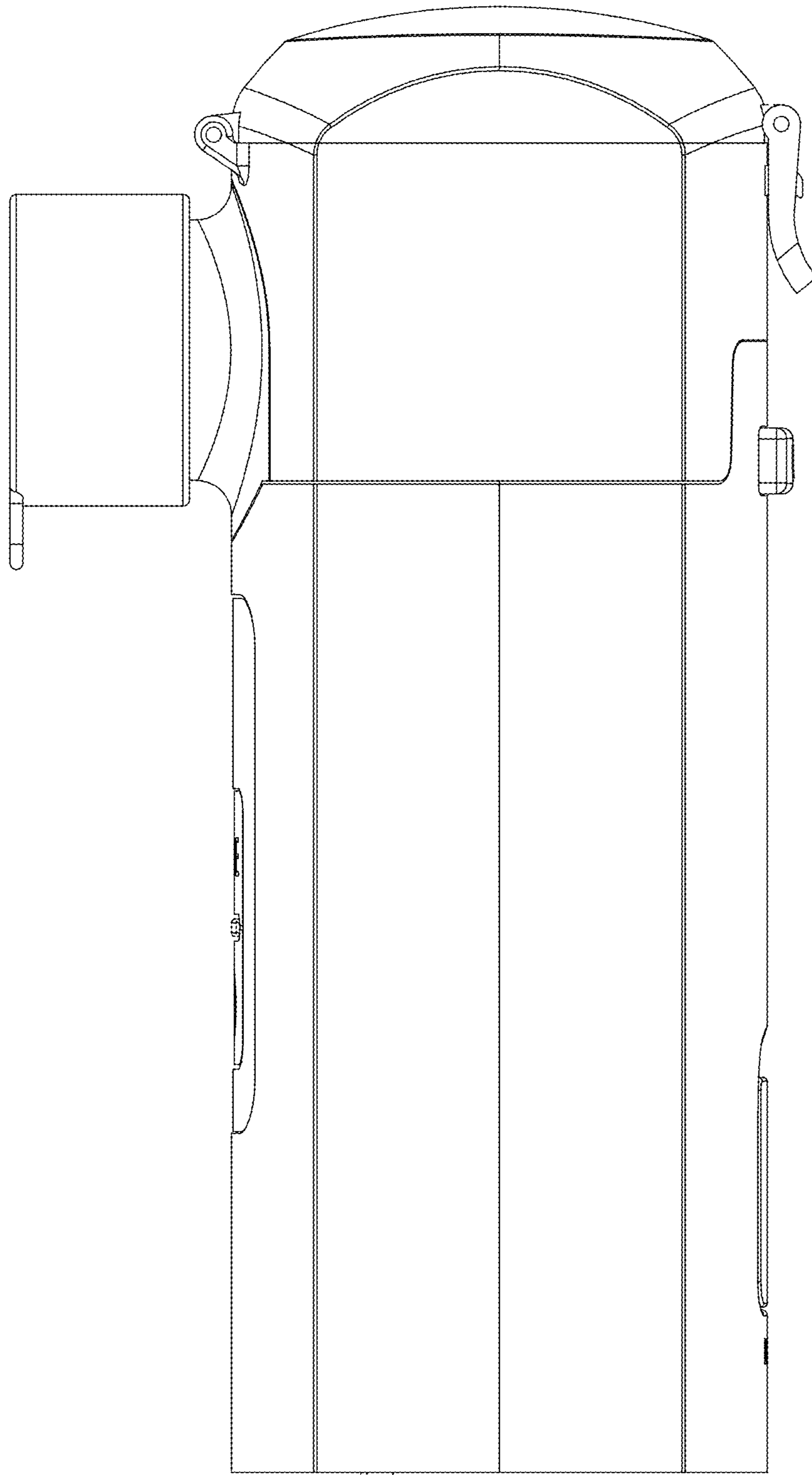


FIG. 5

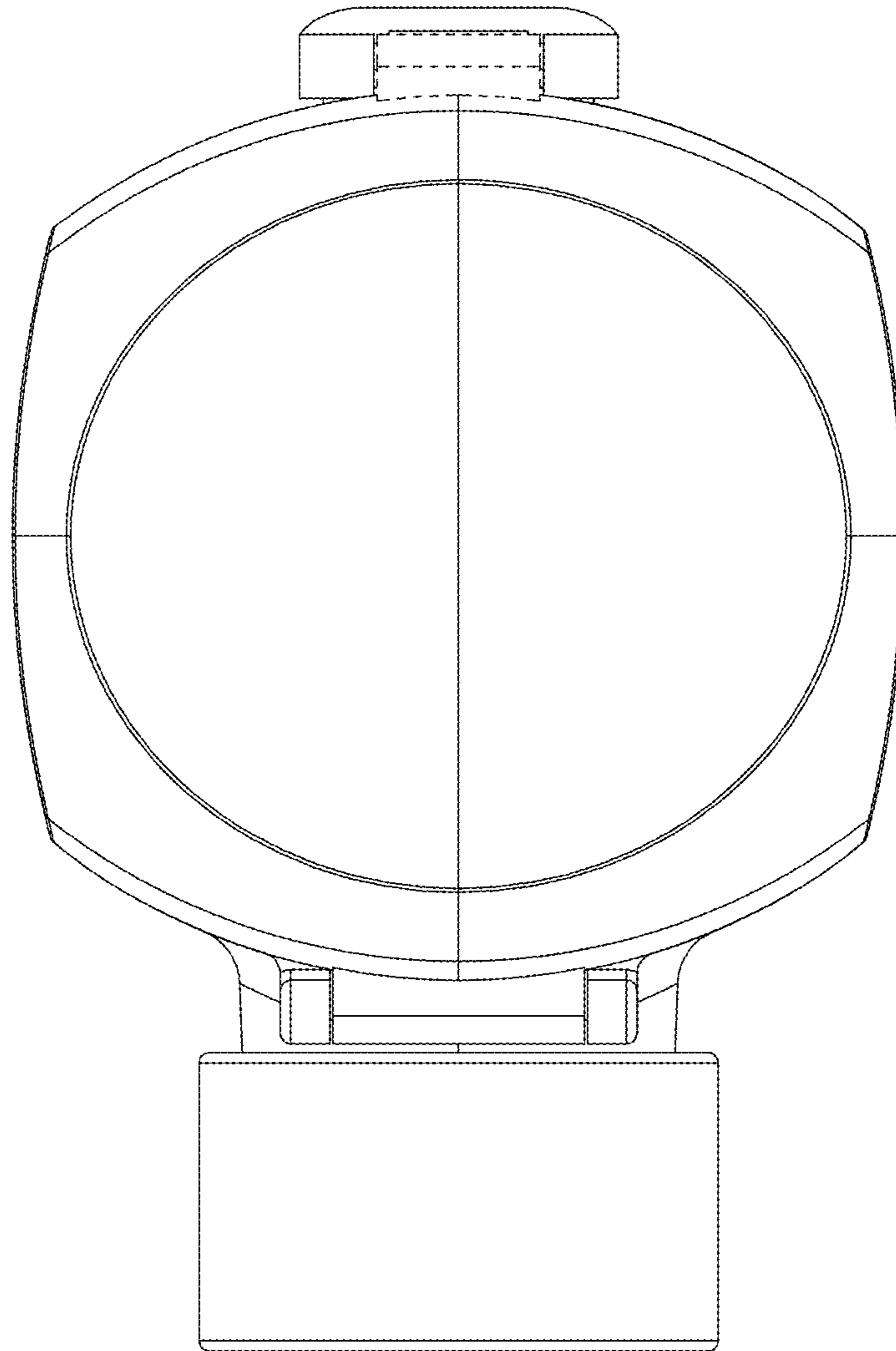


FIG. 6

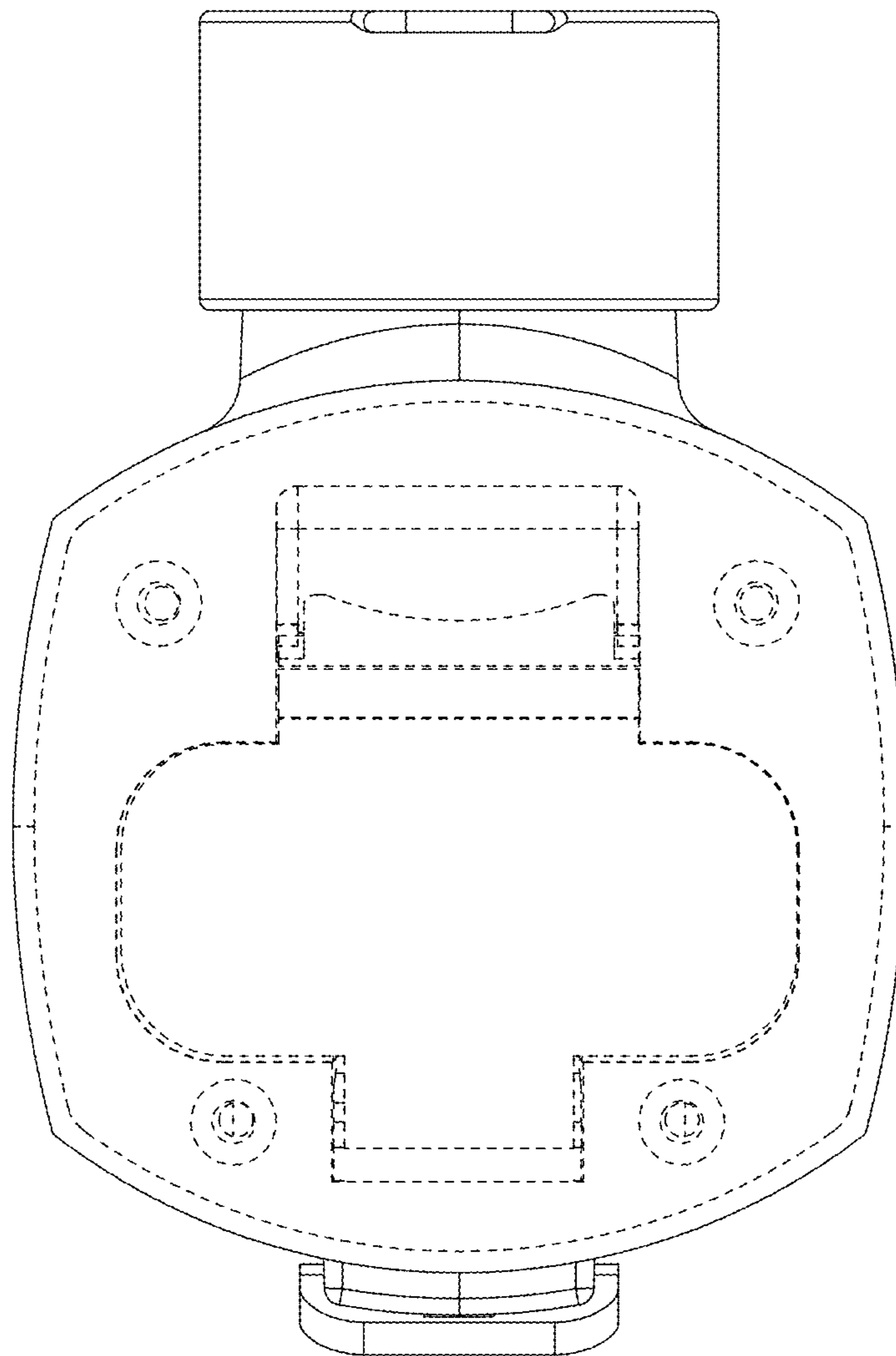


FIG. 7