



US00D983957S

(12) **United States Design Patent** (10) **Patent No.:** **US D983,957 S**  
**Lv** (45) **Date of Patent:** **\*\* Apr. 18, 2023**

(54) **FLUSH MOUNT CEILING FAN WITH LIGHT**

(71) Applicant: **Qingdao Haiyue Star E-Commerce Co., Ltd.**, Qingdao (CN)

(72) Inventor: **Guoyan Lv**, Zhaotong (CN)

(73) Assignee: **QINGDAO HAIYUE STAR E-COMMERCE CO., LTD.**, Qingdao (CN)

(\*\*) Term: **15 Years**

(21) Appl. No.: **29/863,877**

(22) Filed: **Dec. 23, 2022**

(51) **LOC (14) Cl.** ..... **23-04**

(52) **U.S. Cl.**  
USPC ..... **D23/377; D26/59**

(58) **Field of Classification Search**  
USPC ..... D23/370, 377, 379, 382, 385, 413–414;  
D26/59, 88  
CPC ..... F04D 25/088; F04D 29/38; F04D 29/384;  
F04D 29/386; F21V 33/0096  
See application file for complete search history.

(56) **References Cited**

**U.S. PATENT DOCUMENTS**

D315,404 S *	3/1991	Dufour	.....	D23/377
D349,778 S *	8/1994	Johnson	.....	D26/86
D394,107 S *	5/1998	Tsuji	.....	D23/385
6,004,365 A *	12/1999	Fiacco	.....	B01D 46/0056 55/471
D606,233 S *	12/2009	Benghozi	.....	D26/88
D639,415 S *	6/2011	Dag	.....	D23/377
D777,312 S *	1/2017	Badarello	.....	D23/377
D804,645 S *	12/2017	Habig	.....	D23/377
D860,430 S *	9/2019	Orozco	.....	D26/59

D890,978 S *	7/2020	Birchler	.....	D26/88
D895,097 S *	9/2020	Wang	.....	D23/377
D907,756 S *	1/2021	Birchler	.....	D23/377
D936,812 S *	11/2021	Williams	.....	D23/377
D945,595 S *	3/2022	Biancuzzo	.....	D23/382
D952,121 S *	5/2022	He	.....	D23/382
D952,123 S *	5/2022	Searle	.....	D23/382
D957,614 S *	7/2022	Keepers	.....	D23/382
D962,527 S *	8/2022	Jiang	.....	D26/90
D967,390 S *	10/2022	Shang	.....	379/385
2019/0131751 A1 *	5/2019	McCurry	.....	H02K 5/225
2019/0345946 A1 *	11/2019	Register	.....	F04D 17/04

\* cited by examiner

*Primary Examiner* — Sharon S Oum

(57) **CLAIM**

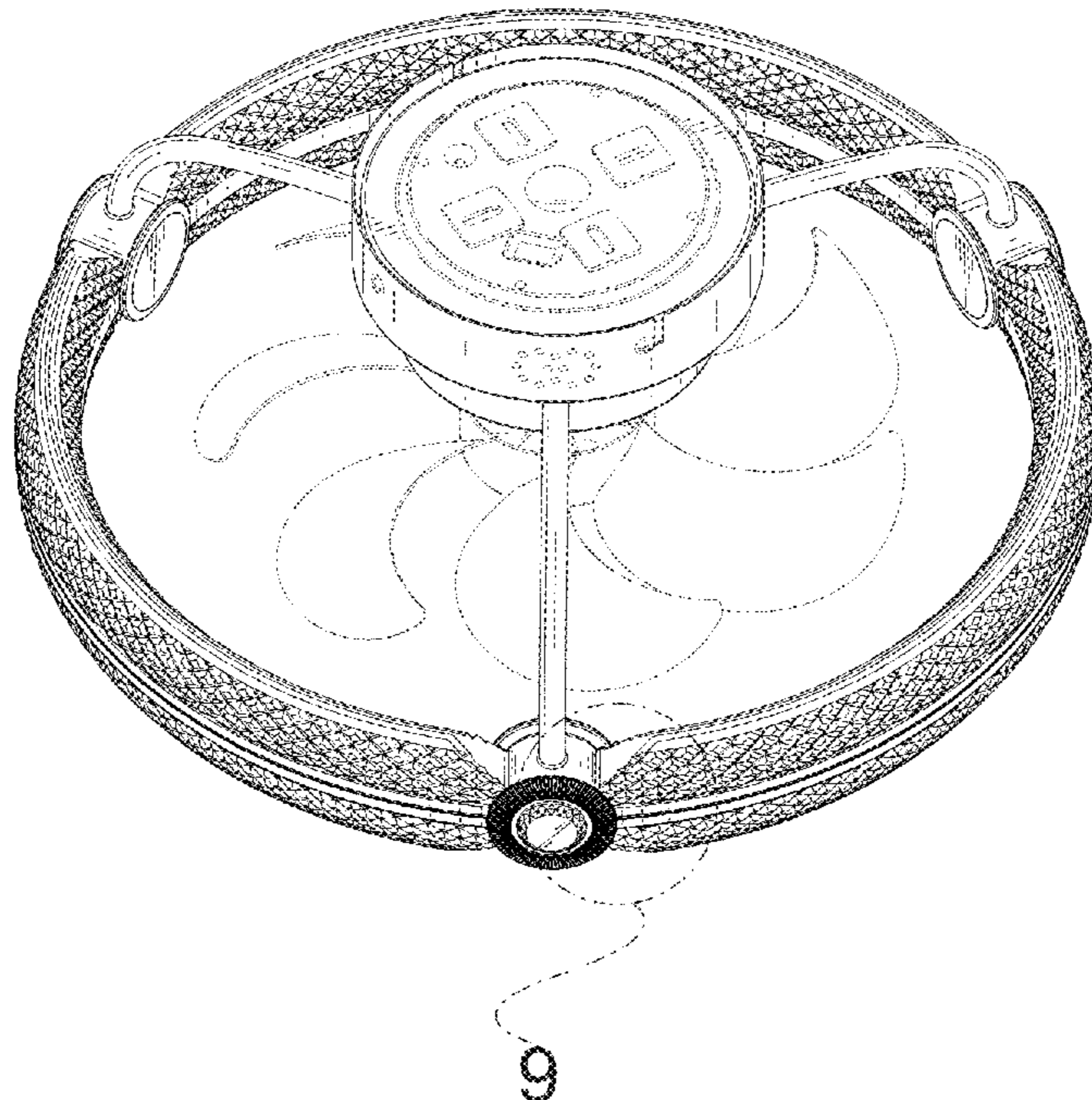
The ornamental design for a flush mount ceiling fan with light, as shown and described.

**DESCRIPTION**

FIG. 1 is a top perspective view of a flush mount ceiling fan with light, showing my new design;  
FIG. 2 is a bottom perspective view thereof;  
FIG. 3 is a front view thereof;  
FIG. 4 is a rear view thereof;  
FIG. 5 is a left side view thereof;  
FIG. 6 is a right side view thereof;  
FIG. 7 is a top view thereof;  
FIG. 8 is a bottom view thereof; and,  
FIG. 9 is a partial enlargement of FIG. 1.

The dash-dash broken lines in the drawings illustrate the portions of the flush mount ceiling fan with light, which form no part of the claimed design. The dot-dash broken lines encircling portions of the flush mount ceiling fan with light in FIGS. 1 and 9 form no part of the claimed design.

**1 Claim, 9 Drawing Sheets**



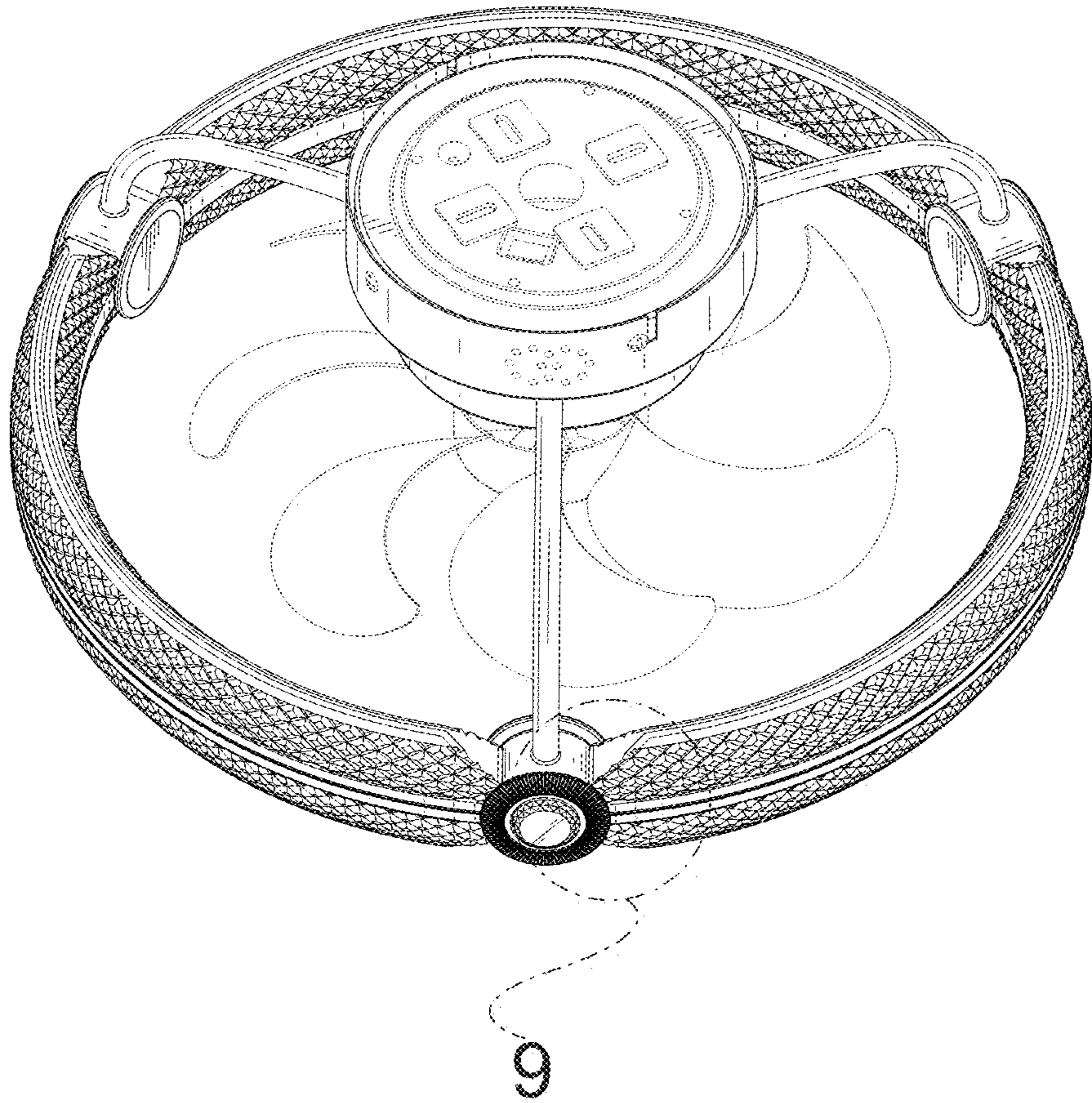


FIG. 1



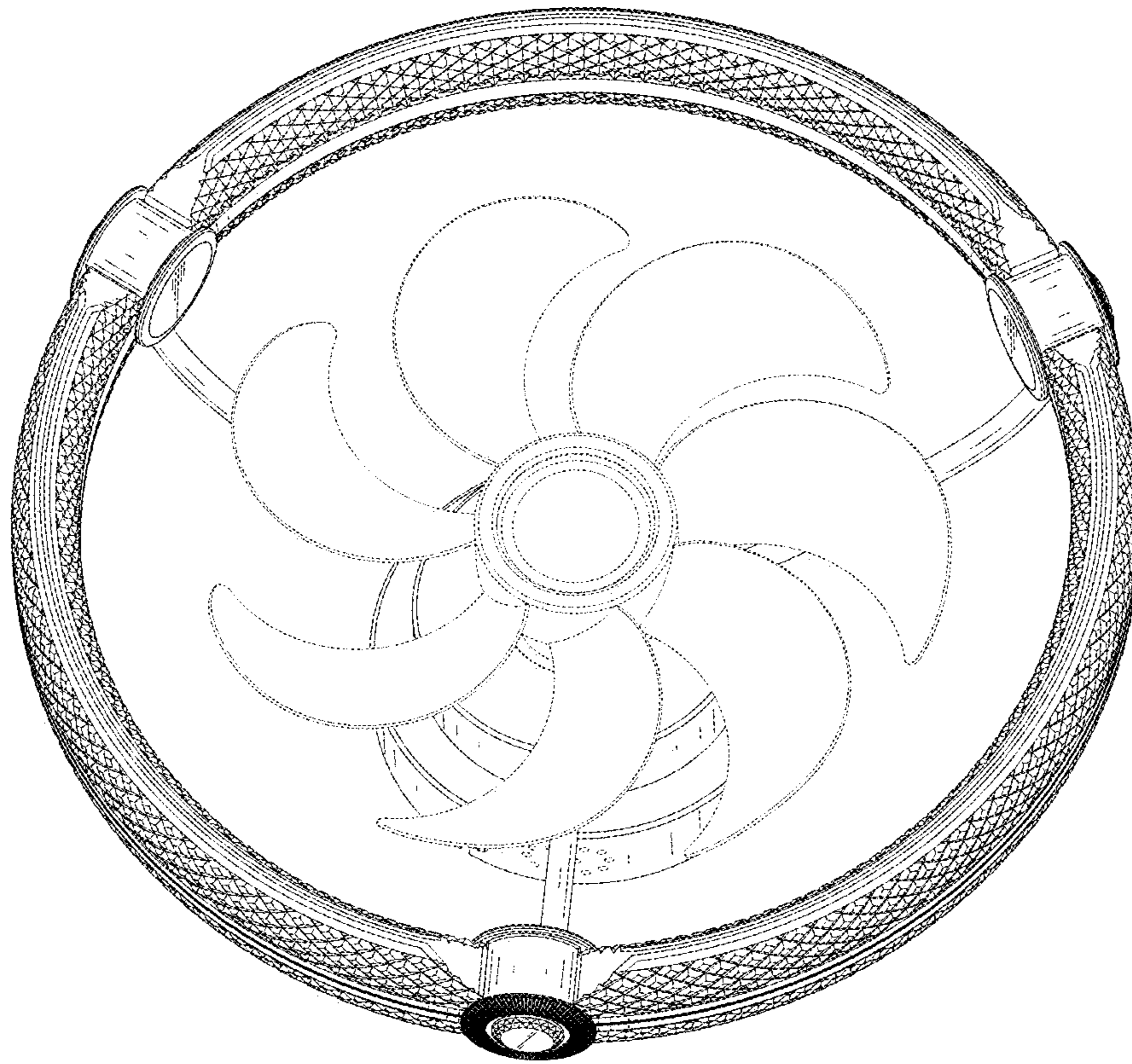


FIG. 2

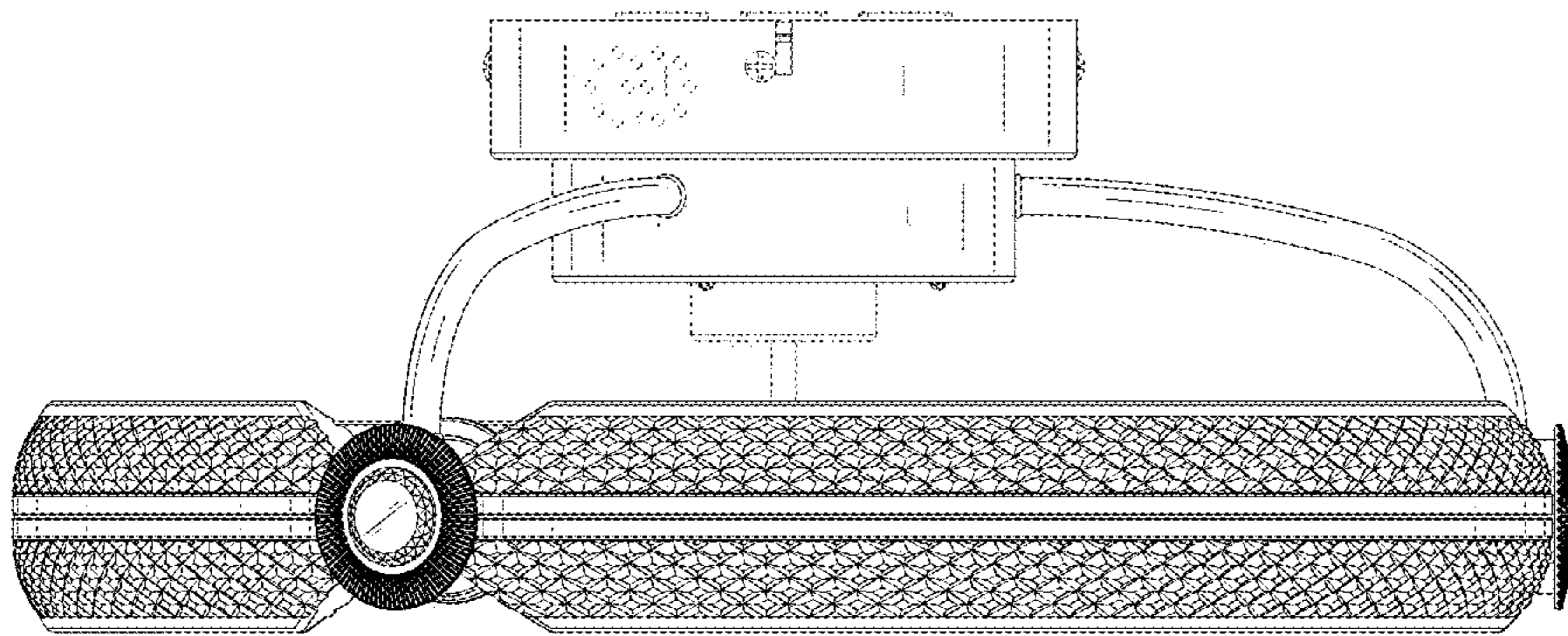


FIG. 3

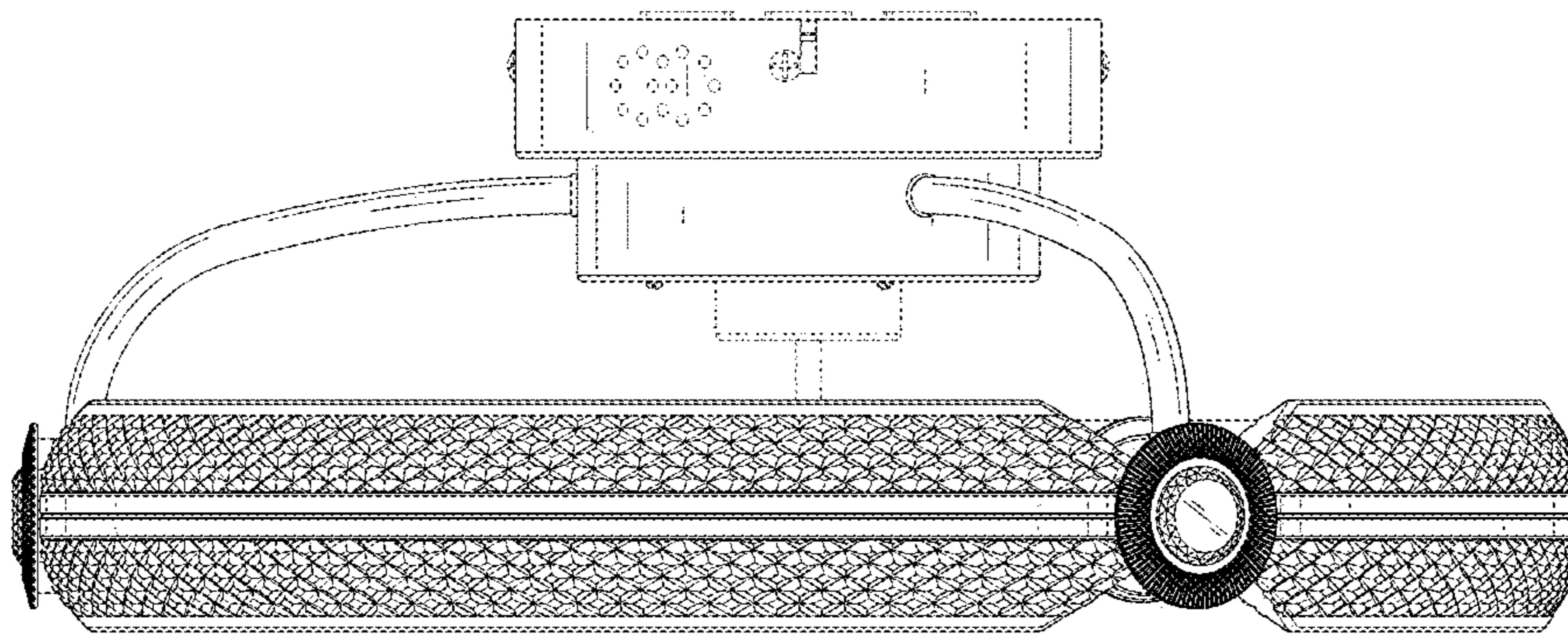


FIG. 4

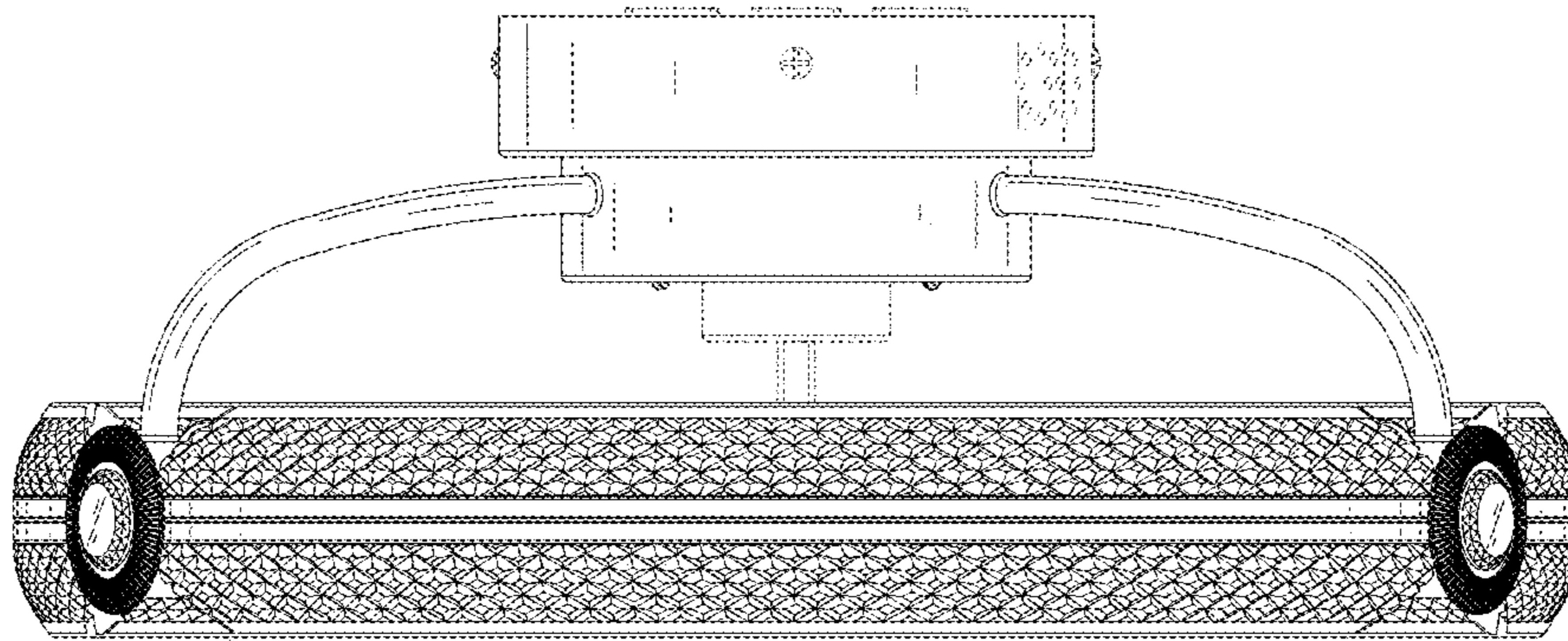


FIG. 5



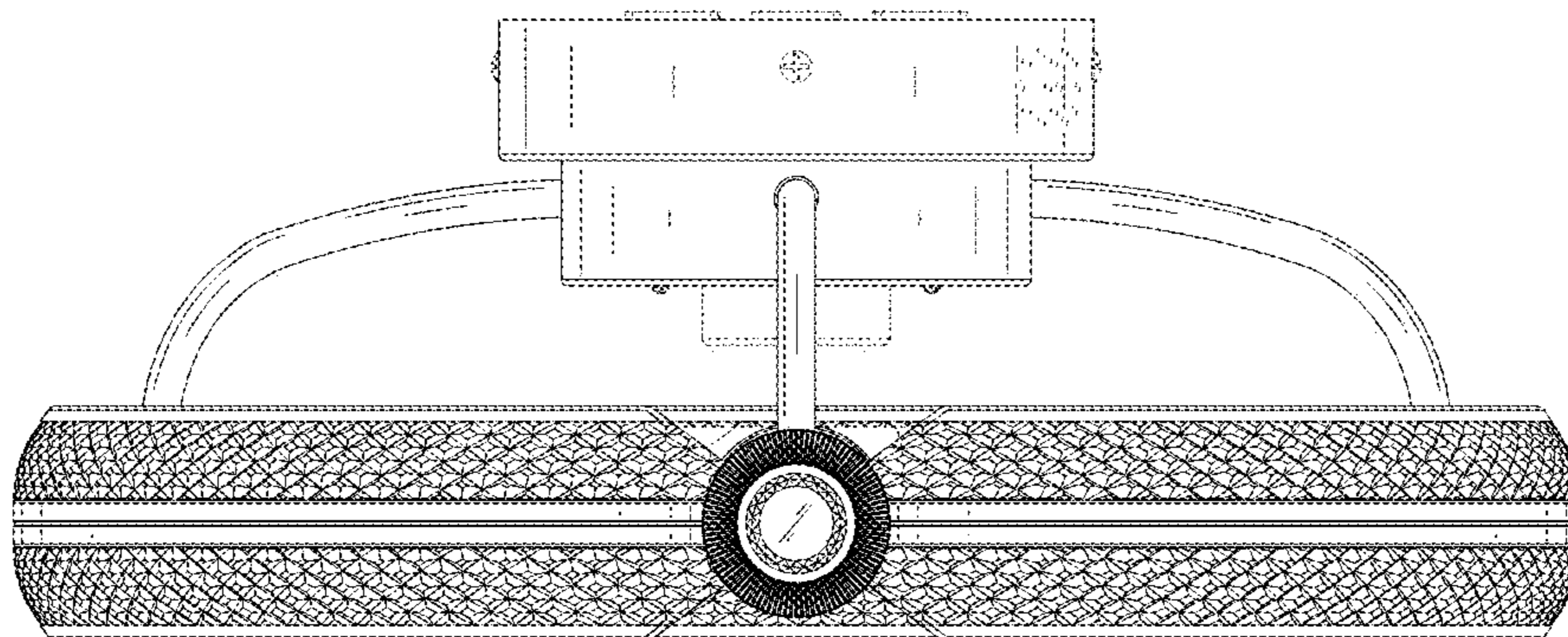


FIG. 6

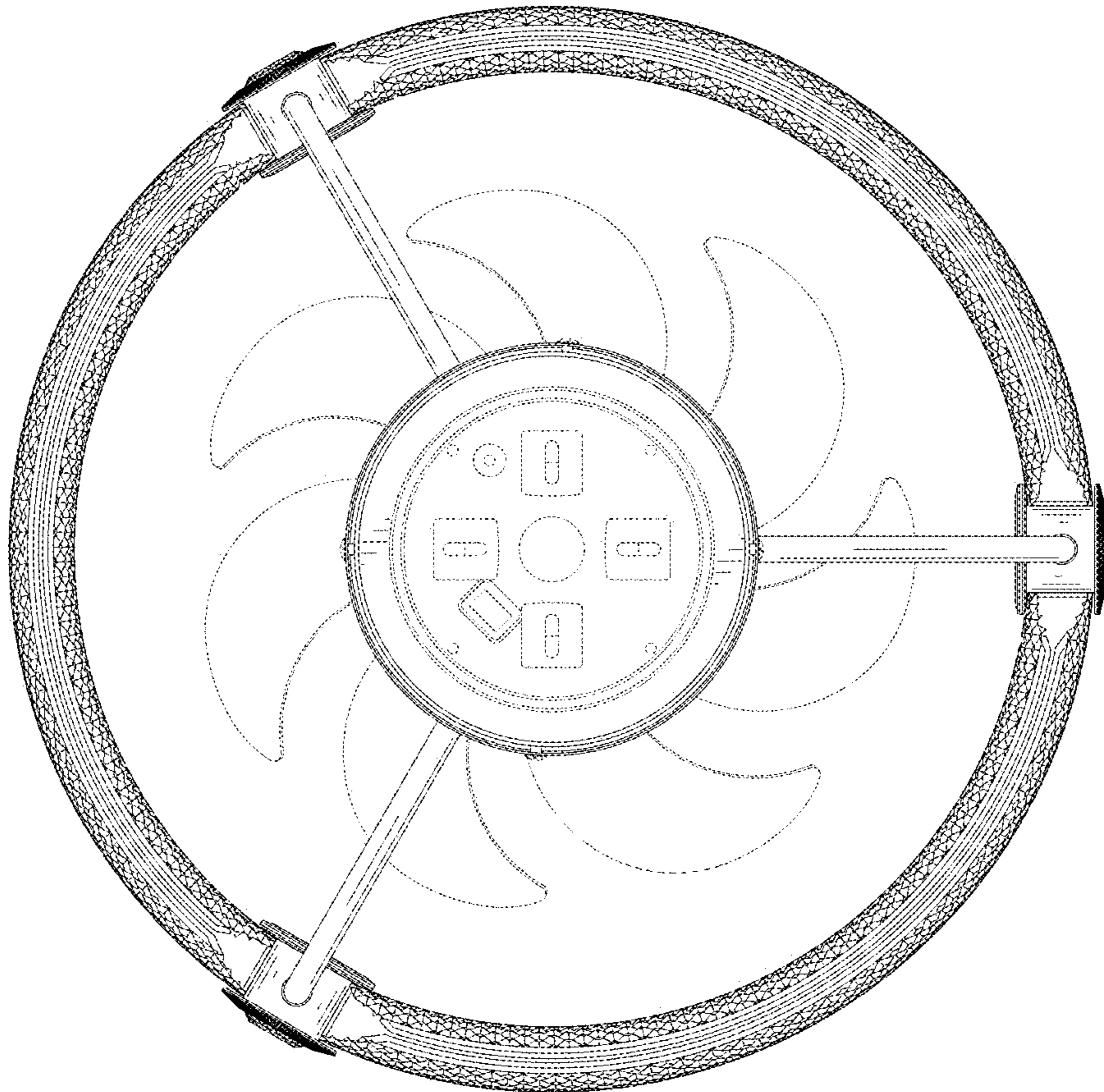


FIG. 7



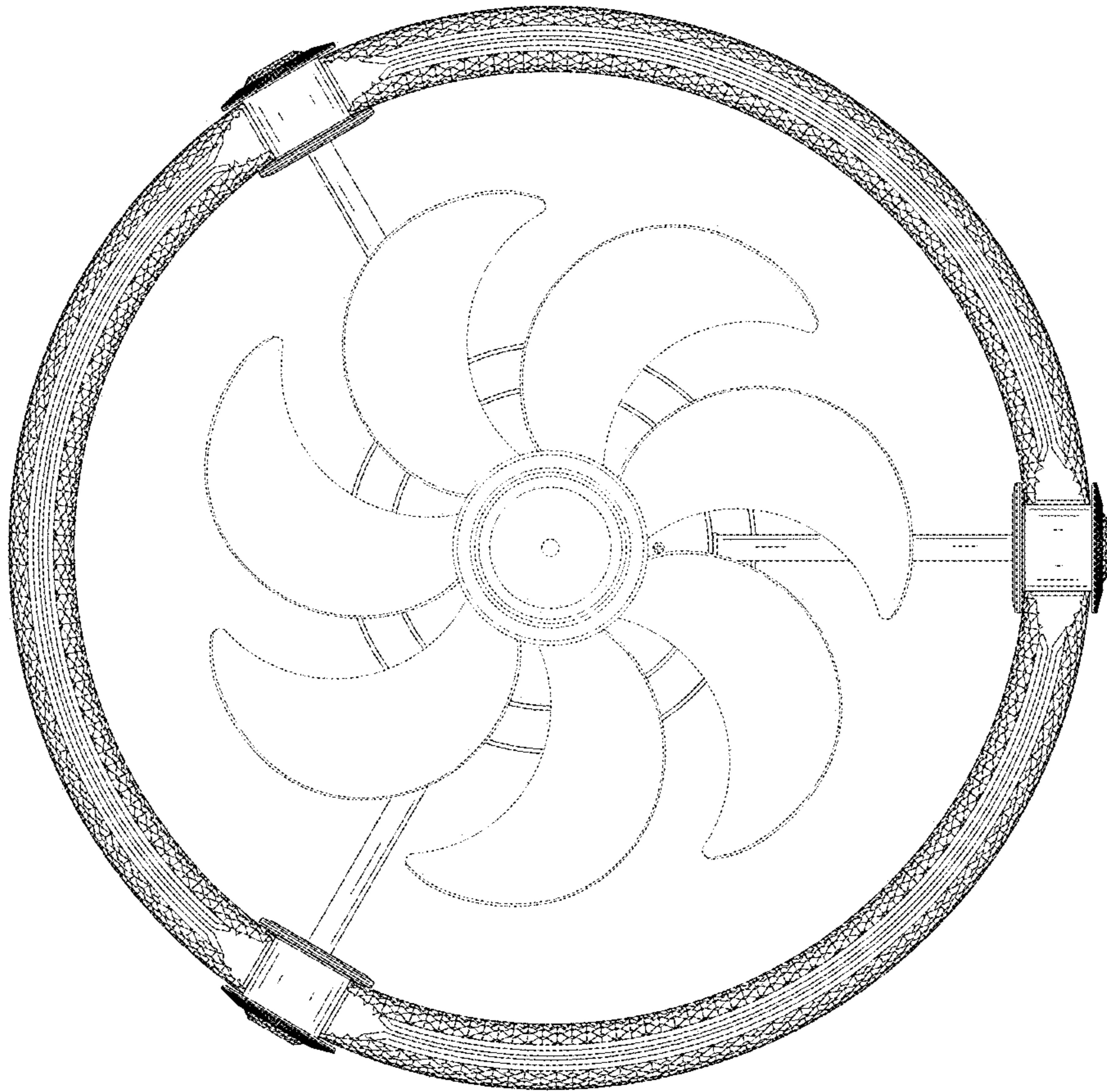


FIG. 8

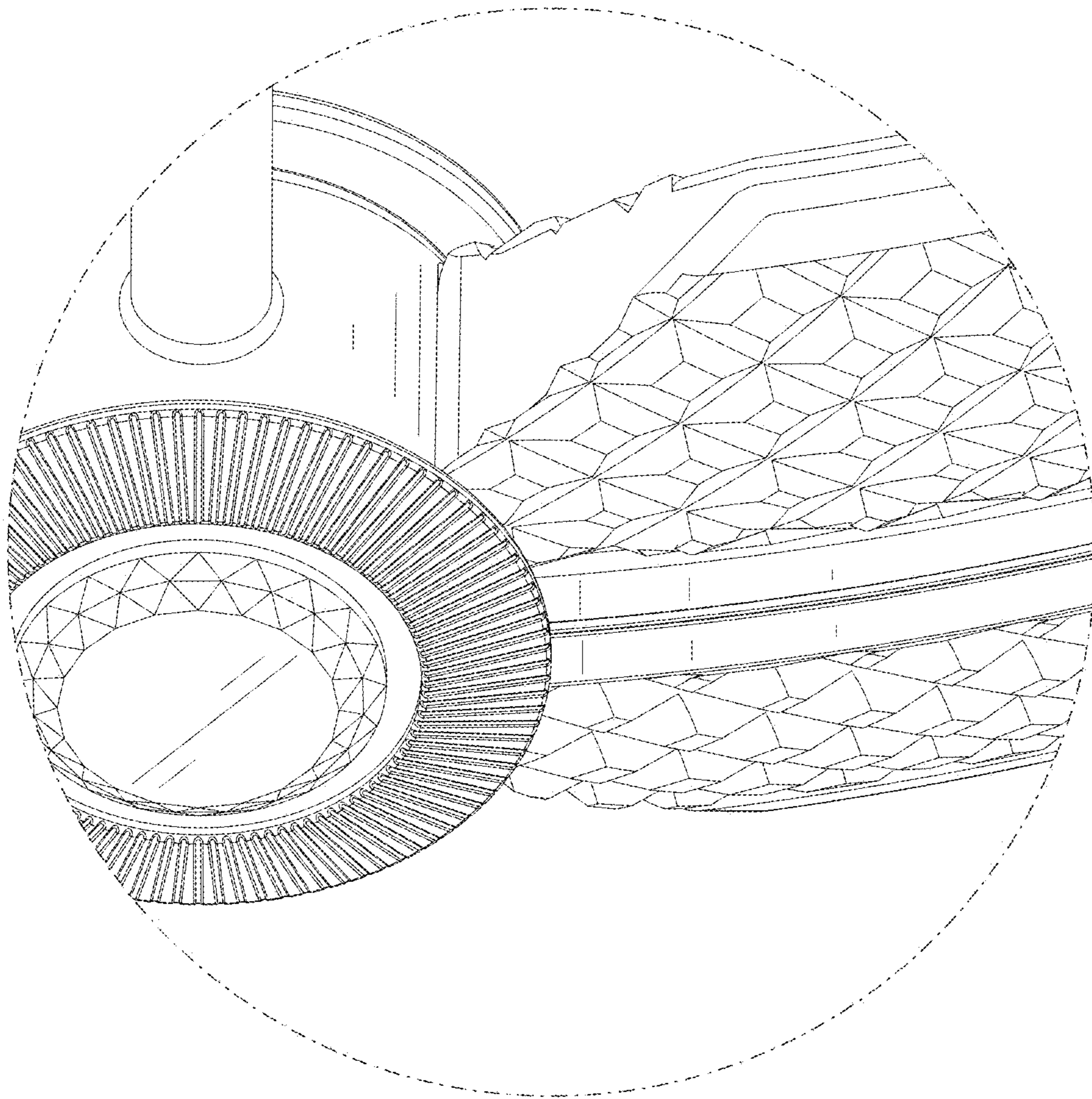


FIG. 9