



US00D983955S

(12) **United States Design Patent** (10) **Patent No.:** **US D983,955 S**  
**Cheng** (45) **Date of Patent:** **\*\* Apr. 18, 2023**

(54) **CEILING FAN WITH LIGHT**

(71) Applicant: **Foshan Ruideng Lighting Co., LTD,**  
Guangdong (CN)

(72) Inventor: **Huaishi Cheng,** Anhui (CN)

(\*\*) Term: **15 Years**

(21) Appl. No.: **29/835,037**

(22) Filed: **Apr. 15, 2022**

(30) **Foreign Application Priority Data**

Mar. 16, 2022 (CN) ..... 202230135881.3

(51) **LOC (14) Cl.** ..... **23-04**

(52) **U.S. Cl.**  
USPC ..... **D23/377; D26/59**

(58) **Field of Classification Search**  
USPC ..... D23/370, 377, 379-382, 385; D26/59  
CPC ..... F04D 25/088; F04D 29/38; F04D 29/384;  
F04D 29/386; F21V 33/0096  
See application file for complete search history.

(56) **References Cited**

**U.S. PATENT DOCUMENTS**

D334,232 S *	3/1993	Searle	.....	D23/377
D396,530 S *	7/1998	Tai	.....	D23/385
D420,125 S *	2/2000	Johnson	.....	D23/377
D453,217 S *	1/2002	Young	.....	D23/377
D453,220 S *	1/2002	Young	.....	D23/413
D576,265 S	9/2008	Bucher et al.		
D671,203 S	11/2012	Wang		
D745,956 S *	12/2015	Ertze	.....	D23/385
D778,421 S	2/2017	Hidalgo		
D817,472 S *	5/2018	Schulzman	.....	D23/377
D833,593 S	11/2018	Hidalgo		
D833,597 S	11/2018	Hidalgo		
D834,174 S *	11/2018	Fuselier	.....	D23/413
D834,696 S	11/2018	Schulzman		
D834,734 S	11/2018	Guthrie		
D851,232 S	6/2019	Schulzman		

D854,210 S	7/2019	Holmes		
D858,735 S *	9/2019	Wang	.....	D23/377
D959,640 S *	8/2022	Gorali	.....	D23/413
2012/0087796 A1 *	4/2012	McMahon	.....	F04D 29/34 416/210 R

**OTHER PUBLICATIONS**

Wingbo 64 Inch DC Ceiling Fan with Lights and Remote Control . . . , date first available Aug. 12, 2021, site visited Sep. 7, 2022, <[https://www.amazon.com/WINGBO-Ceiling-Control-Reversible-Noiseless/dp/B09X56N6F9?source=ps-sl-shoppingads-lpcontext&ref\\_=fplfs&smid=A8ZGEU9IICUKG&th=1](https://www.amazon.com/WINGBO-Ceiling-Control-Reversible-Noiseless/dp/B09X56N6F9?source=ps-sl-shoppingads-lpcontext&ref_=fplfs&smid=A8ZGEU9IICUKG&th=1)>.\*  
Monte Carlo Aspen 56 in. Indoor/Outdoor Brushed Steel Ceiling Fan with Light Grey Weathered Oak Blades and Remote Control, date first question asked Jan. 21, 2021, site visited Sep. 7, 2022, <<https://www.homedepot.com/p/Monte-Carlo-Aspen-56-in-Indoor-Outdoor-Brushed-Steel-Ceiling-Fan-with-Light-Grey-Weathered-Oak-Blades-and-Remote-Control-5ASPR56BS/313589446>>.\*

\* cited by examiner

*Primary Examiner* — Sharon S Oum

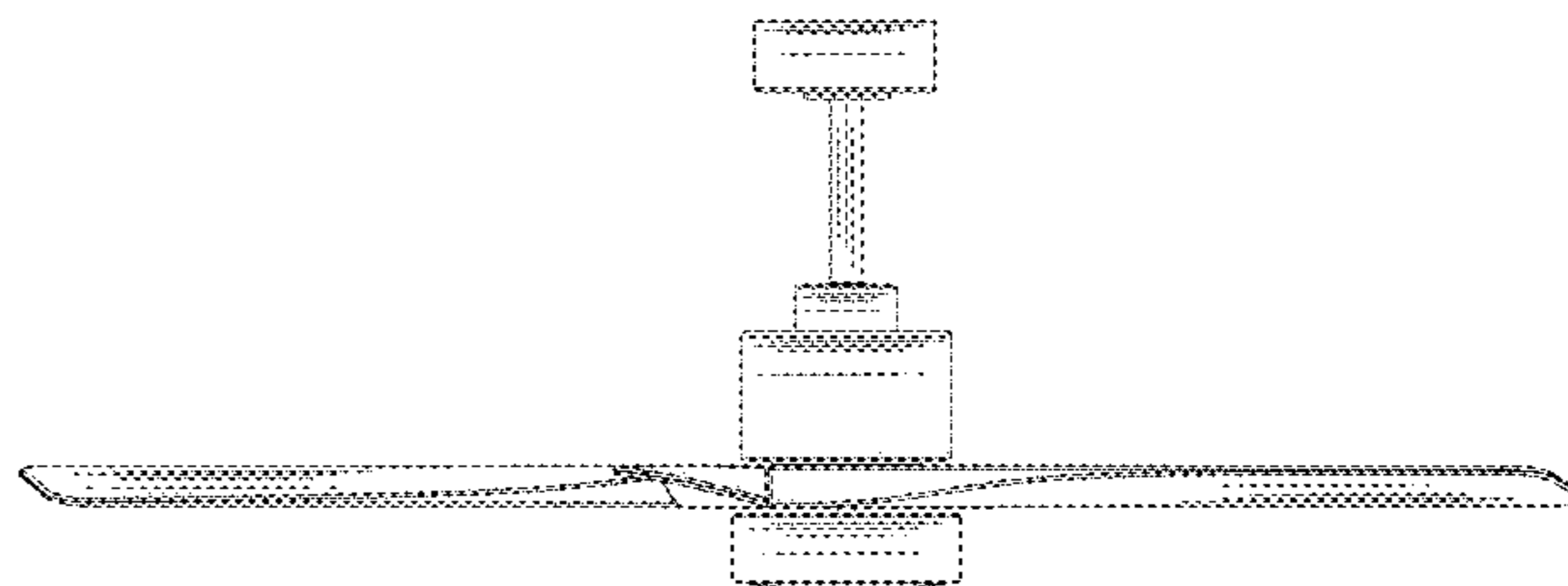
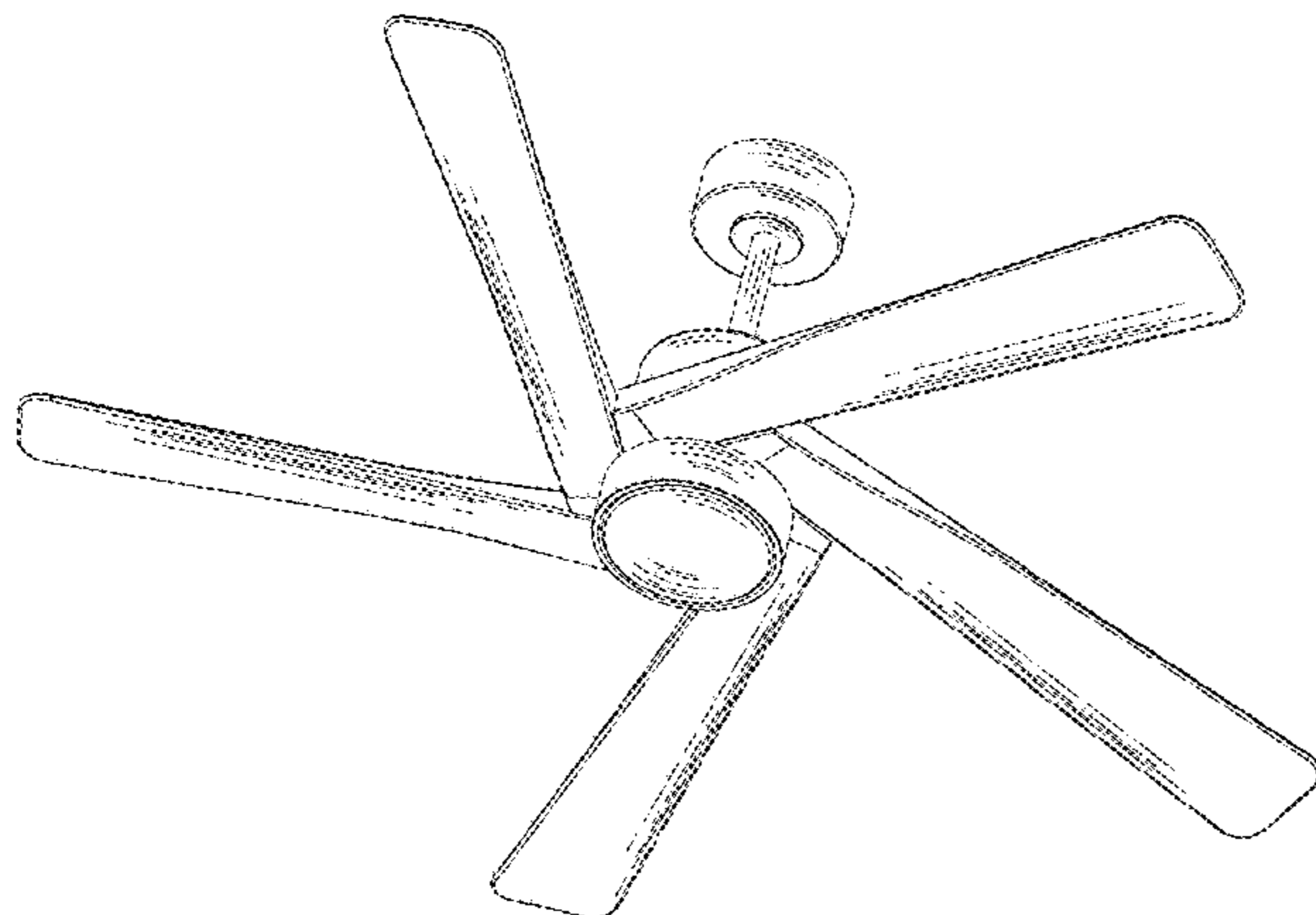
(57) **CLAIM**

The ornamental design for a ceiling fan with light, as shown and described.

**DESCRIPTION**

FIG. 1 is a perspective view of a ceiling fan with light showing my new design;  
FIG. 2 is another perspective view thereof  
FIG. 3 is a front elevational view thereof;  
FIG. 4 is a rear elevational view thereof;  
FIG. 5 is a left side view thereof;  
FIG. 6 is a right side view thereof;  
FIG. 7 is a top plan view thereof;  
FIG. 8 is a bottom plan view thereof; and,  
FIG. 9 is a portion of the top plan view of FIG. 7 enlarged for magnification purposes.  
The dash-dash broken lines encircling portions of the ceiling fan with light in FIG. 7 and FIG. 9 form no part of the claimed design.

**1 Claim, 9 Drawing Sheets**



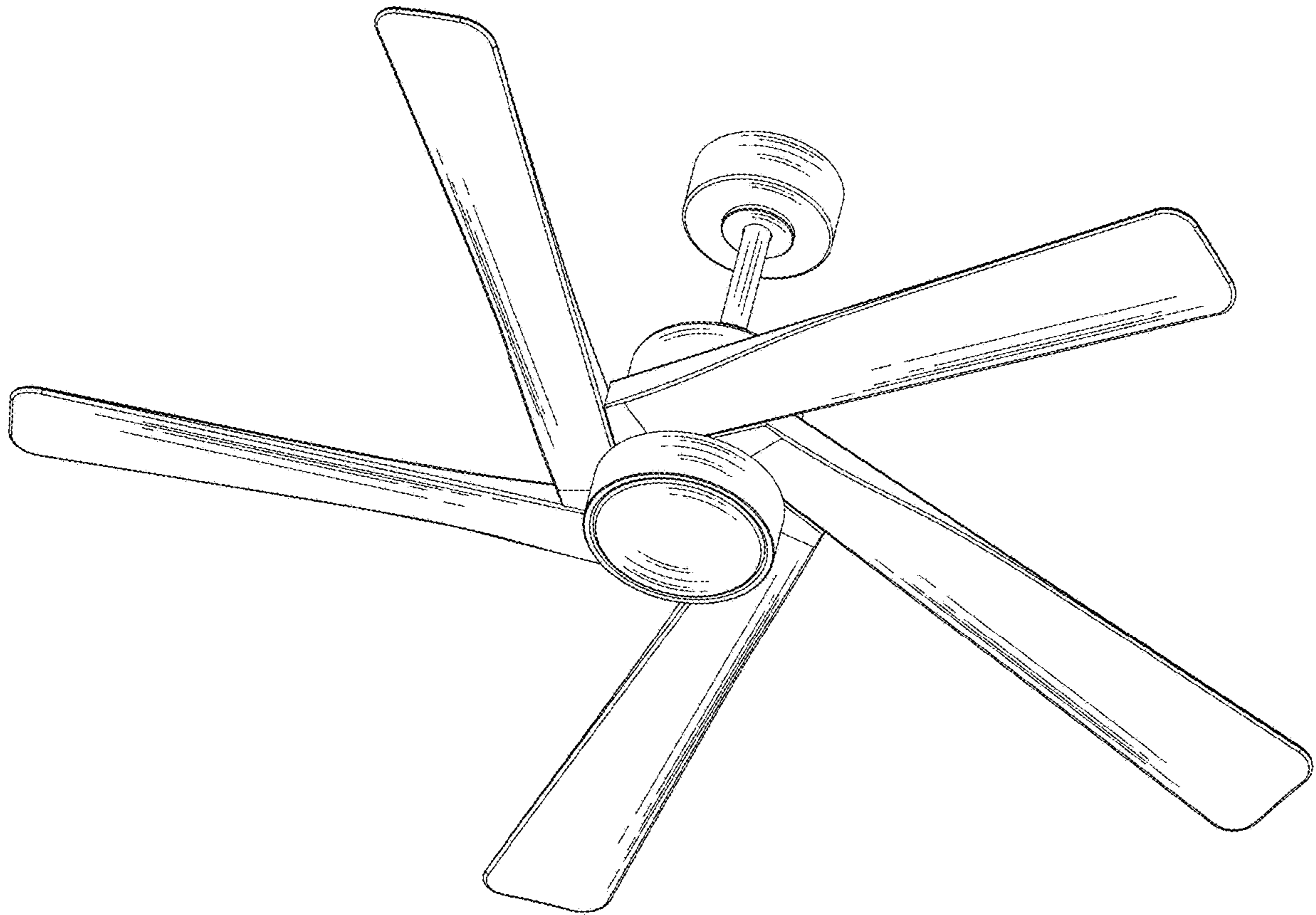


Fig. 1

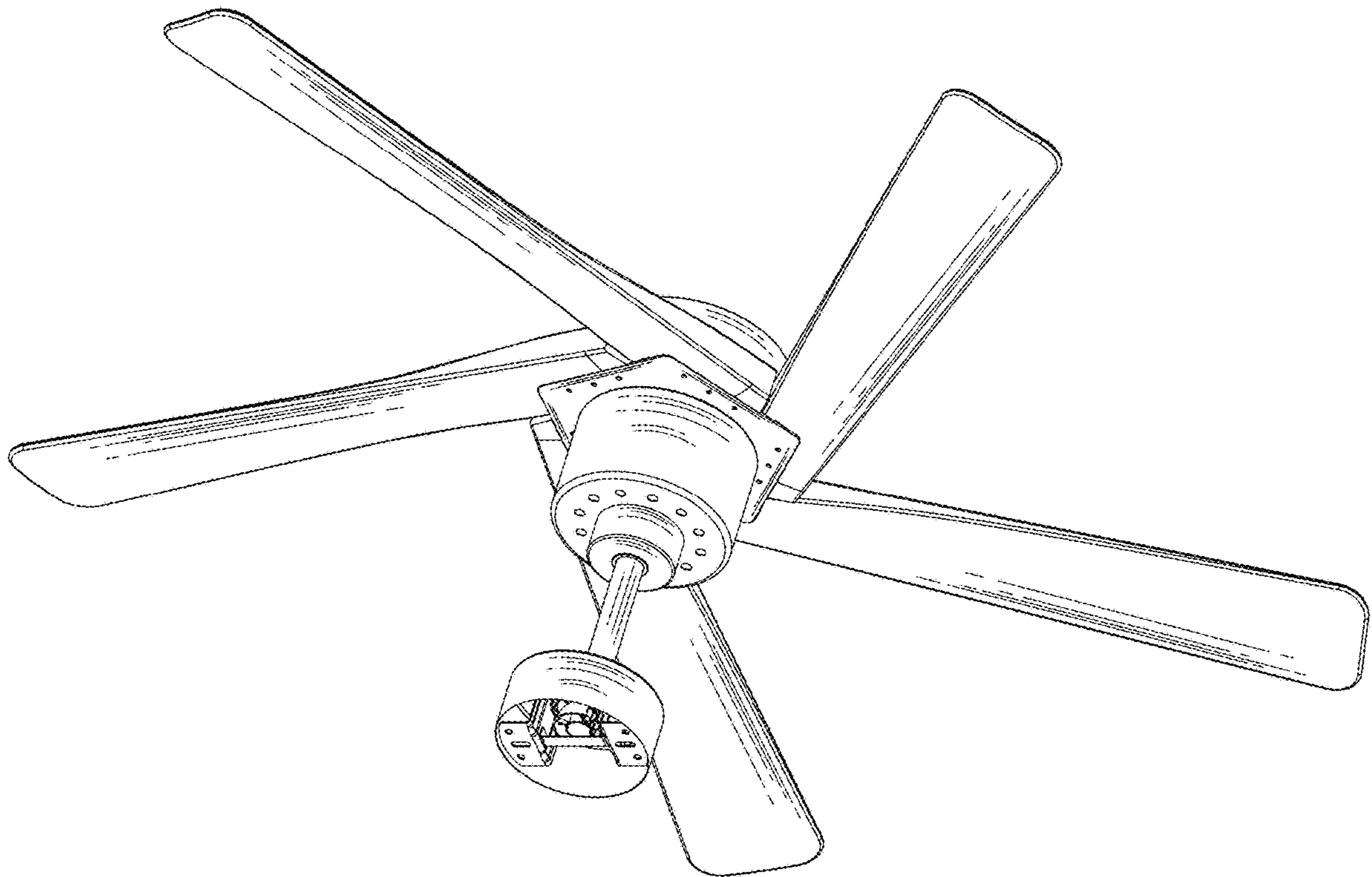


Fig. 2

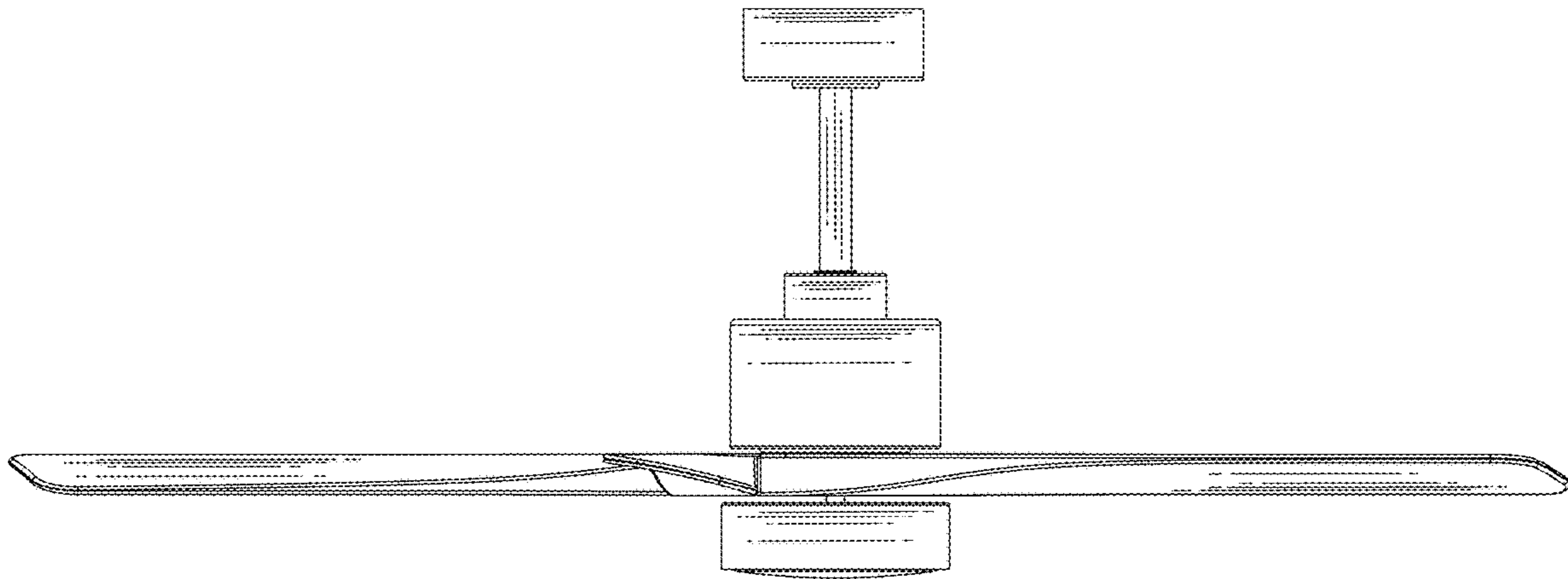


Fig. 3

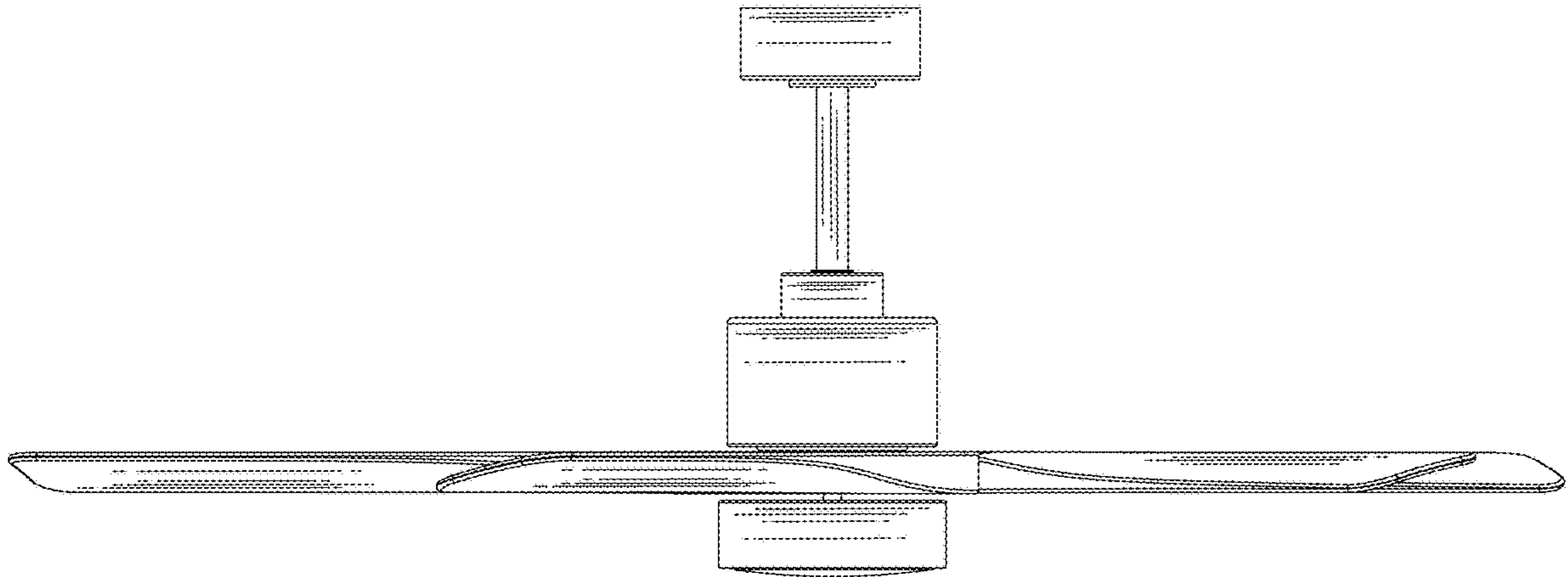


Fig. 4

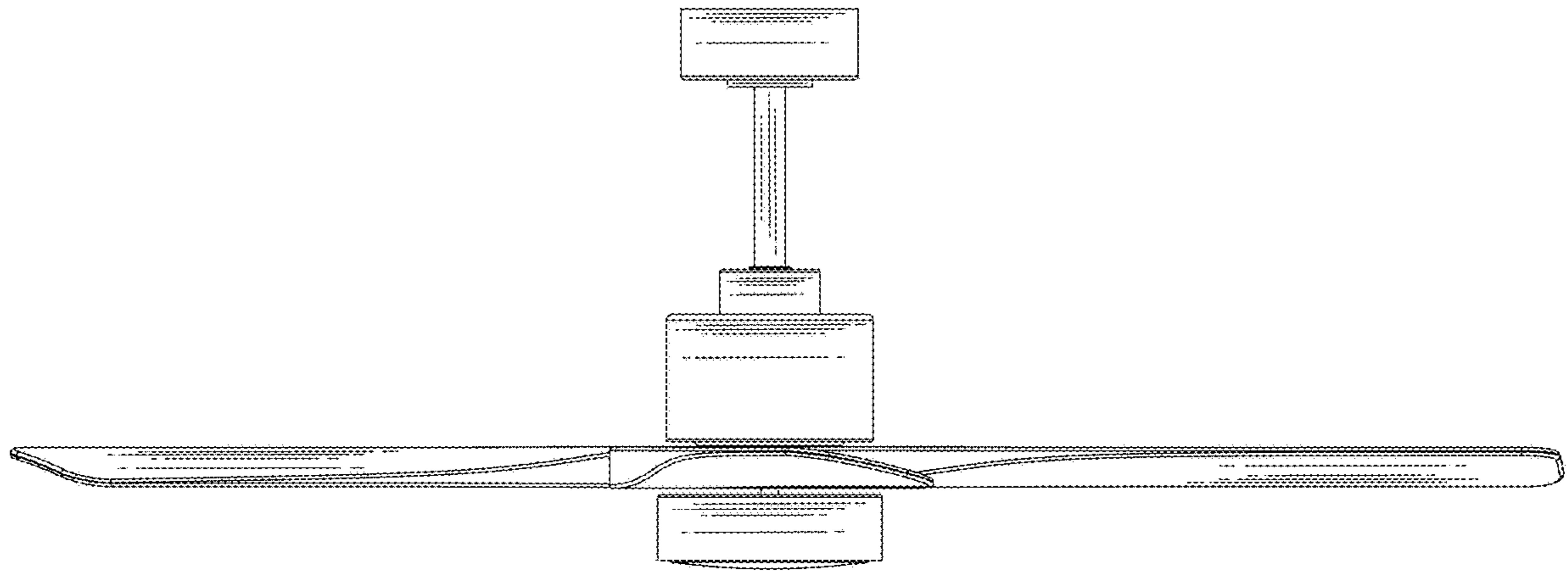


Fig. 5

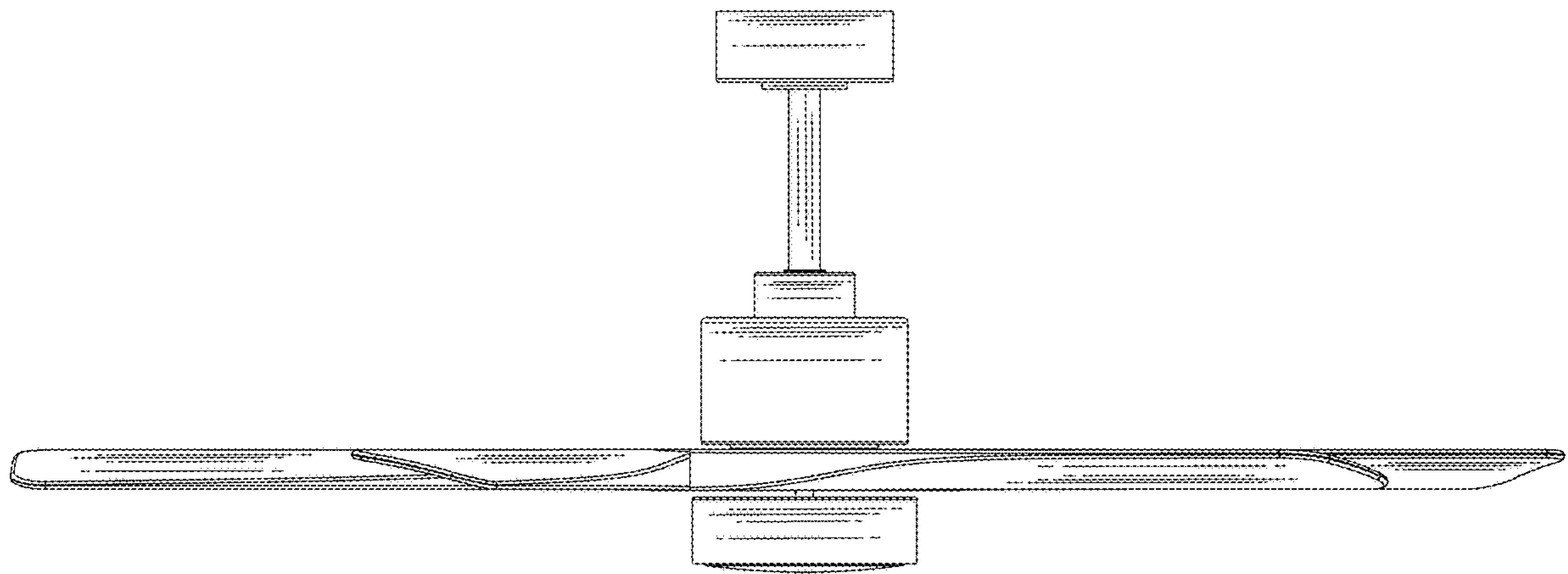


Fig. 6

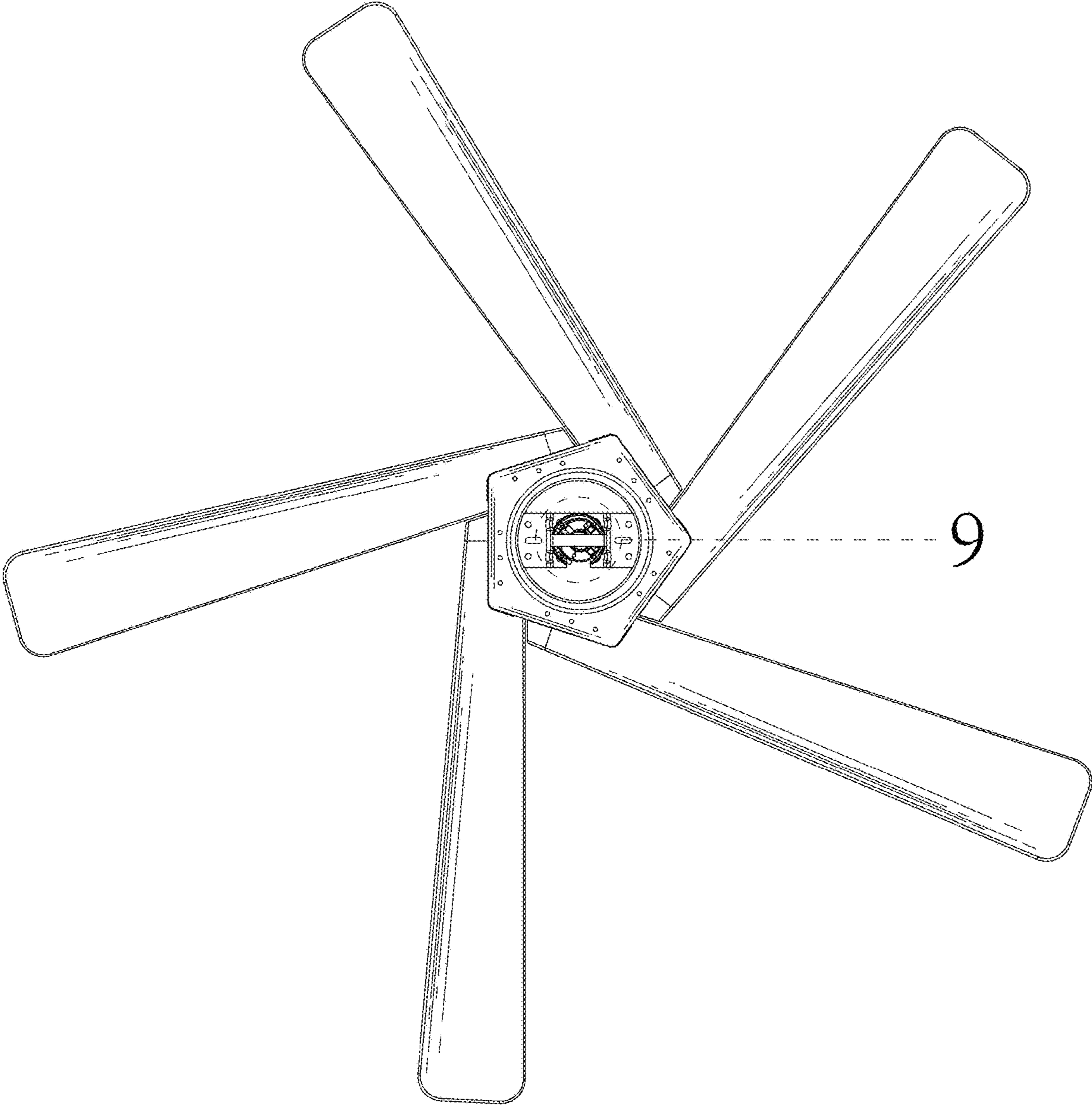


Fig. 7



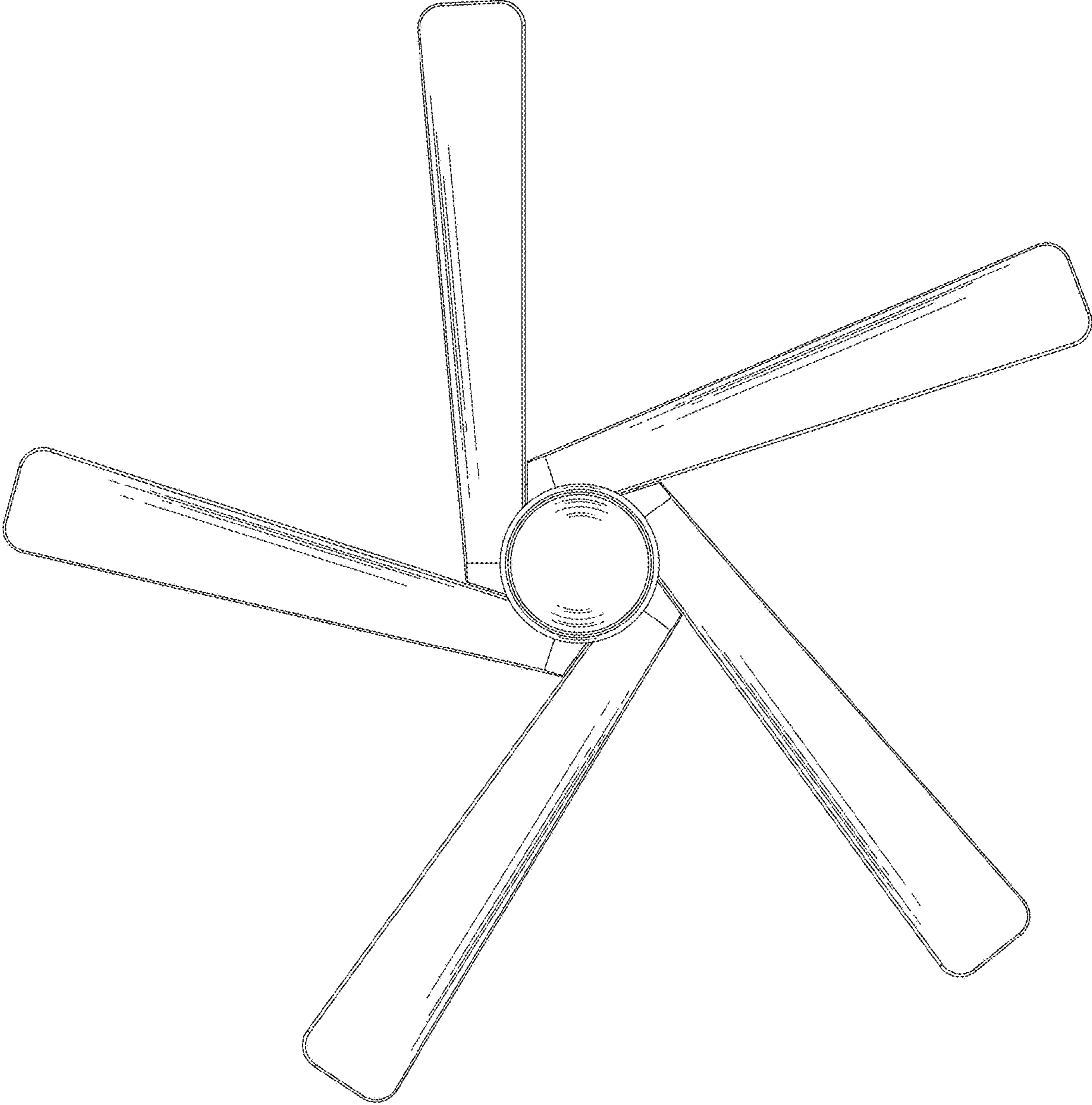


Fig. 8

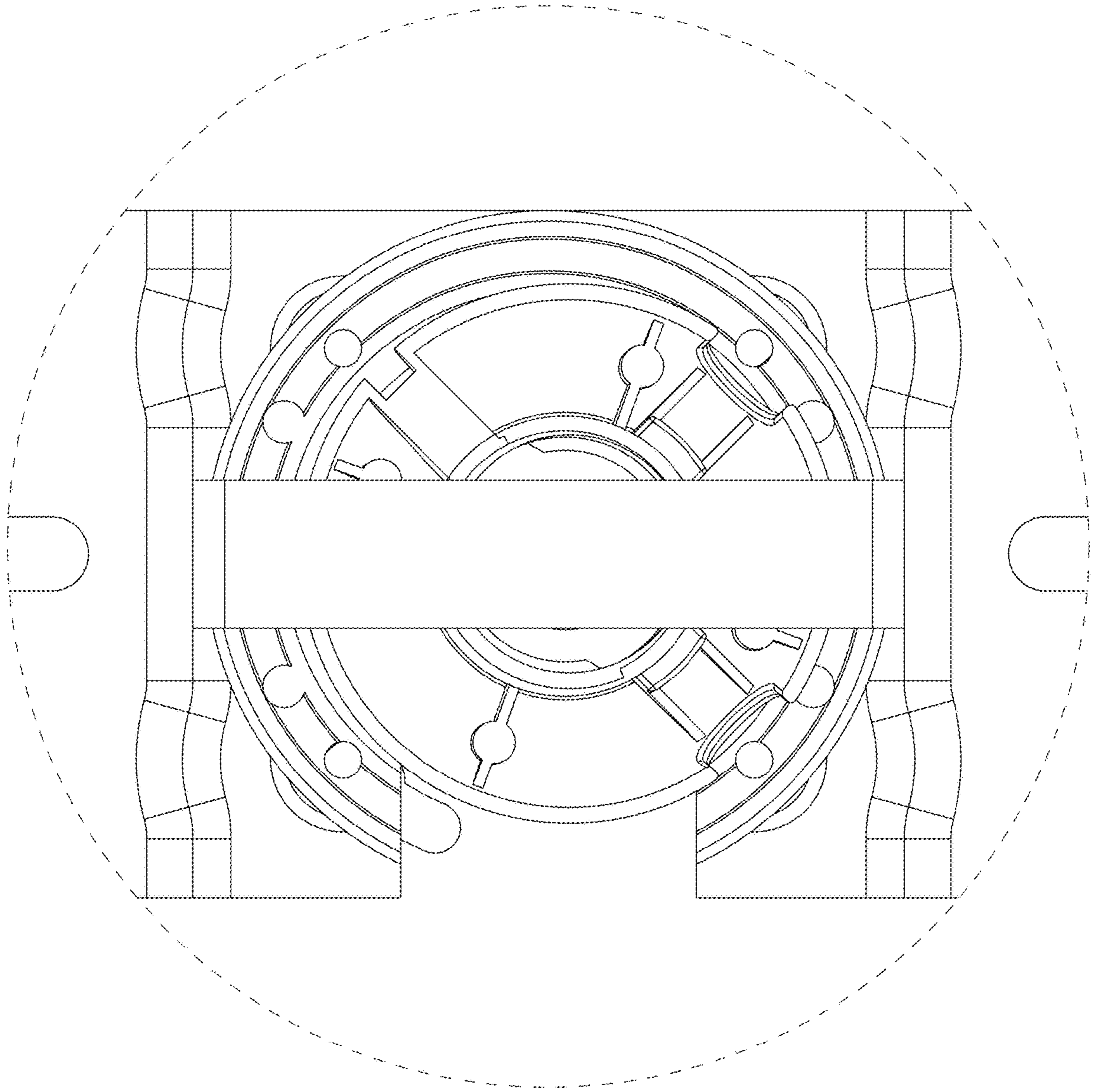


Fig. 9