



US00D983954S

(12) **United States Design Patent** (10) **Patent No.:** **US D983,954 S**
McRoberts (45) **Date of Patent:** **** Apr. 18, 2023**

(54) **CEILING FAN**
(71) Applicant: **Hunter Fan Company**, Memphis, TN (US)
(72) Inventor: **Claire Bernice McRoberts**, La Jolla, CA (US)
(73) Assignee: **Hunter Fan Company**, Memphis, TN (US)

D783,796 S 4/2017 Badarello et al.
D795,410 S 8/2017 Holmes
D795,411 S 8/2017 Wang
D796,024 S 8/2017 Holmes
D800,891 S 10/2017 McRoberts et al.
D804,640 S 12/2017 Hagggar et al.
D805,174 S 12/2017 Guthrie
D805,175 S 12/2017 Hagggar
D810,915 S 2/2018 Guthrie et al.
D825,052 S 8/2018 Guthrie
D866,746 S 11/2019 Holmes

(Continued)

(**) Term: **15 Years**

(21) Appl. No.: **29/812,225**

(22) Filed: **Oct. 20, 2021**

Related U.S. Application Data

(63) Continuation of application No. 29/722,396, filed on Jan. 29, 2020, now Pat. No. Des. 935,594.

(51) **LOC (14) Cl.** **23-04**

(52) **U.S. Cl.**
USPC **D23/377**

(58) **Field of Classification Search**
USPC D23/370, 377, 379, 385, 411; D26/59
CPC F04D 25/088; F04D 29/38; F04D 29/384;
F04D 29/386; F21V 33/0096; F21V
3/061; F21V 3/0615; F21S 8/043

See application file for complete search history.

(56) **References Cited**

U.S. PATENT DOCUMENTS

D386,257 S 11/1997 Liu
D402,075 S 12/1998 Hudak et al.
D490,182 S 5/2004 Benensohn
D561,374 S 2/2008 Hartmann, Jr. et al.
D571,035 S 6/2008 Yu
D609,799 S 2/2010 Lee
D632,381 S 2/2011 Davenport et al.
D707,336 S 6/2014 Pan
D739,001 S 9/2015 Crisa'
D773,030 S 11/2016 Puerto

OTHER PUBLICATIONS

<https://www.homedepot.com/p/Hunter-Crandon-Park-52-in-LED-Indoor-Matte-Black-Ceiling-Fan-with-Light-59188/206775610>, Hunter Fan Crandon Park 52 in. LED indoor Matte Black Ceiling Fan with Light, Model No. 59188, accessed Jan. 2, 2019.

(Continued)

Primary Examiner — Sharon S Oum

(74) *Attorney, Agent, or Firm* — McGarry Bair PC

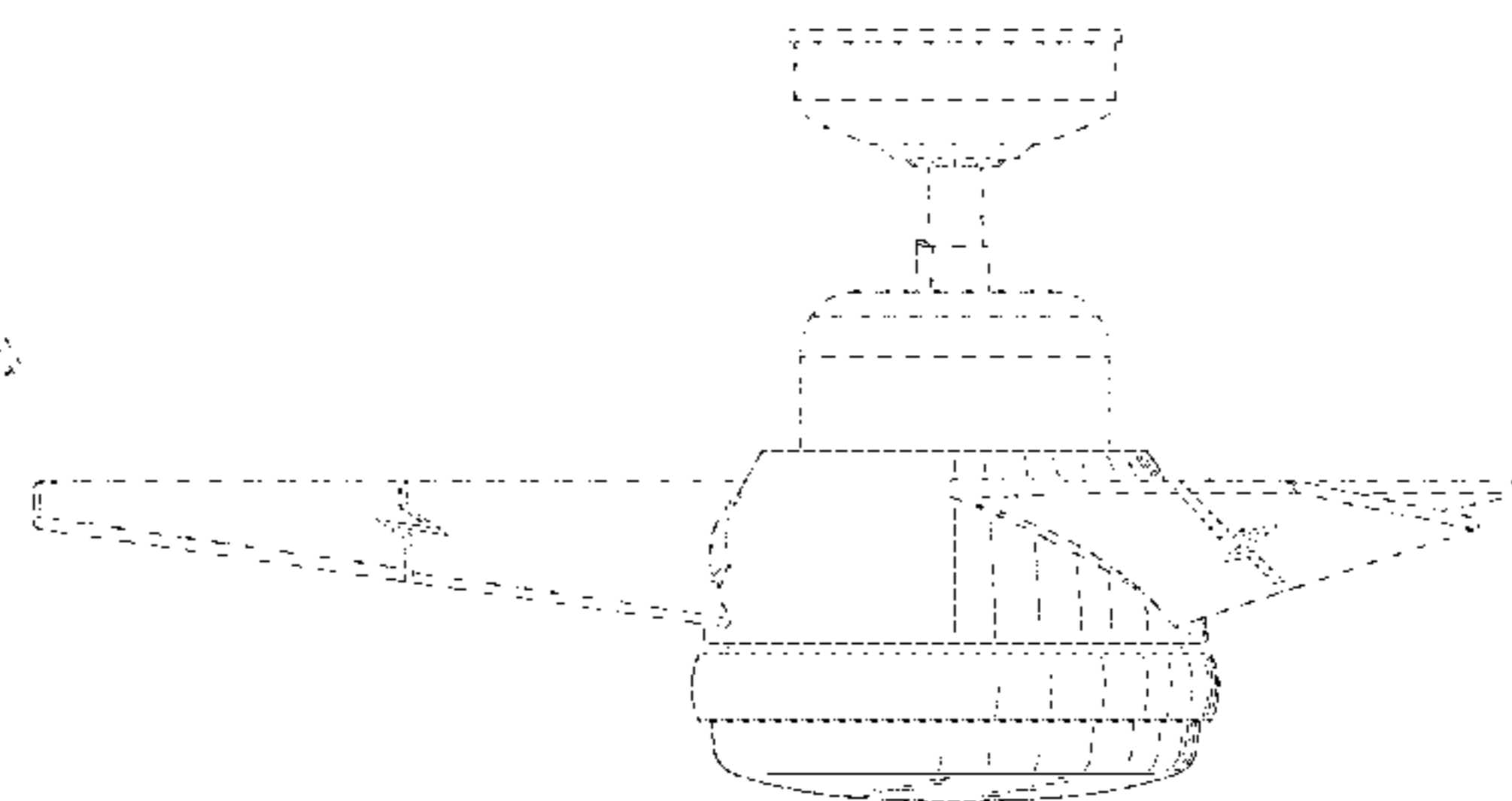
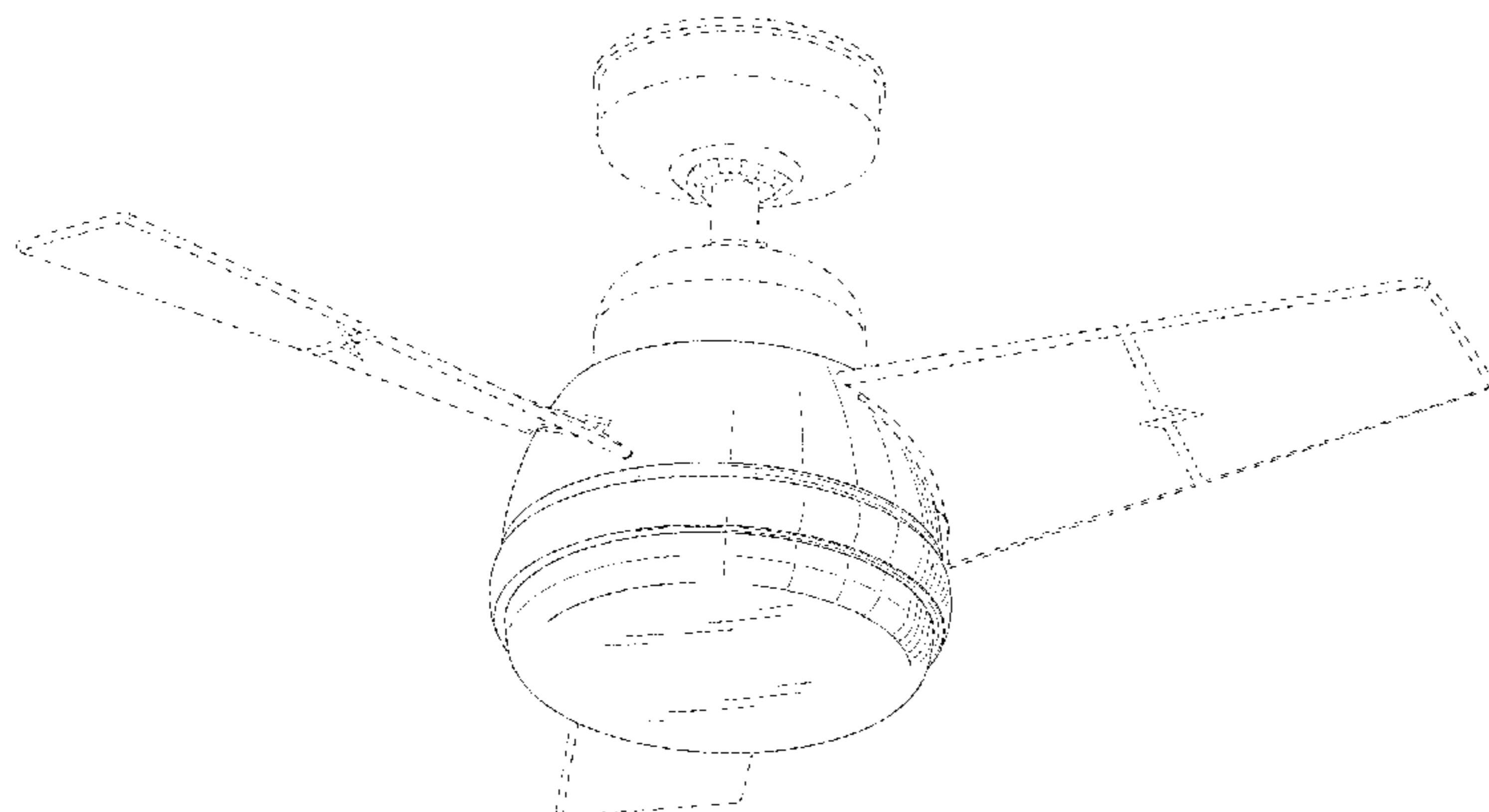
(57) **CLAIM**

The ornamental design for a ceiling fan, as shown and described.

DESCRIPTION

FIG. 1 is a top perspective view of a ceiling fan, showing my new design;
FIG. 2 is a bottom perspective view thereof;
FIG. 3 is a top view thereof;
FIG. 4 is a bottom view thereof;
FIG. 5 is a left side view thereof;
FIG. 6 is a front view thereof;
FIG. 7 is a right side view thereof; and,
FIG. 8 is a rear view thereof.
Portions of the ceiling fan shown in broken lines form no part of the claimed design.

1 Claim, 8 Drawing Sheets



(56)

References Cited

U.S. PATENT DOCUMENTS

D872,252 S	1/2020	McRoberts	
D874,635 S	2/2020	Holmes et al.	
D882,748 S	4/2020	Haggar	
D885,551 S	5/2020	McRoberts	
D890,321 S	7/2020	Holmes et al.	
D900,301 S	10/2020	Haggar	
D933,187 S	* 10/2021	McRoberts	D23/377
D935,594 S	* 11/2021	McRoberts	D23/377
D936,202 S	* 11/2021	McRoberts	D23/377
D938,572 S	* 12/2021	Holmes	D23/411
D943,078 S	* 2/2022	Holmes Bradley	D23/377
D948,022 S	* 4/2022	McRoberts	D23/377
D950,037 S	* 4/2022	Holmes Bradley	D23/377
D958,318 S	* 7/2022	Webb	D23/377
D969,299 S	* 11/2022	Haggar	D23/377
D969,991 S	* 11/2022	McRoberts	D23/411
2022/0252252 A1	* 8/2022	Wang	F04D 25/088

OTHER PUBLICATIONS

<https://www.homedepot.com/p/Hunter-Dempsey-44-in-Low-Profile-LED-Indoor-Fresh-White-Ceiling-Fan-with-Universal-Remote-59244/300241335>, Hunter Fan Dempsey 44 in. Low Profile LED Indoor Fresh White Ceiling Fan with Universal Remote, Model No. 59244, accessed Jan. 2, 2019.

<https://www.lowes.com/pd/Harbor-Breeze-Hydra-70-in-Brushed-Nickel-Indoor-Ceiling-Fan-with-Light-Kit-and-Remote-8-Blade/1000384303>, Harbor Breeze Hydra 70-in Brushed Nickel 8 Blade Indoor Ceiling Fan with Light Kit and Remote, accessed Jan. 2, 2019.

<https://ceilingfans.emerson.com/en-us/shop/fan/fan-cf500>, Emerson Euclid 56" 5 blade Ceiling Fan with 4.5" Downrod, Model No. CF500, accessed Jan. 2, 2019.

<https://www.craftmade.com/propel-ppI24>, Craftmade Propel 24" Ceiling Fan with Blades and Light Kit, Model No. PPL24ESP6, accessed Jan. 2, 2019.

<http://www.kichler.com/products/product/60-inch-zeus-ceiling-fan-ni-300060ni.aspx>, Kichler Zeus Collection, 60 Inch Ceiling Fan in Brushed Nickel, Model No. 300060NI, accessed Jan. 2, 2019.

<http://www.montecarlofans.com/57217/56-Avvo—Matte-White-3AVOR56RZWD.html>, Monte Carlo Avvo Collection, Avvo-56" Ceiling Fan in Matte White, Model No. 3AVOR56RZWD-V1, accessed Jan. 2, 2019.

<https://www.lumens.com/leoni-ceiling-fan-by-hunter-fans-HFNP148773.html>, Hunter Fan Leoni 3-Blade Ceiling Fan, Model No. 59219, accessed Jan. 4, 2019.

<file:///mbshare1/shared/GRDOCS/72312/750/OPINION/Casablanca%20Trident%20available%20at%20https://www.homedepot.com/p/Casablanca-Trident-54-in-Indoor-Snow-White-Ceiling-Fan-with-Universal-Wall-Control-59082/205328837>, Casablanca Trident 54 in. Indoor Snow White Ceiling Fan with Universal Wall Control, Model No. 59082, accessed Jan. 2, 2019.

<https://ceilingfans.emerson.com/en-us/shop/fan/fans-s-emerson-fans/modern/fan-cf550>, Emerson Luxe Eco 54" with Blades and Light, Model No. CF550, accessed Jan. 2, 2019.

<https://www.ceilingfan.com/Kichler-Lucian-Olde-Bronze-Ceiling-Fan-300176OZ-p/kc300176oz.htm>, Kichler Lucian 52" Ceiling Fan in Olde Bronze, Model No. 300176OZ, accessed Jan. 2, 2019.

<https://www.homedepot.com/p/Hunter-Aker-36-in-LED-Indoor-Brushed-Nickel-Ceiling-Fan-with-Light-59303/301927894>, Hunter Fan Aker 36 in. LED Indoor Brushed Nickel Ceiling Fan with Light, Model No. 59303, accessed Jan. 2, 2019.

<https://ceilingfans.emerson.com/en-us/shop/fan/fans-s-emerson-fans/modern/fan-cf955>, Emerson Midway Eco 54" Ceiling Fan with 4.5 Downrod with Light and LED Remote Control, Model No. CF955, accessed Jan. 2, 2019.

<https://www.homedepot.com/p/Home-Decorators-Collection-Windward-IV-52-in-Integrated-LED-Indoor-Outdoor-Oil-Rubbed-Bronze-Ceiling-Fan-with-Light-Kit-51660/206892724>, Home Decorators Collection Windward IV 52" Integrated LED Indoor/Outdoor Ceiling Fan with Light in Oil-Rubbed Bronze, Model No. 51660, accessed Jan. 2, 2019.

<http://www.kichler.com/products/product/54-inch-lehr-ii-fan-dbk-310112dbk.aspx>, Kichler Lehr II Climates Collection, 54 inch Ceiling Fan in Distressed Black, Model No. 310112DBK, accessed Jan. 2, 2019.

<https://www.minkagroup.net/f543l-ka.html>, Minka Aire Swept 56" 4-Blade LED Ceiling Fan in Kocoa Finish with Kocoa Blades and an Etched Lens, Model No. F543L-KA, accessed Jan. 2, 2019.

<https://www.menards.com/main/lighting-ceiling-fans/ceiling-fans/indoor-ceiling-fans/hunter-reg-juliet-52-matte-black-ed-ceiling-fan/59223/p-1471978730909.htm>, Hunter Fan Juliet 52" Matte Black LED Ceiling Fan, Model No. 59223, accessed Jan. 4, 2019.

* cited by examiner

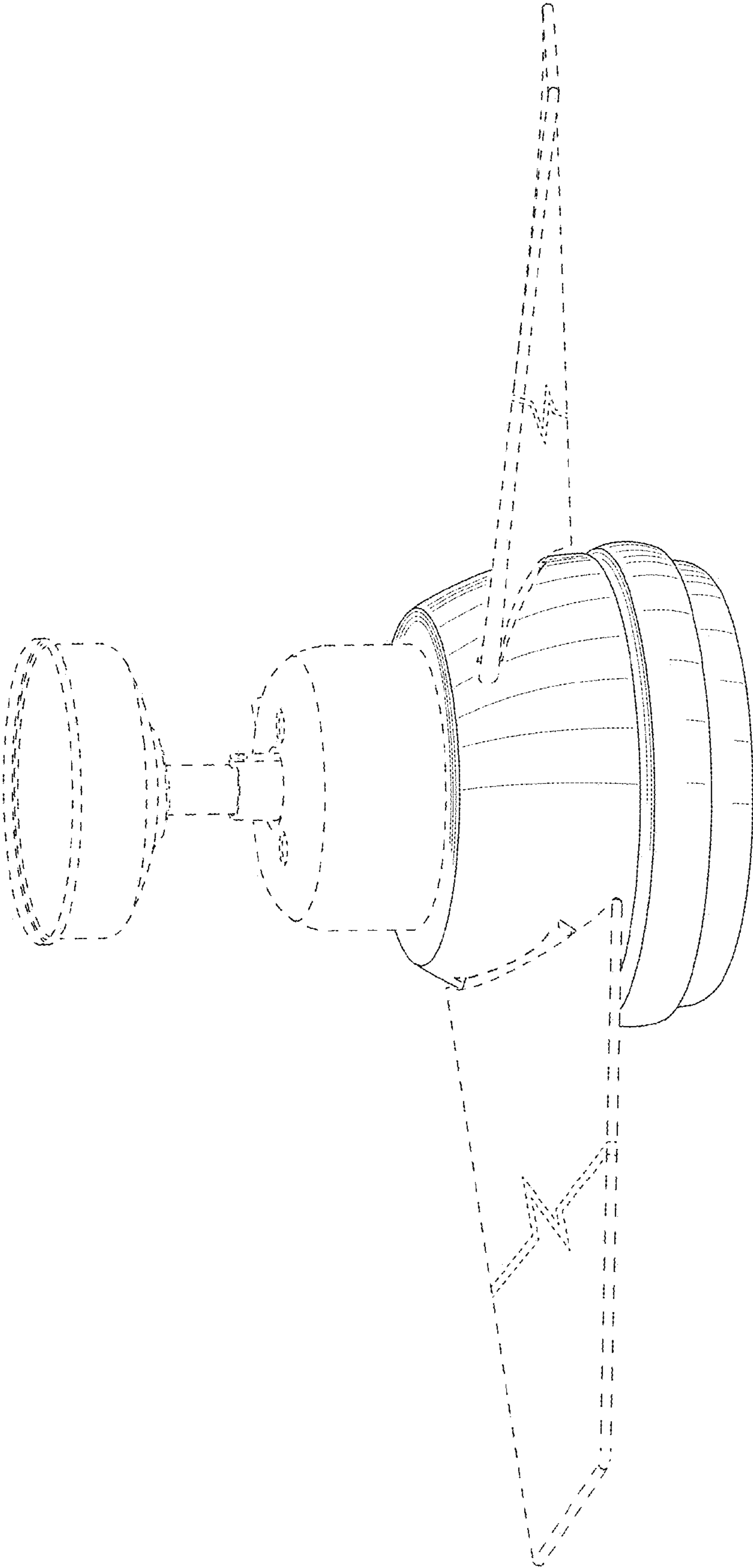


FIG. 1

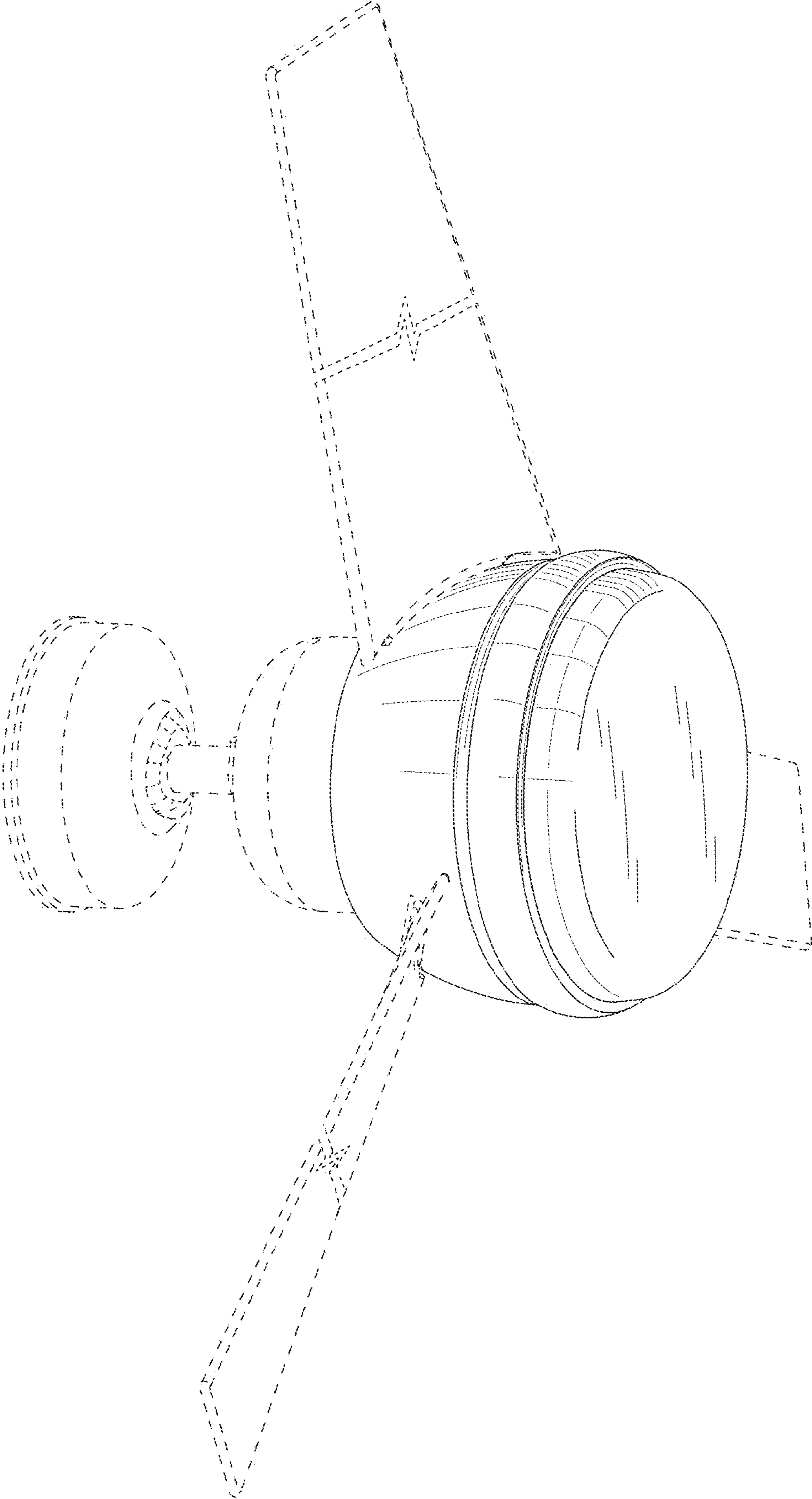


FIG. 2

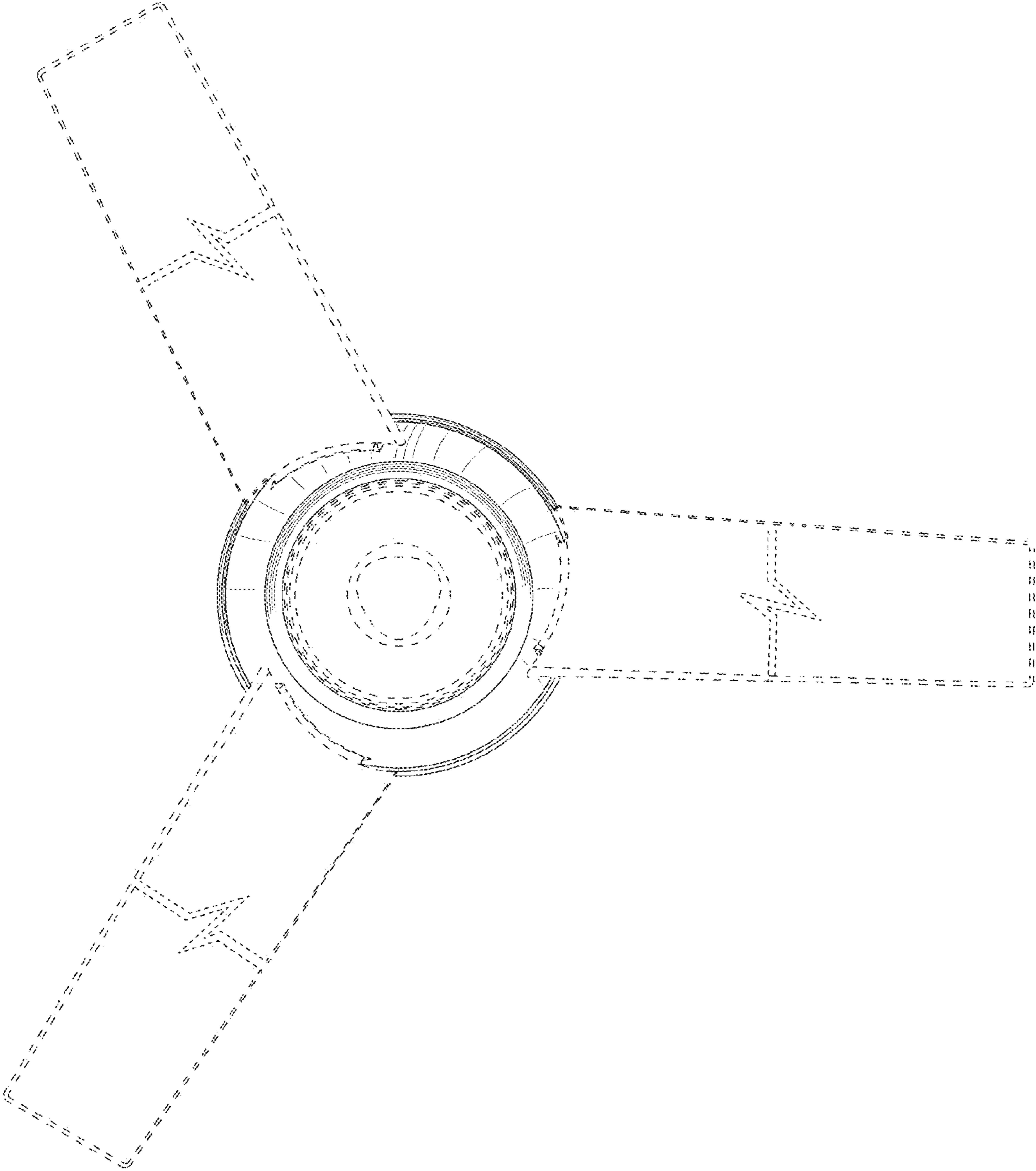


FIG. 3

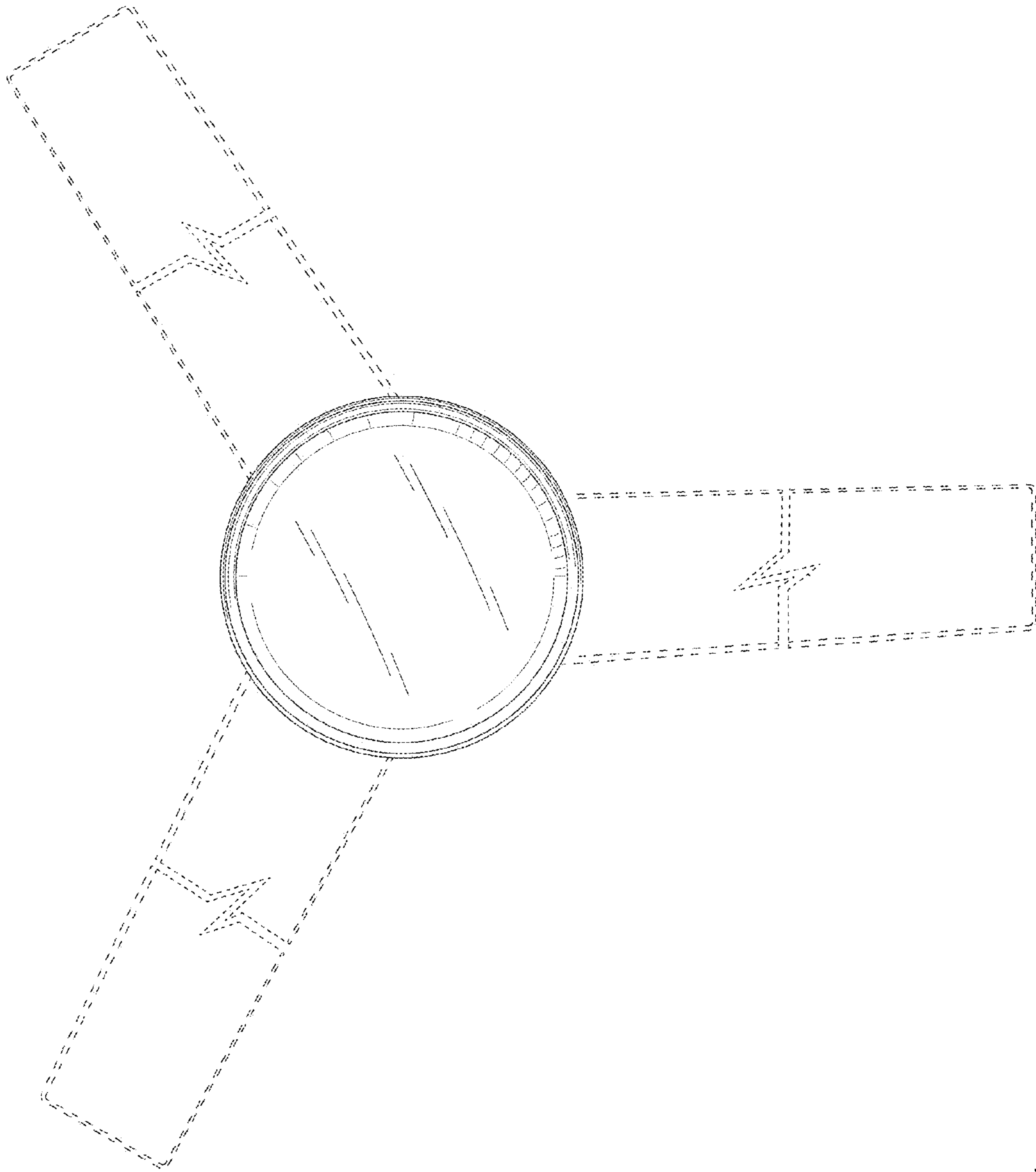


FIG. 4

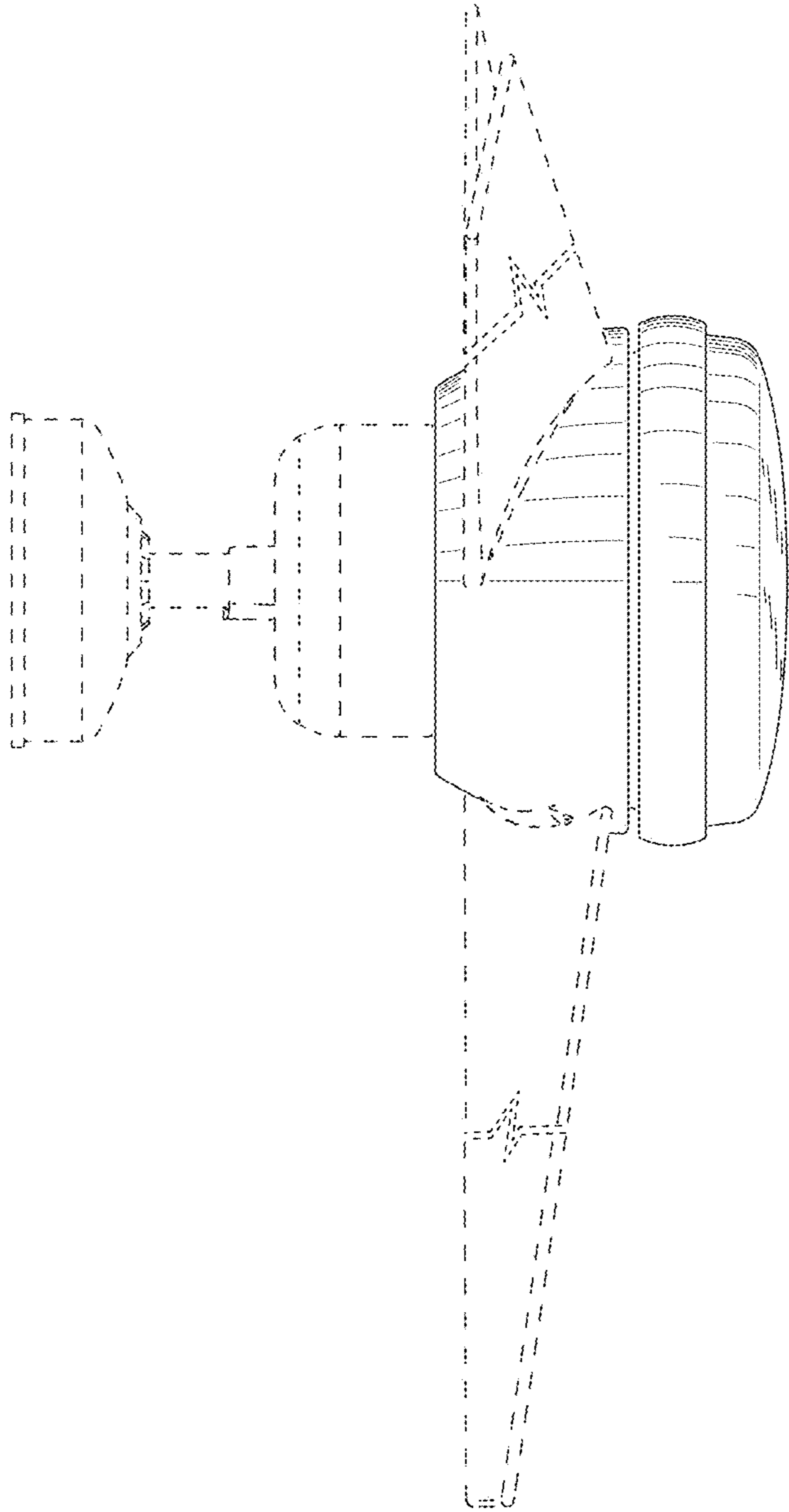


FIG. 5

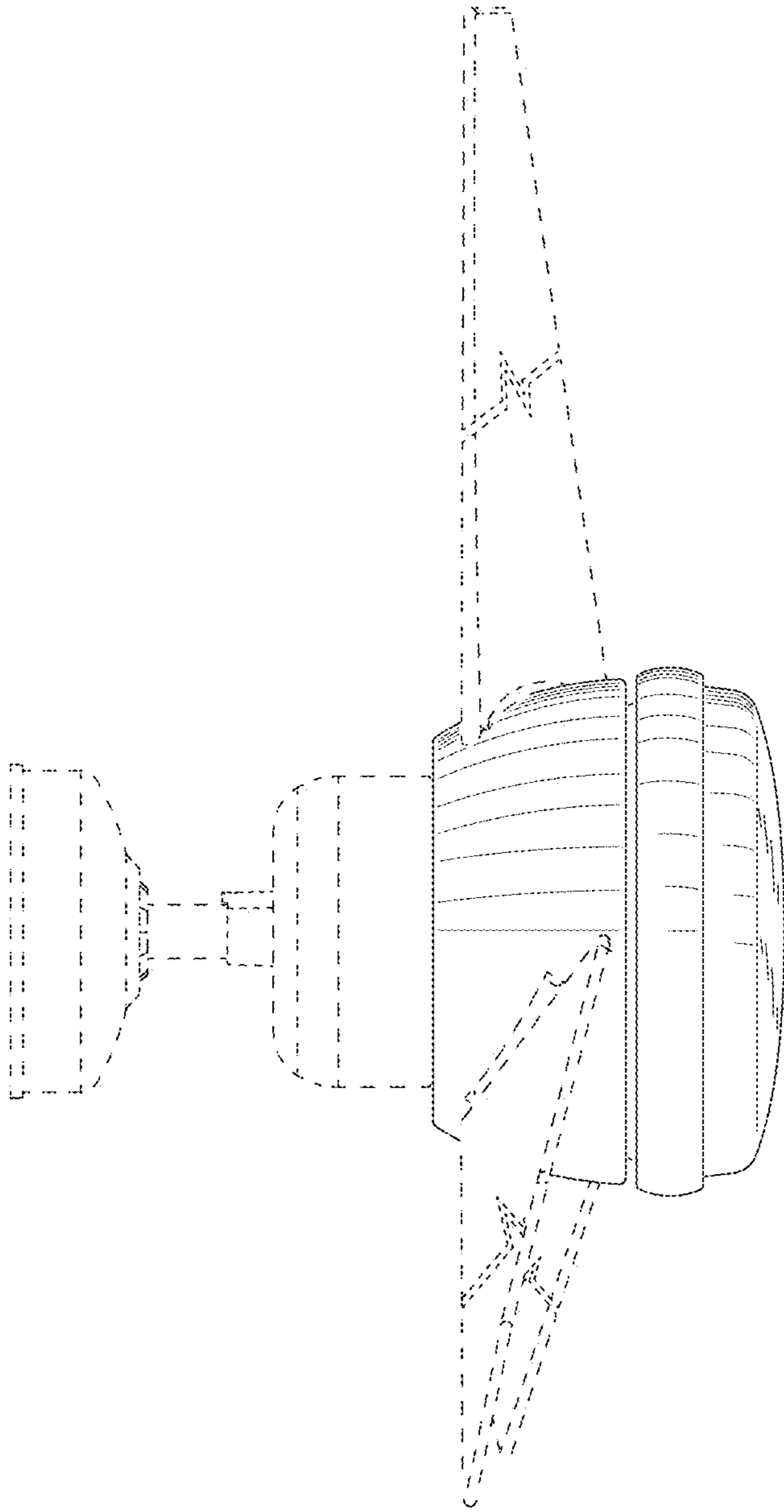


FIG. 6

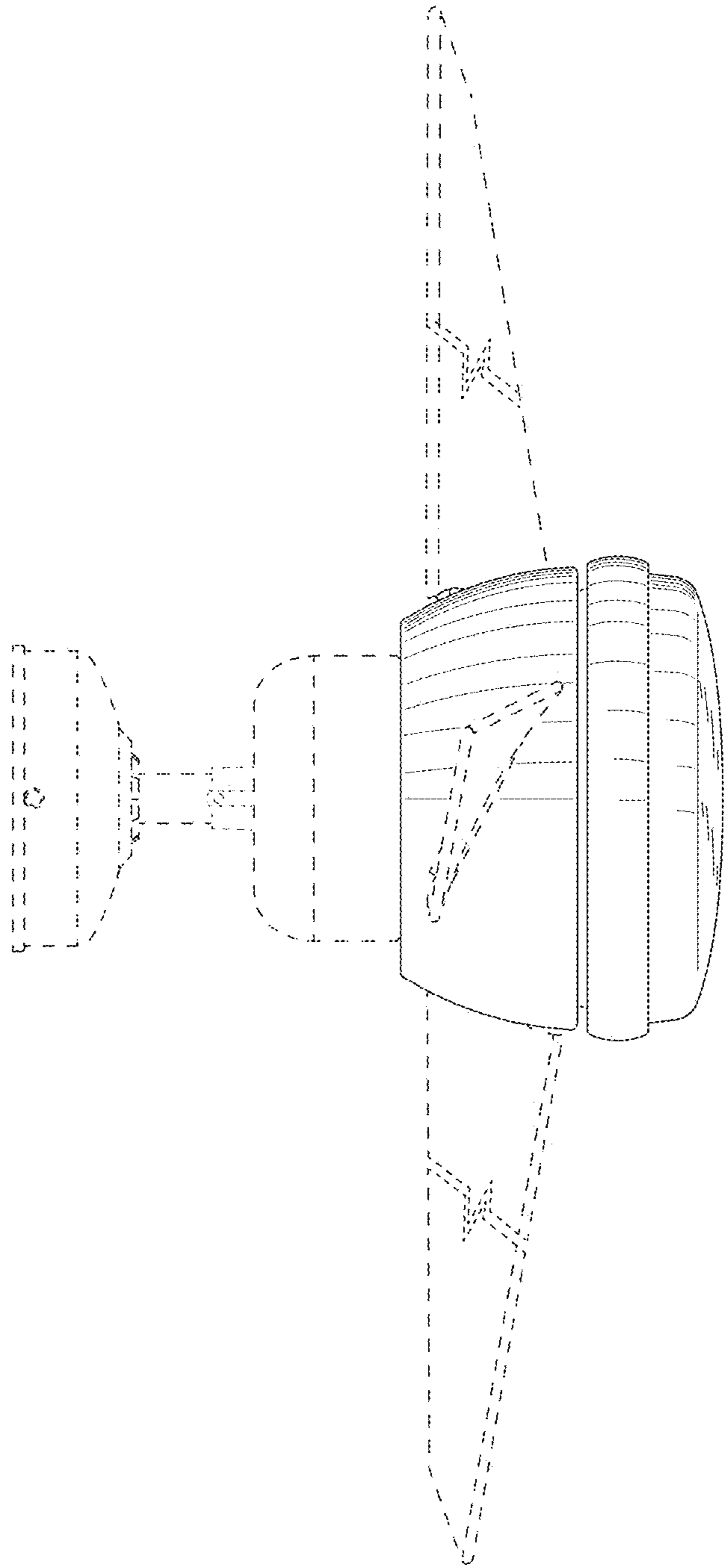


FIG. 7

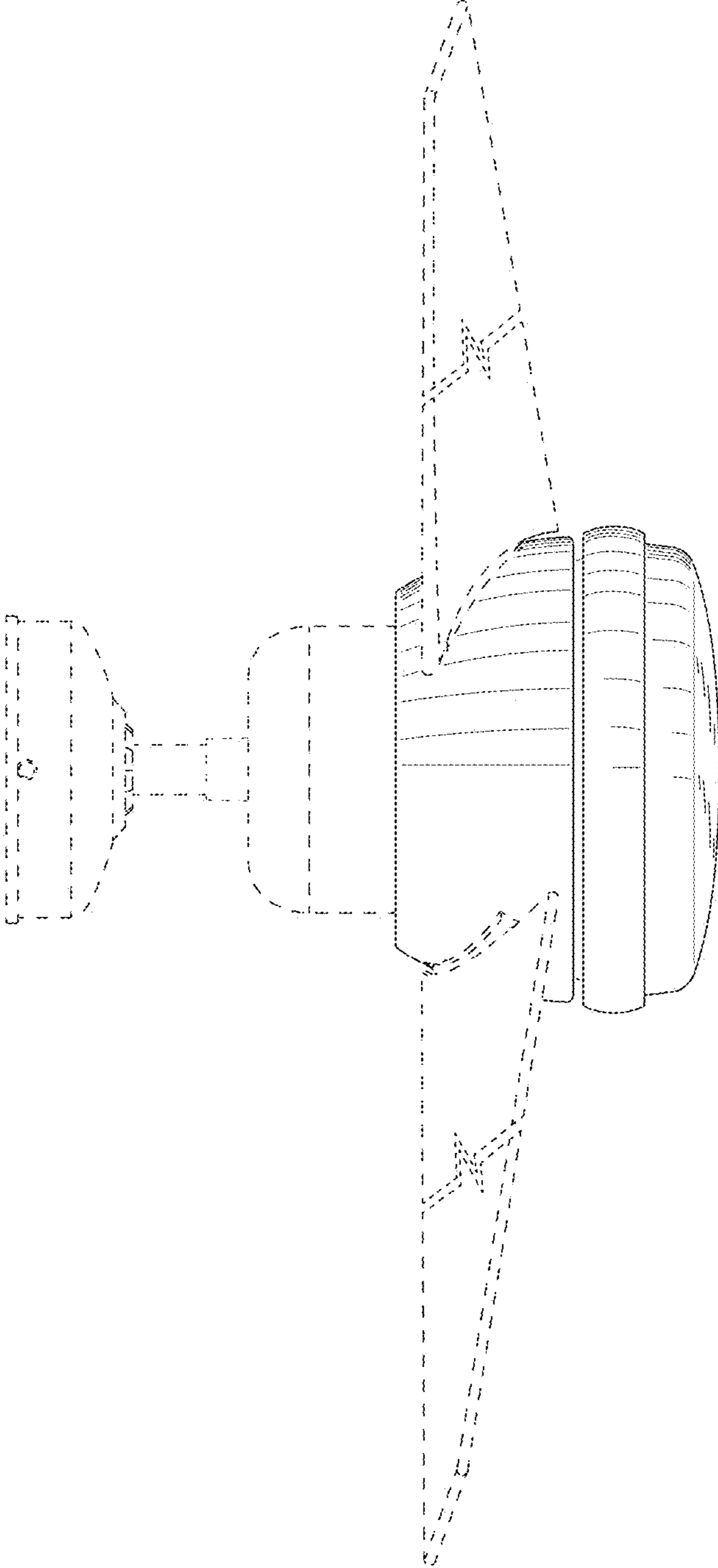


FIG. 8