



US00D983953S

(12) **United States Design Patent** (10) **Patent No.:** **US D983,953 S**
Bishara (45) **Date of Patent:** **** Apr. 18, 2023**

(54) **AIR FRESHENER**
(71) Applicant: **Anan Bishara**, Brooklyn, NY (US)
(72) Inventor: **Anan Bishara**, Brooklyn, NY (US)
(**) Term: **15 Years**
(21) Appl. No.: **29/783,242**
(22) Filed: **May 12, 2021**
(51) **LOC (14) Cl.** **23-04**
(52) **U.S. Cl.**
USPC **D23/366**
(58) **Field of Classification Search**
USPC D23/213, 332, 333, 336, 355-369, 370,
D23/386, 388; D26/26, 40, 46, 49, 97,
D26/123, 124; D14/125, 195, 204, 221,
D14/228, 253, 348, 358, 496; D12/415;
D3/211; D15/5; D9/420, 421, 551;
D27/189
CPC A61L 9/03; A61L 9/04; A61L 9/05; A61L
9/12; A61L 9/14; A61L 9/012; A61L
9/015; A61L 9/048; A61L 9/122; A61L
9/127; A61L 2209/11; A61L 2209/14;
A61L 2209/133; Y10S 261/17; Y10S
261/88; Y10S 261/89; H04B 1/3877;
A45C 11/008; A45D 33/26; B65D 25/04;
B65D 43/162
See application file for complete search history.

D449,102 S * 10/2001 Shin A61L 9/12
D23/366
D532,695 S * 11/2006 Grant D9/551
D532,893 S 11/2006 Wu
D538,912 S 3/2007 Kaplan
D591,415 S 4/2009 Wu
D604,825 S 11/2009 Brandenburg
7,687,038 B2 3/2010 Wheately
7,780,094 B2 8/2010 Caserta
D643,100 S 8/2011 Whitehead
8,021,618 B1 9/2011 Cooper
D689,999 S * 9/2013 Viala D23/366
8,721,986 B2 5/2014 Chabot
D733,280 S 6/2015 Bourne
D739,000 S 9/2015 Berton
D762,294 S * 7/2016 Hanna D23/366
D794,766 S * 8/2017 Patton D23/366
D800,884 S * 10/2017 Patton D23/366
D803,374 S * 11/2017 Patton D23/366
D818,101 S * 5/2018 Patton D23/366
10,328,169 B2 6/2019 Marschall
10,427,502 B1 10/2019 Izaguirre
10,493,177 B2 12/2019 Knapp
(Continued)

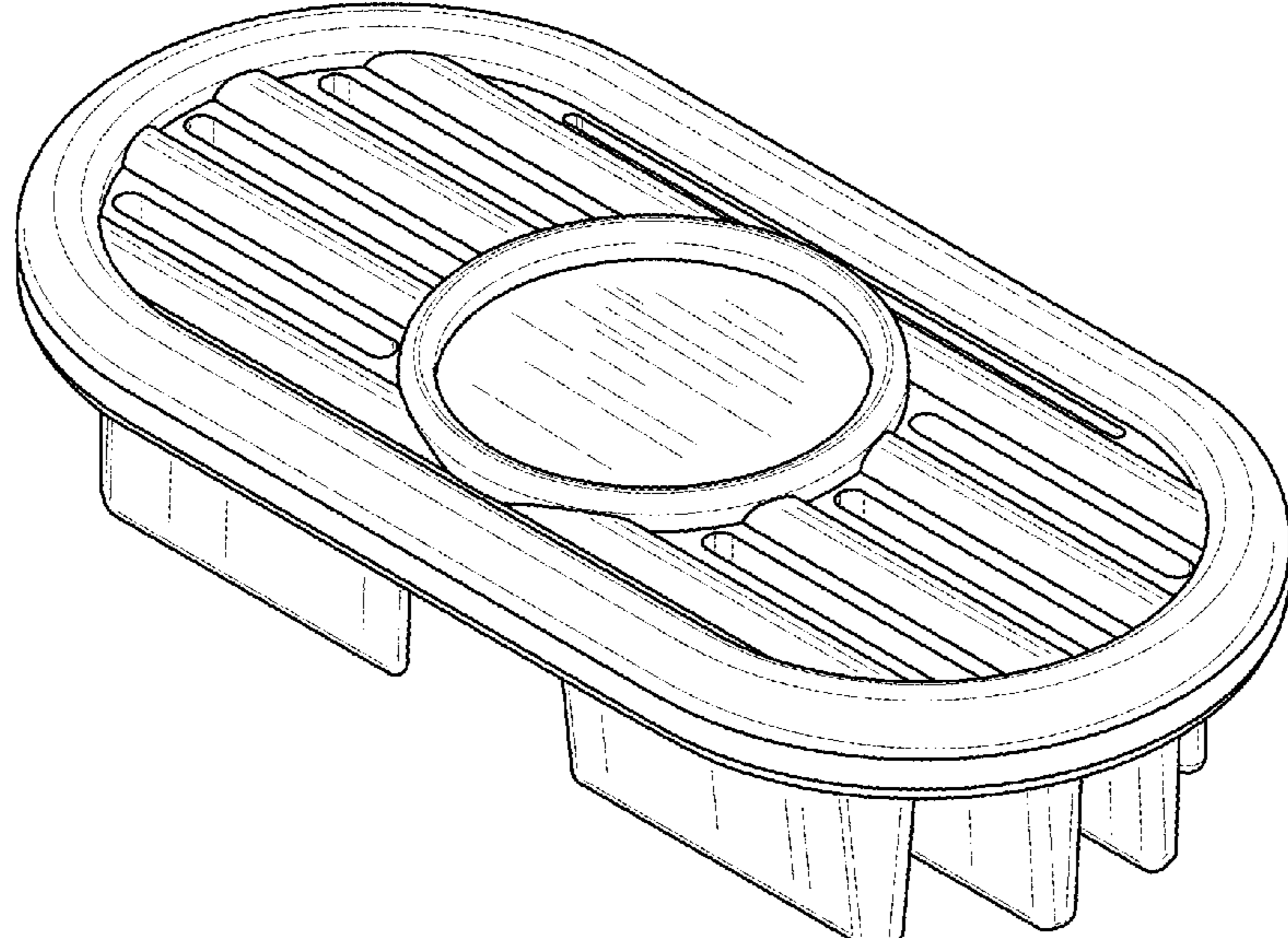
Primary Examiner — Gino Colan
Assistant Examiner — David O'Brien
(74) *Attorney, Agent, or Firm* — Goldstein Law Offices,
P.C.

(57) **CLAIM**
The ornamental design for an air freshener, as shown and described.

(56) **References Cited**
U.S. PATENT DOCUMENTS
4,065,262 A 12/1977 Petroff
4,523,870 A 6/1985 Spector
5,269,723 A 12/1993 Bender
D344,327 S 2/1994 Favasso
5,762,549 A 6/1998 Scheuer
5,861,128 A 1/1999 Vick
6,103,201 A 8/2000 Green
6,117,218 A 9/2000 Snyder

DESCRIPTION
FIG. 1 is a perspective view of the air freshener.
FIG. 2 is a front elevational view of the air freshener.
FIG. 3 is a rear elevational view thereof.
FIG. 4 is a top plan view thereof.
FIG. 5 is a bottom plan view thereof.
FIG. 6 is a right side elevational view thereof; and,
FIG. 7 is a left side elevational view thereof.

1 Claim, 4 Drawing Sheets



(56)

References Cited

U.S. PATENT DOCUMENTS

D893,696	S	*	8/2020	Vicondo Fontanella	D23/366
2002/0197187	A1		12/2002	Murray	
2005/0169813	A1		8/2005	D'Amico	
2007/0264169	A1		11/2007	Chen	
2011/0139006	A1		6/2011	Mueller, Jr.	
2011/0268615	A1		11/2011	Lackey	
2012/0234117	A1		9/2012	Sanchez	
2018/0140736	A1		5/2018	Webb	

* cited by examiner

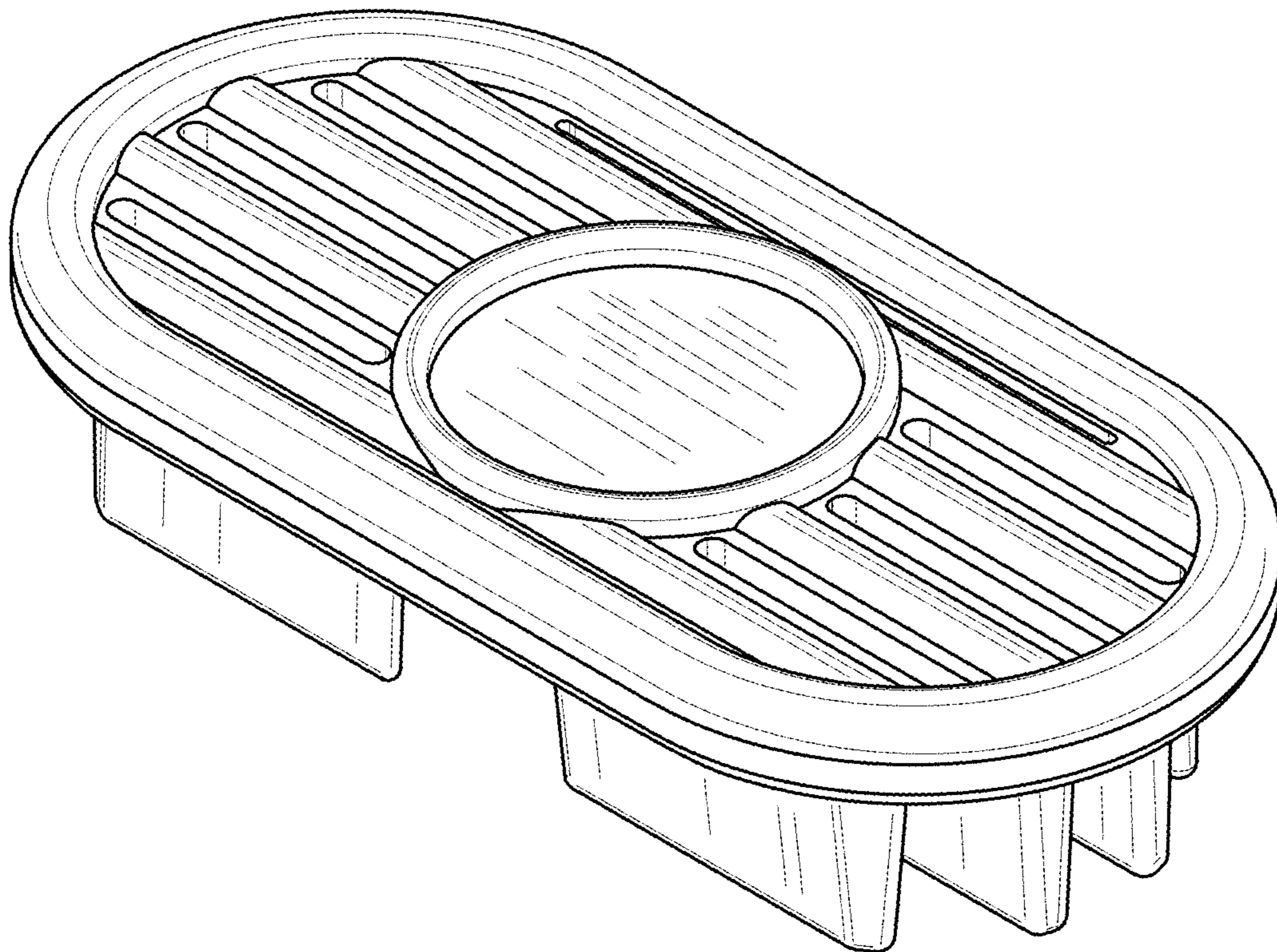


FIG. 1

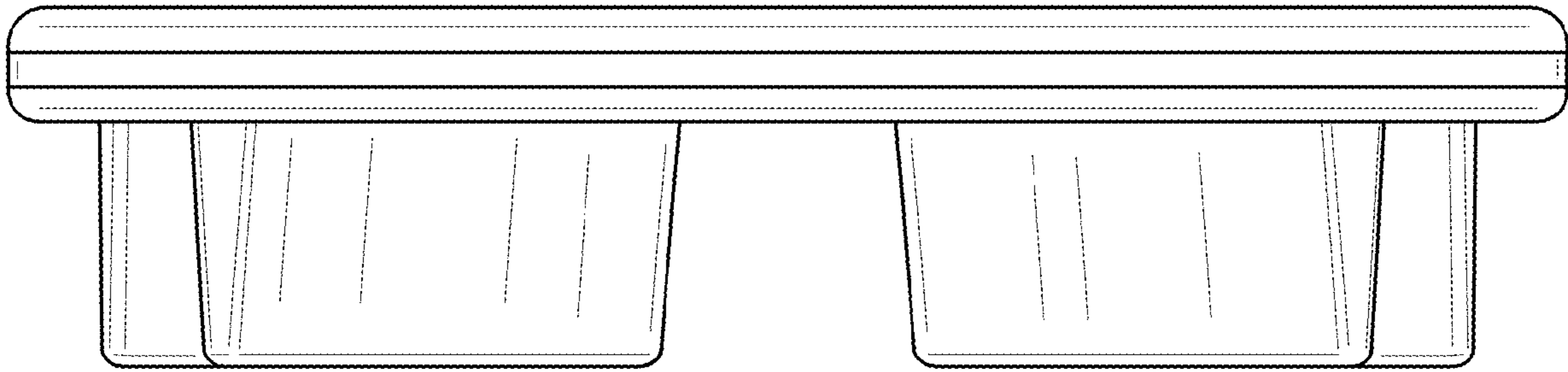


FIG. 2

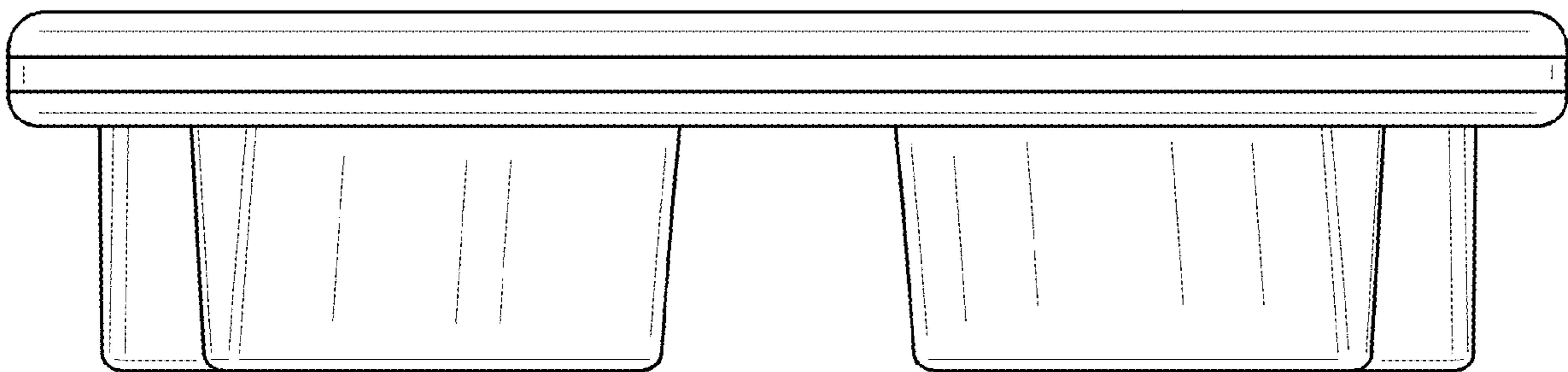


FIG. 3

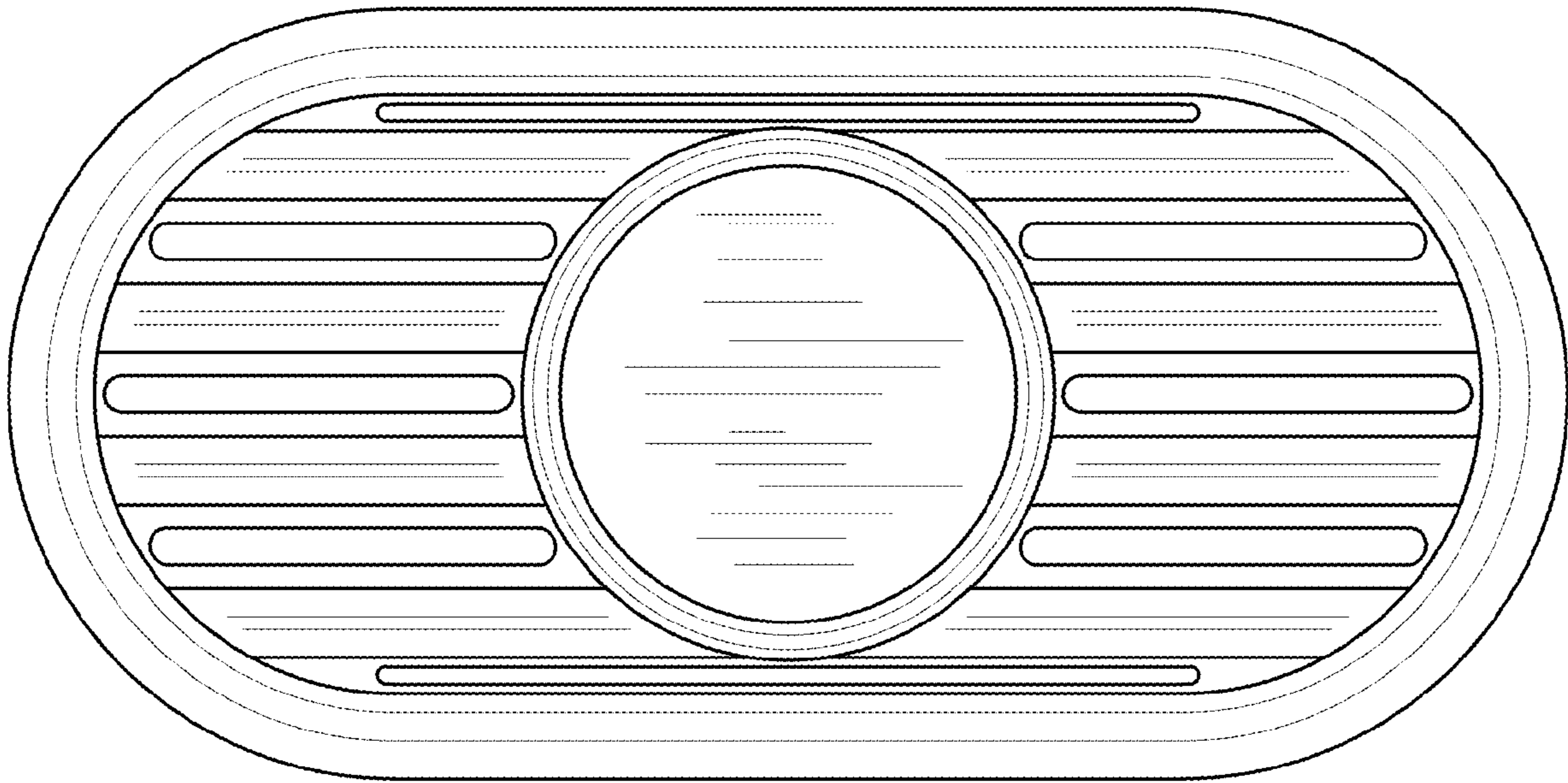


FIG. 4

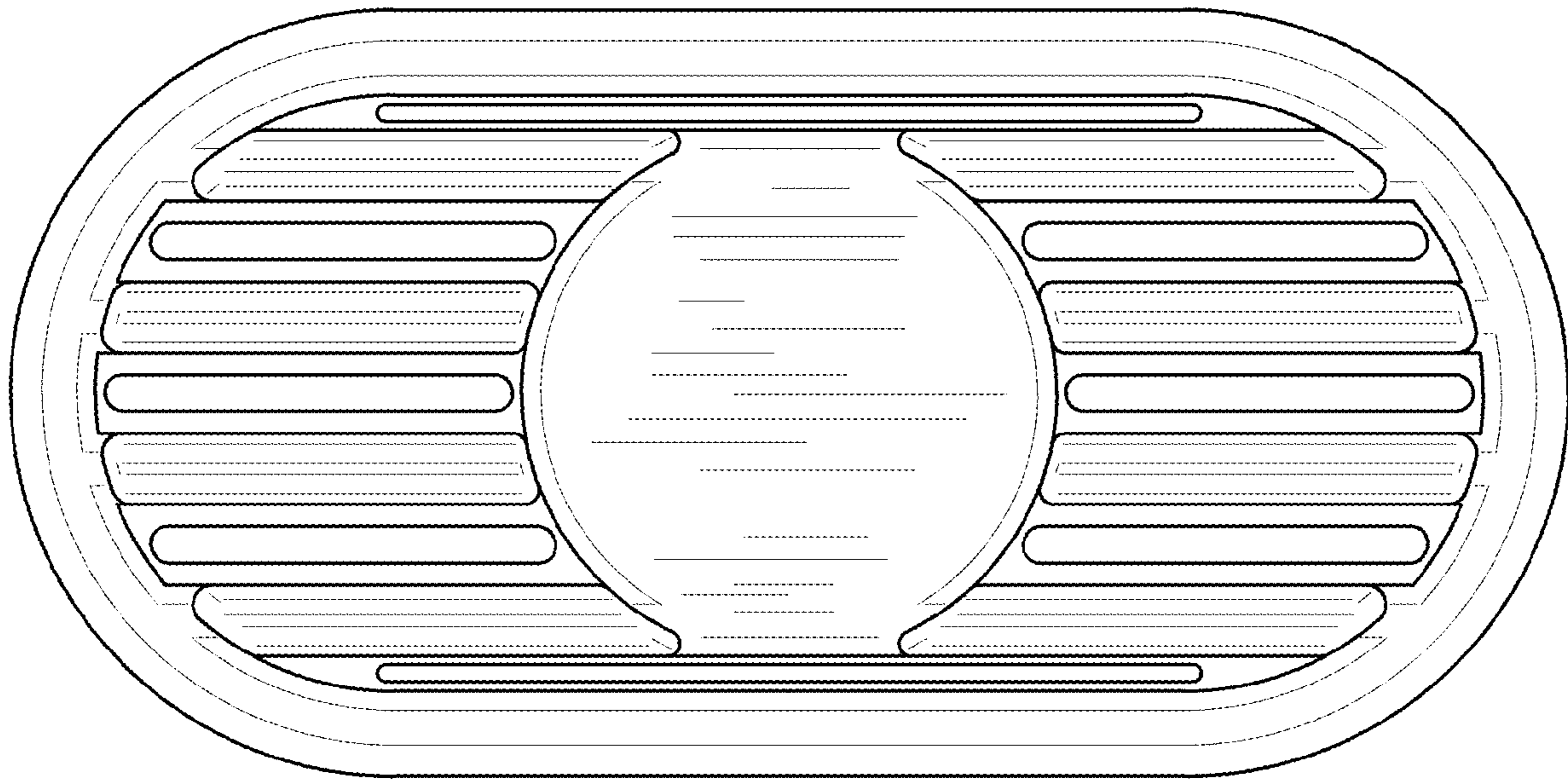


FIG. 5

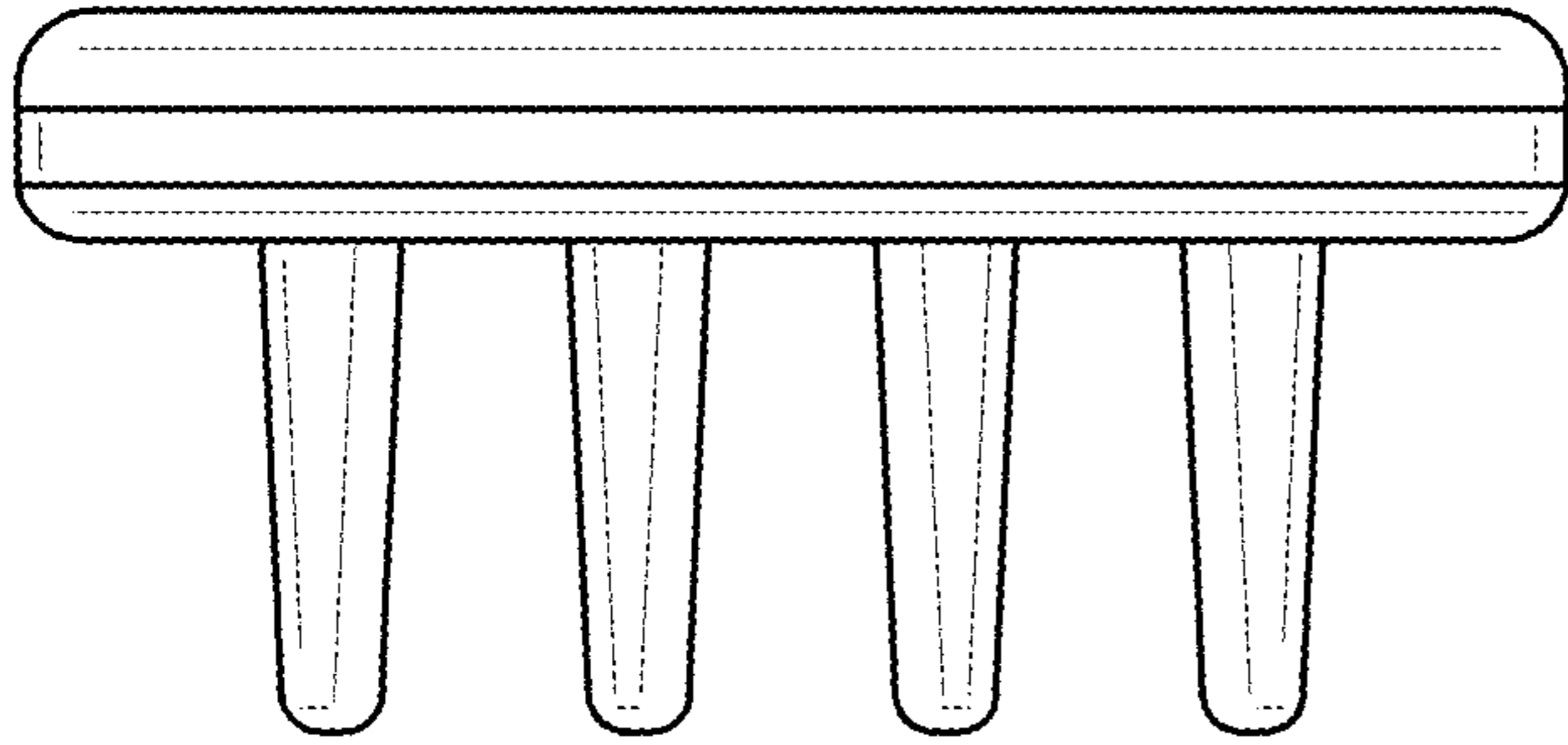


FIG. 6

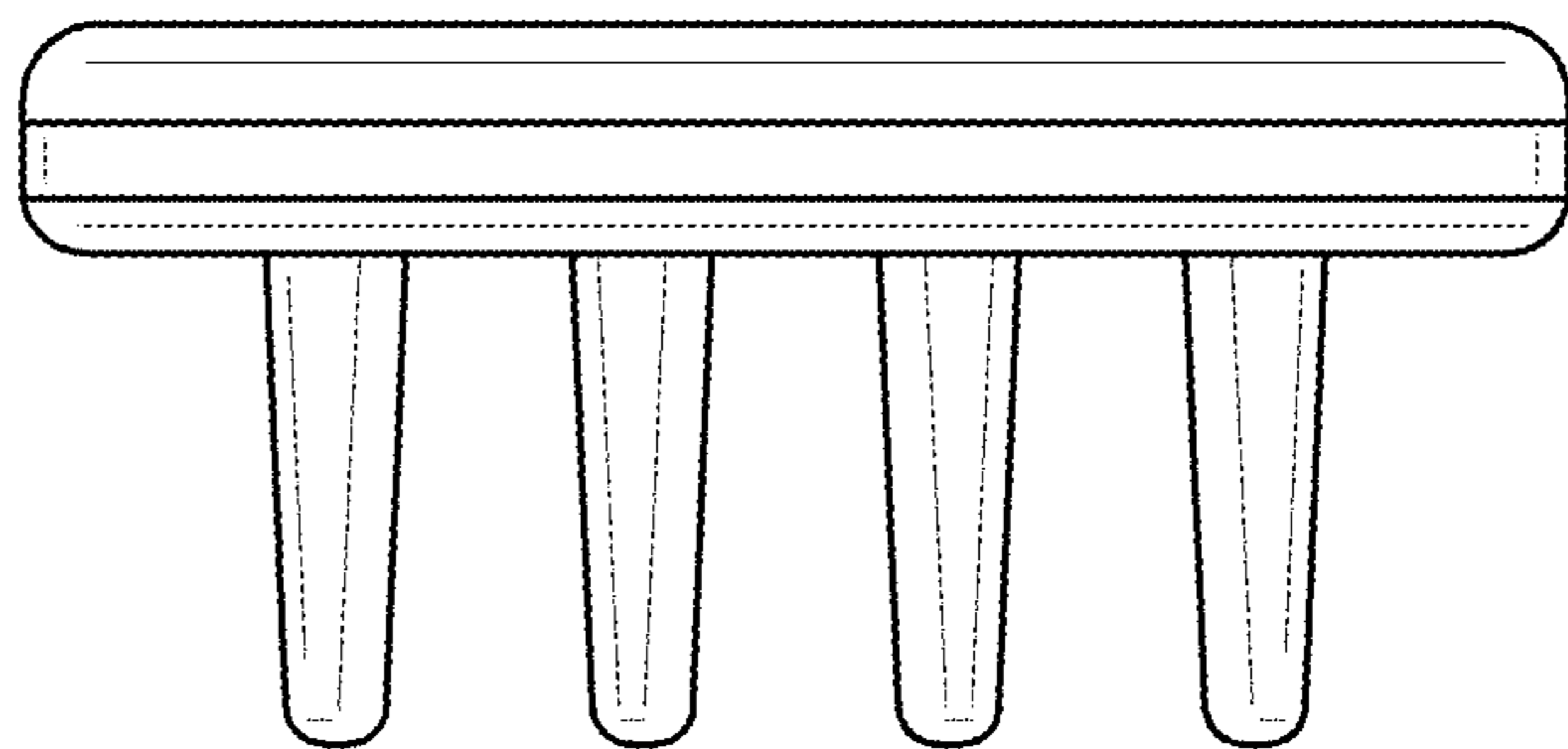


FIG. 7