



US00D983952S

(12) **United States Design Patent**
Huang

(10) **Patent No.:** **US D983,952 S**
(45) **Date of Patent:** **** Apr. 18, 2023**

(54) **DEHUMIDIFIER**

FOREIGN PATENT DOCUMENTS

(71) Applicant: **Shenzhen Wantener Technology Co., LTD**, Shenzhen (CN)

CN 303817782 * 8/2016
CN 304549976 * 3/2018
CN 307582239 * 10/2022

(72) Inventor: **Xiaozhou Huang**, Puning (CN)

(**) Term: **15 Years**

OTHER PUBLICATIONS

(21) Appl. No.: **29/859,396**

Baseaire 235 Pints Crawl Space Commercial Dehumidifier with Pump, first available Jun. 7, 2021 [online], [site visited Dec. 28, 2022]. Available from internet, URL:<<https://www.amazon.com/BASEAIRE-Commercial-Dehumidifier-AirWerx120X-Basements/dp/B096SGBQR9>> (Year: 2021).*

(22) Filed: **Nov. 10, 2022**

(Continued)

(30) **Foreign Application Priority Data**

Oct. 13, 2022 (CN) 202230672957.6

(51) **LOC (14) Cl.** **23-04**

(52) **U.S. Cl.**
USPC **D23/359**

(58) **Field of Classification Search**
USPC D23/332, 336, 351, 355-356, 359,
D23/364-366, 378, 499
CPC F24F 1/029; F24F 1/035; F24F 1/0287;
F24F 6/06; F24F 6/14; F24F 13/06; F24F
13/20; F24F 13/222; F24F 3/16; F24F
3/1405
See application file for complete search history.

Primary Examiner — David G Muller

Assistant Examiner — Jamaal Rasheed

(74) *Attorney, Agent, or Firm* — Runit Ranjit Kanakia

(57) **CLAIM**

The ornamental design for a dehumidifier, as shown and described.

DESCRIPTION

FIG. 1 is a first perspective view of a dehumidifier showing my new design;

FIG. 2 is a second perspective view thereof;

FIG. 3 is a front view thereof;

FIG. 4 is a back view thereof;

FIG. 5 is a left side view thereof;

FIG. 6 is a right side view thereof;

FIG. 7 is a top view thereof;

FIG. 8 is a bottom view thereof; and,

FIG. 9 is an enlarged view of the selected portion 9 in FIG. 1.

The dashed broken lines in the drawings depict portions of the dehumidifier that form no part of the claimed design. The dash dot dash lines showing the enlargements in FIGS. 1 and 9 form no part of the claimed design.

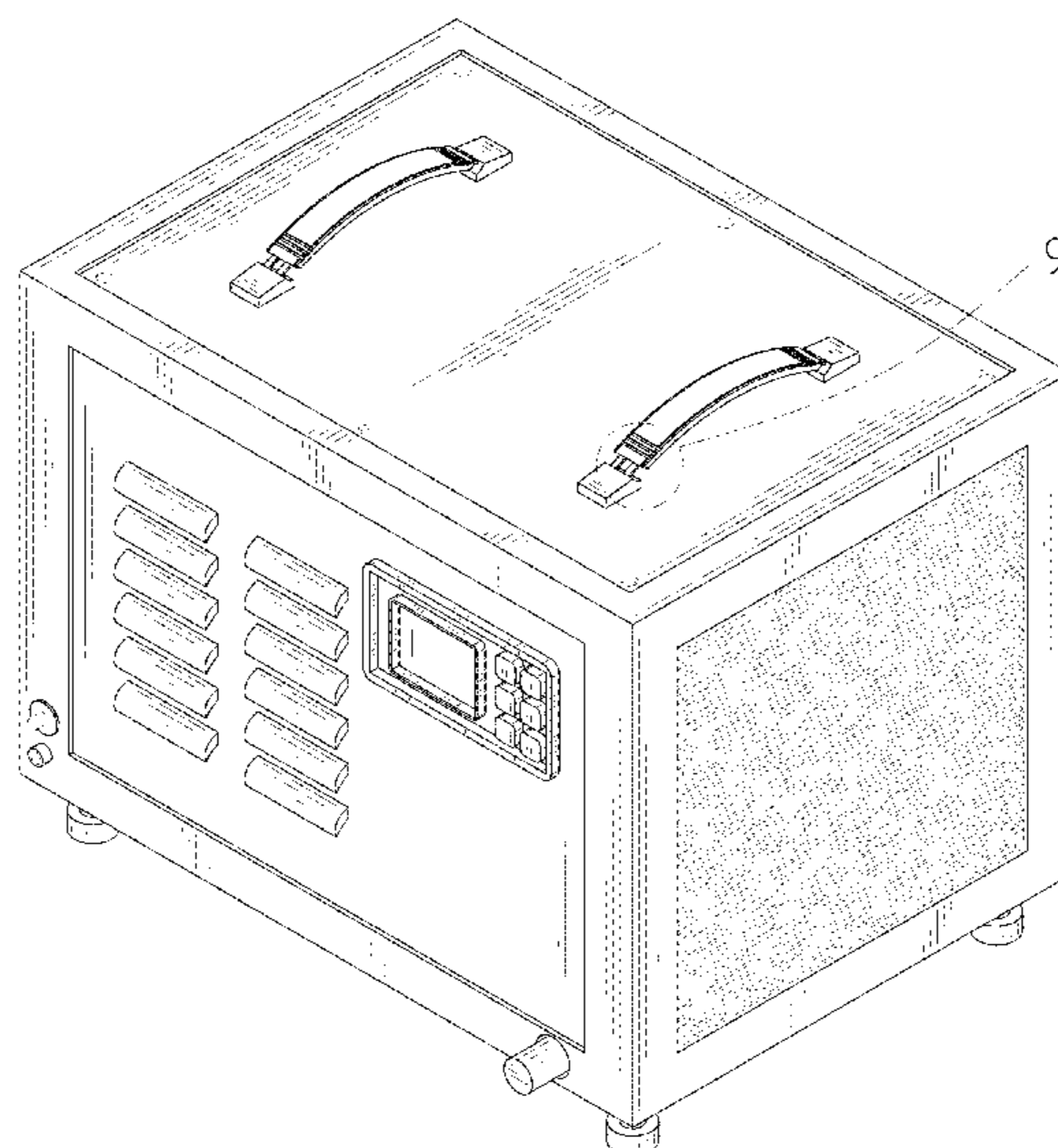
(56) **References Cited**

U.S. PATENT DOCUMENTS

4,253,852 A * 3/1981 Adams B03C 3/60
361/230
4,261,712 A * 4/1981 Kinkade B03C 3/66
363/142
D311,270 S * 10/1990 Savage D23/365
D315,596 S * 3/1991 Botheras D23/332
D691,250 S * 10/2013 Chan D23/332
D860,422 S * 9/2019 Zhou D23/351
D884,861 S * 5/2020 Seymour D23/359
D884,864 S * 5/2020 Sun D23/364
D887,982 S * 6/2020 Schmidt D13/122
D890,897 S * 7/2020 Ueda D23/355

(Continued)

1 Claim, 9 Drawing Sheets



(56)

References Cited

U.S. PATENT DOCUMENTS

D893,692 S * 8/2020 Jakpor D23/355
D918,367 S 5/2021 Li
D935,006 S 11/2021 Huang
D936,197 S 11/2021 Wang
D958,316 S * 7/2022 Wu D23/366
D962,084 S * 8/2022 Furukawa D10/49
D962,085 S * 8/2022 Furukawa D10/49
D970,708 S * 11/2022 Xu D23/364
D970,709 S * 11/2022 Xu D23/364
D972,104 S * 12/2022 Wu D23/366

OTHER PUBLICATIONS

Abestorm Crawl Space Dehumidifier, first available Dec. 8, 2021
[online], [site visited Dec. 28, 2022]. Available from internet,
URL:<<https://www.amazon.com/dp/B09N94M2M8>> (Year: 2021).*

* cited by examiner

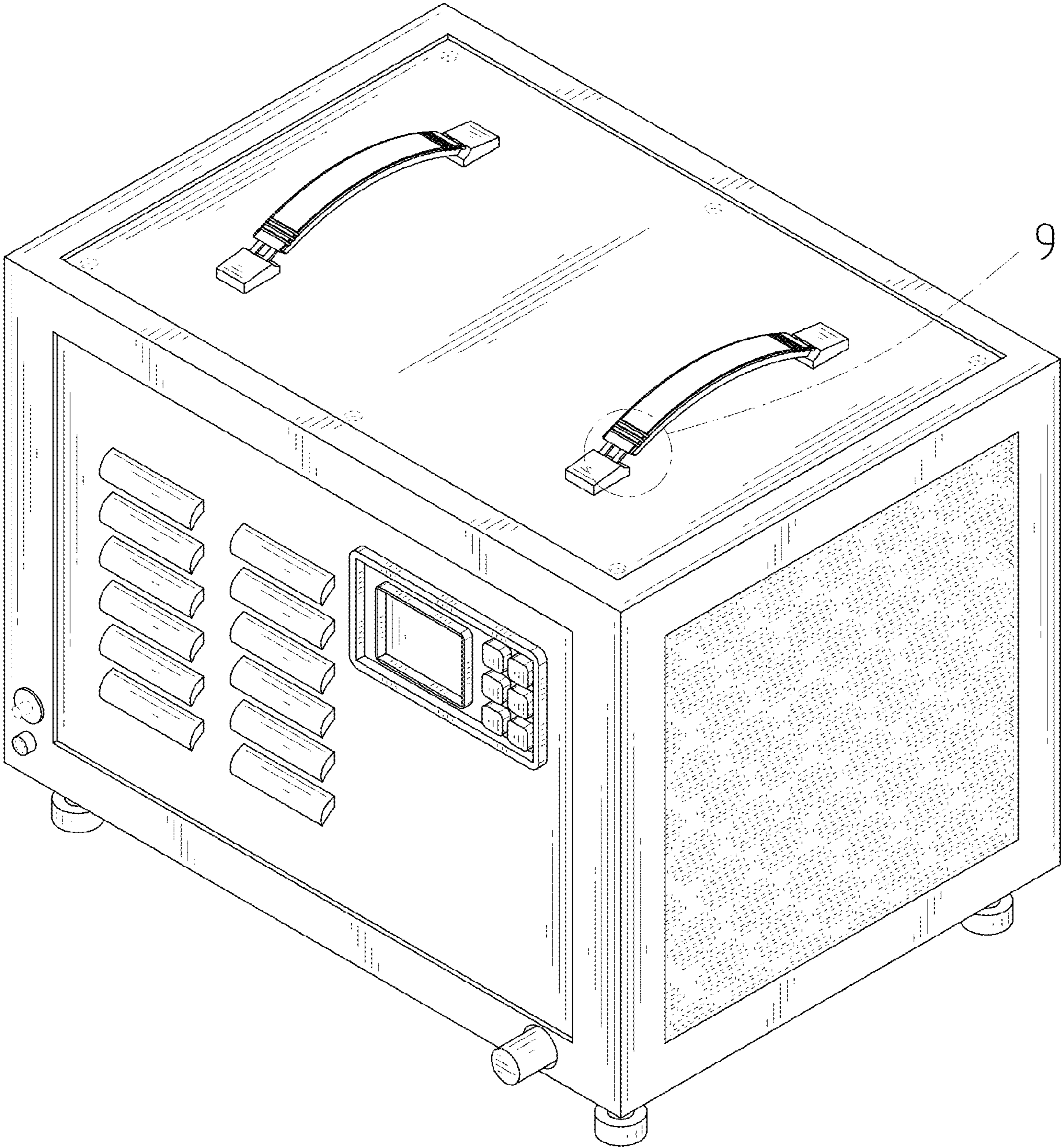


FIG. 1

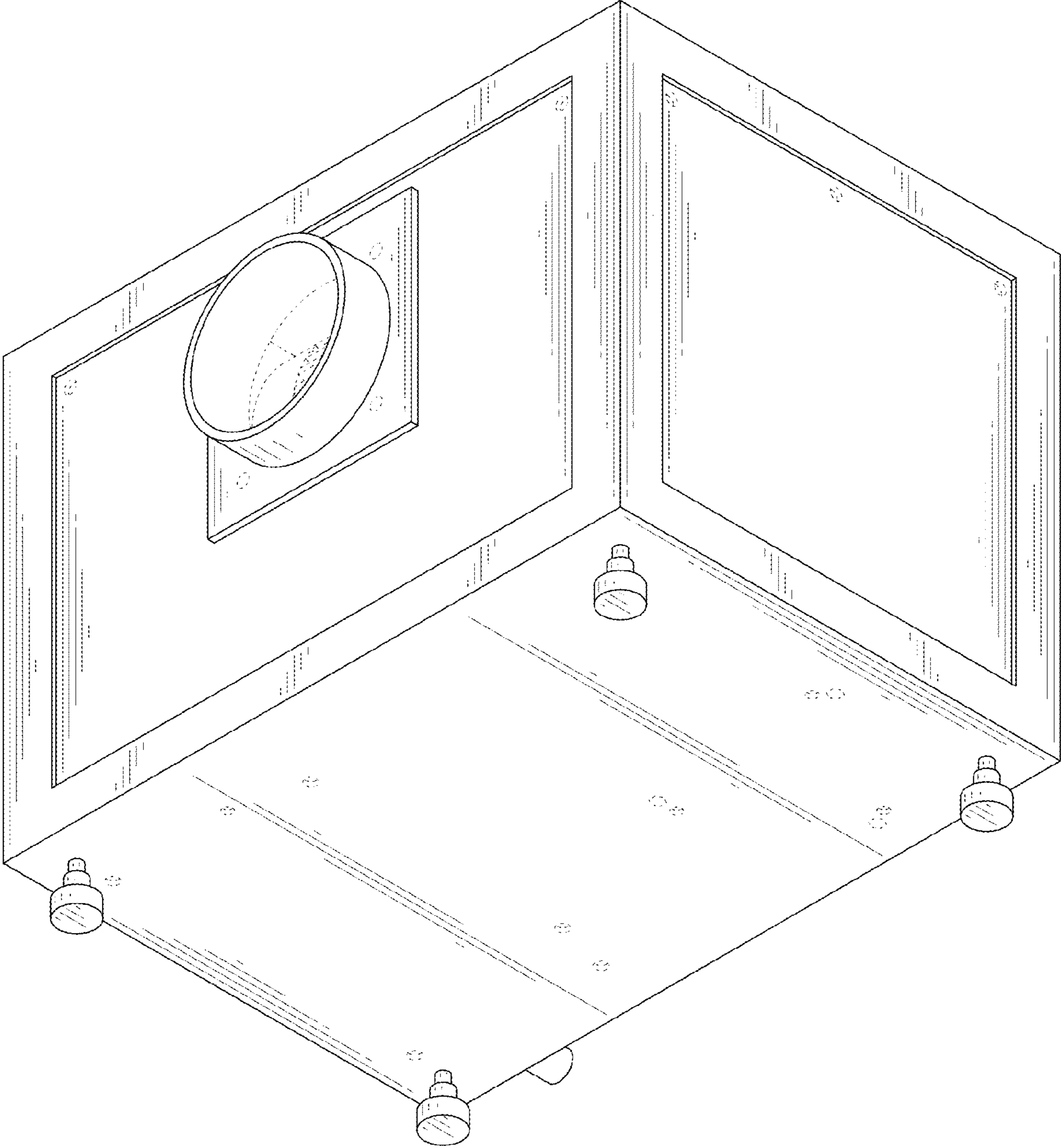


FIG. 2

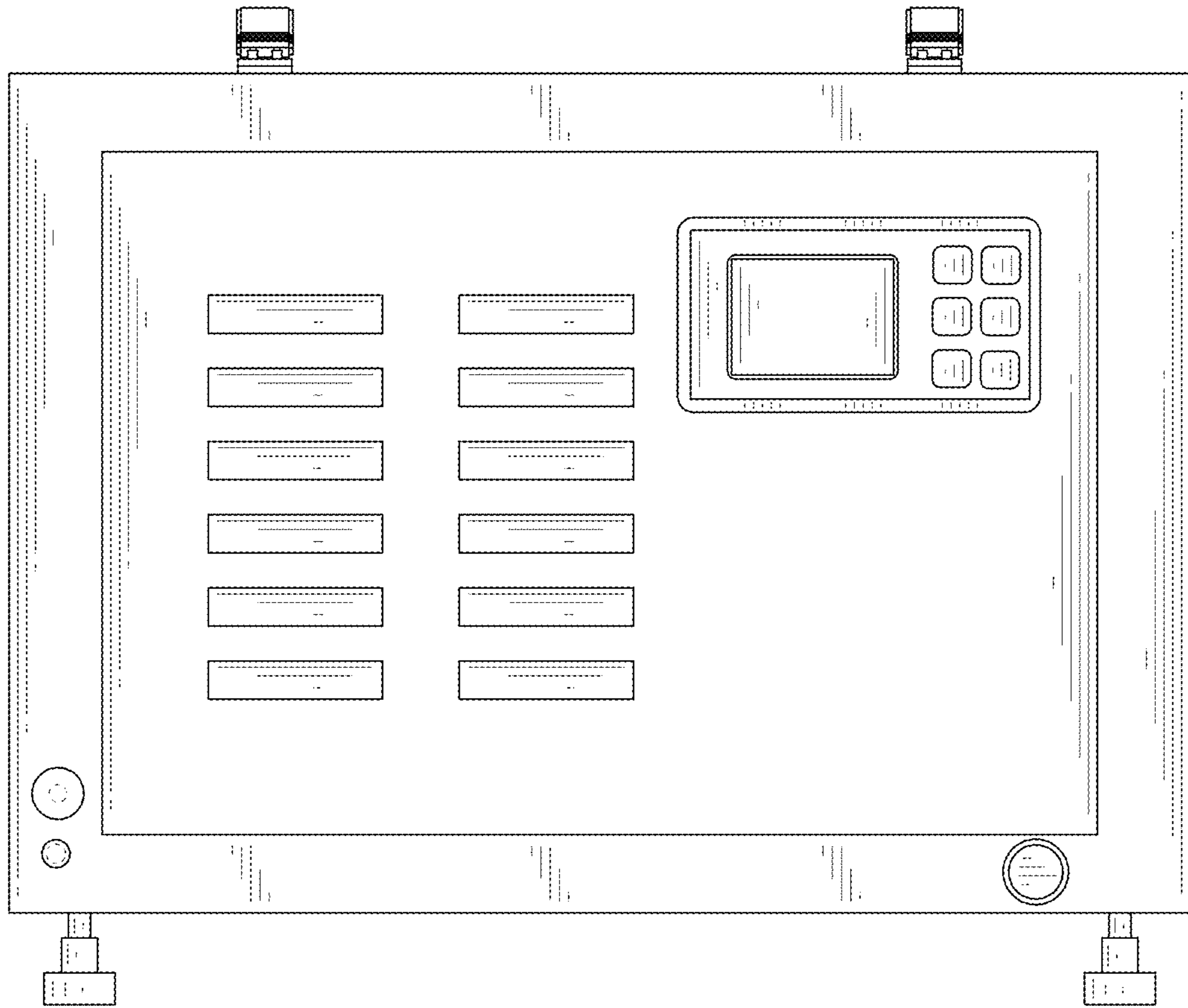


FIG. 3

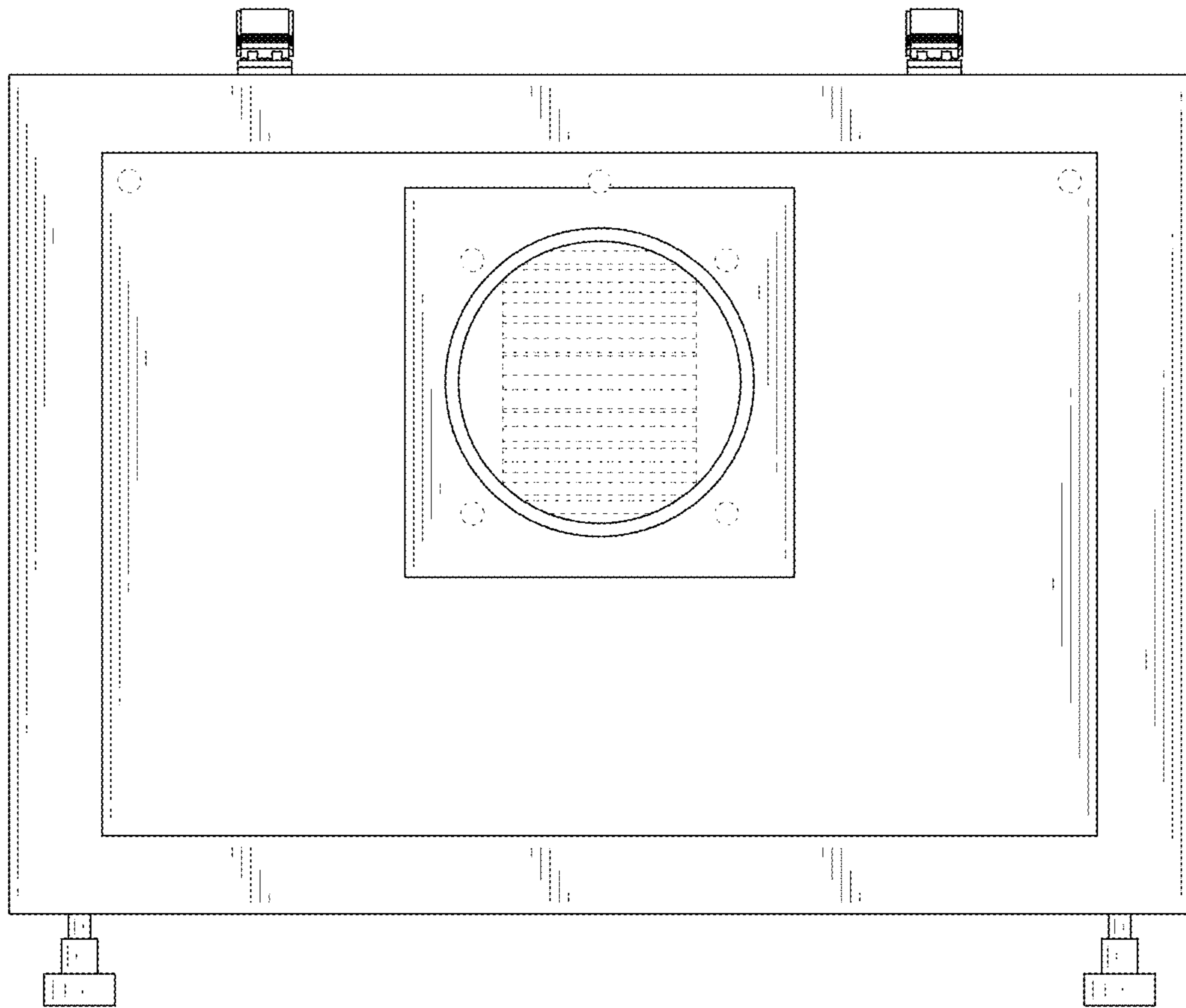


FIG. 4

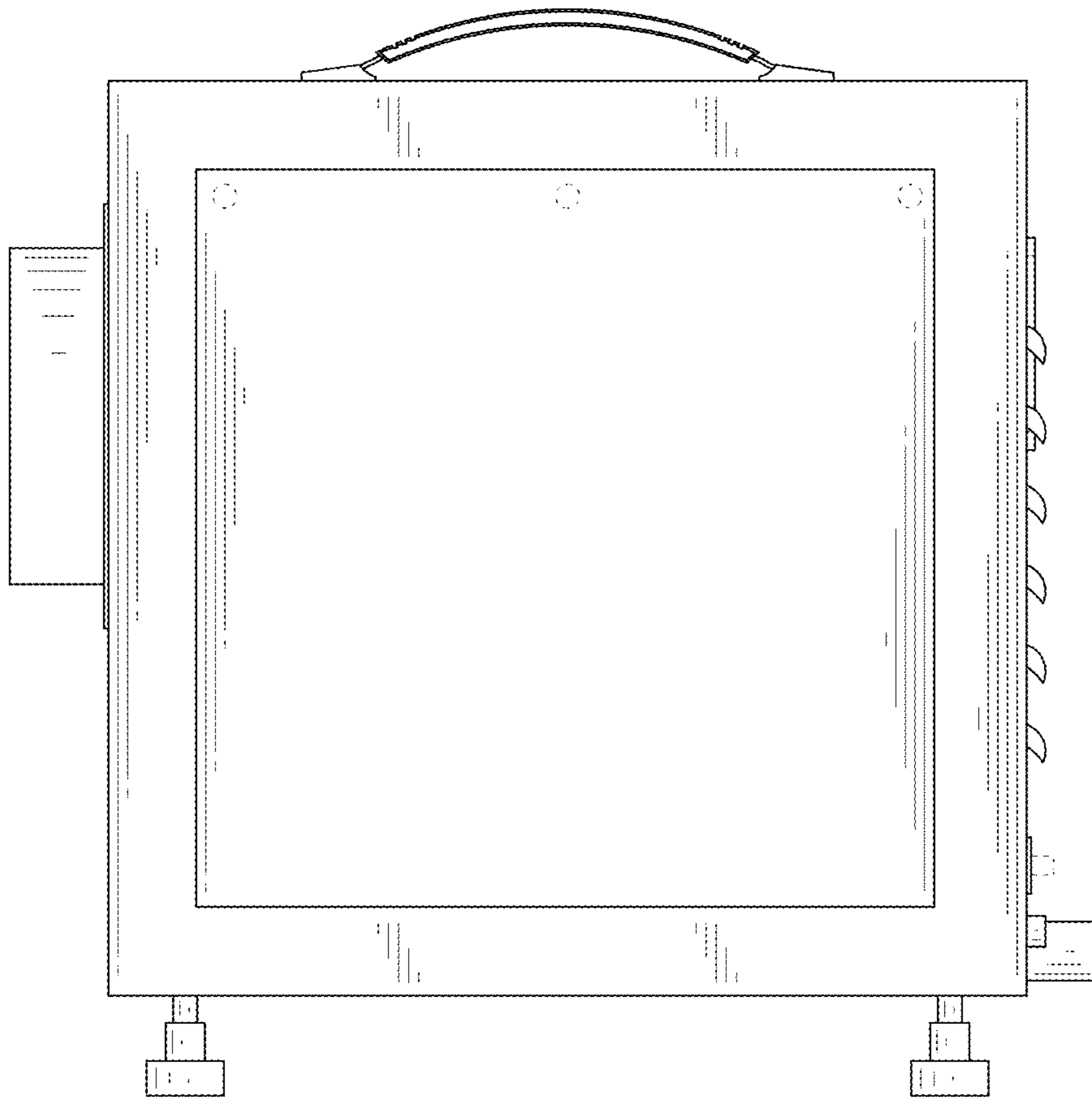


FIG. 5

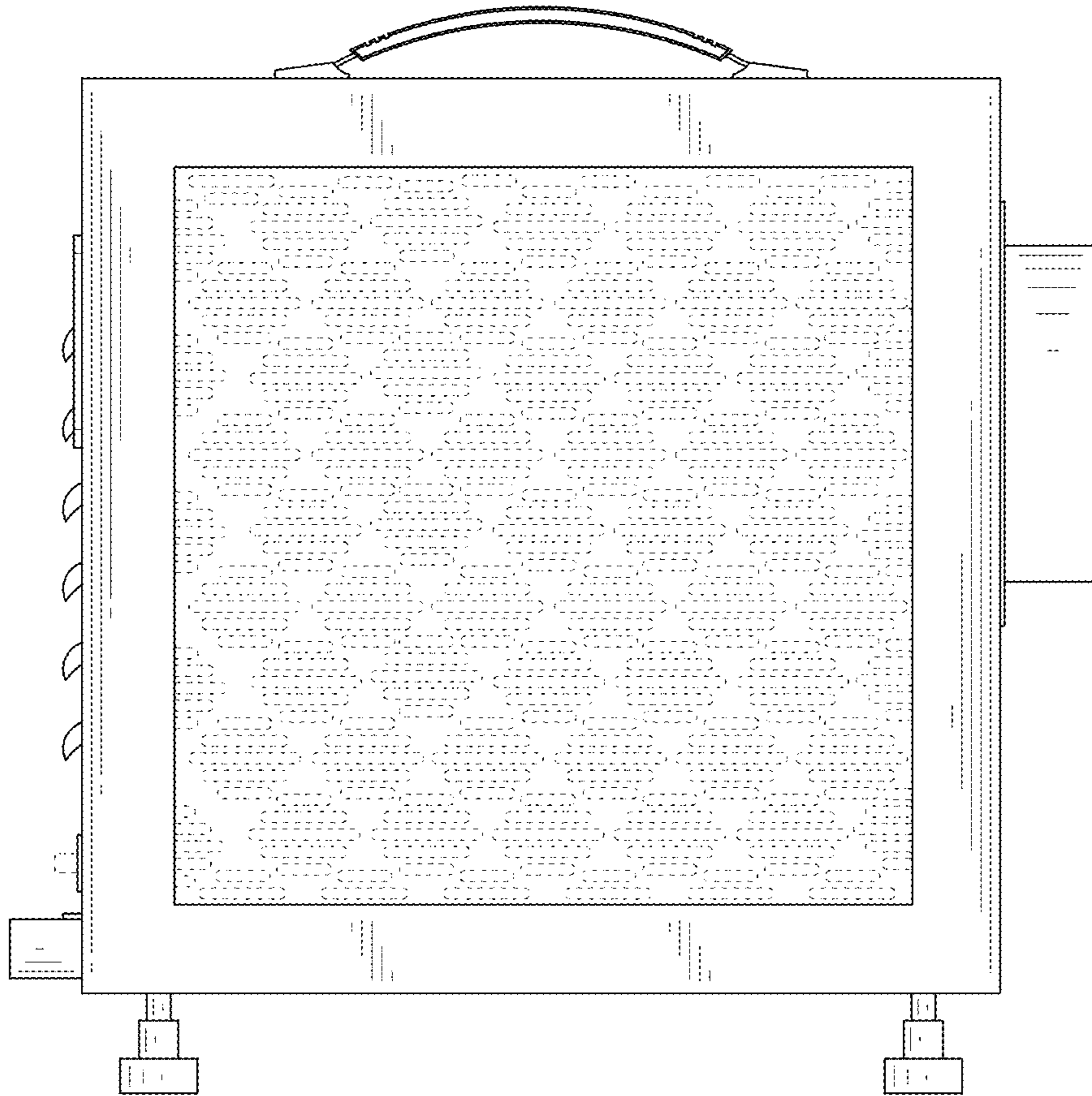


FIG. 6

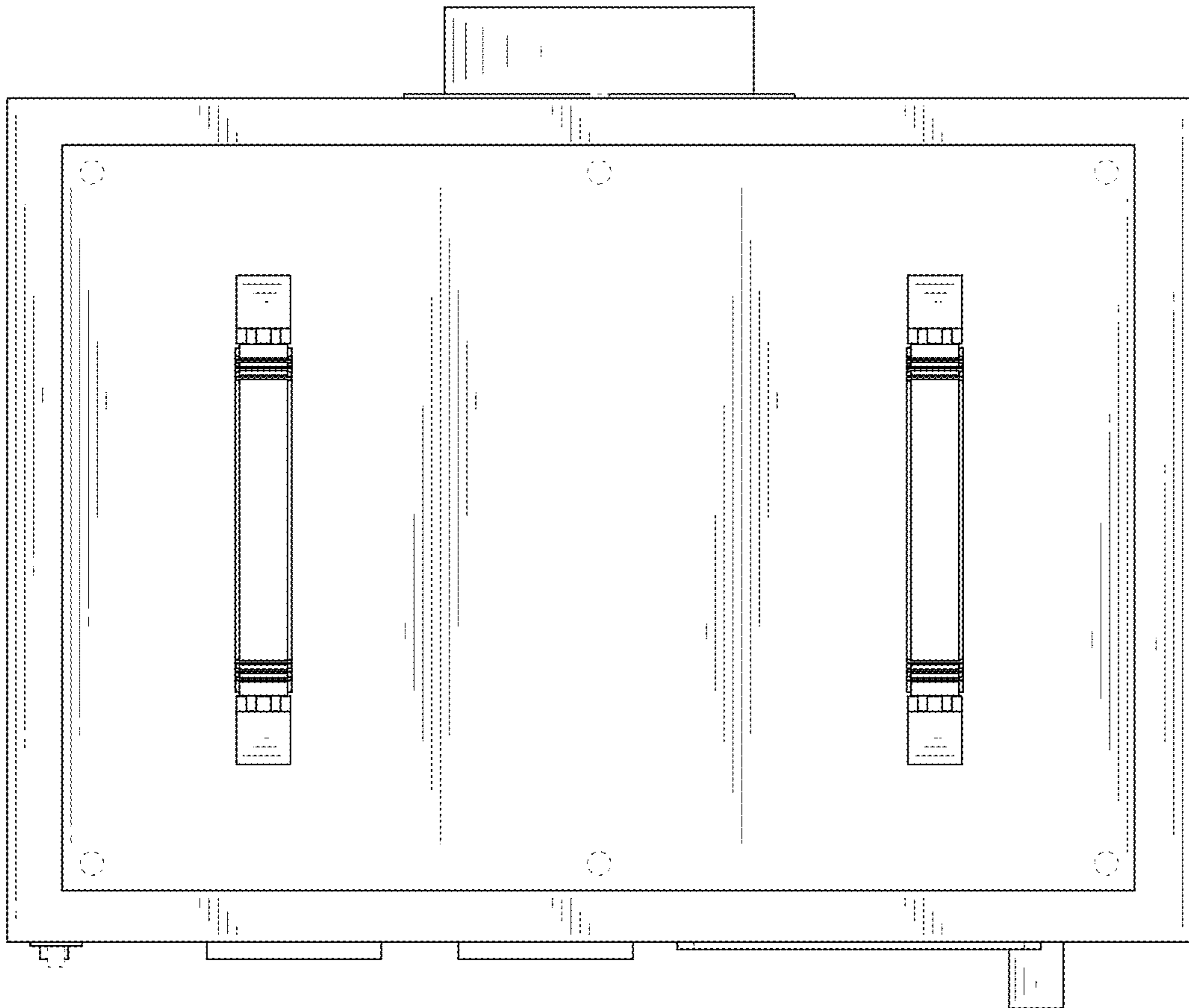


FIG. 7

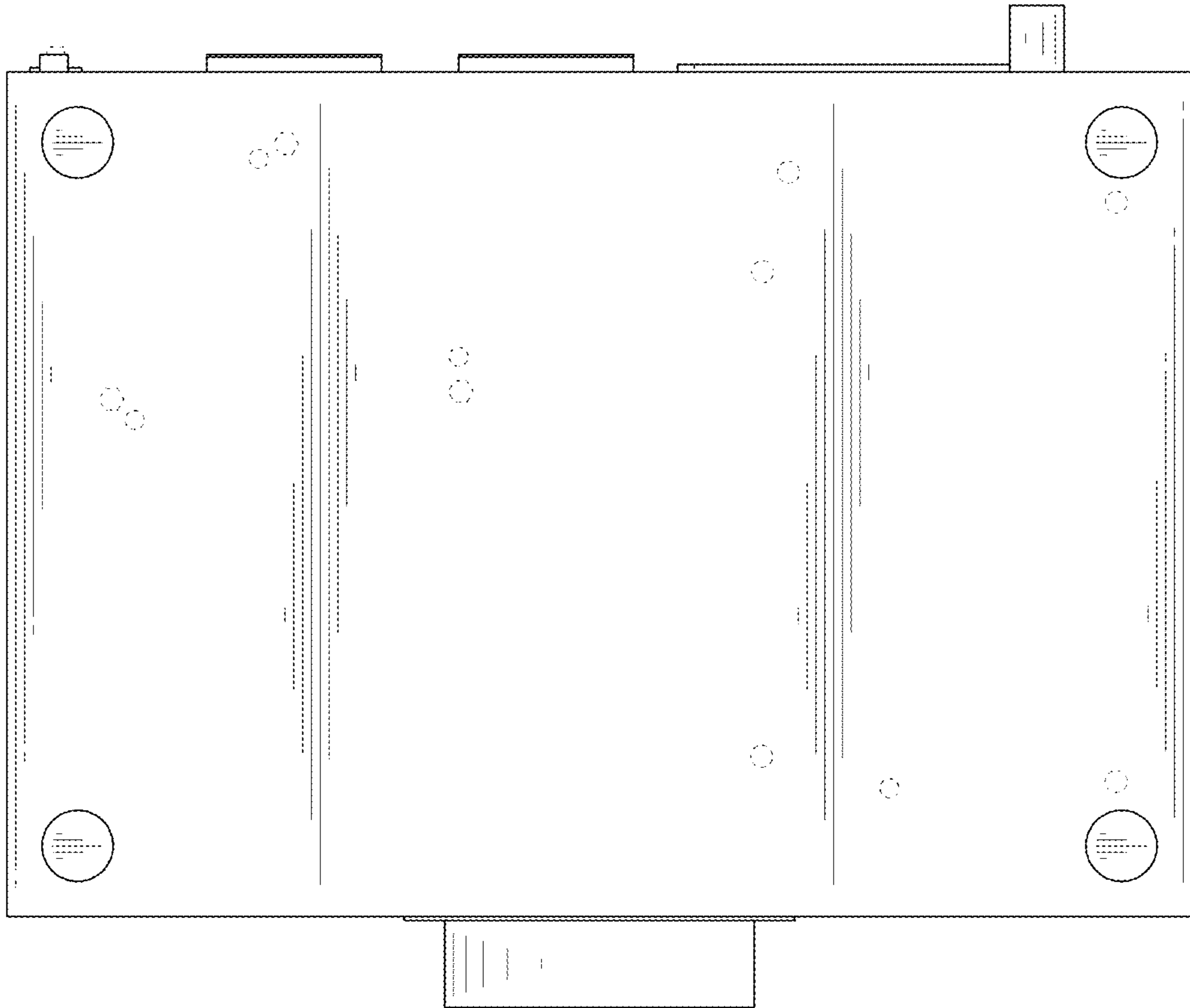


FIG. 8

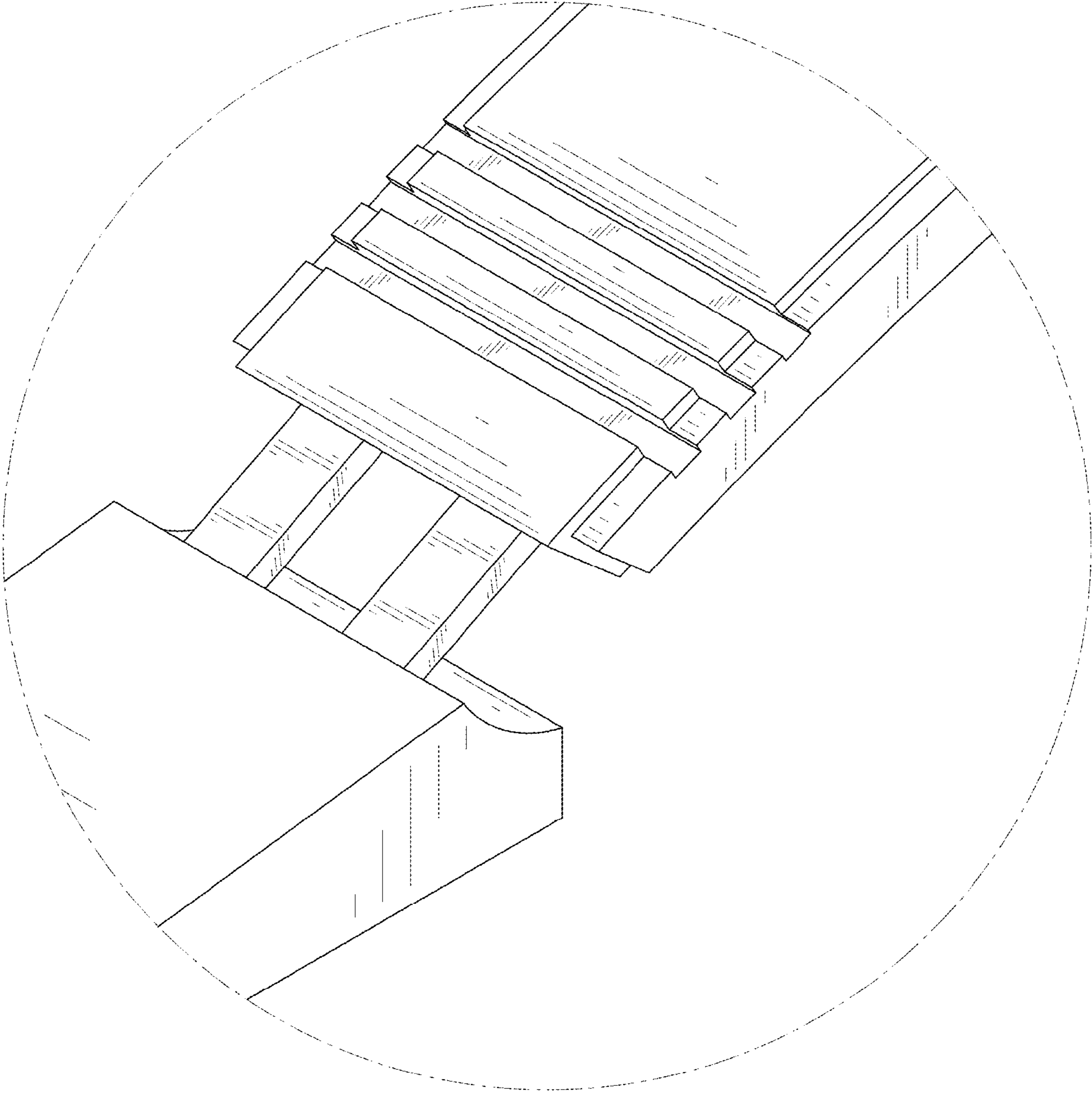


FIG. 9