



US00D983949S

(12) **United States Design Patent**  
**Cuellar**

(10) **Patent No.:** **US D983,949 S**

(45) **Date of Patent:** **\*\* Apr. 18, 2023**

(54) **CHIMINEA**  
(71) Applicant: **Gilbert Gregory Cuellar**, San Antonio,  
TX (US)  
(72) Inventor: **Gilbert Gregory Cuellar**, San Antonio,  
TX (US)  
(\*\*) Term: **15 Years**

4,138,987 A \* 2/1979 Fromman ..... F24B 1/18  
126/307 R  
4,167,177 A \* 9/1979 Wiggins ..... F24B 1/181  
D23/343  
4,194,494 A \* 3/1980 Wagner ..... F24B 1/191  
138/104  
D469,861 S \* 2/2003 Garafolo ..... D23/348  
D664,245 S \* 7/2012 Otero ..... D23/343  
D825,727 S \* 8/2018 Hunter, III ..... D23/348  
D825,728 S \* 8/2018 Hunter, III ..... D23/348  
D858,730 S \* 9/2019 Hunter, III ..... D23/348  
2006/0225723 A1\* 10/2006 Yu ..... F24B 1/182  
126/25 R  
2018/0347819 A1\* 12/2018 Hunter, III ..... F24B 1/195

(21) Appl. No.: **29/788,916**

(22) Filed: **Aug. 13, 2021**

(51) **LOC (14) Cl.** ..... **23-03**

(52) **U.S. Cl.**  
USPC ..... **D23/332; D23/343**

(58) **Field of Classification Search**  
USPC ..... D23/332, 314, 343, 348, 350, 346, 342,  
D23/338, 335, 336, 337, 339, 340, 349;  
D7/332-337, 402-405, 352  
CPC ..... F24C 1/16; F24C 5/00; F24C 3/14; A47J  
33/00; A47J 37/0763; A47J 37/07; F24B  
1/18; F24B 1/182; F24B 1/1808; F24B  
1/181; F24B 1/195; F24B 1/191  
See application file for complete search history.

**FOREIGN PATENT DOCUMENTS**

WO D074513-001 \* 10/2010

\* cited by examiner

*Primary Examiner* — Ania Aman

(74) *Attorney, Agent, or Firm* — Dunlap Bennett &  
Ludwig, PLLC; Anna L. Kinney

(57) **CLAIM**

The ornamental design for a chiminea, as shown and  
described.

(56) **References Cited**

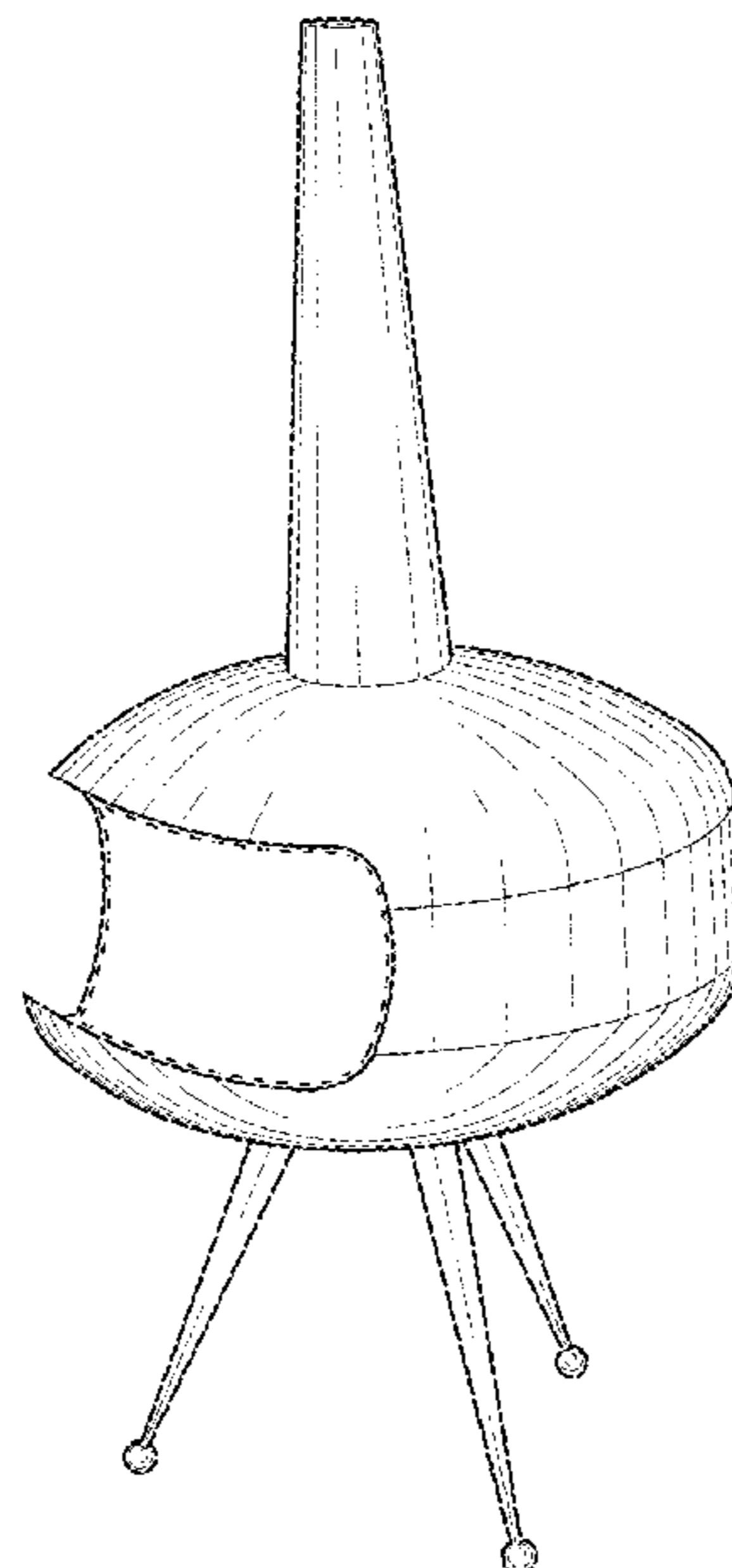
**U.S. PATENT DOCUMENTS**

2,725,872 A \* 12/1955 Richards ..... F24B 1/181  
D23/343  
D178,875 S \* 10/1956 Faust ..... D23/348  
D196,217 S \* 9/1963 Yager ..... D23/348  
D203,909 S \* 2/1966 Jonas ..... D23/348  
D210,375 S \* 3/1968 Volk ..... D23/348  
D212,268 S \* 9/1968 Williams ..... D7/332  
D214,297 S \* 5/1969 Ihde ..... D23/350  
D220,072 S \* 3/1971 Hoff ..... D7/332  
D237,083 S \* 10/1975 Chase ..... D23/348  
D243,092 S \* 1/1977 Sheth ..... D23/348  
D250,596 S \* 12/1978 Jonas ..... D23/348

**DESCRIPTION**

FIG. 1 is a perspective view of a chiminea showing my new  
design;  
FIG. 2 is a front elevation view thereof;  
FIG. 3 is a rear elevation view thereof;  
FIG. 4 is a left side elevation view thereof;  
FIG. 5 is a right side elevation view thereof;  
FIG. 6 is a top plan view thereof; and,  
FIG. 7 is a bottom plan view thereof.  
The broken lines shown in the drawings depict portions of  
the article that form no part of the claimed design.

**1 Claim, 4 Drawing Sheets**



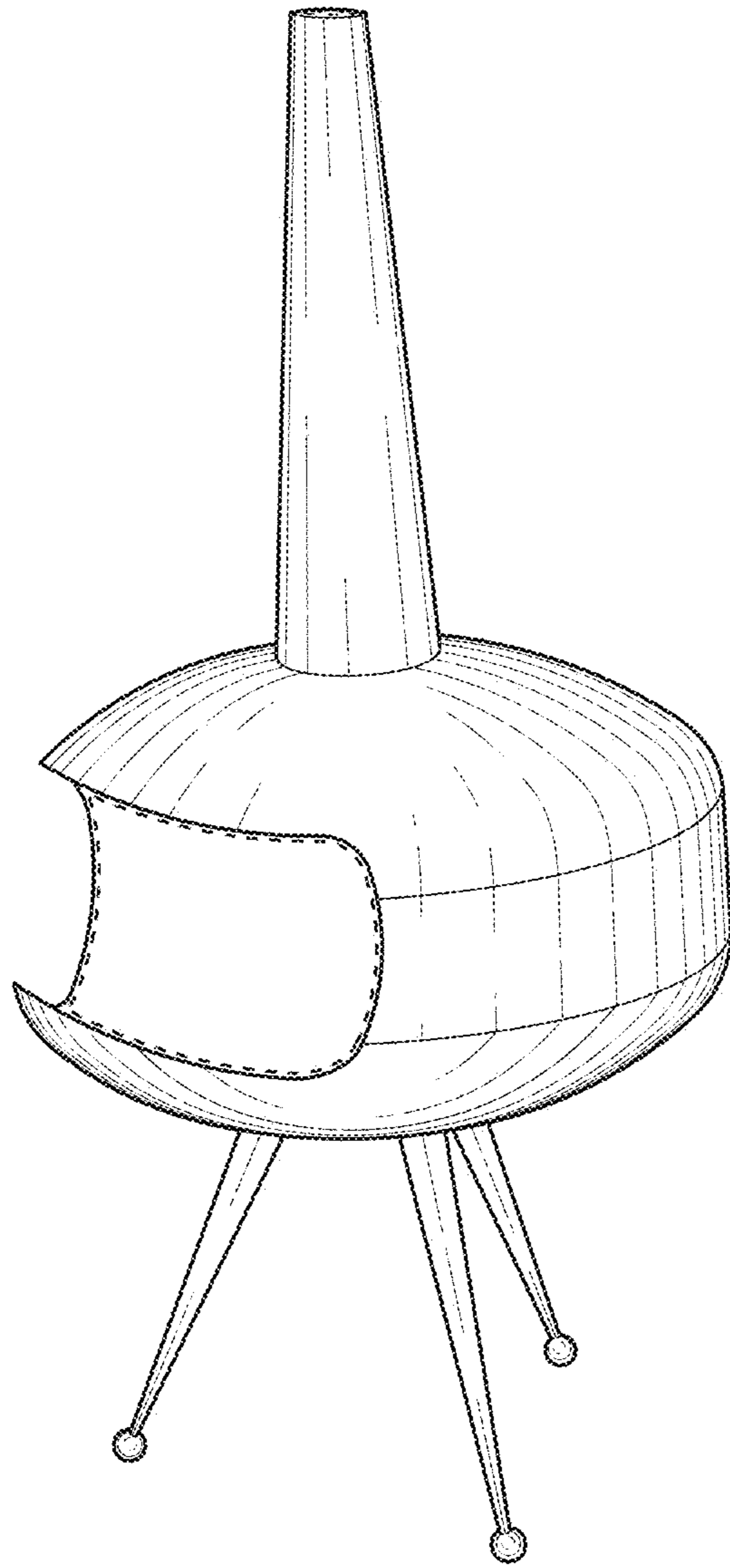


FIG. 1

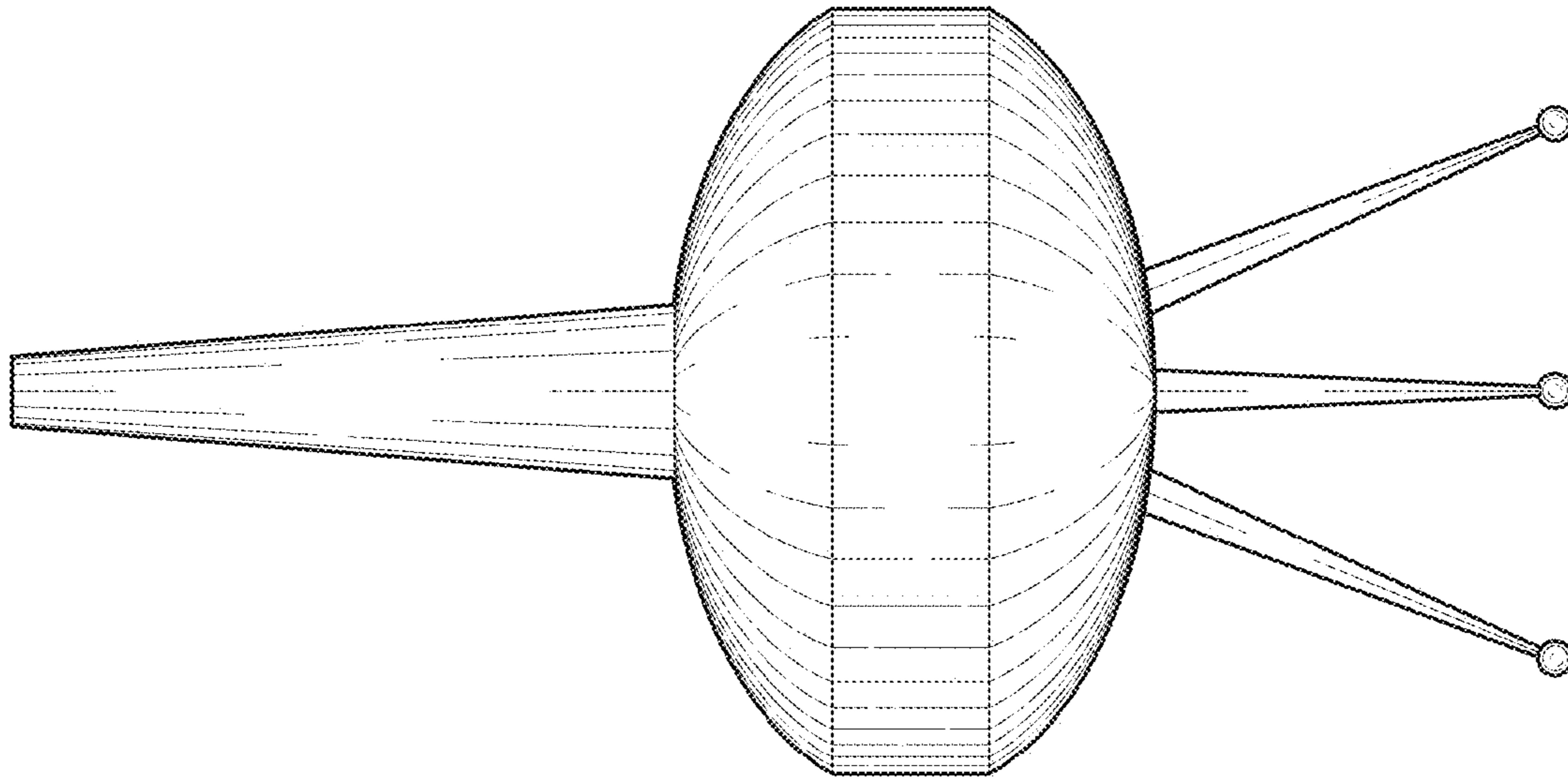


FIG. 3

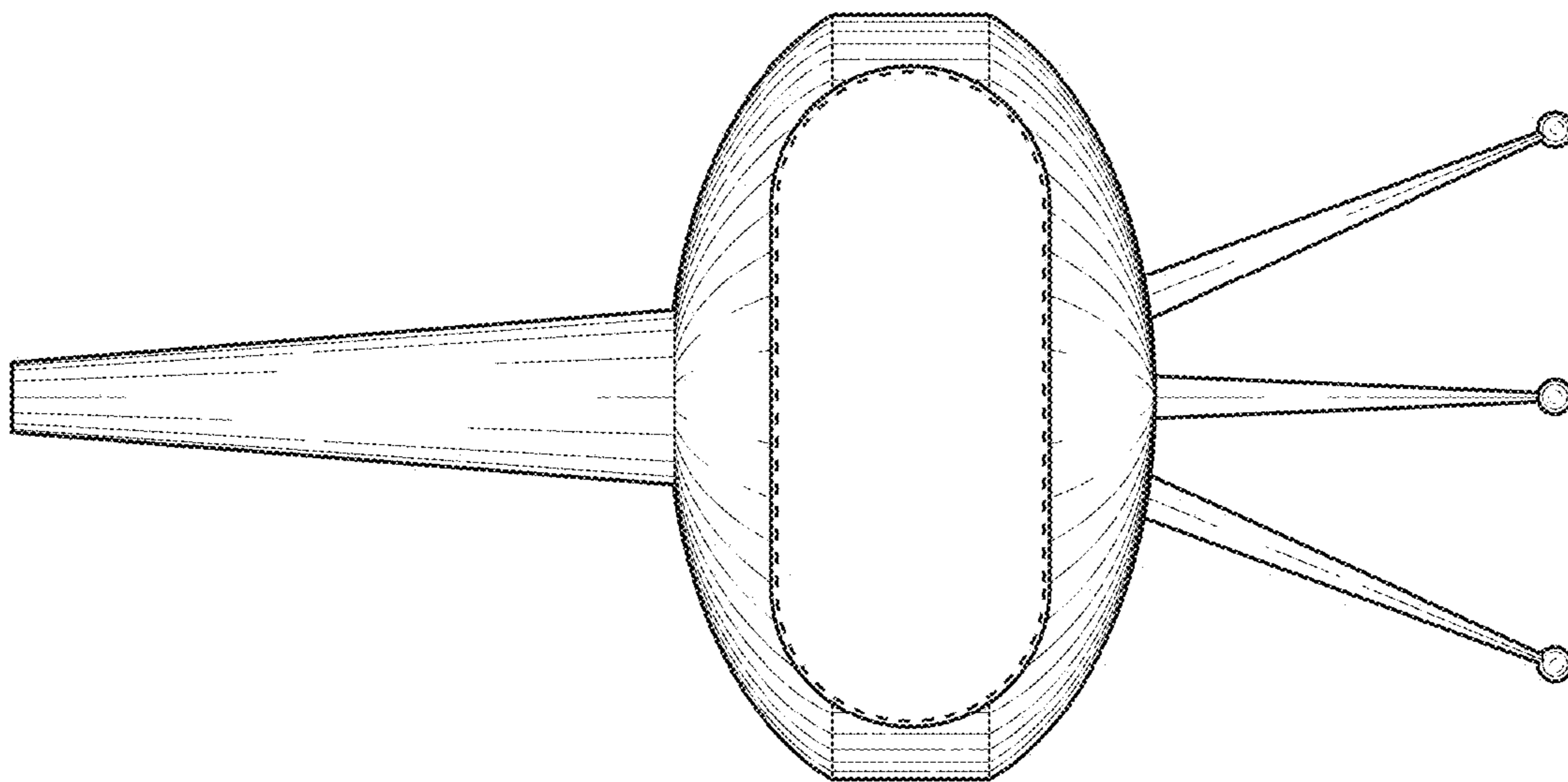


FIG. 2

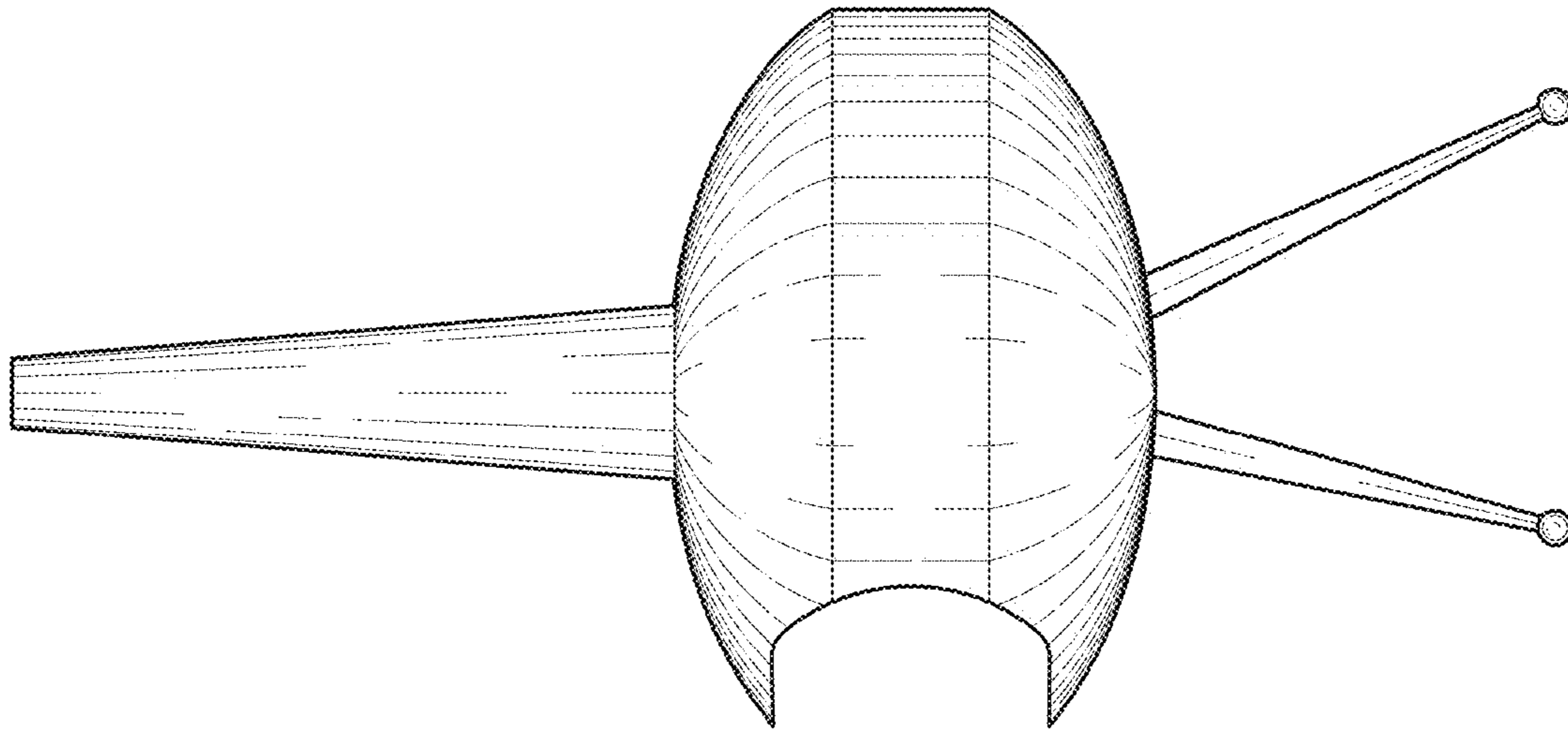


FIG. 5

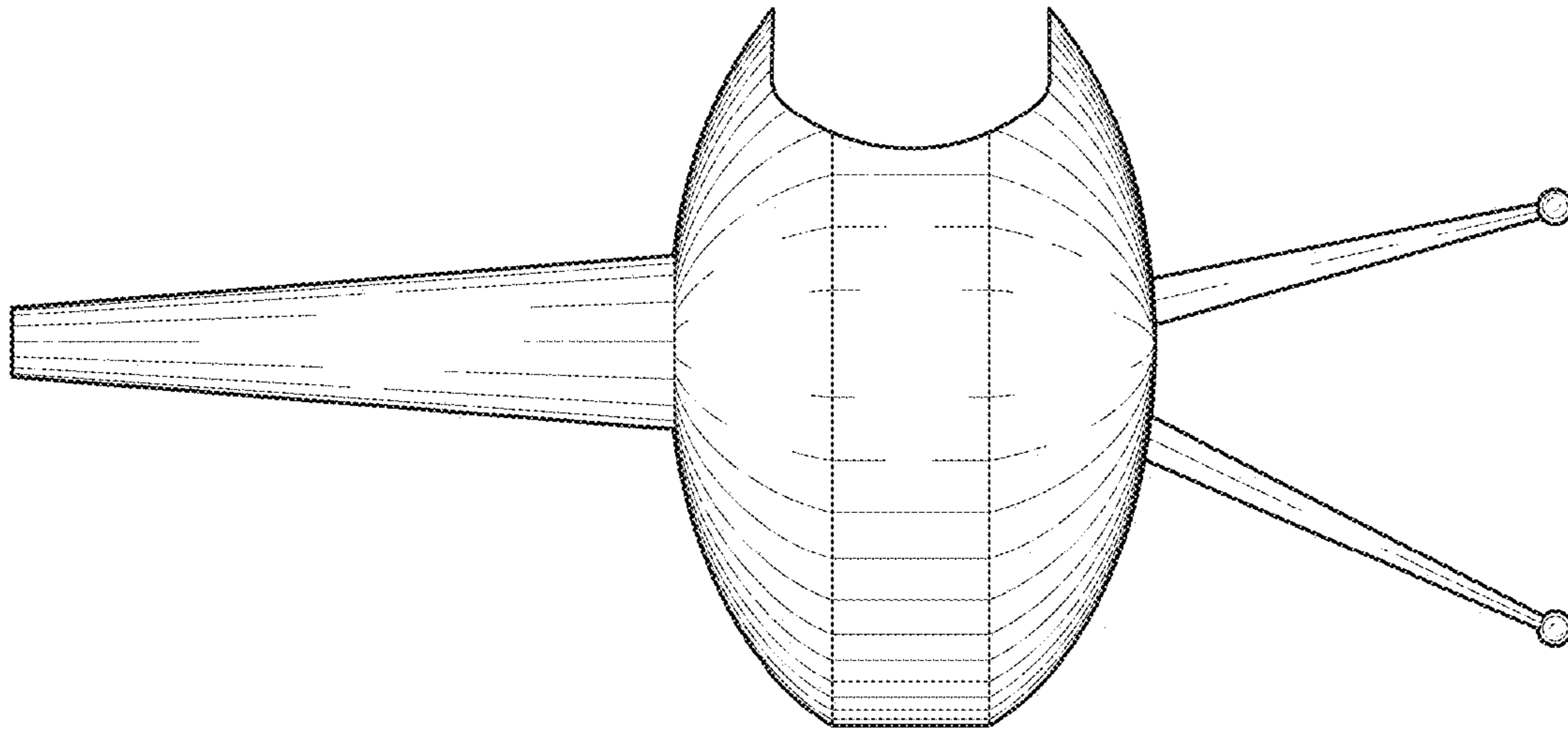
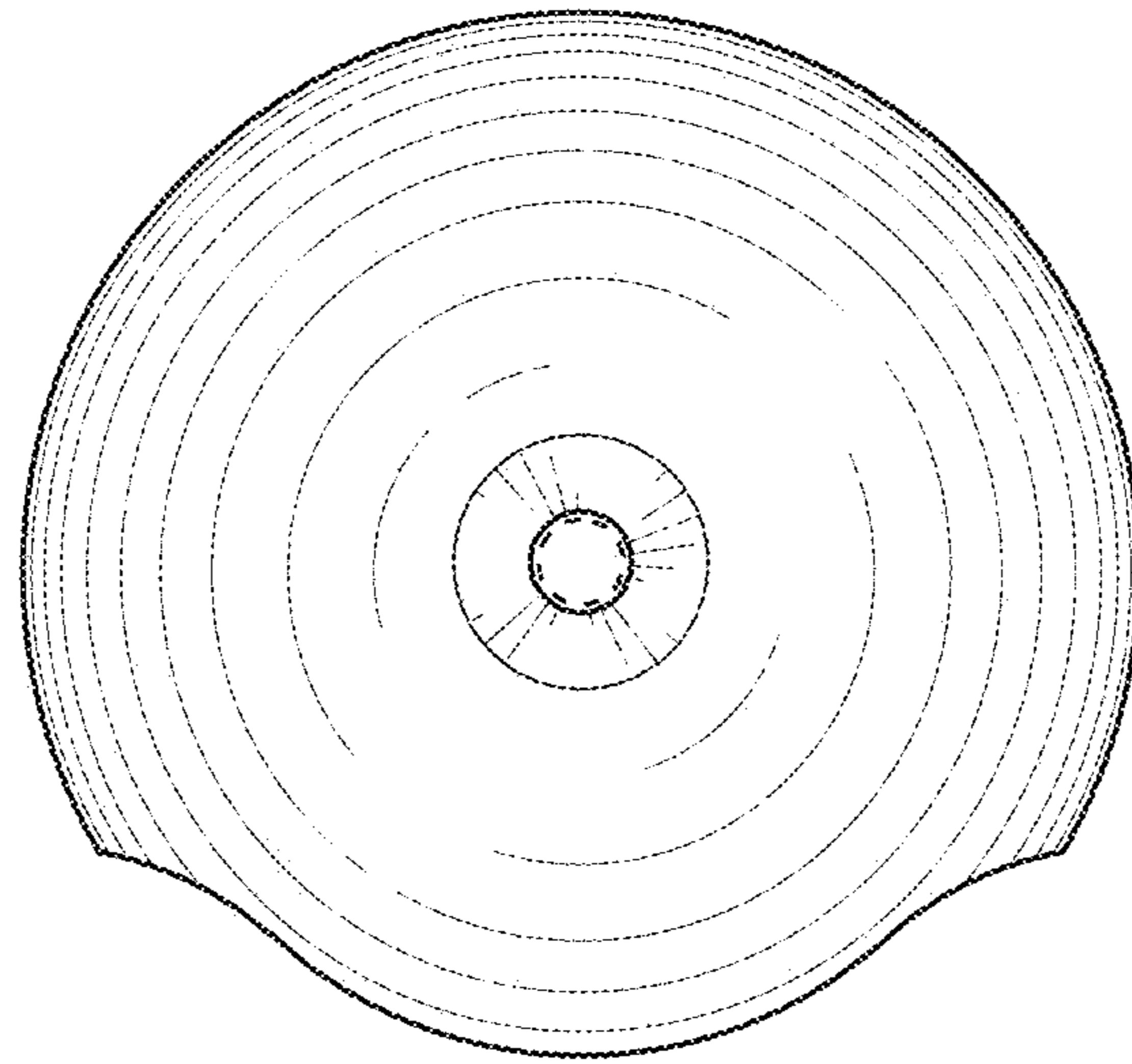
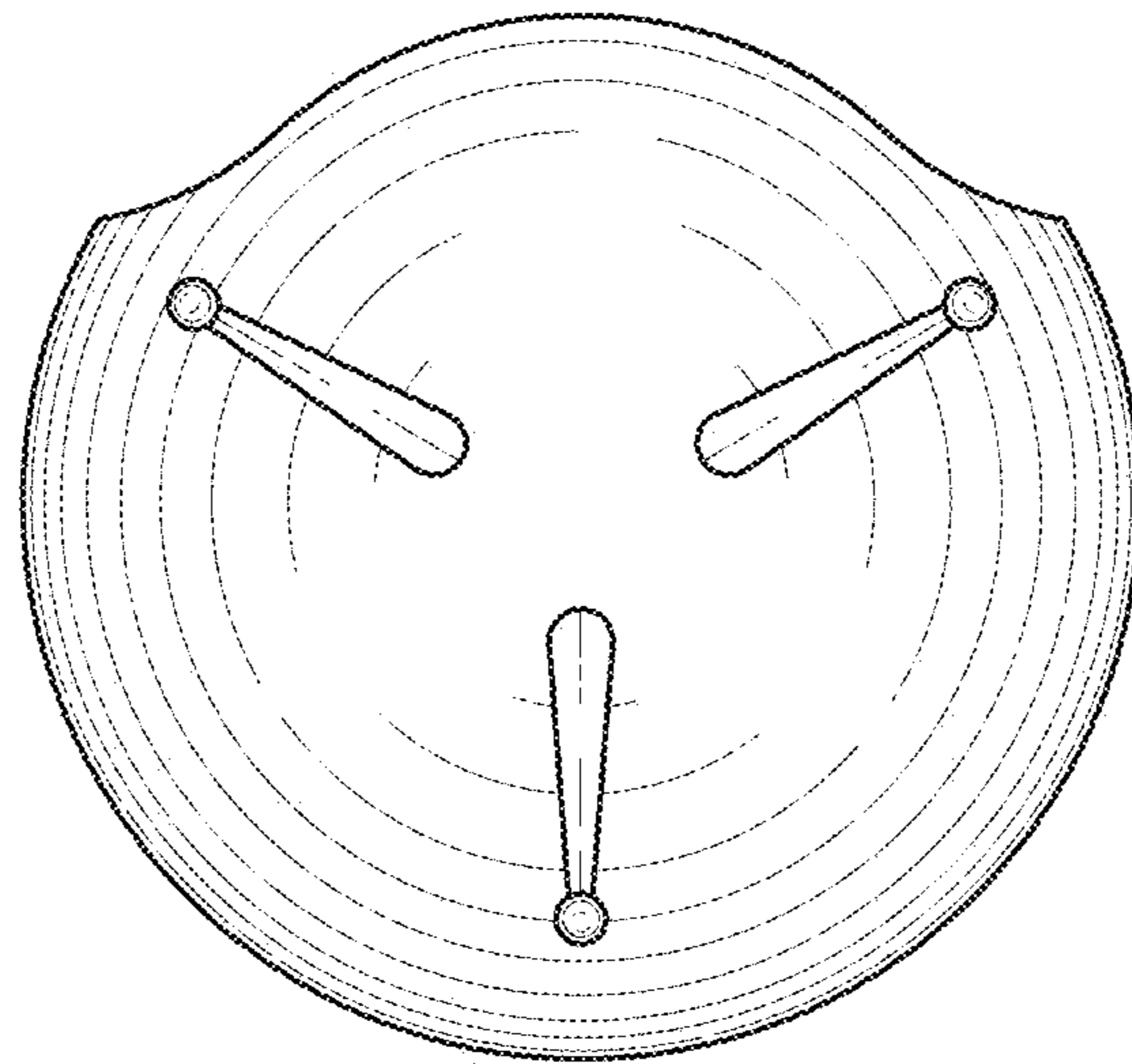


FIG. 4





**FIG. 6**



**FIG. 7**