



US00D983948S

(12) **United States Design Patent** (10) **Patent No.:** **US D983,948 S**
Jo et al. (45) **Date of Patent:** **** Apr. 18, 2023**

(54) **BIDET**
(71) Applicant: **INUS Co., Ltd.**, Asan-si (KR)
(72) Inventors: **Young Seok Jo**, Gwacheon-si (KR);
Dal Won Yi, Goyang-si (KR)

D944,950 S * 3/2022 Park D23/311
D944,952 S * 3/2022 Cheng D23/311
D952,109 S * 5/2022 Sun D23/311
D955,536 S * 6/2022 Cheng D23/311
2010/0306909 A1* 12/2010 Chen A47K 13/26
4/236

(Continued)

(73) Assignee: **INUS Co., Ltd.**, Asan-si (KR)
(**) Term: **15 Years**

FOREIGN PATENT DOCUMENTS

CN 304801568 * 9/2018
KR 300894902.0000 * 2/2017
TW 118006-0001 * 7/2007

(21) Appl. No.: **29/802,266**
(22) Filed: **Aug. 4, 2021**

OTHER PUBLICATIONS

(30) **Foreign Application Priority Data**
Jun. 28, 2021 (KR) 30-2021-0030740

GenieBidet Electric Heated Bidet, announced Jan. 7, 2020[online],
[site visited Oct. 12, 2022]. Available from internet, URL:<https://
www.amazon.com/dp/B083KPPLFG> (Year: 2020).*

(Continued)

(51) **LOC (14) Cl.** **23-07**
(52) **U.S. Cl.**
USPC **D23/311**
(58) **Field of Classification Search**
USPC D23/295, 303, 309-311
CPC B05B 9/03; B05B 15/55; E03D 9/005;
E03D 9/08
See application file for complete search history.

Primary Examiner — David G Muller
Assistant Examiner — Jamaal Rasheed
(74) *Attorney, Agent, or Firm* — Goldilocks Zone IP Law

(57) **CLAIM**

The ornamental design for a bidet, as shown and described.

(56) **References Cited**

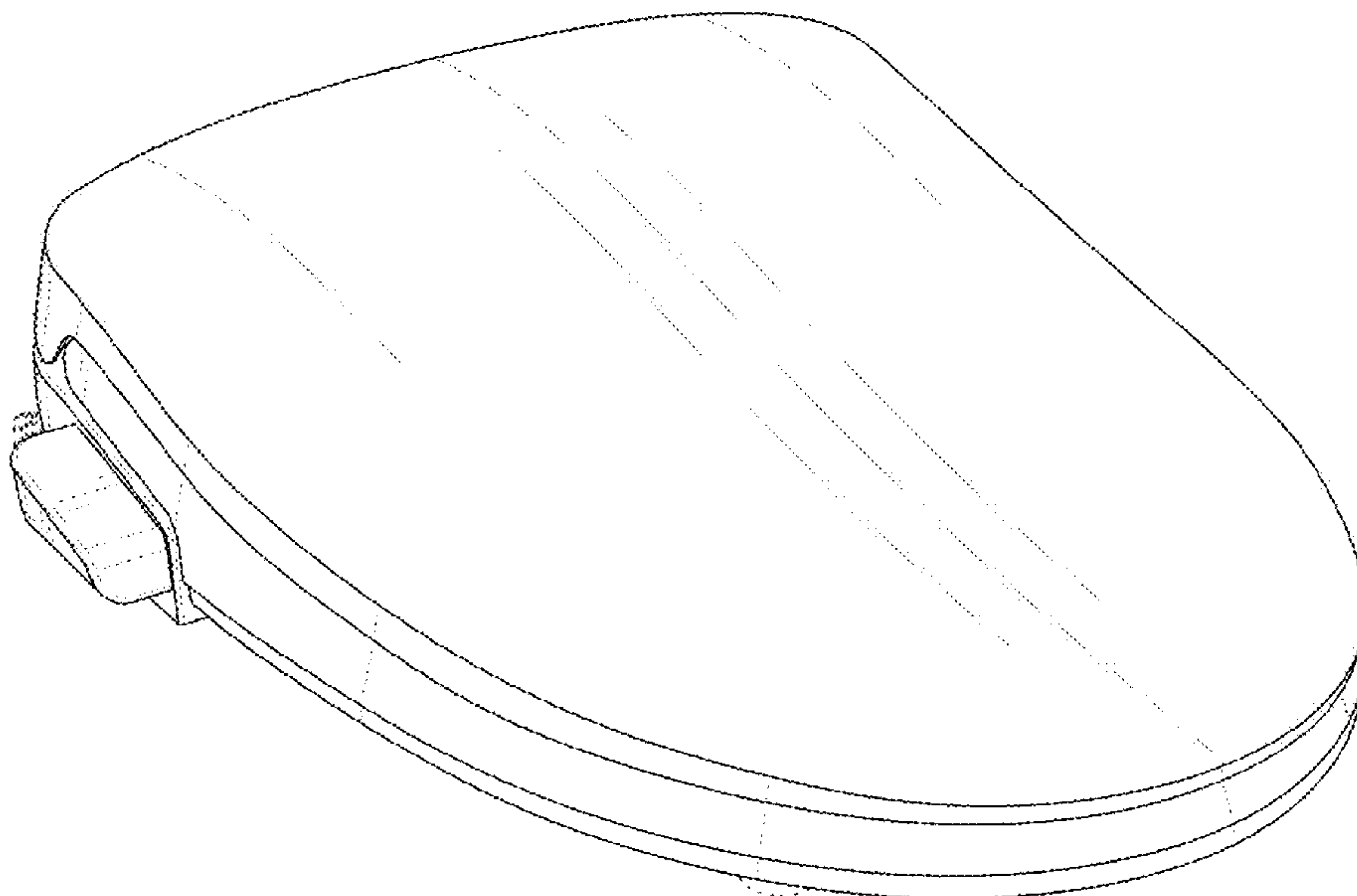
DESCRIPTION

U.S. PATENT DOCUMENTS

8,024,821 B2 * 9/2011 Chen A47K 13/26
4/240
D786,412 S * 5/2017 Jeong D23/311
D844,761 S * 4/2019 Nakabayashi D23/311
D894,355 S * 8/2020 Wang D23/311
D895,086 S * 9/2020 Lee D23/311
D897,508 S * 9/2020 Wang D23/311
D897,509 S * 9/2020 Wang D23/311
D897,510 S * 9/2020 Guan D23/311
10,869,583 B2 * 12/2020 Schwab B65D 83/759
10,912,878 B2 * 2/2021 Schwab B05B 1/005
D940,286 S * 1/2022 Gong D23/311

FIG. 1 is a perspective view of a bidet, showing our new design;
FIG. 2 is a front view thereof;
FIG. 3 is a rear view thereof;
FIG. 4 is a left-side view thereof;
FIG. 5 is a right-side view thereof;
FIG. 6 is a top plan view thereof; and,
7 is a bottom plan view thereof.
The broken lines shown in the figures depict portions of the bidet that form no part of the claimed design.

1 Claim, 7 Drawing Sheets



(56)

References Cited

U.S. PATENT DOCUMENTS

2016/0258151 A1* 9/2016 Shiraishi E03D 9/08
2018/0305914 A1* 10/2018 Wang E03D 9/08

OTHER PUBLICATIONS

Euroto 2022 Design Smart Toilet Bidet, announced Nov. 15, 2017[online], [site visited Oct. 13, 2022]. Available from internet, URL:<<https://www.amazon.com/dp/B09WTMJL6X>> (Year: 2017).*

Befen Electric Bidet Toilet Seat, announced Mar. 13, 2021 [online], [site visited Oct. 13, 2022]. Available from internet, URL:<<https://www.amazon.com/dp/B08HRSR2PX>> (Year: 2021).*

* cited by examiner

FIG. 1

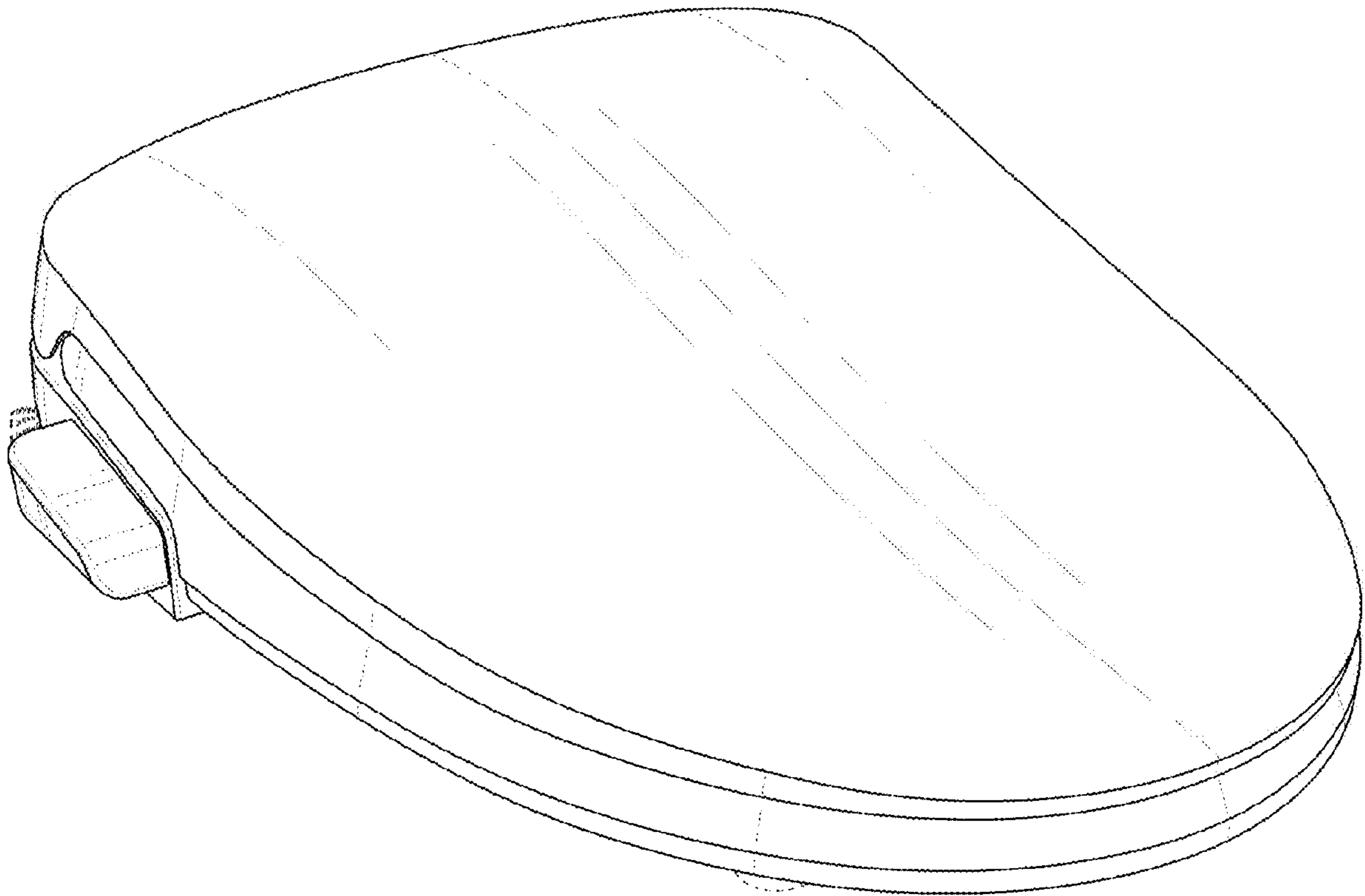


FIG. 2

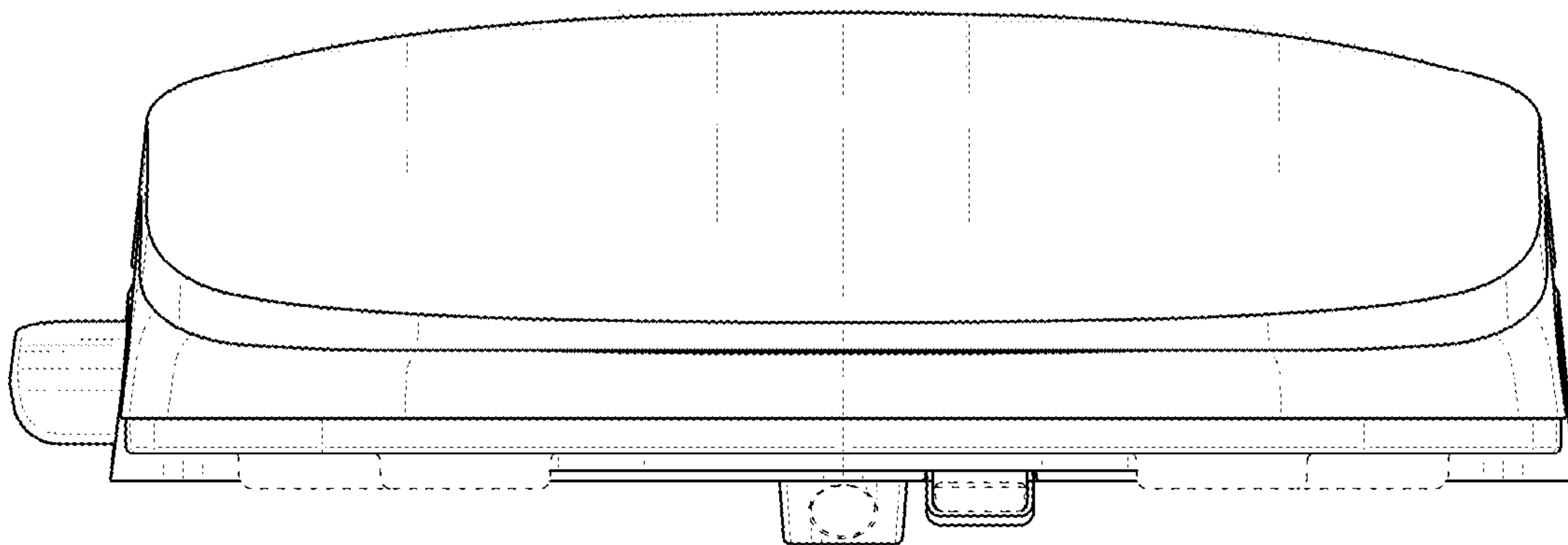


FIG. 3

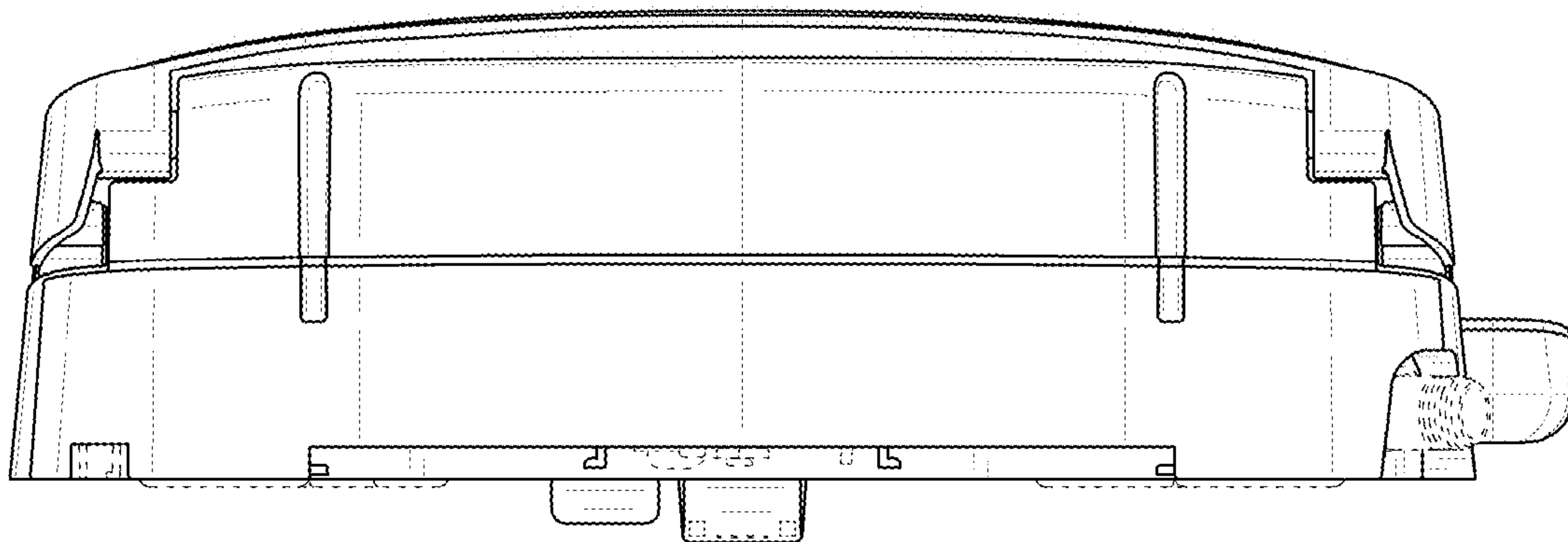


FIG. 4

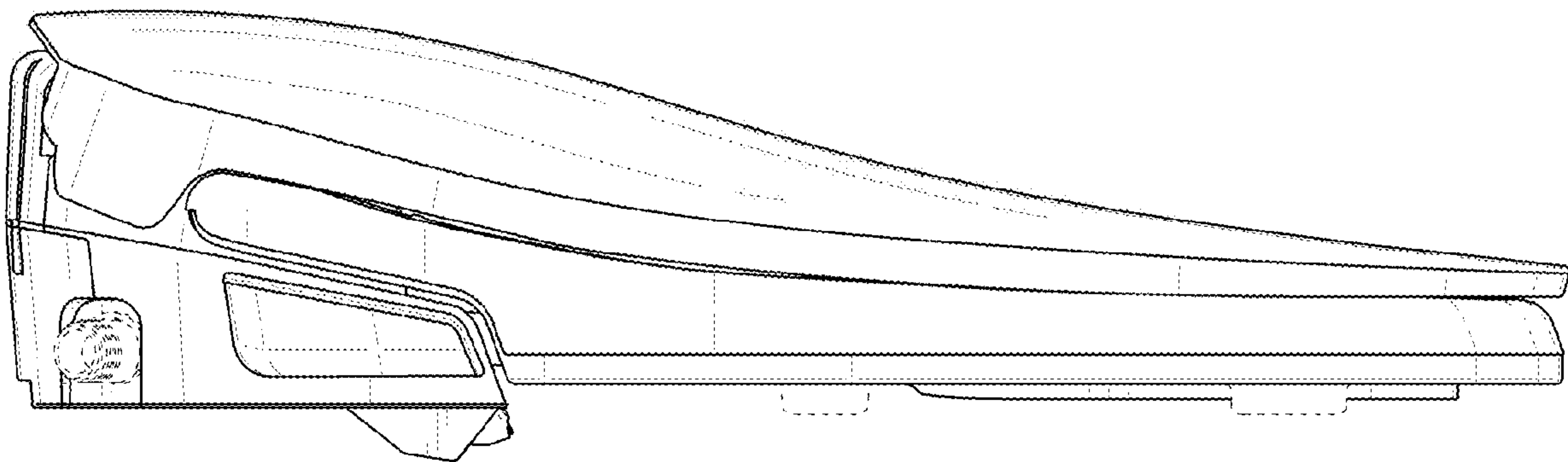


FIG. 5

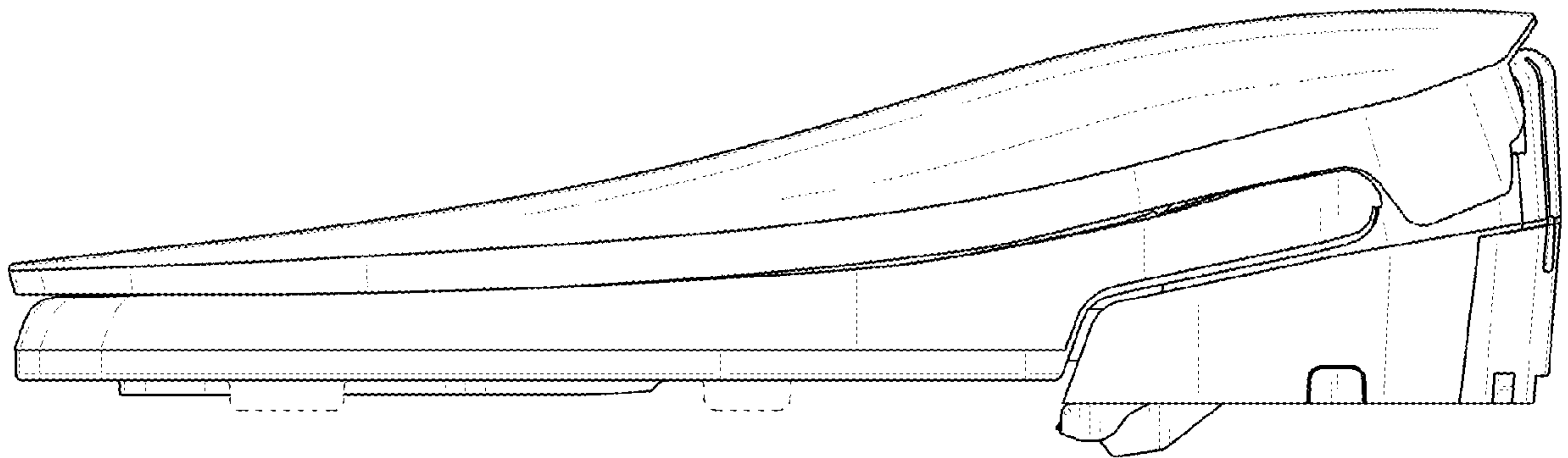


FIG. 6

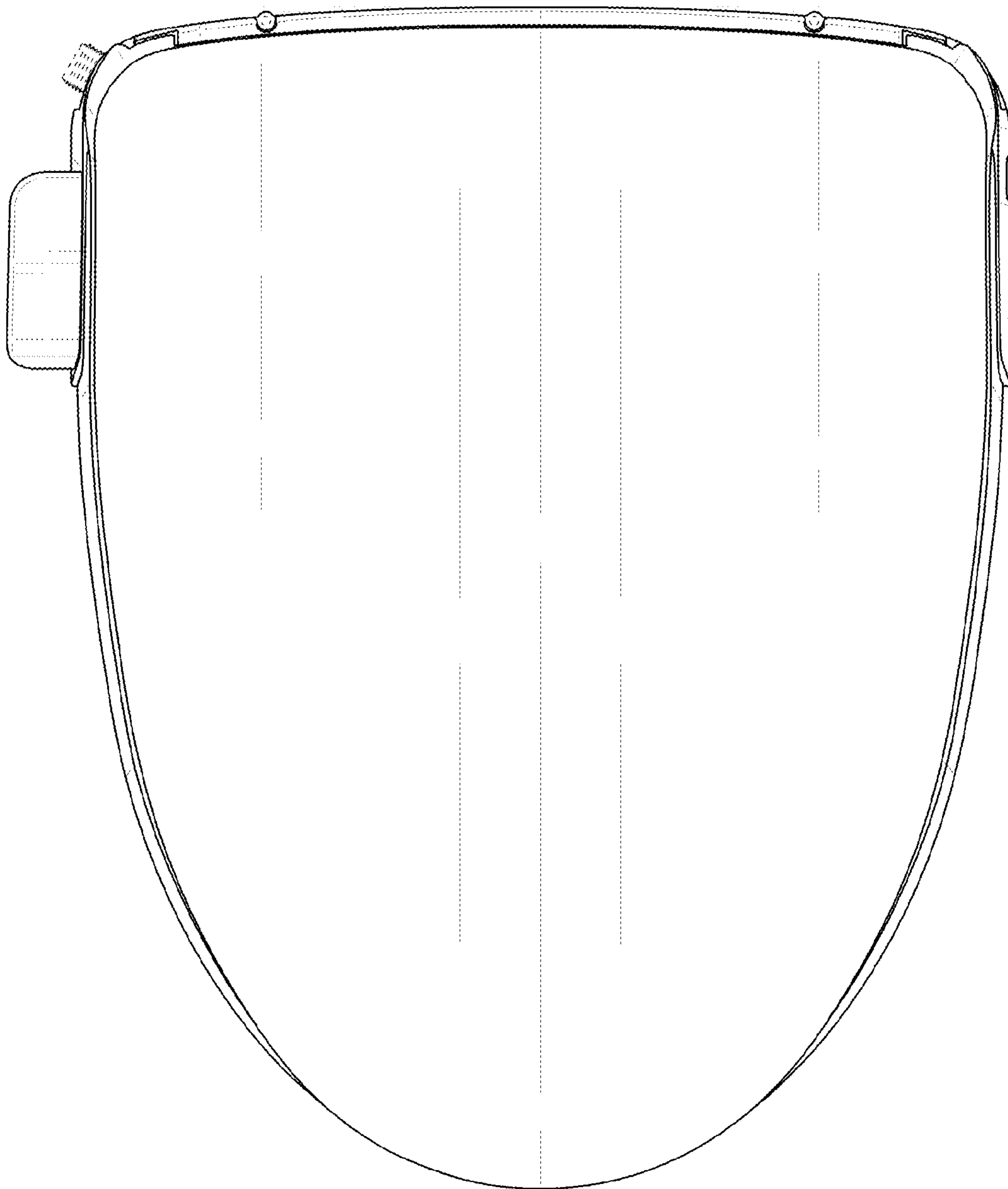


FIG. 7

