



US00D983946S

(12) **United States Design Patent**
Jiang

(10) **Patent No.:** **US D983,946 S**
(45) **Date of Patent:** **** Apr. 18, 2023**

(54) **BIDET**

(71) Applicant: **Xiamen Soothingware Sanitary Co., Ltd.**, Xiamen (CN)

(72) Inventor: **Jian Bing Jiang**, Xiamen (CN)

(73) Assignee: **Xiamen Soothingware Sanitary Co., Ltd.**, Xiamen (CN)

(**) Term: **15 Years**

(21) Appl. No.: **29/738,383**

(22) Filed: **Jun. 17, 2020**

(30) **Foreign Application Priority Data**

May 29, 2020 (CN) 202030260412.5

(51) **LOC (14) Cl.** **23-02**

(52) **U.S. Cl.**
USPC **D23/309**

(58) **Field of Classification Search**
USPC D23/308-309, 31-312
See application file for complete search history.

(56) **References Cited**

U.S. PATENT DOCUMENTS

D873,982 S * 1/2020 Gupta D23/309
D874,621 S * 2/2020 Gupta D23/309
(Continued)

OTHER PUBLICATIONS

LUXE Bidet NEO 185 Plus—Next-Generation Bidet Toilet Seat
Attachment: https://www.amazon.com/dp/B0B1GX6GYV/ref=sspa_dk_detail_5?pd_rd_i=B0B1HD7ZVJ&pd_rd_w=Ptfxu&content-id=amzn1.sym.dd2c6db7-6626-466d-bf04-9570e69a7df0&pf_rd_p=dd2c6db7-6626-466d-bf04-9570e69a7df0&pf_rd_r=4XC33A9D2FHEHA8XZCDQ&pd_rd_wg (Year: 2022).*

Primary Examiner — Robert A Delehanty

(57) **CLAIM**

The ornamental design for a bidet, as shown and described.

DESCRIPTION

FIG. 1 is a front elevational view of a bidet showing the new design;
FIG. 2 is a rear elevational view thereof;
FIG. 3 is a left-side elevational view thereof;
FIG. 4 is a right-side elevational view thereof;
FIG. 5 is a top elevational view thereof;
FIG. 6 is a bottom elevational view thereof;
FIG. 7 is a front, left, bottom perspective view thereof;
FIG. 8 is a top, right, rear perspective view thereof;
FIG. 9 is a left, bottom, rear perspective view thereof;
FIG. 10 is a top, left, rear perspective view thereof;
FIG. 11 is a bottom, rear perspective view thereof;
FIG. 12 is another left, bottom, rear perspective view thereof;
FIG. 13 is a top, rear perspective view thereof;
FIG. 14 is right, bottom, rear perspective view thereof;
FIG. 15 is another bottom, rear perspective view thereof;
FIG. 16 is an enlarged partial view of FIG. 1;
FIG. 17 is an enlarged partial view of FIG. 2;
FIG. 18 is another enlarged partial view of FIG. 2;
FIG. 19 is another enlarged partial view of FIG. 2;
FIG. 20 is another enlarged partial view of FIG. 2;
FIG. 21 is an enlarged partial view of FIG. 8;
FIG. 22 is another enlarged partial view of FIG. 8;
FIG. 23 is an enlarged partial view of FIG. 9;
FIG. 24 is another enlarged partial view of FIG. 9;
FIG. 25 is another enlarged partial view of FIG. 9;
FIG. 26 is an enlarged partial view of FIG. 10;
FIG. 27 is another enlarged partial view of FIG. 10;
FIG. 28 is another enlarged partial view of FIG. 10;
FIG. 29 is another enlarged partial view of FIG. 10;
FIG. 30 is an enlarged partial view of FIG. 11;
FIG. 31 is another enlarged partial view of FIG. 11;
FIG. 32 is a cross-sectional view taken along line 32-32 of FIG. 12;
FIG. 33 is a cross-sectional view taken along line 33-33 of FIG. 12;
FIG. 34 is a cross-sectional view taken along line 34-34 of FIG. 13;

(Continued)

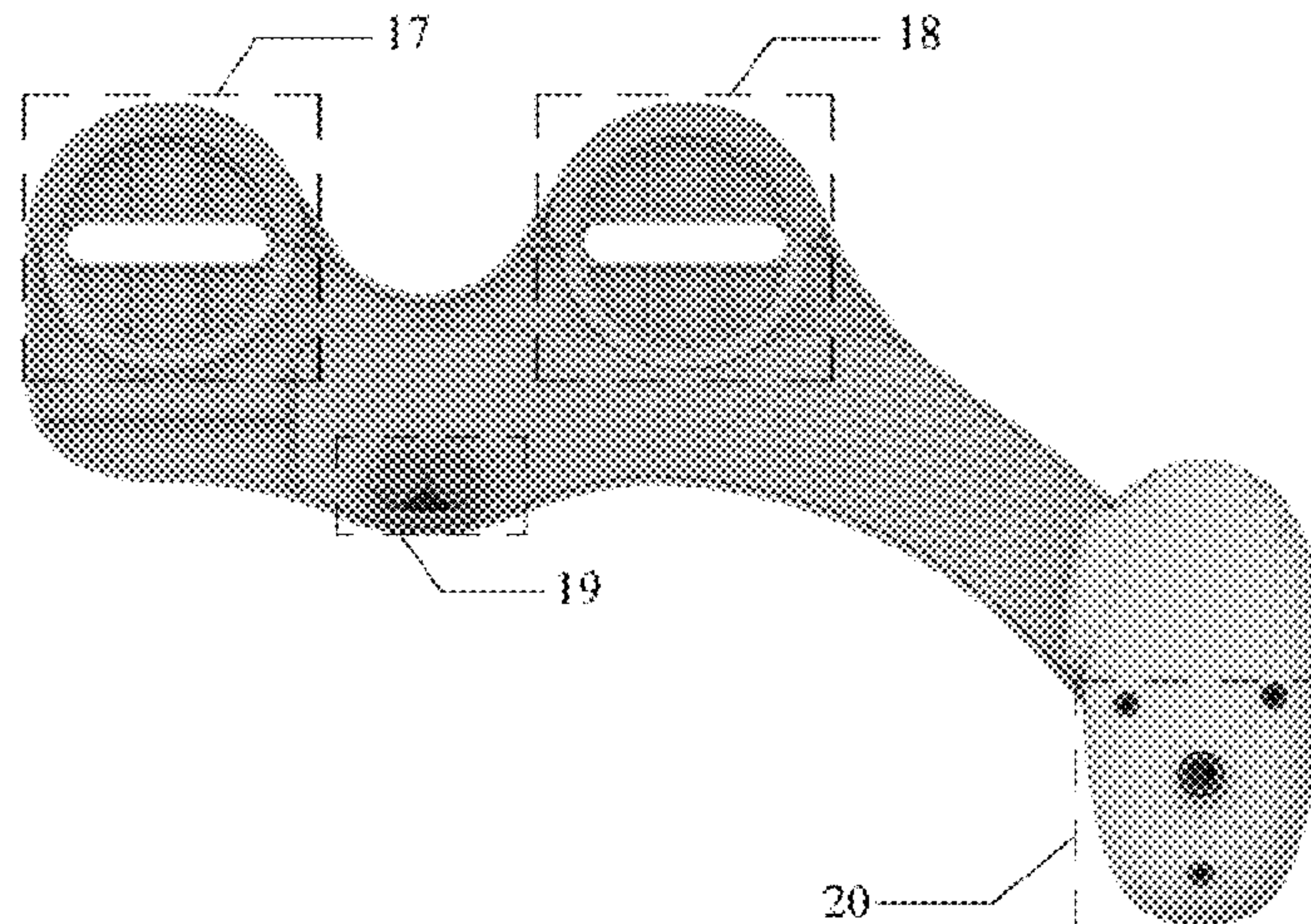


FIG. 35 is a cross-sectional view taken along line 35-35 of FIG. 14; and, FIG. 36 is a cross-sectional view taken along line 36-36 of FIG. 15.

1 Claim, 36 Drawing Sheets

(56)

References Cited

U.S. PATENT DOCUMENTS

D882,053 S * 4/2020 Gupta D23/309
D885,539 S * 5/2020 Yan D23/309
11,505,934 B2 * 11/2022 Gupta A47K 4/00

* cited by examiner

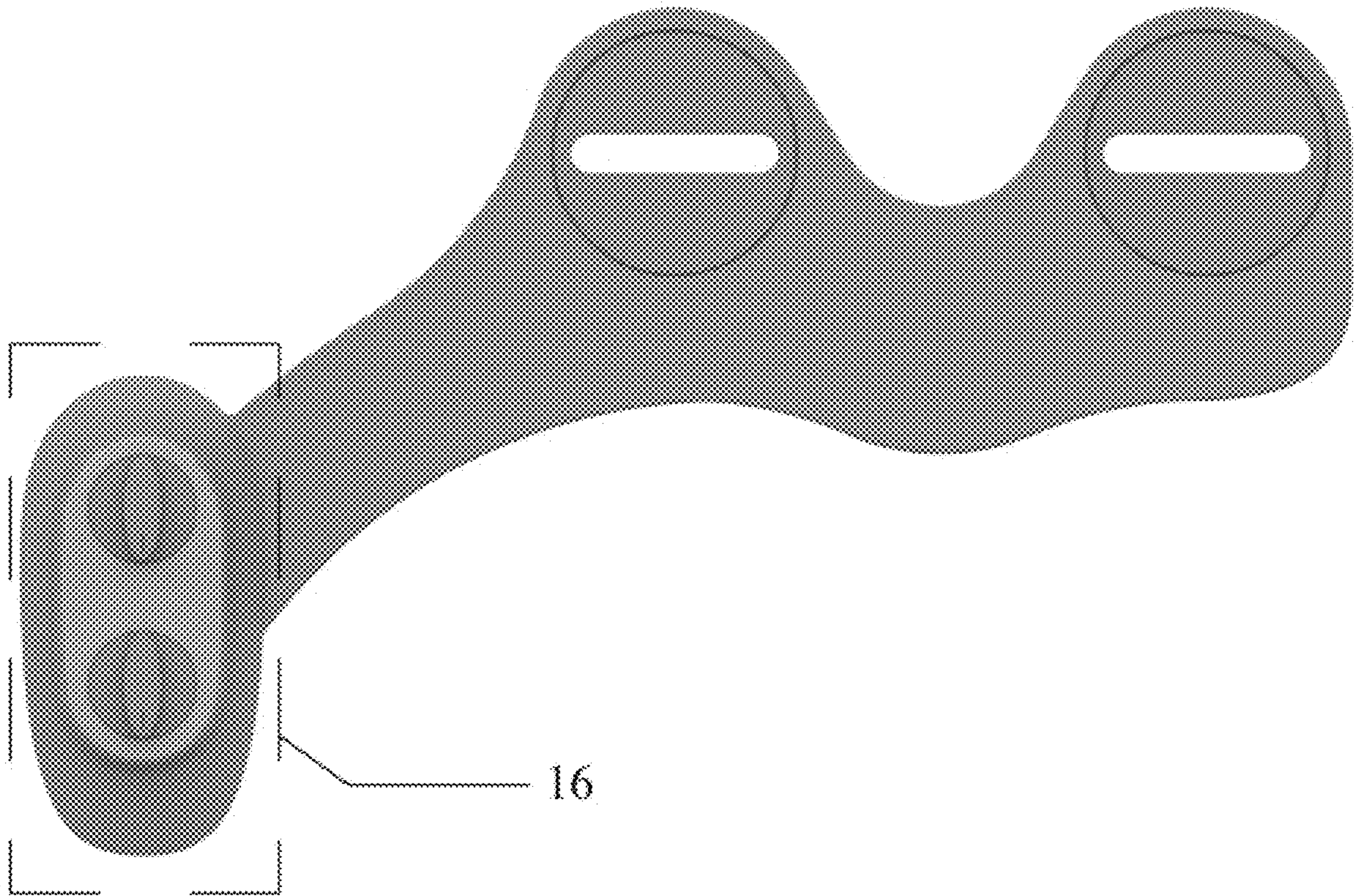


FIG.1

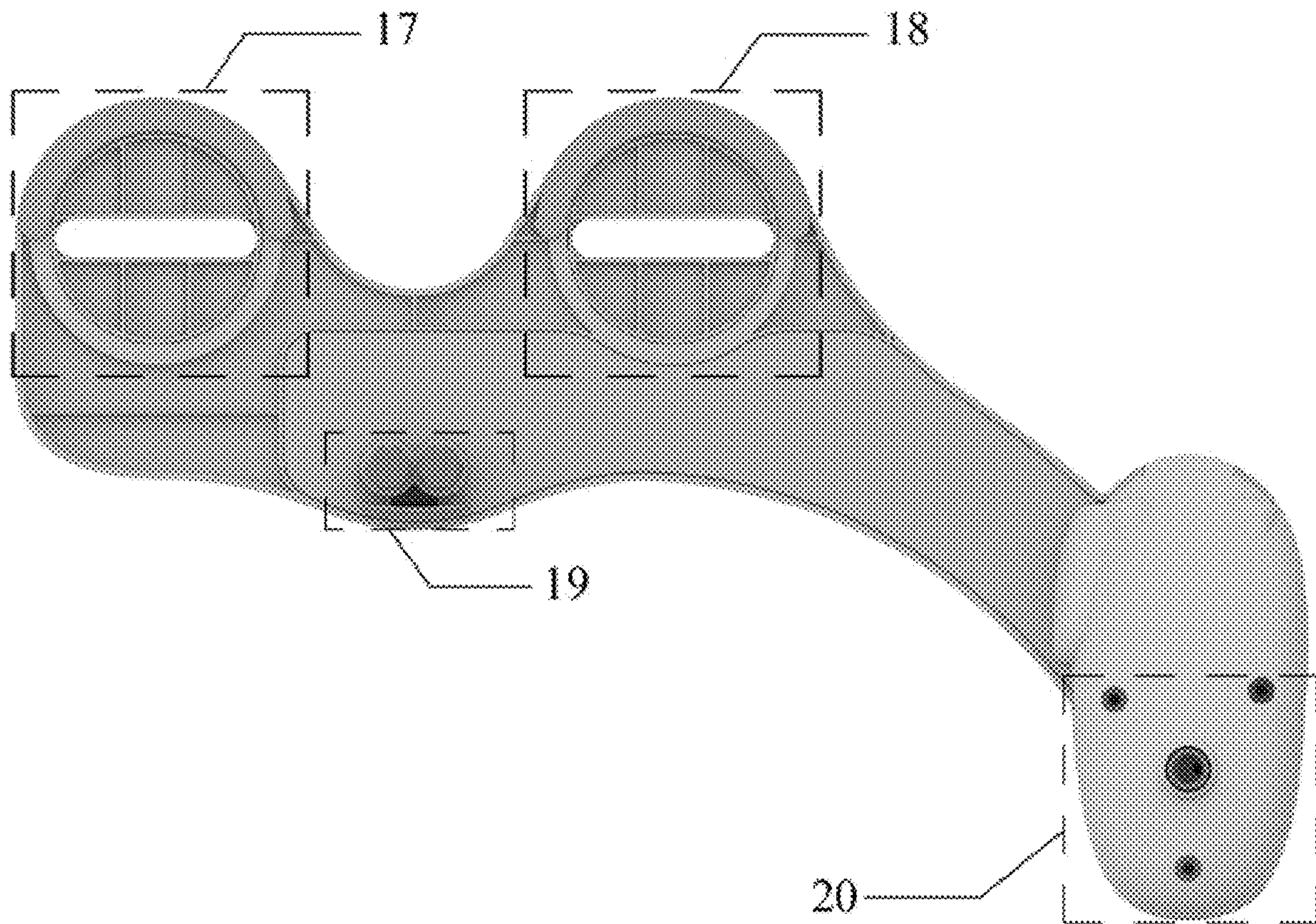


FIG. 2

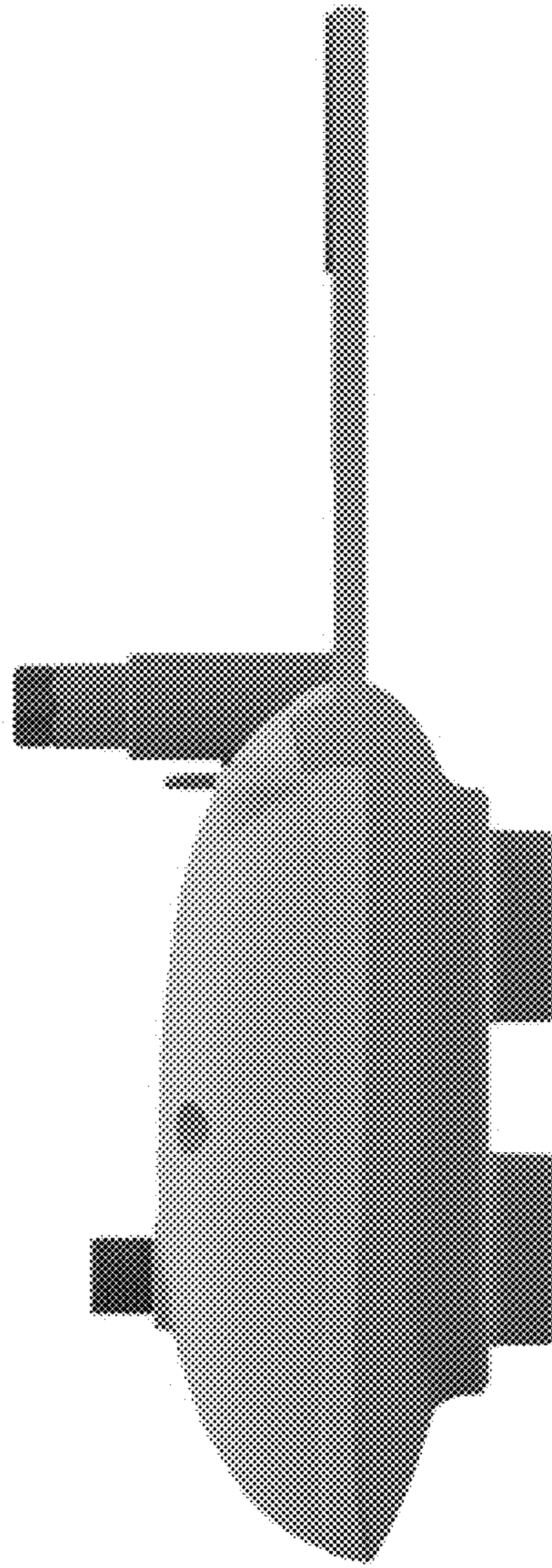


FIG.3

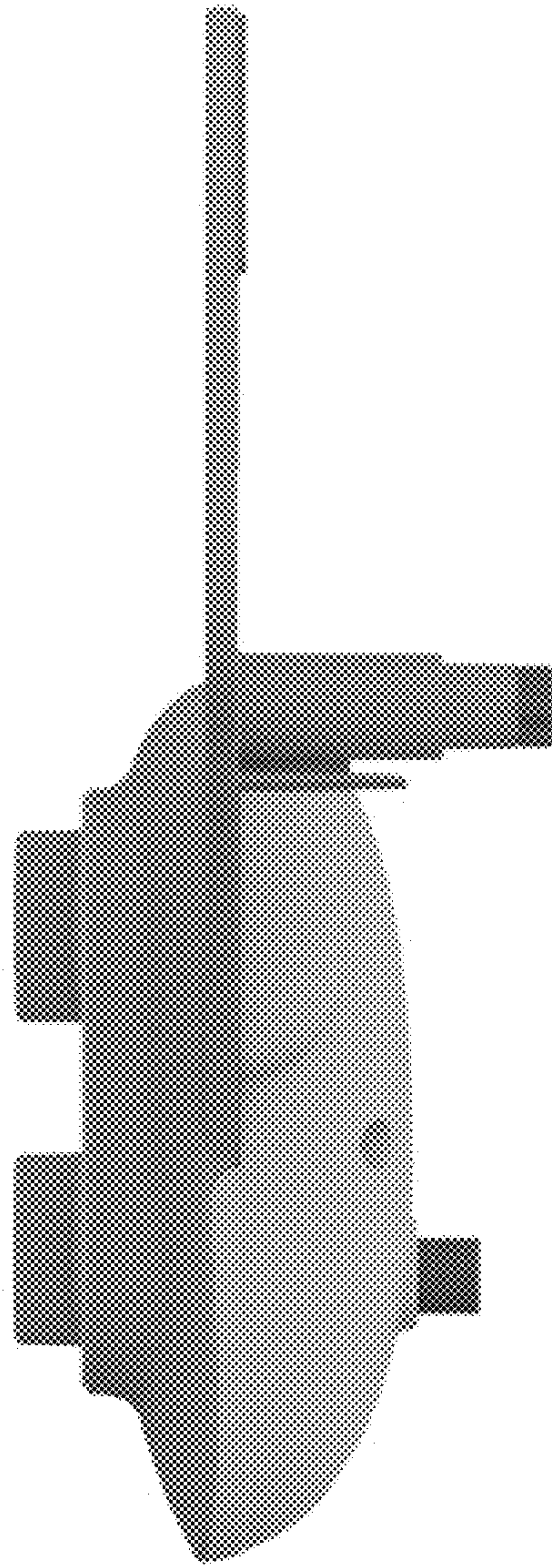


FIG.4



FIG. 5

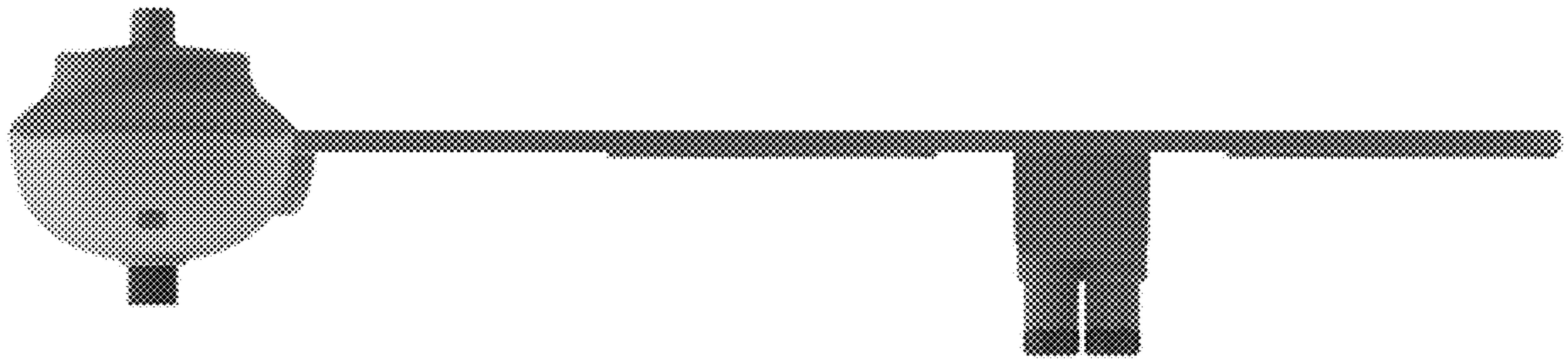


FIG.6

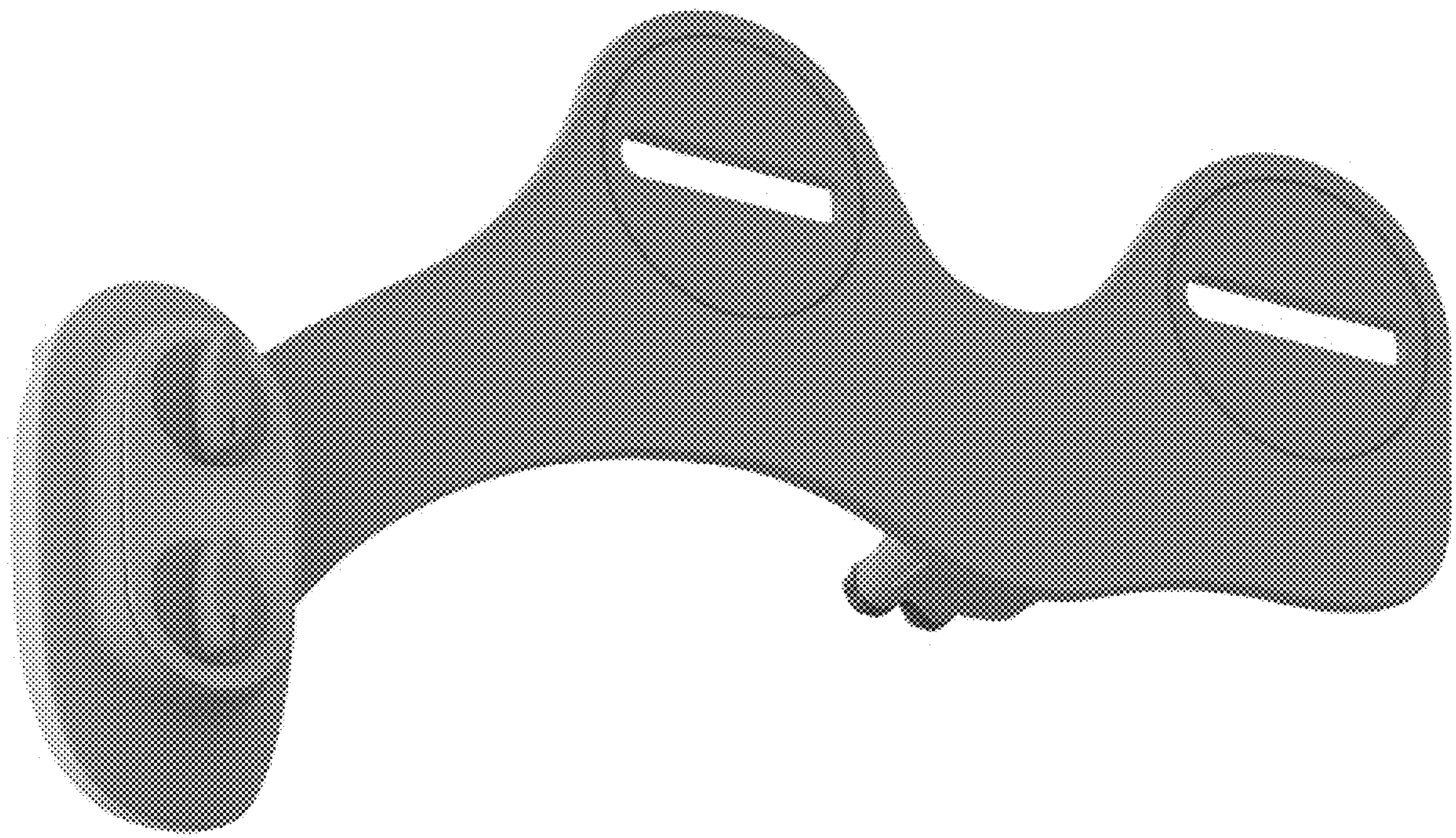


FIG. 7

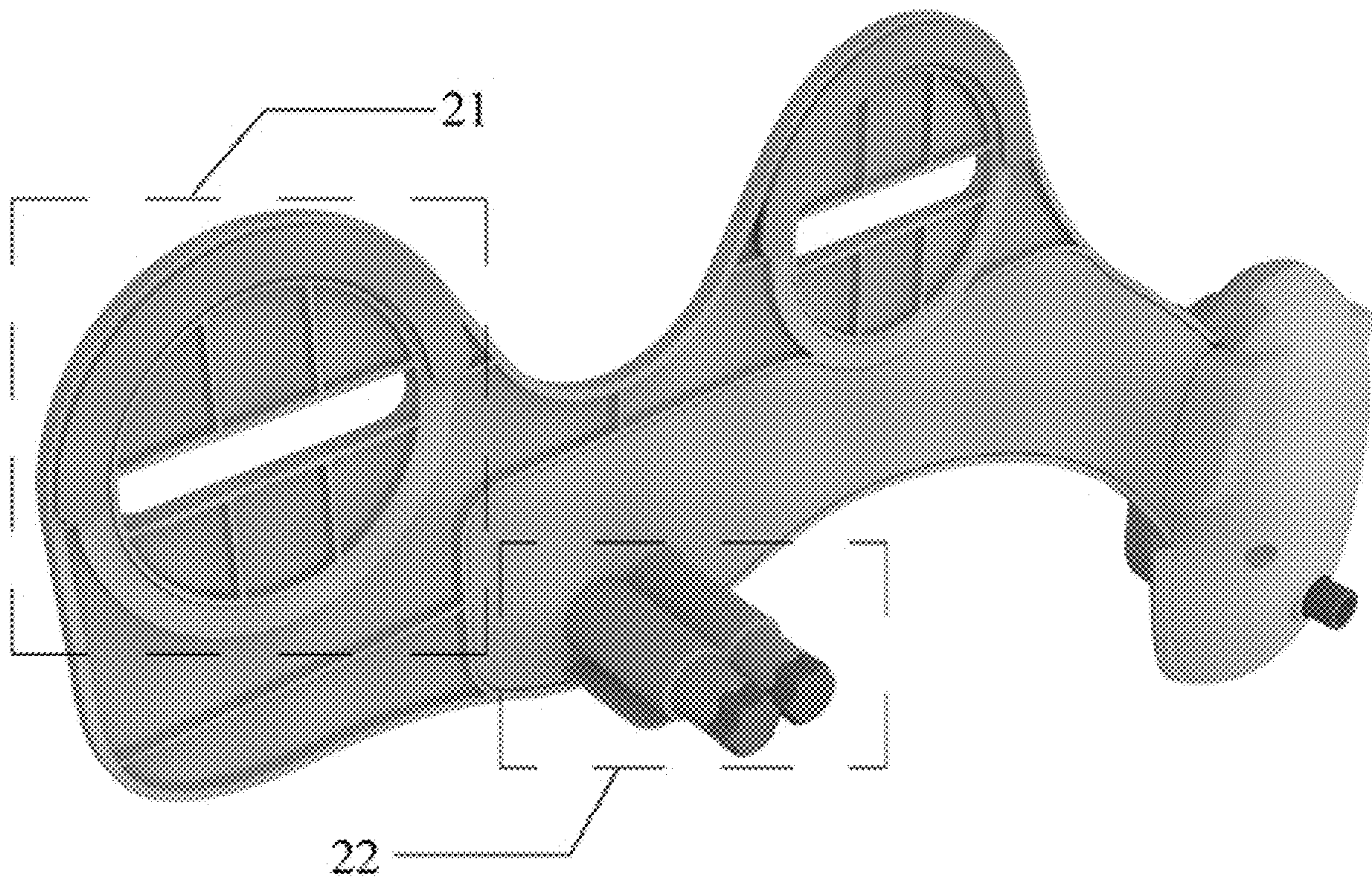


FIG.8

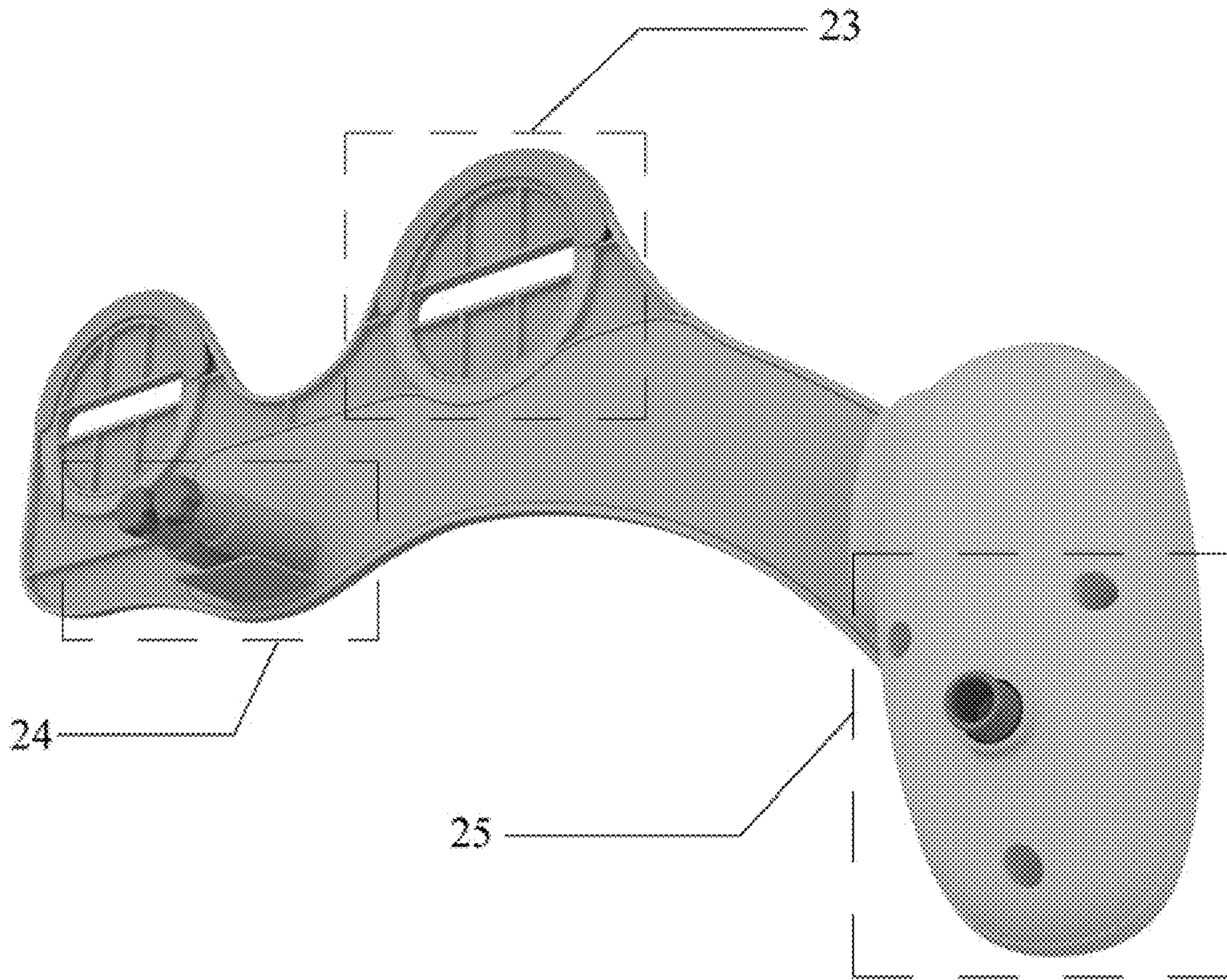


FIG.9

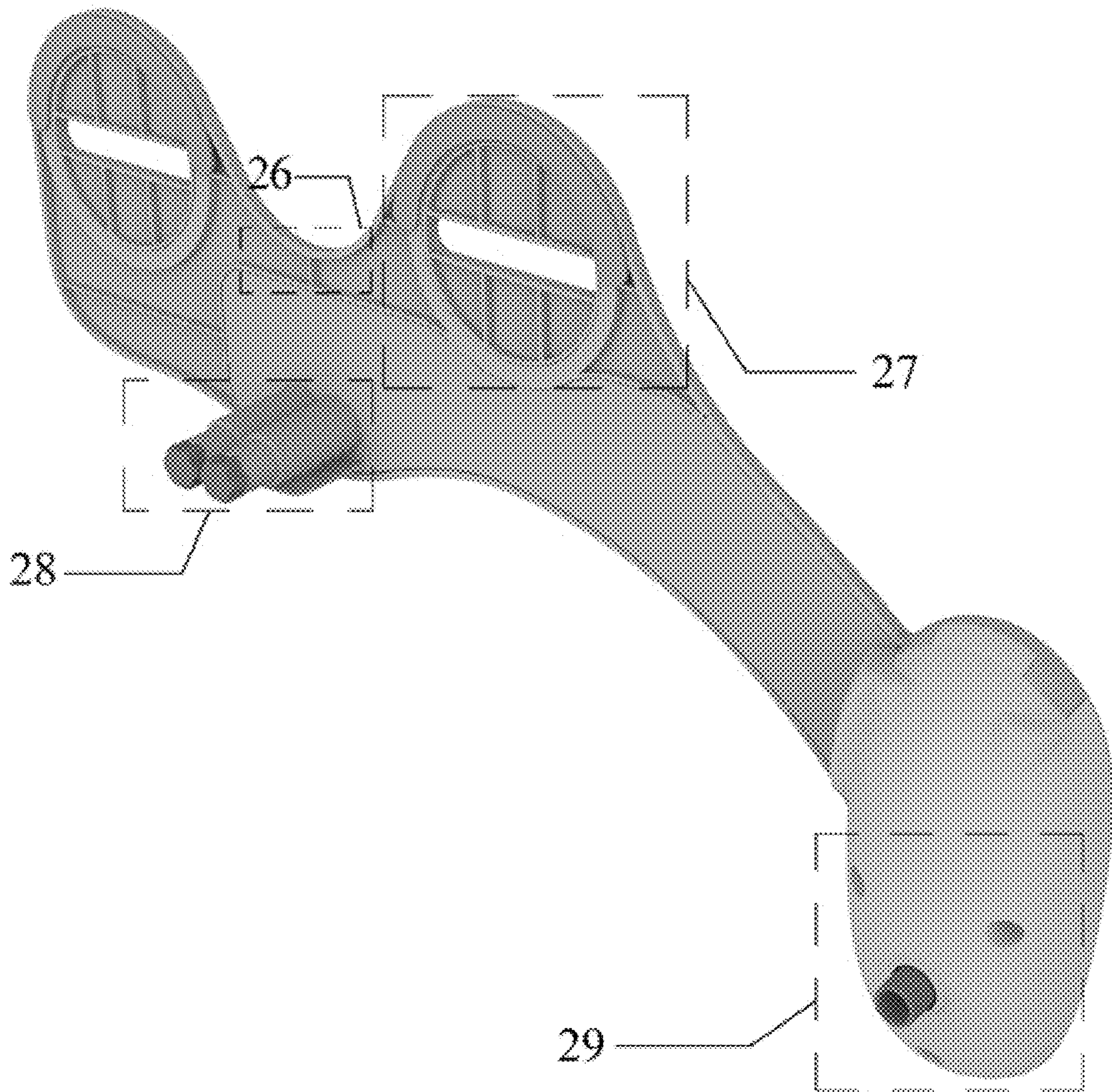


FIG. 10

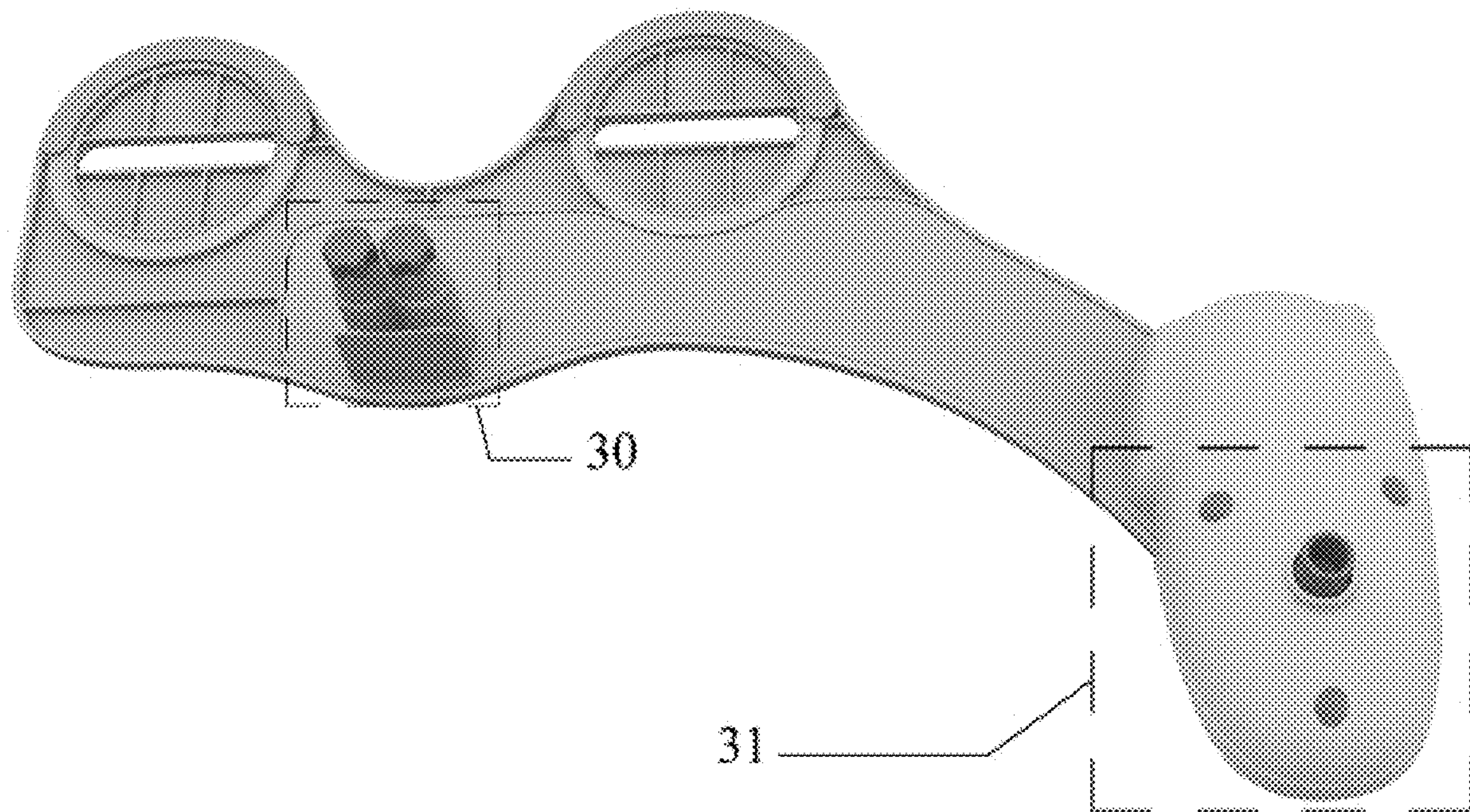


FIG. 11

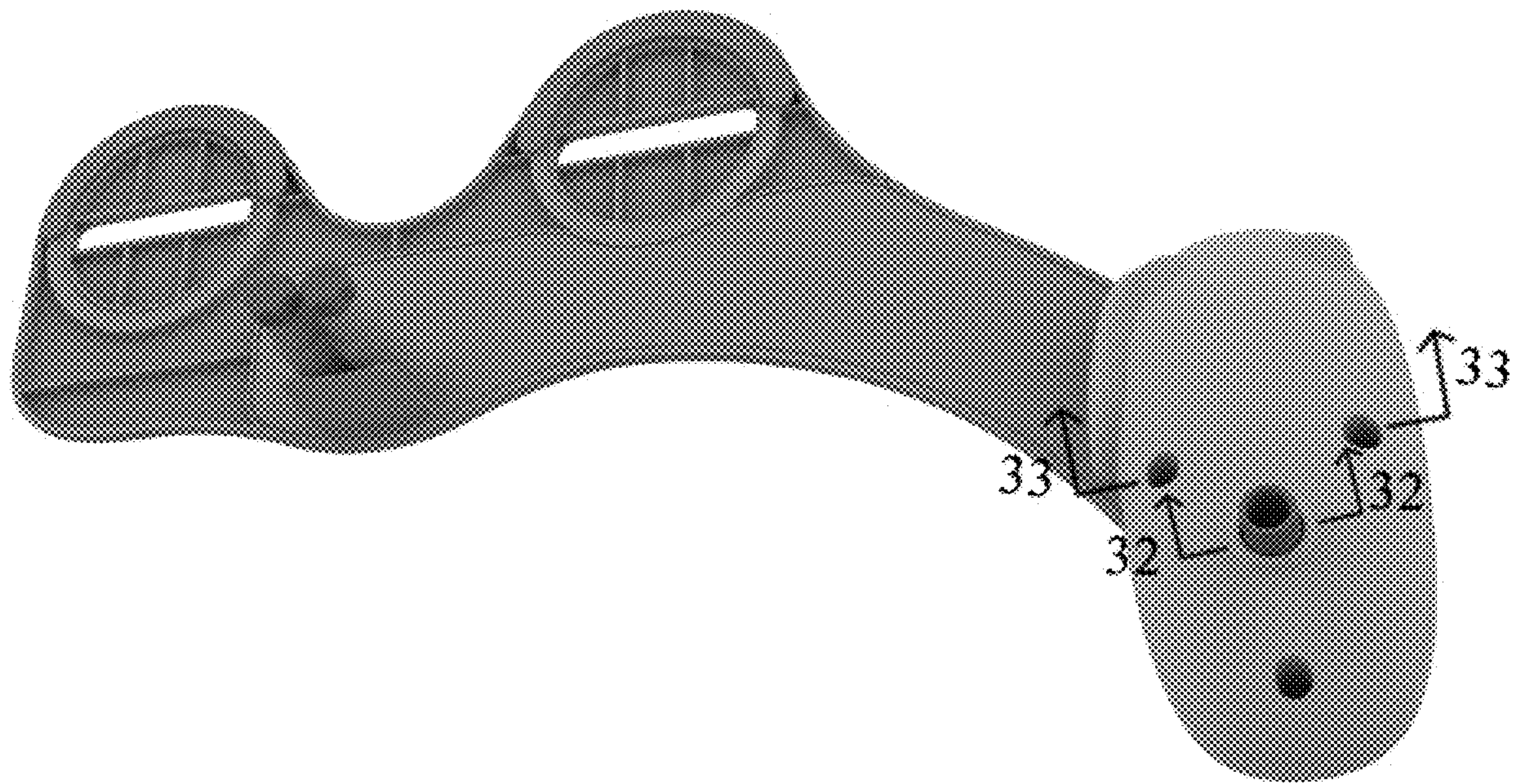


FIG.12

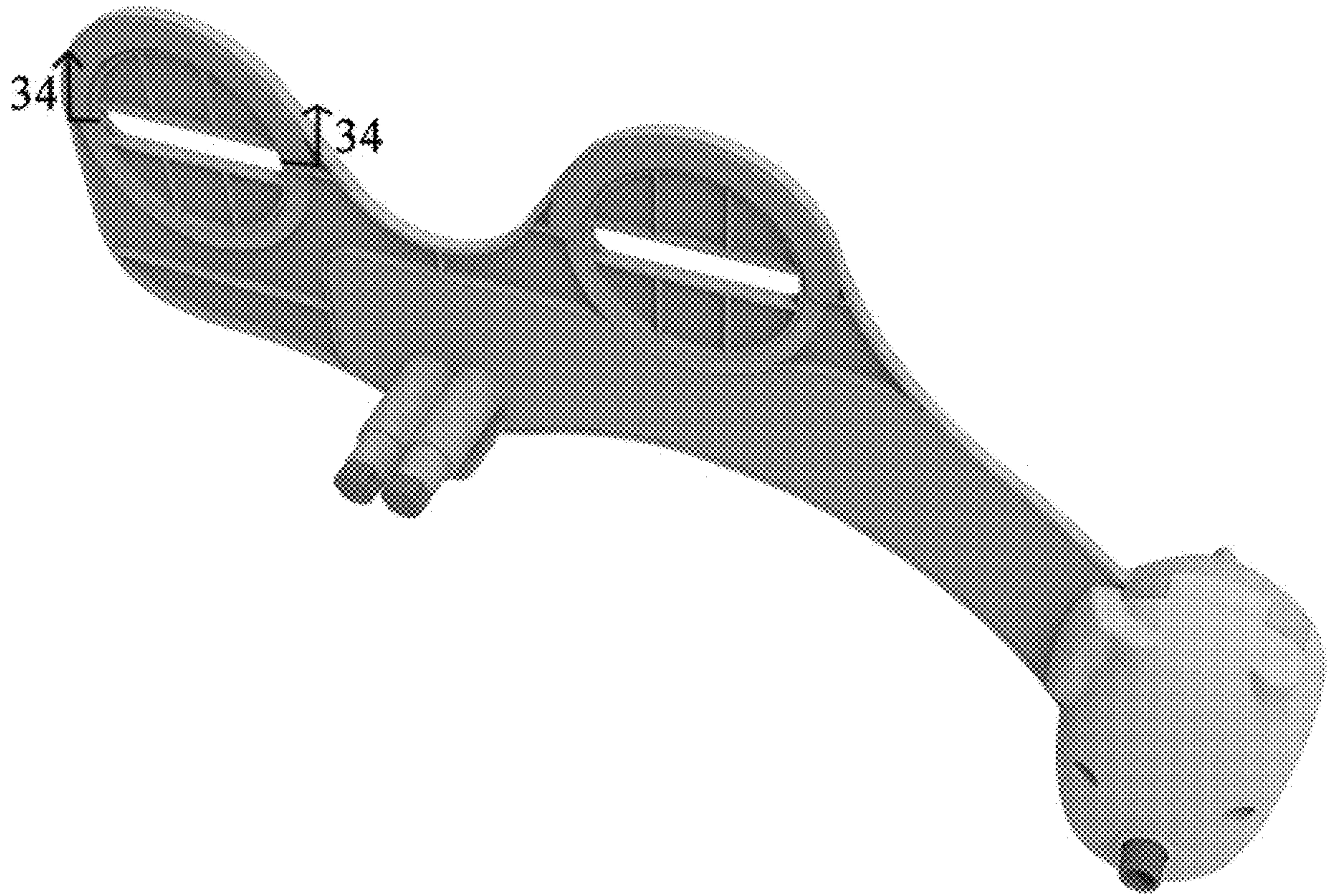


FIG.13

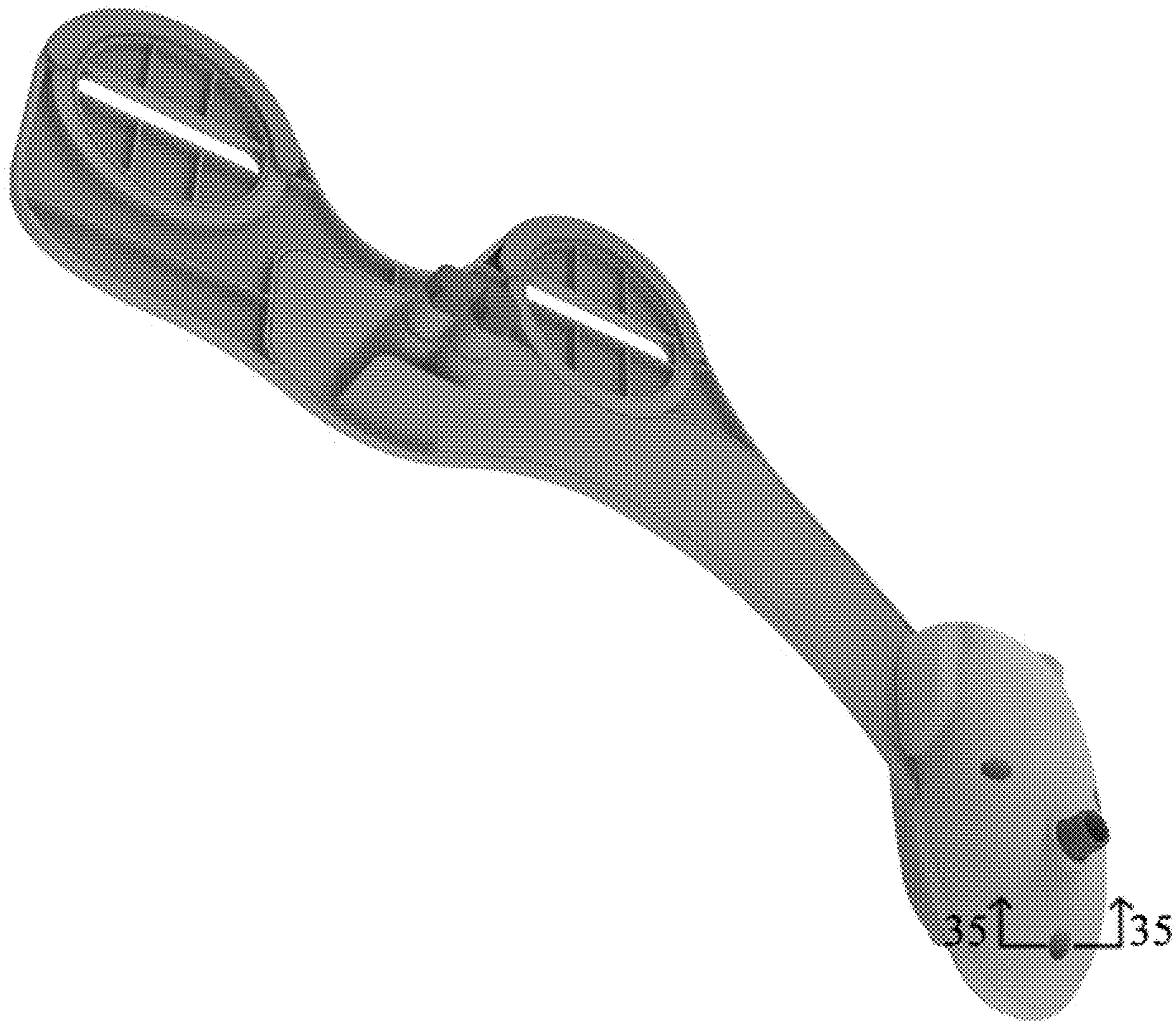


FIG.14

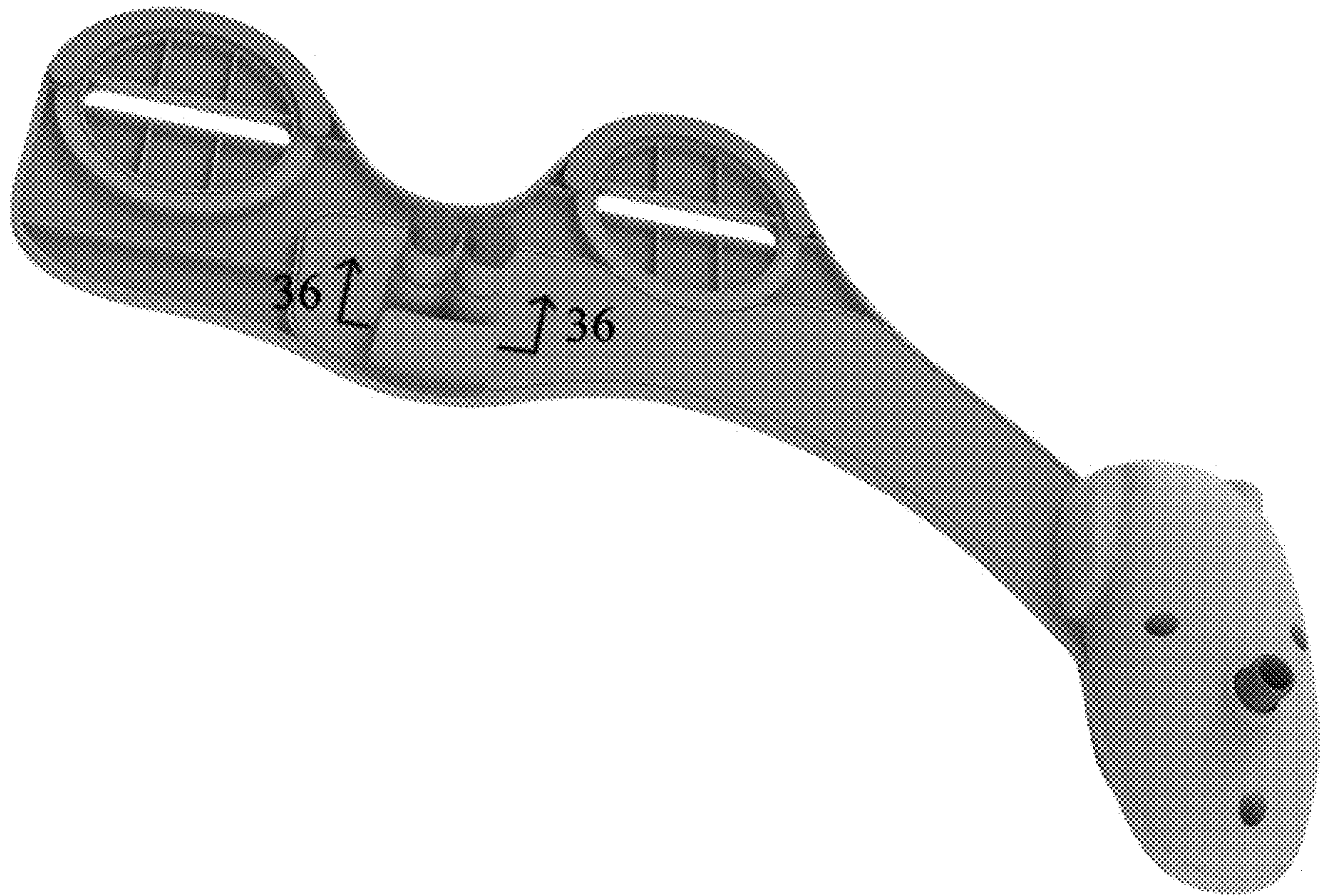


FIG.15

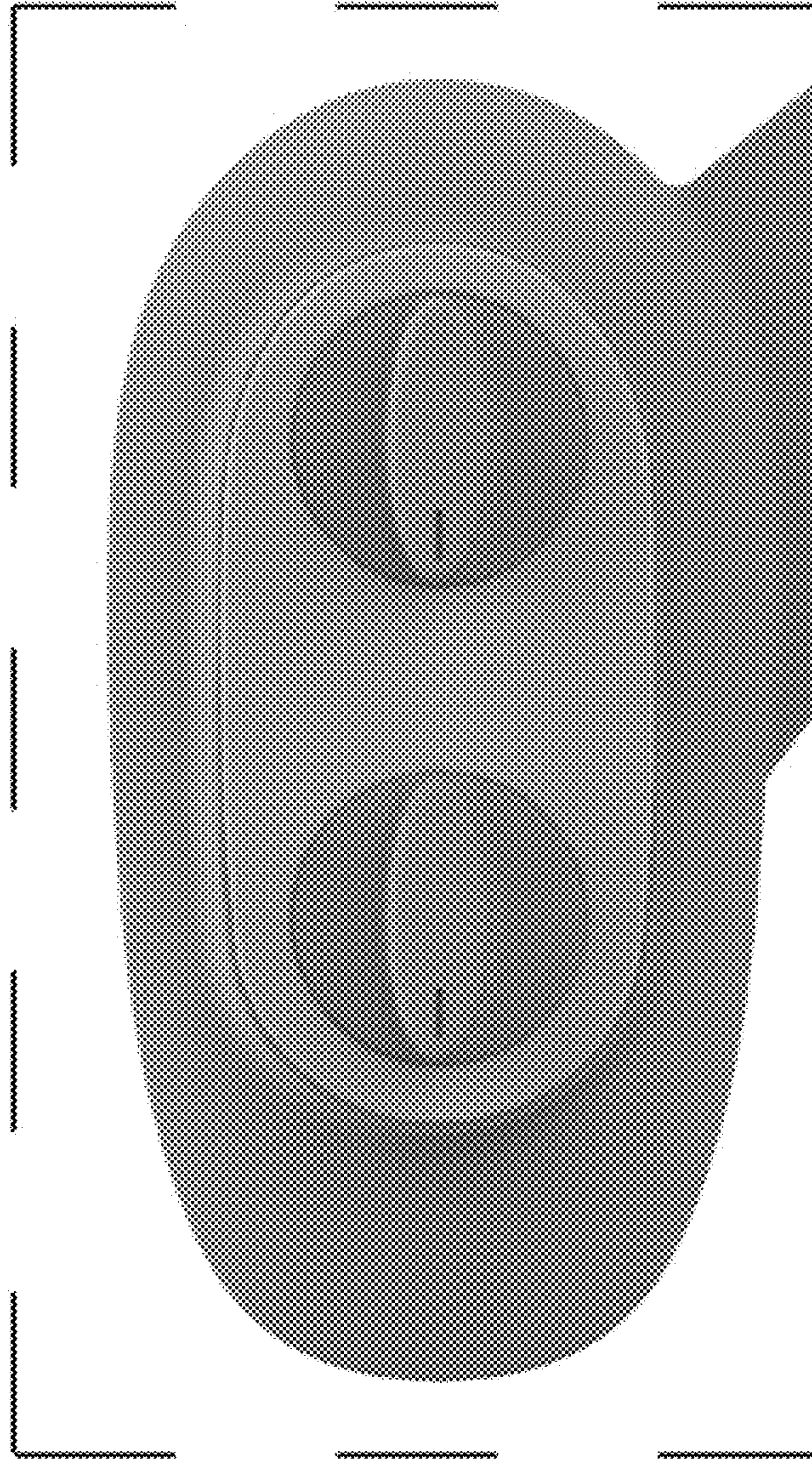


FIG.16

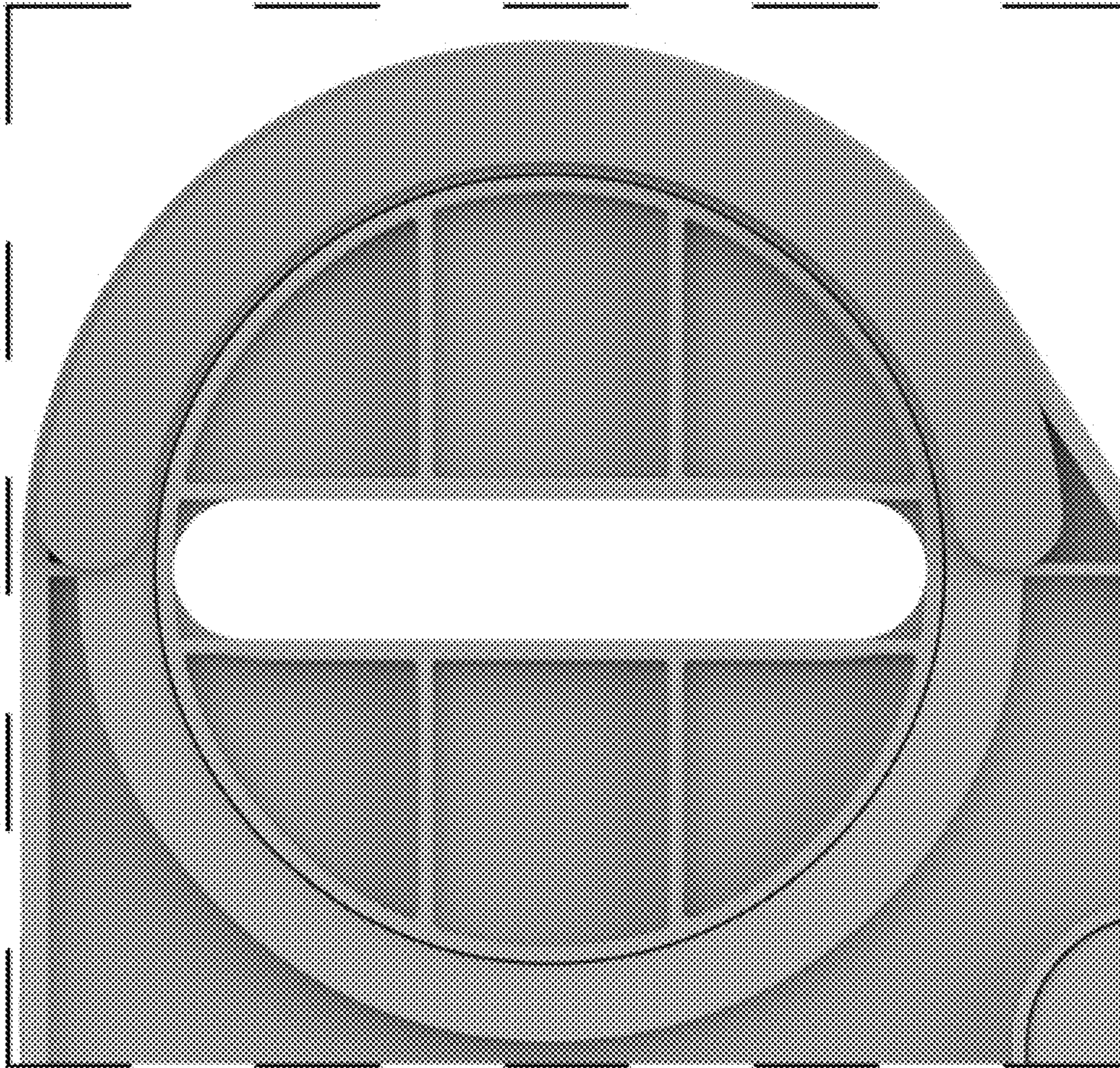


FIG. 17

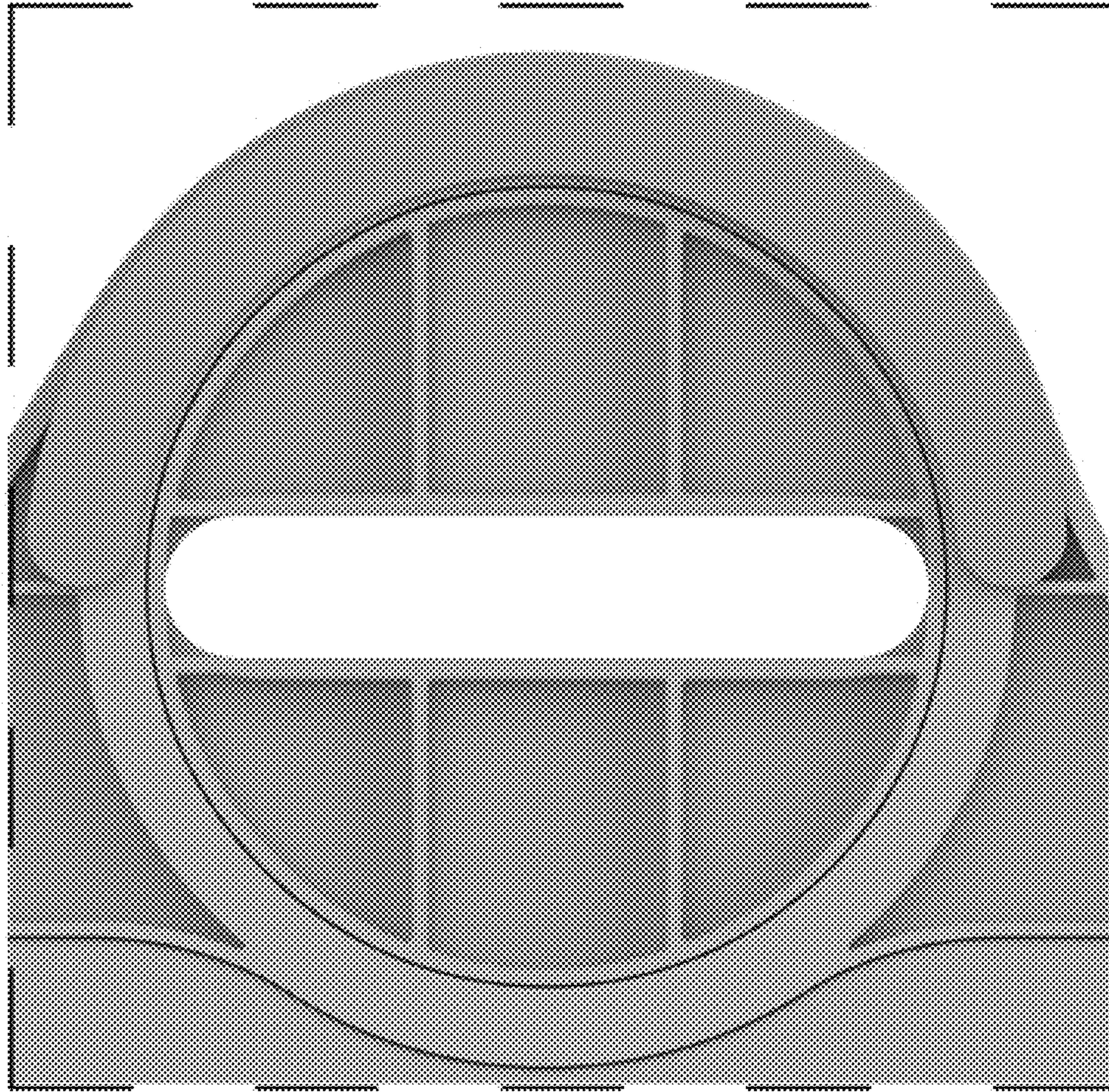


FIG.18

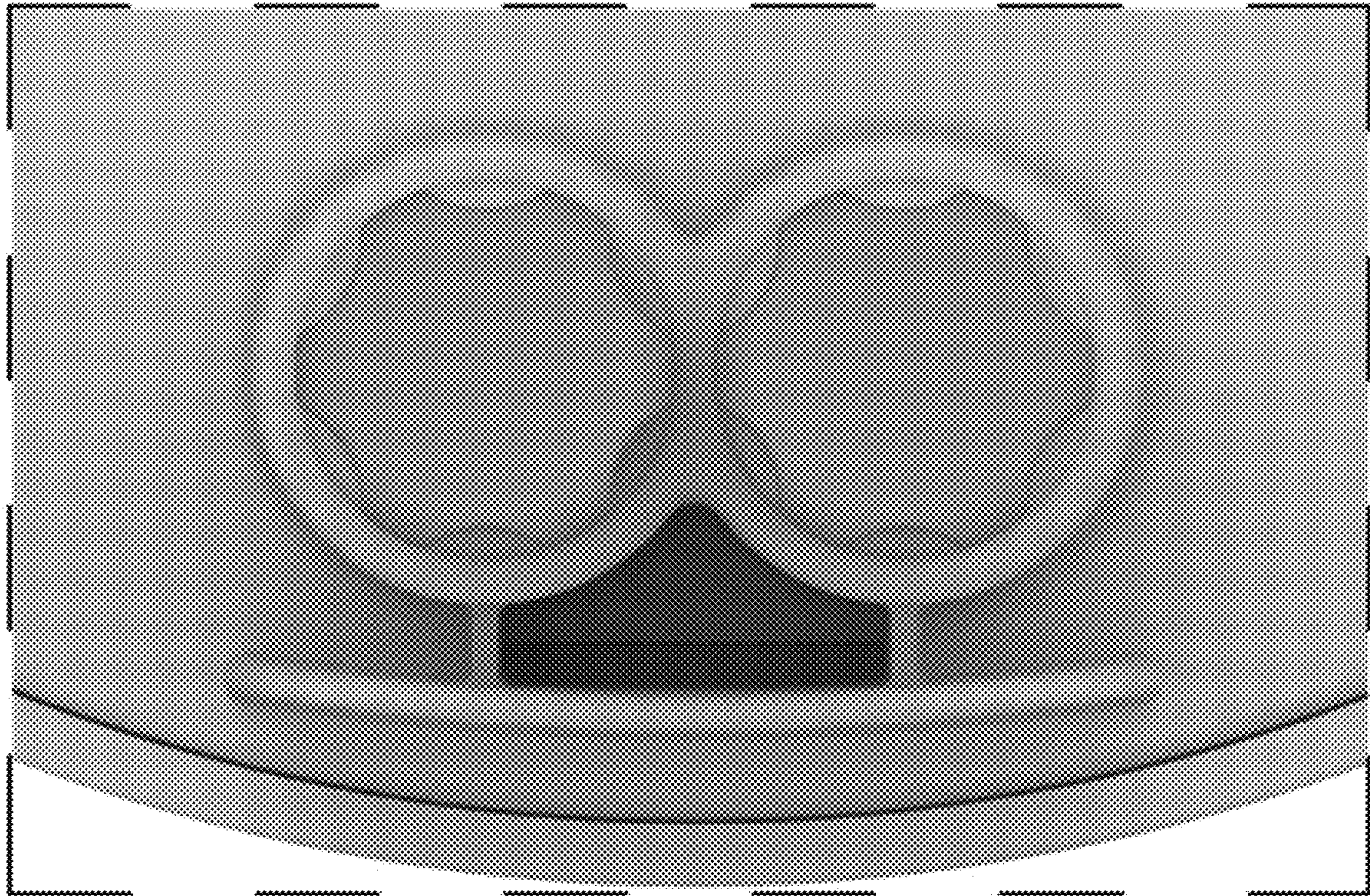


FIG. 19

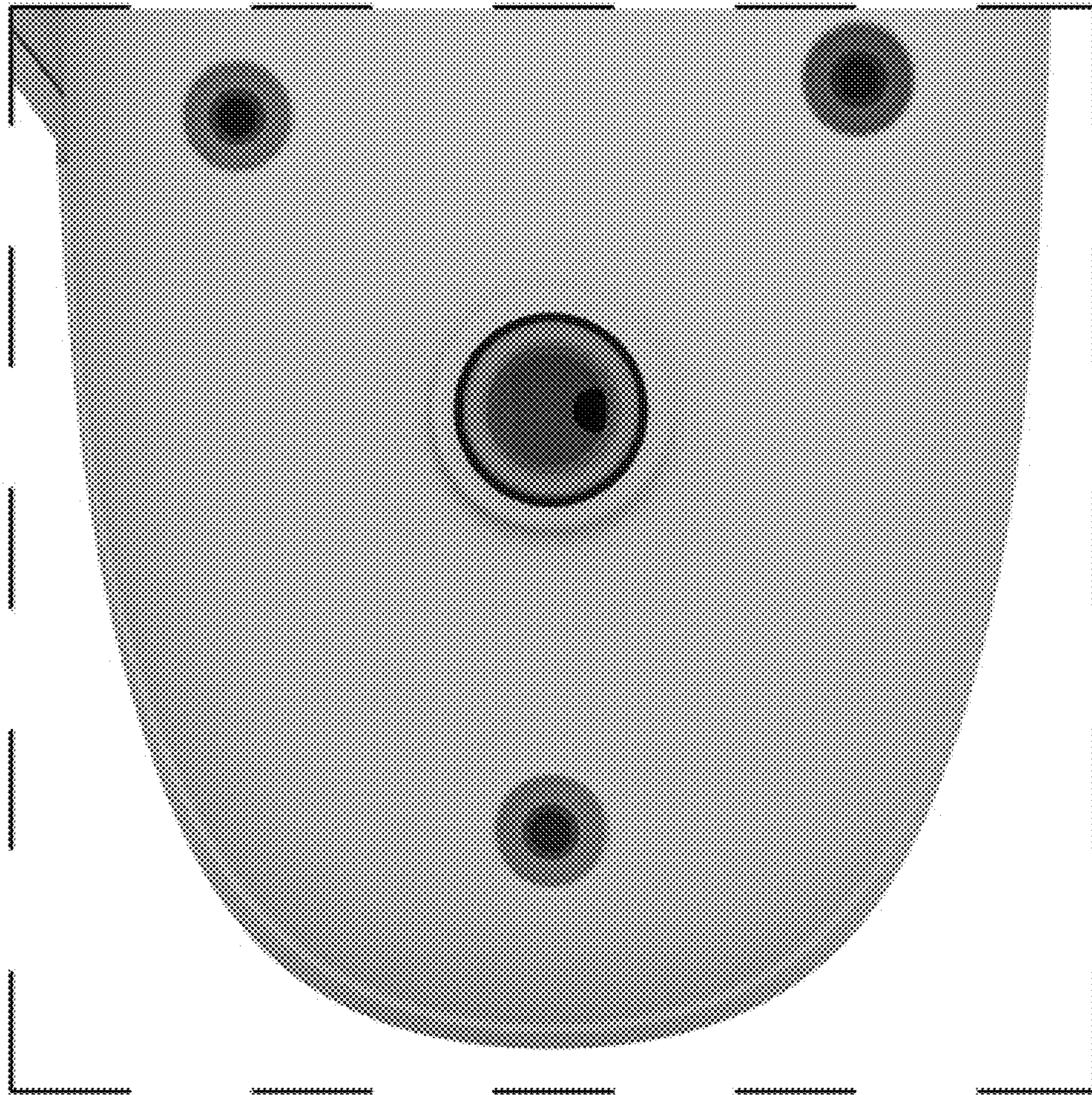


FIG.20

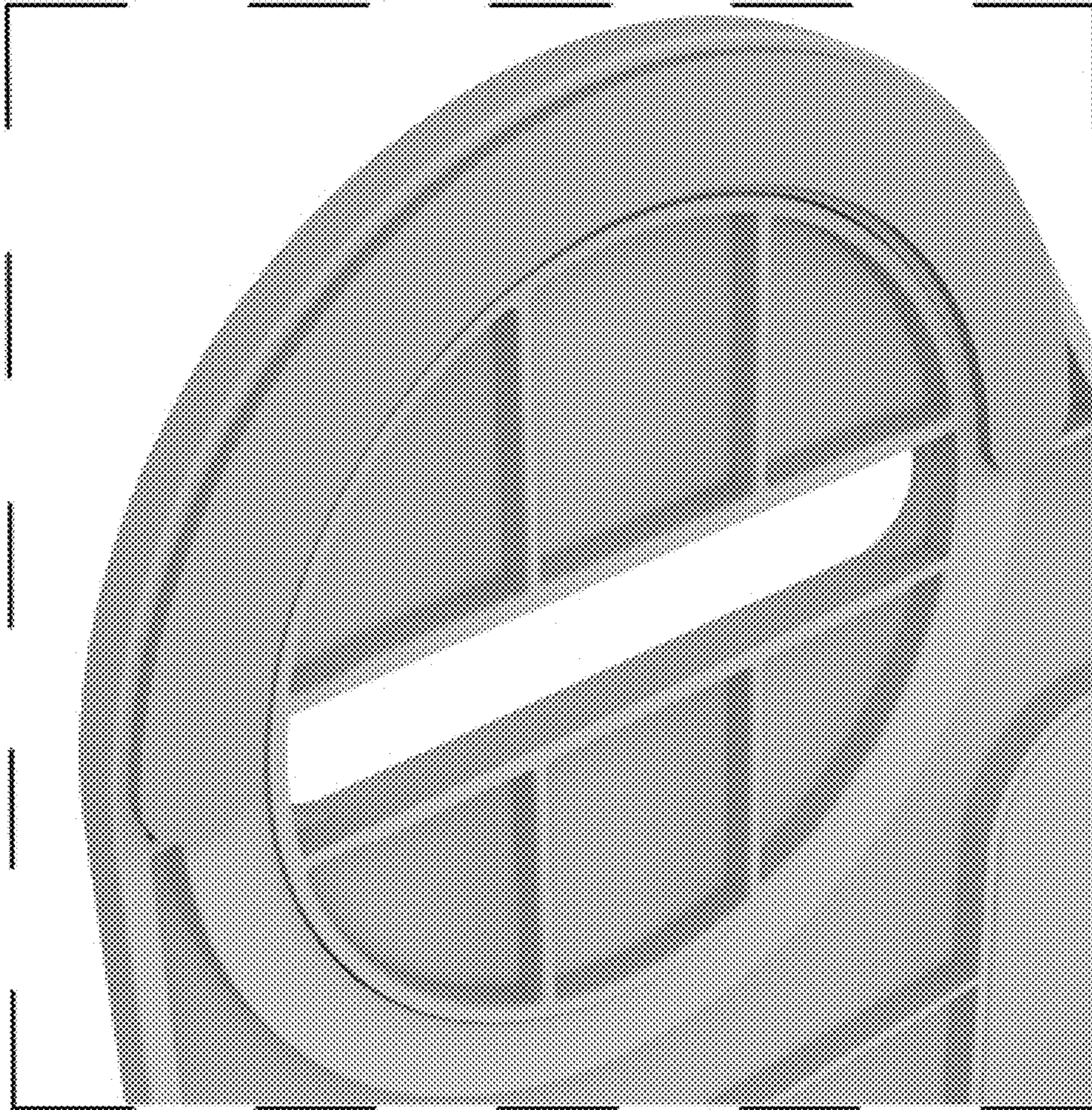


FIG.21

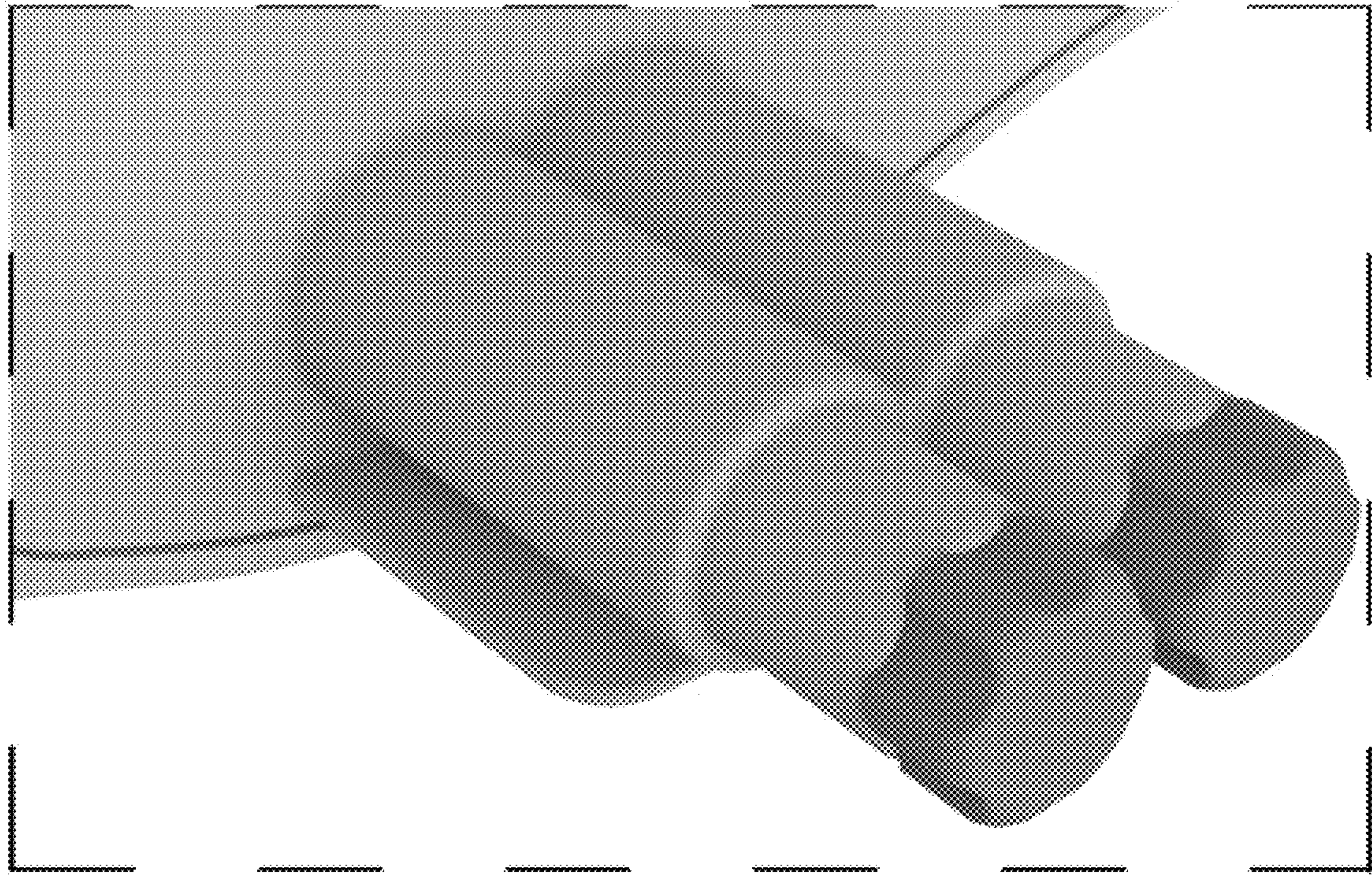


FIG.22

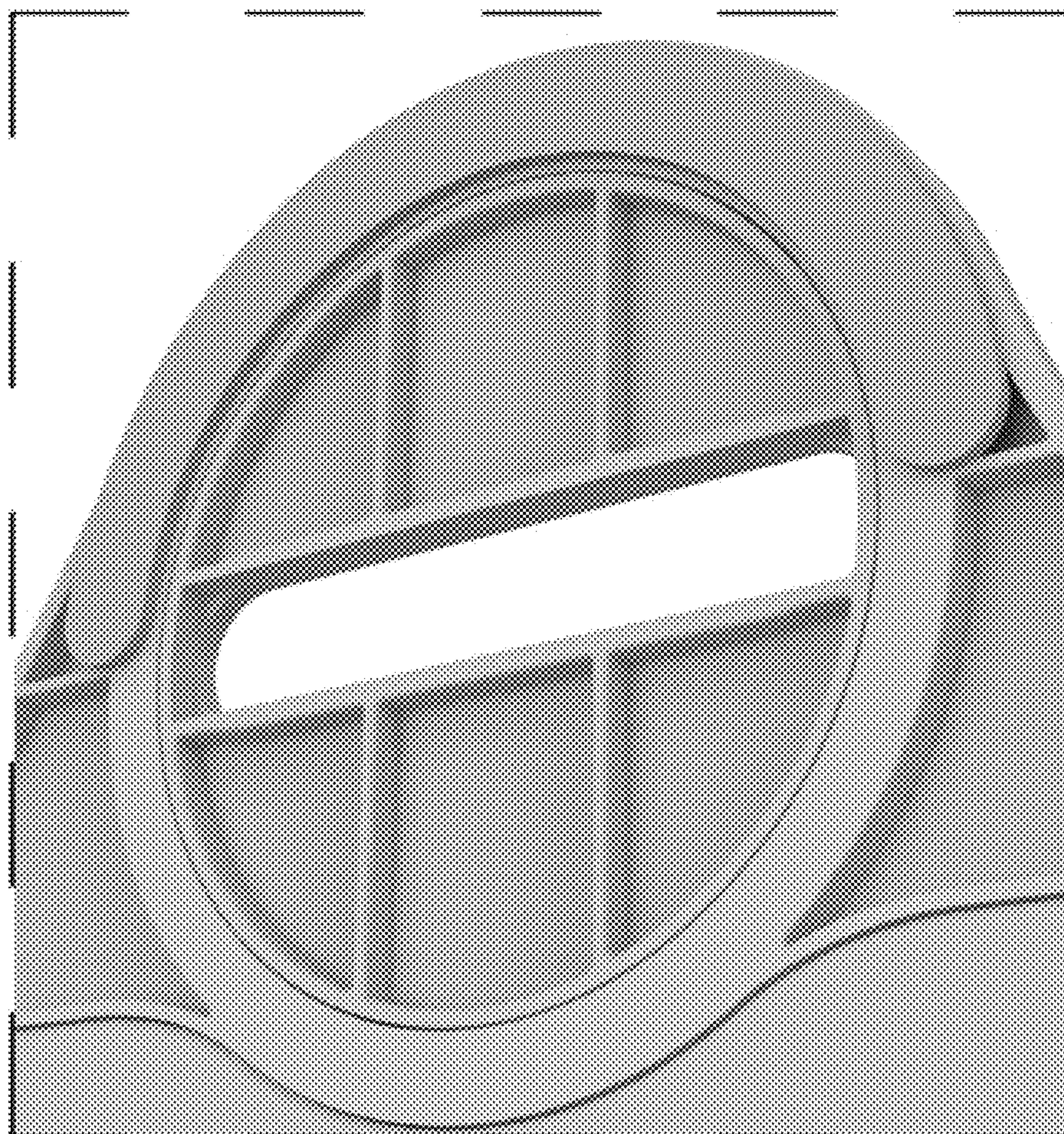


FIG.23

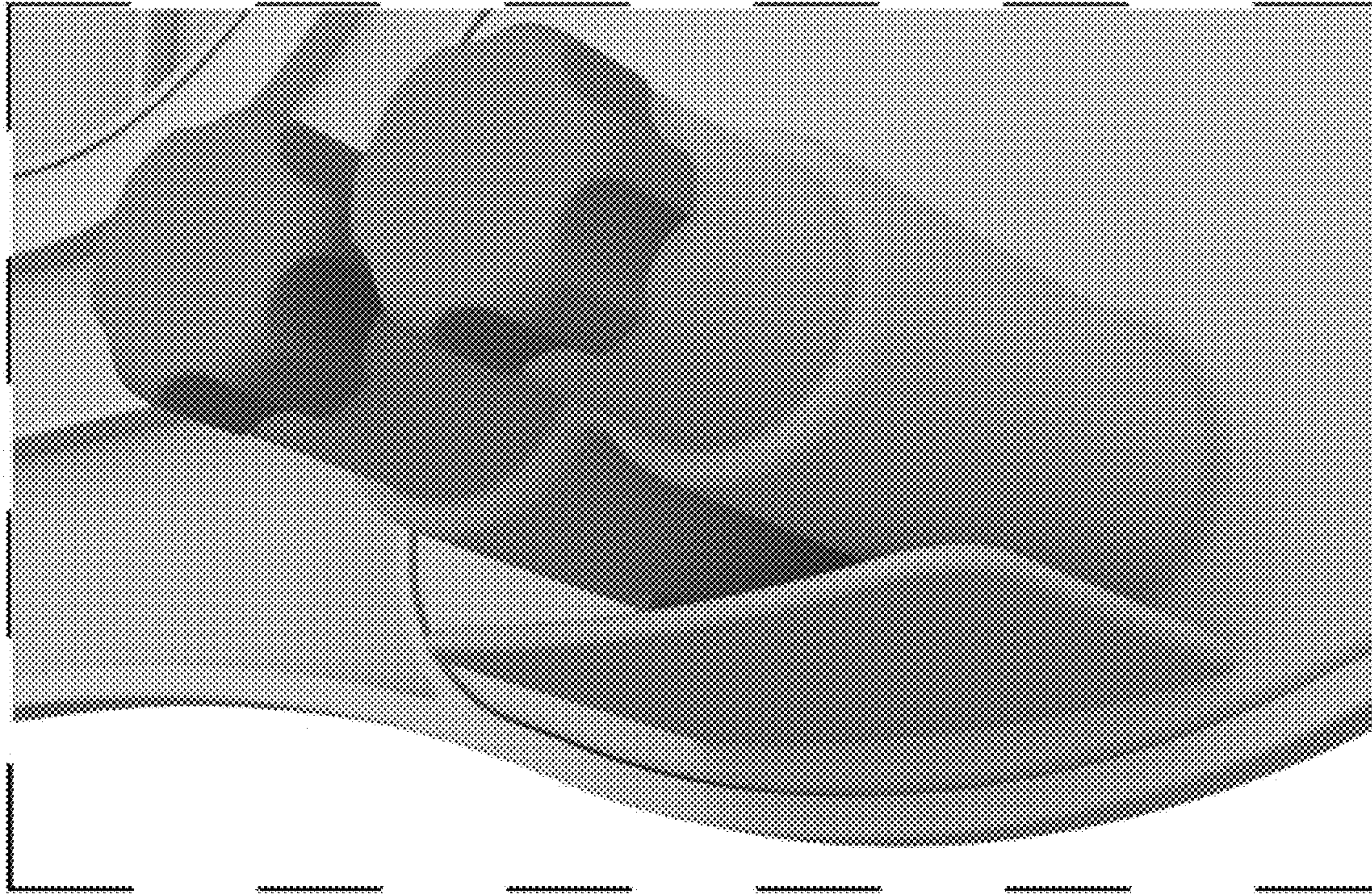


FIG.24

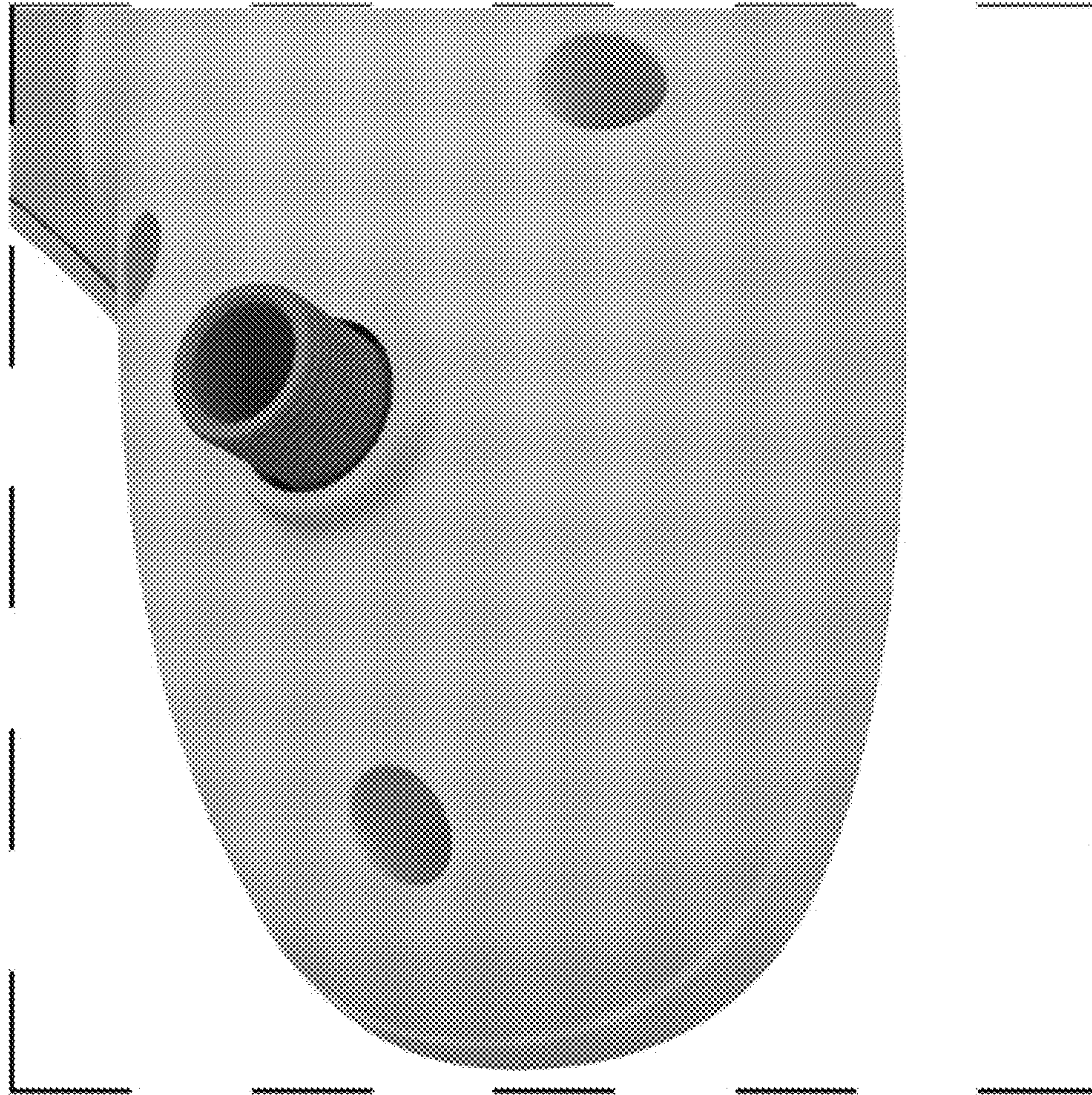


FIG.25

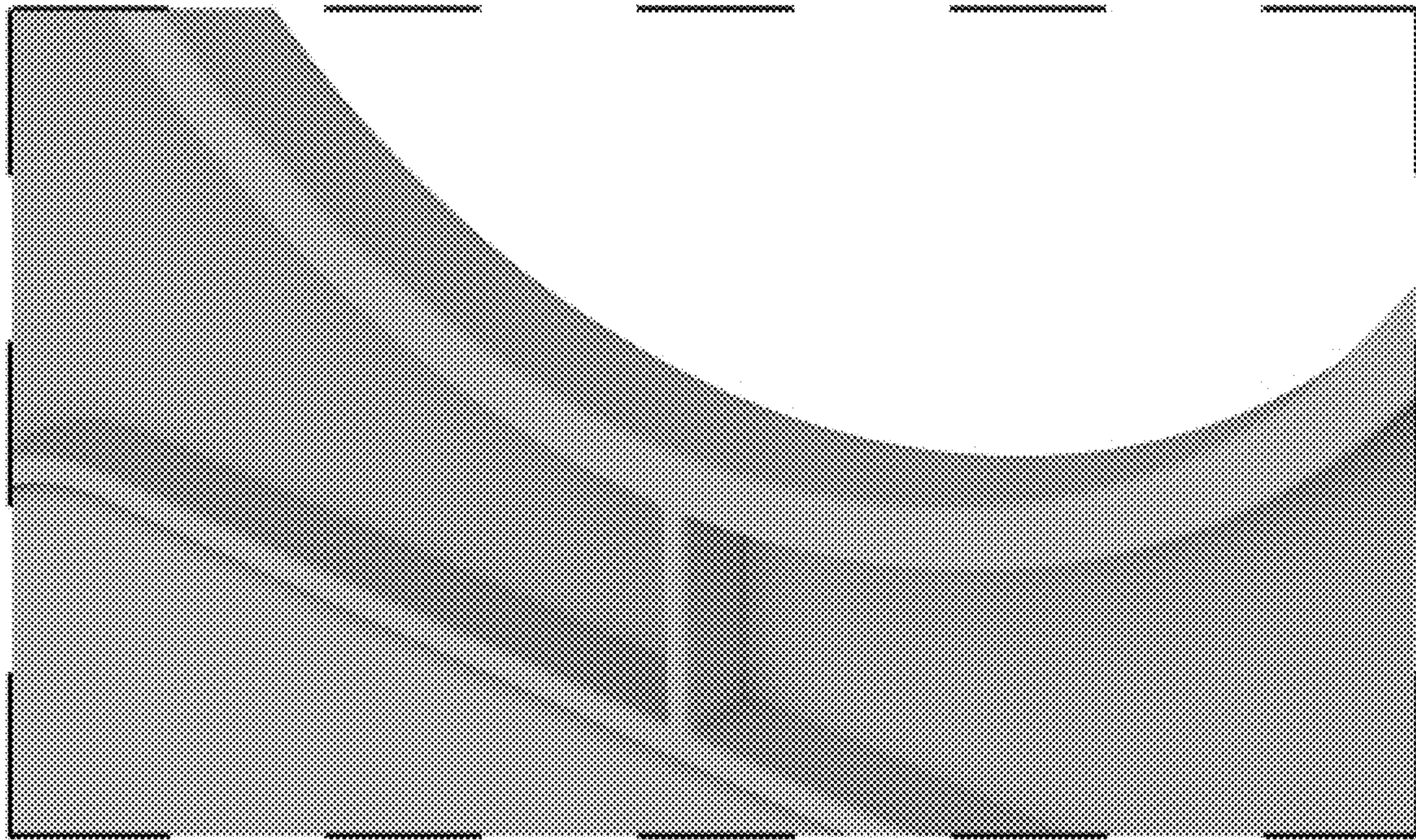


FIG.26

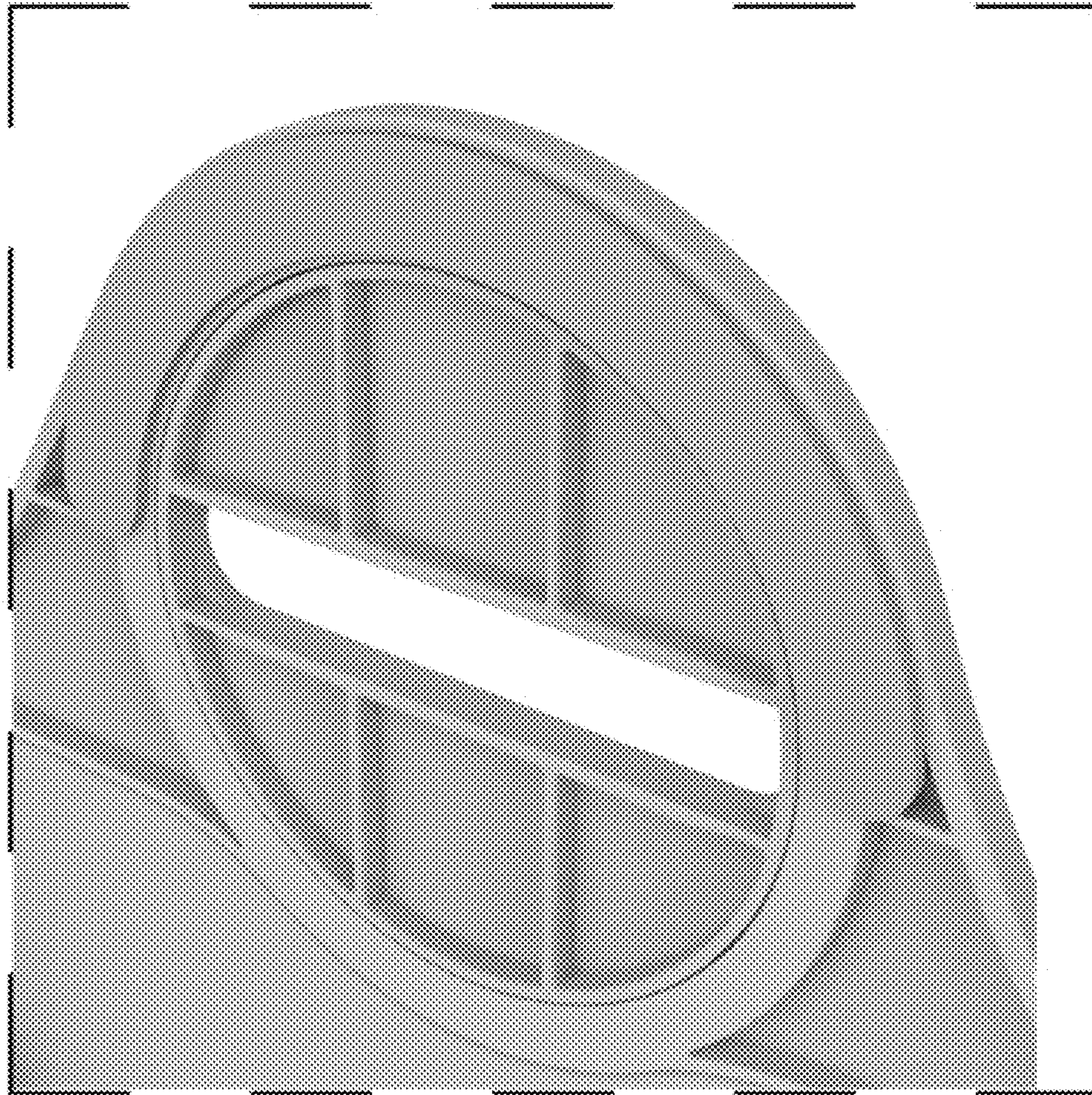


FIG.27

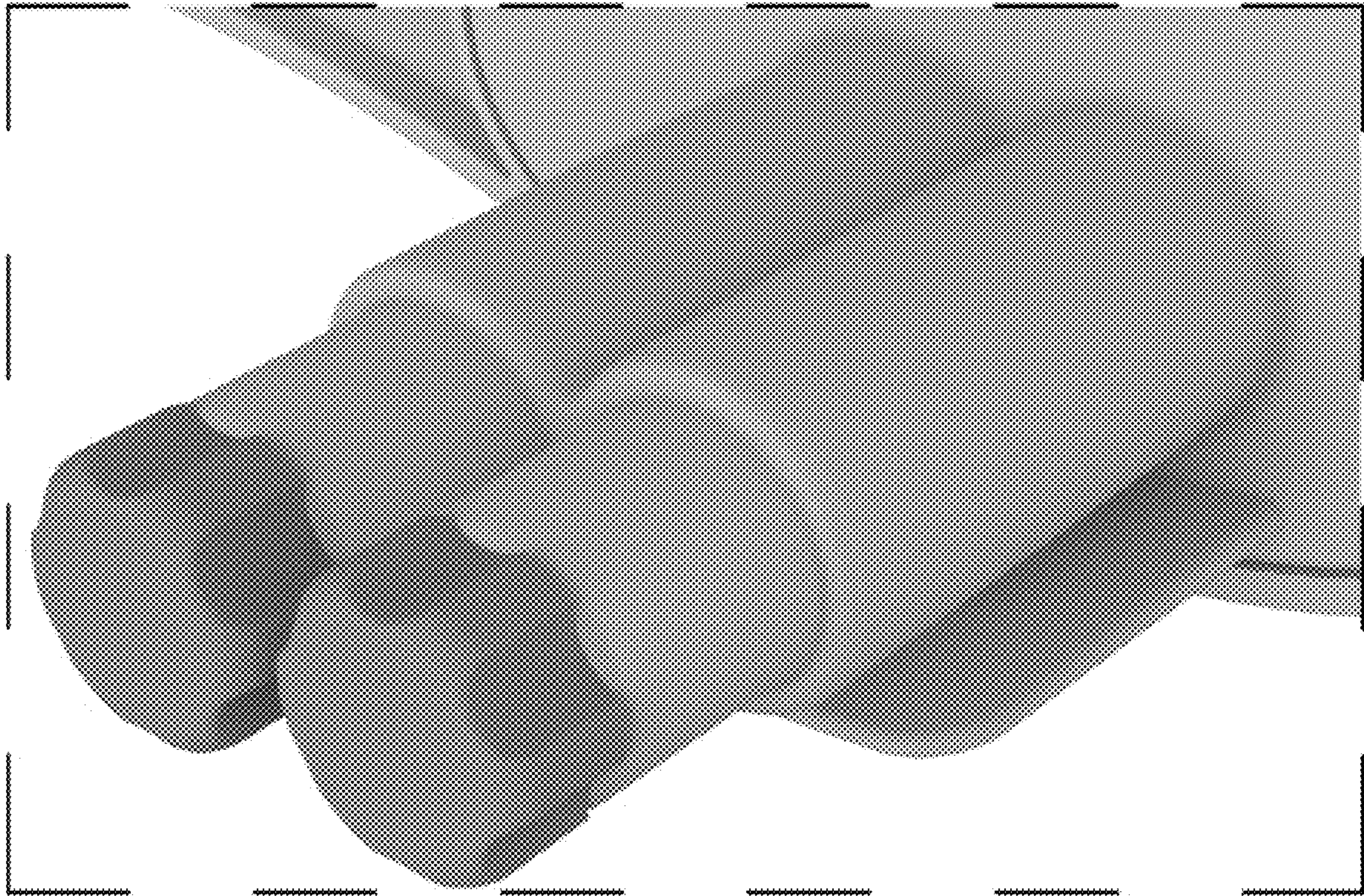


FIG.28

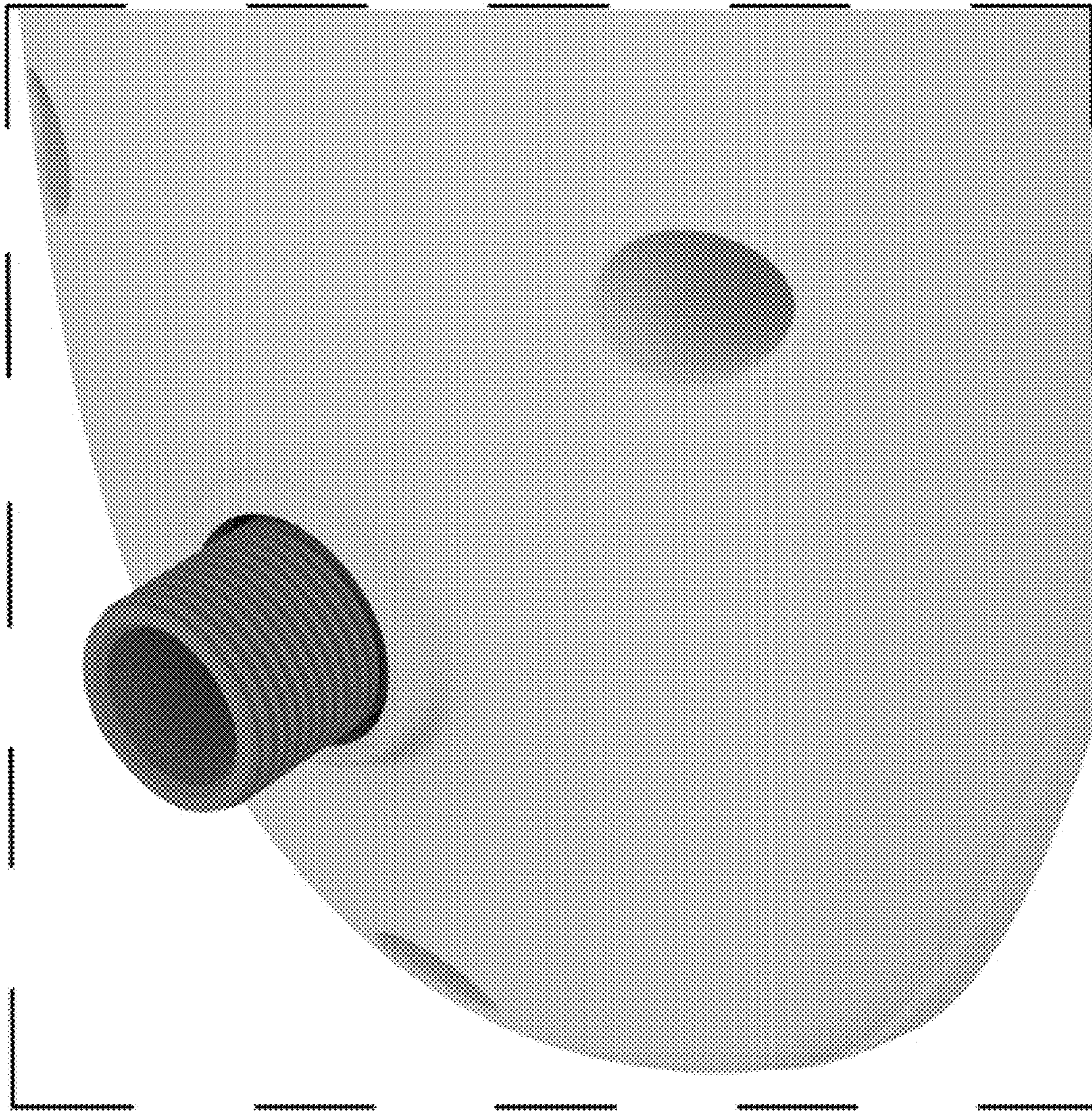


FIG.29

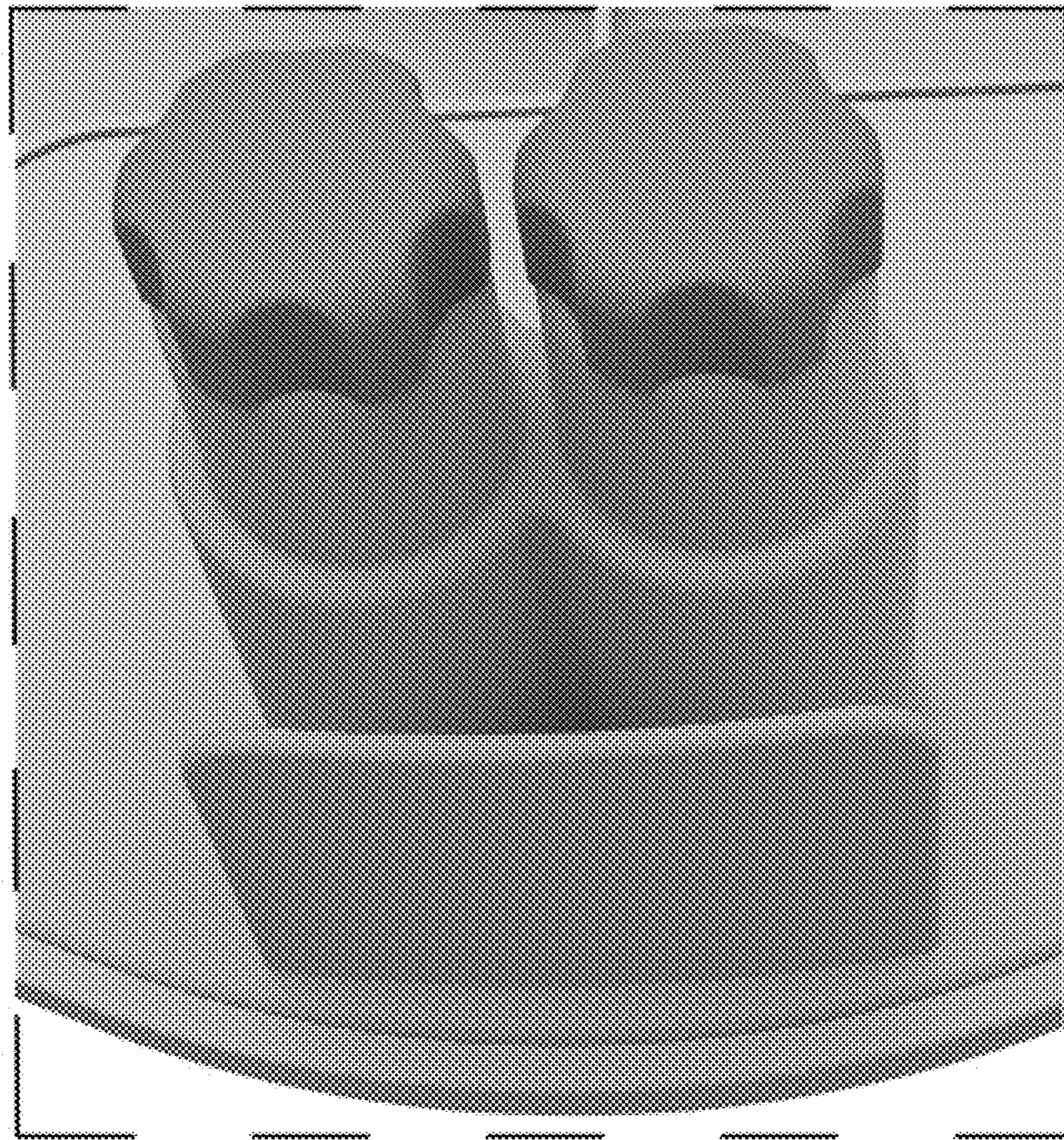


FIG.30

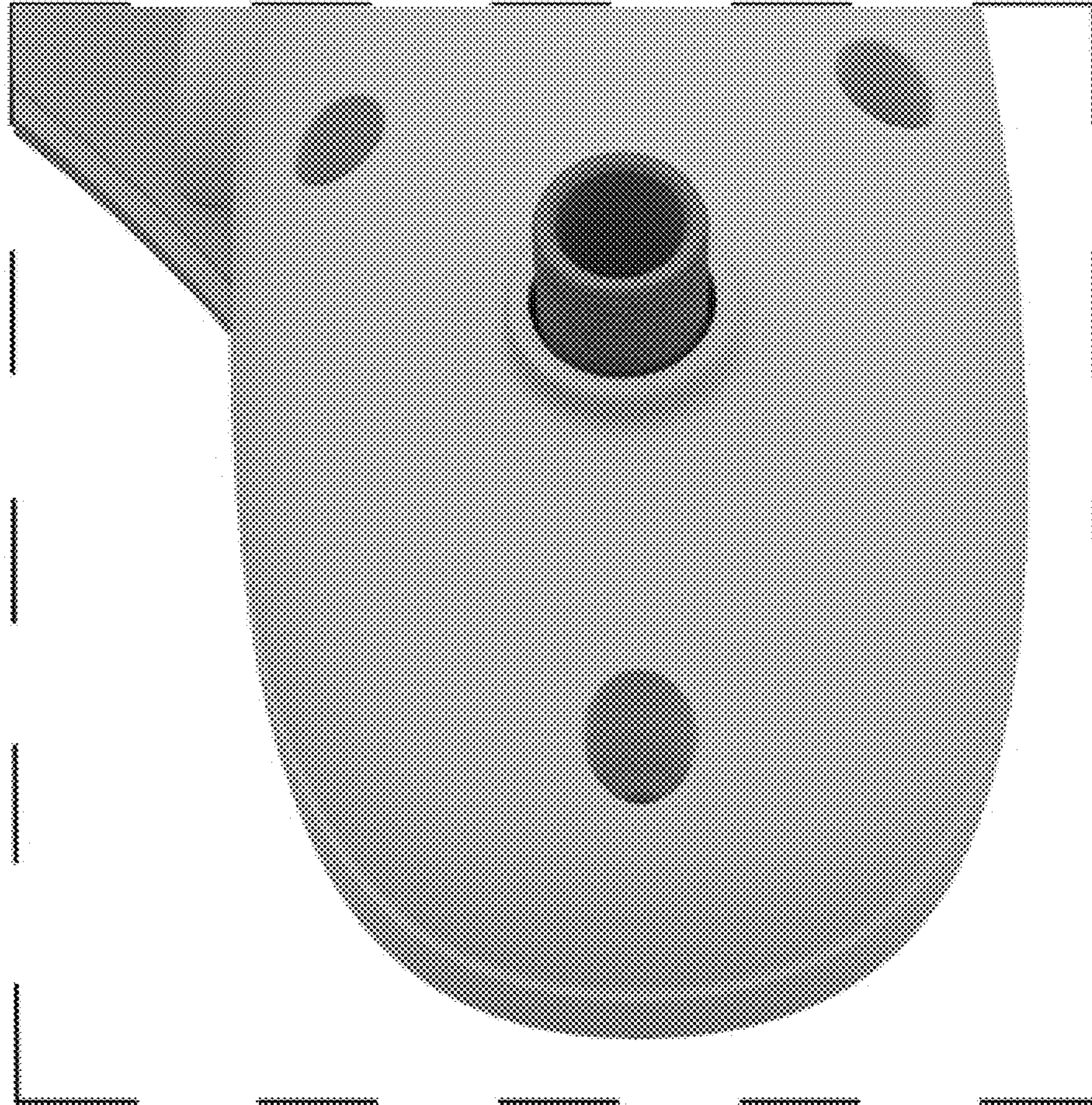


FIG.31

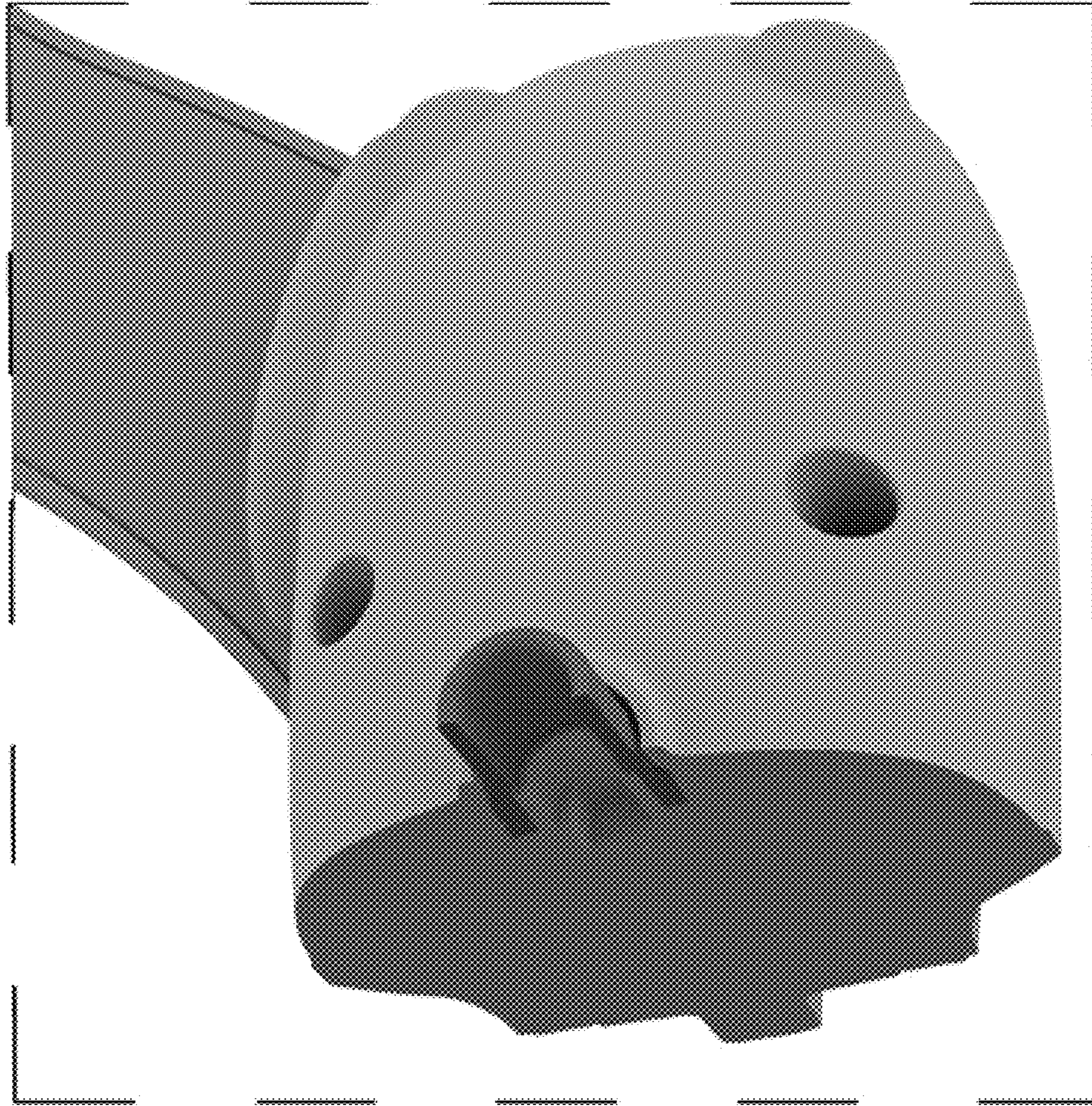


FIG.32

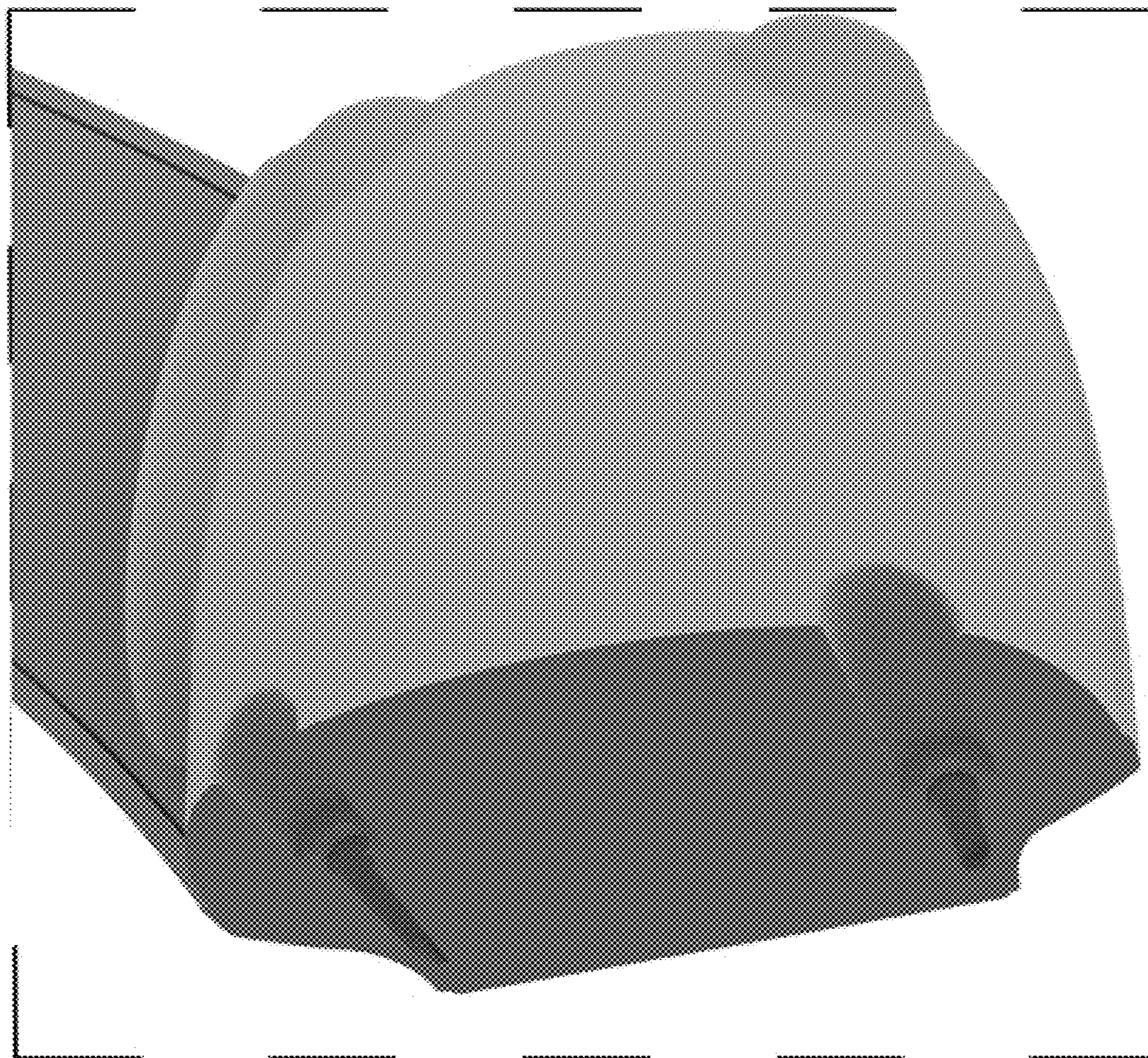


FIG.33

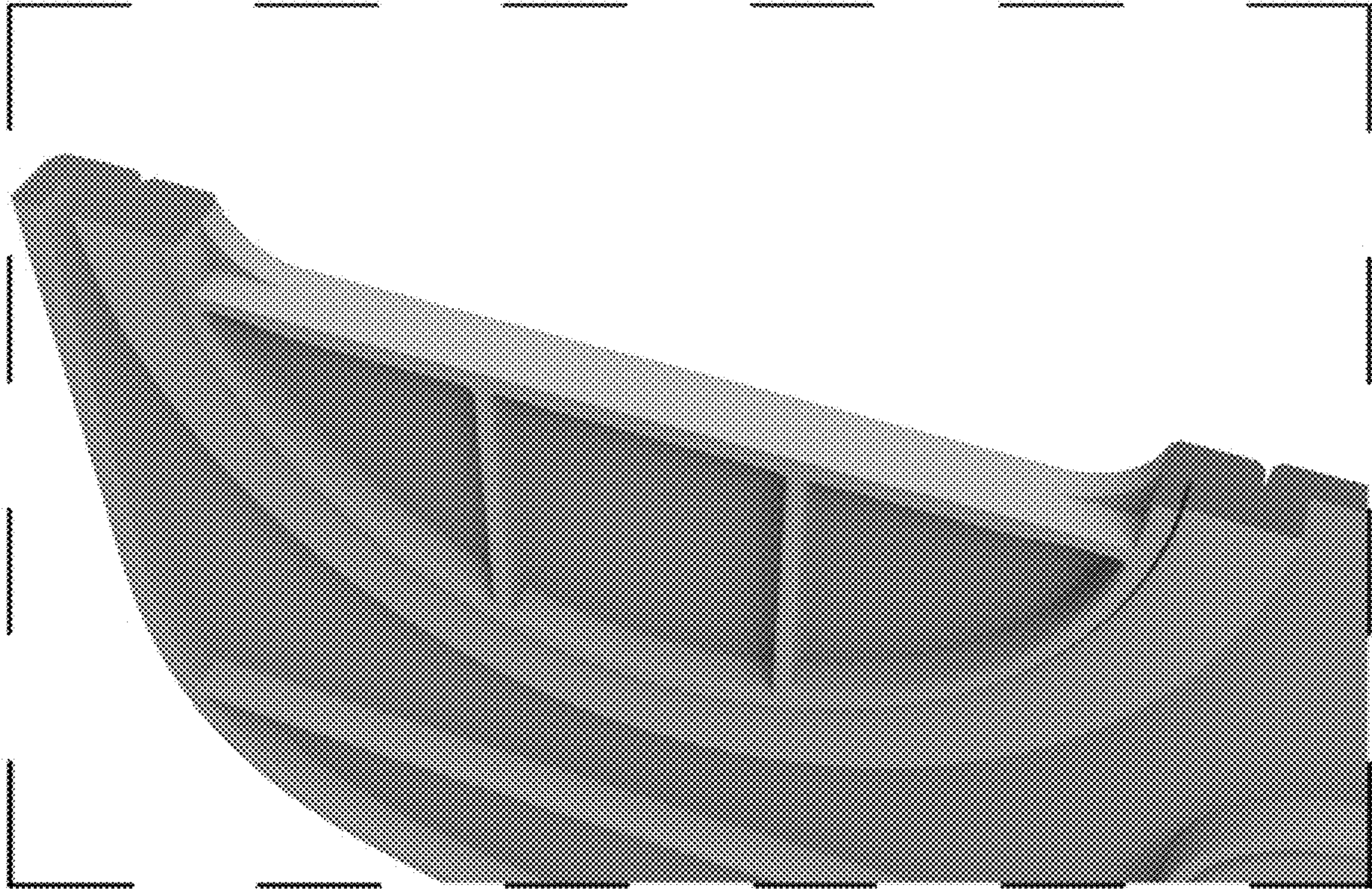


FIG.34

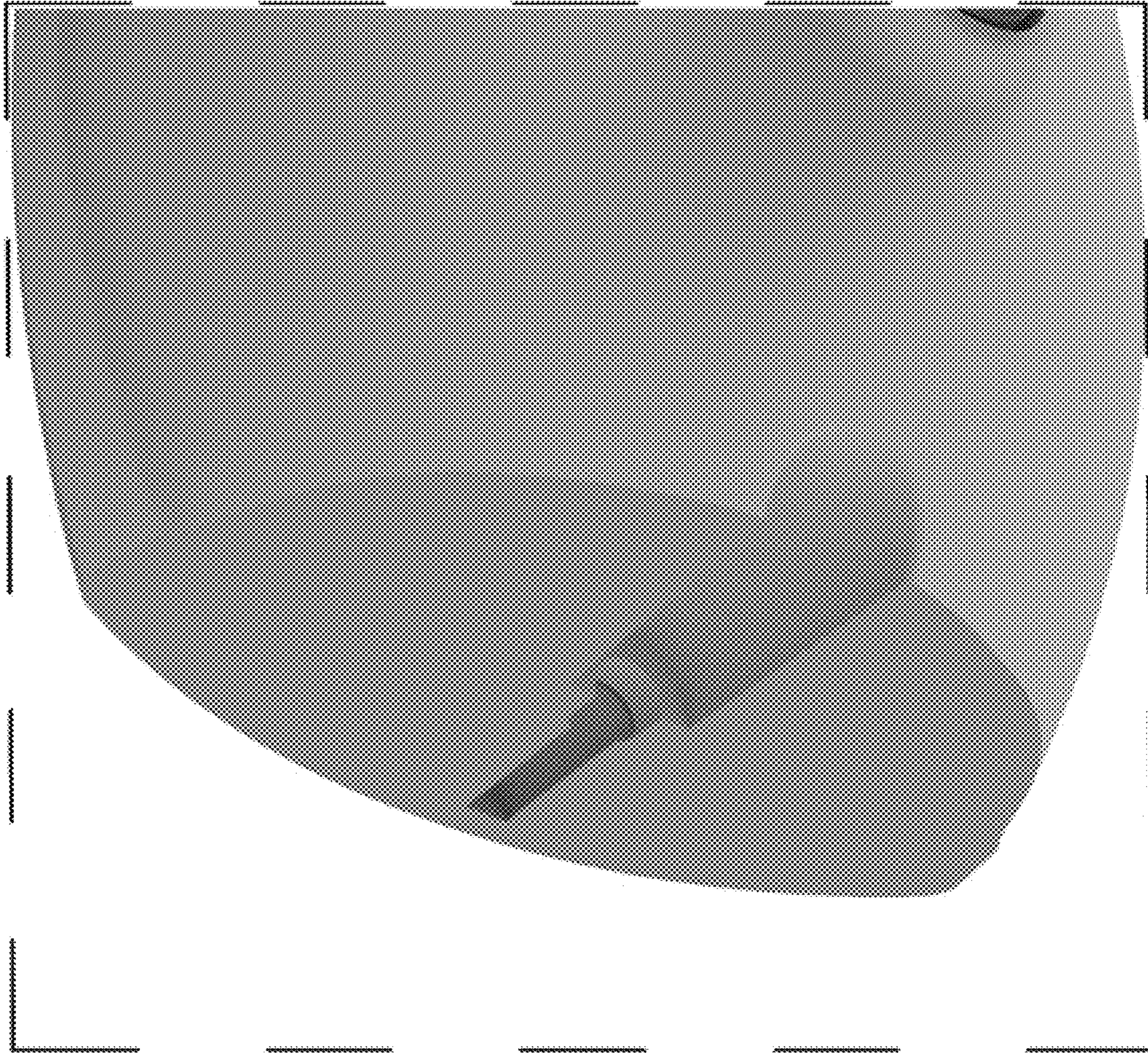


FIG.35

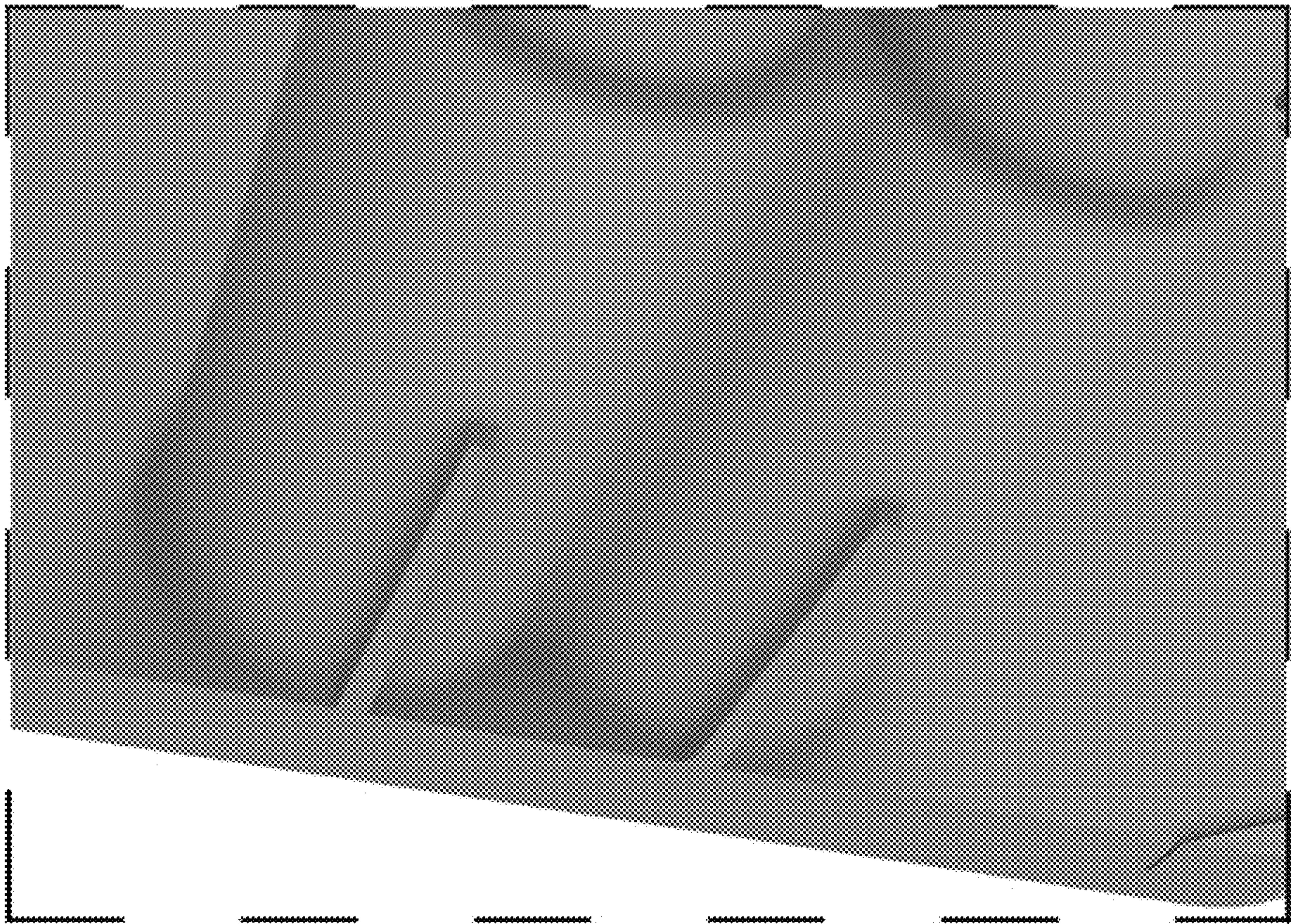


FIG.36