



US00D983945S

(12) **United States Design Patent** (10) **Patent No.:** **US D983,945 S**
Chen (45) **Date of Patent:** **** Apr. 18, 2023**

(54) **TOILET SEAT FOR CHILDREN**

(71) Applicant: **Yanguo Chen**, Zhejiang (CN)

(72) Inventor: **Yanguo Chen**, Zhejiang (CN)

(**) Term: **15 Years**

(21) Appl. No.: **29/862,418**

(22) Filed: **Dec. 8, 2022**

(51) **LOC (14) Cl.** **23-02**

(52) **U.S. Cl.**

USPC **D23/296**

(58) **Field of Classification Search**

USPC D23/296, 309, 311; D6/339, 259,
D6/708.19; D25/63-64, 69

See application file for complete search history.

(56) **References Cited**

U.S. PATENT DOCUMENTS

D310,869 S	9/1990	Sedlack	
D324,906 S	3/1992	Barnett	
D336,789 S *	6/1993	Yang	D21/600
D485,998 S *	2/2004	Bourget	D6/359
6,698,036 B2 *	3/2004	Armbruster	A47K 13/06 4/483
D490,991 S *	6/2004	Desnos	D6/333
D594,564 S *	6/2009	Disch	D25/69
D618,321 S *	6/2010	Yeung	D23/296
D904,584 S *	12/2020	Stroikov	D23/296
D918,354 S *	5/2021	Xu	D23/296
D976,375 S *	1/2023	Jin	D23/296

FOREIGN PATENT DOCUMENTS

CA	2393097 A1 *	4/2003	A47K 11/06
WO	WO-2015142413 A1 *	9/2015	A47K 11/04

OTHER PUBLICATIONS

Toddler Baby Frog Cartoon Folding Ladder Potty Chair; https://www.aliexpress.us/item/3256803240167000.html?gatewayAdapt=glo2usa4itemAdapt&_randl_shipto=US (Year: 2022).*

* cited by examiner

Primary Examiner — Robert A Delehanty

(74) *Attorney, Agent, or Firm* — ScienBiziP, P.C.

(57) **CLAIM**

The ornamental design for a toilet seat for children, as shown and described.

DESCRIPTION

FIG. 1 is a front, right and top perspective view of a toilet seat for children, showing my design.

FIG. 2 is a rear, left and bottom perspective view thereof.

FIG. 3 is a front elevation view thereof.

FIG. 4 is a rear elevation view thereof.

FIG. 5 is a left side elevation view thereof.

FIG. 6 is a right side elevation view thereof.

FIG. 7 is a top plan view thereof.

FIG. 8 is a bottom plan view thereof.

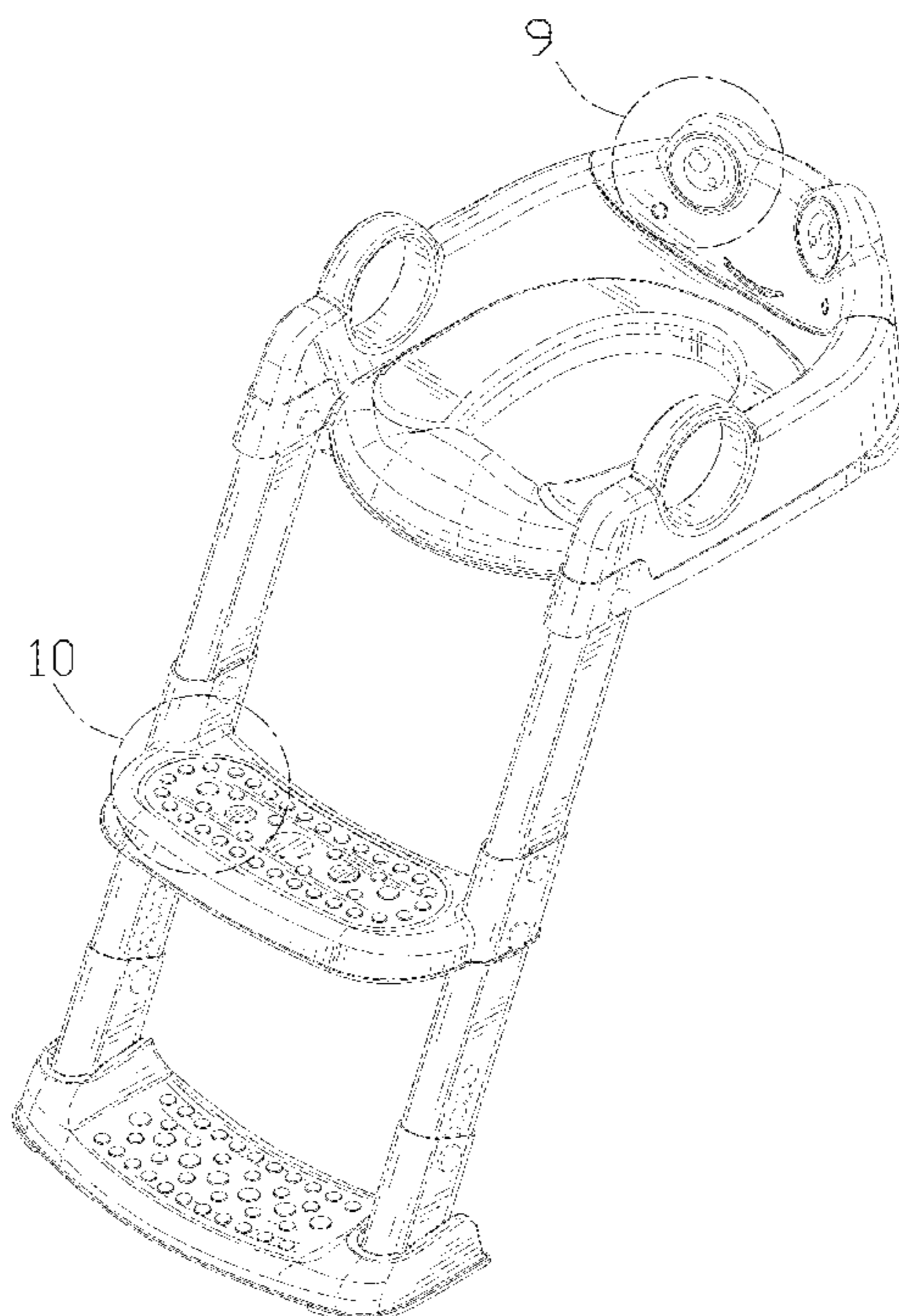
FIG. 9 is an enlarged view of detail 9 in FIG. 1.

FIG. 10 is an enlarged view of detail 10 in FIG. 1; and,

FIG. 11 is an enlarged view of detail 11 in FIG. 2.

The broken lines depict portions of the toilet seat for children that form no part of the claimed design. The dot-dash broken lines in FIGS. 1-2 and 9-11 depict the boundaries of the enlargements that form no part of the claimed design.

1 Claim, 11 Drawing Sheets



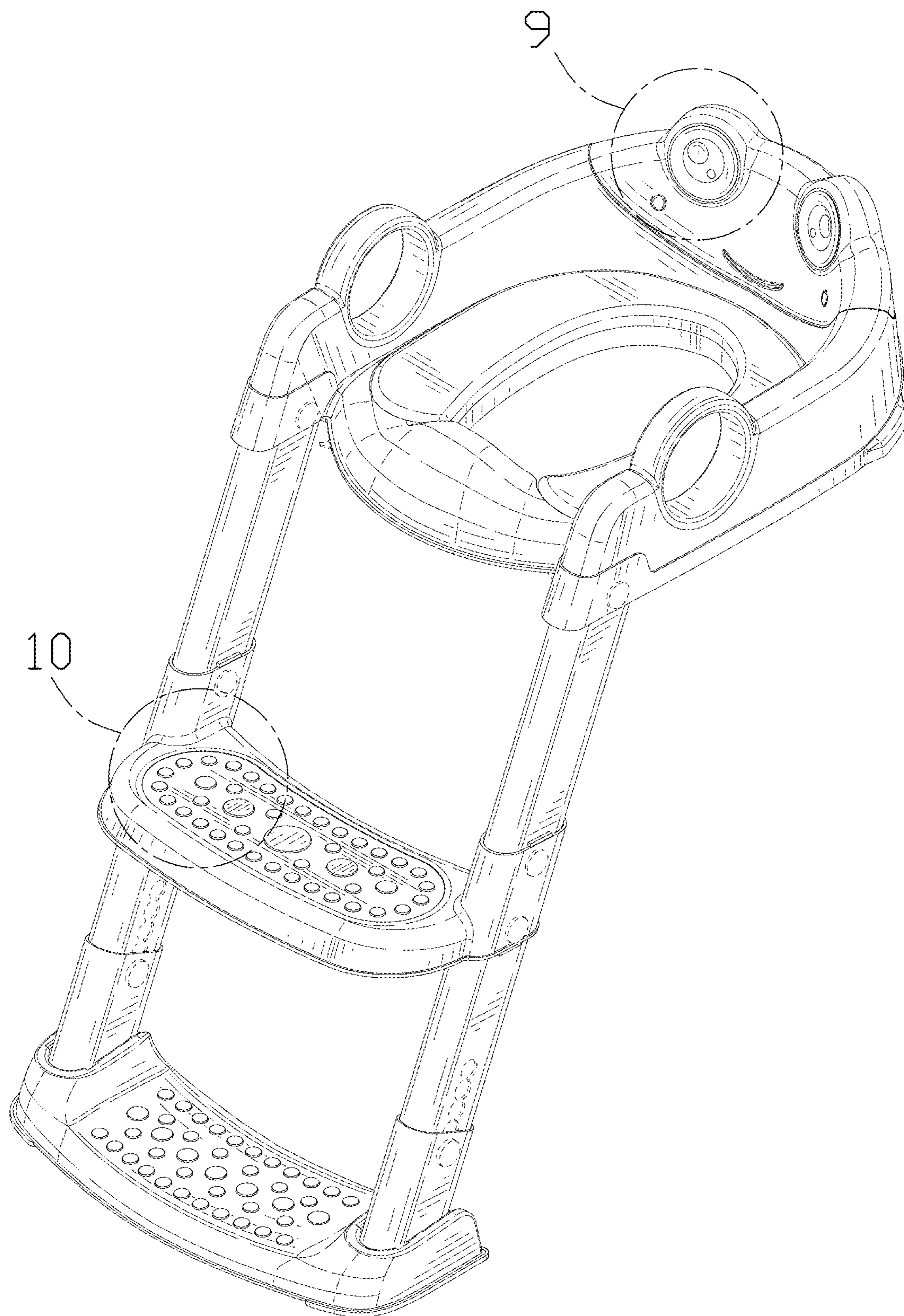


FIG. 1

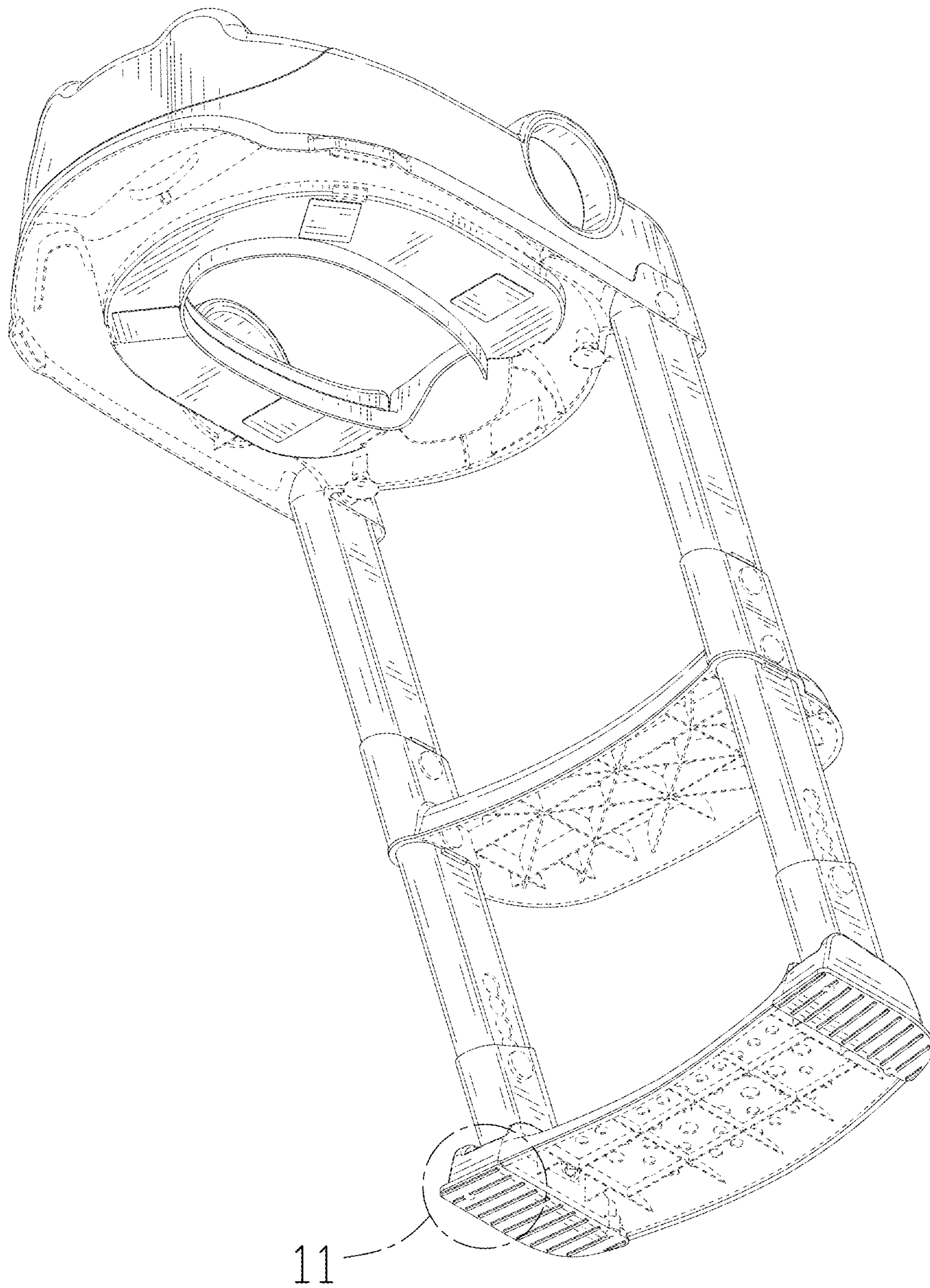


FIG. 2

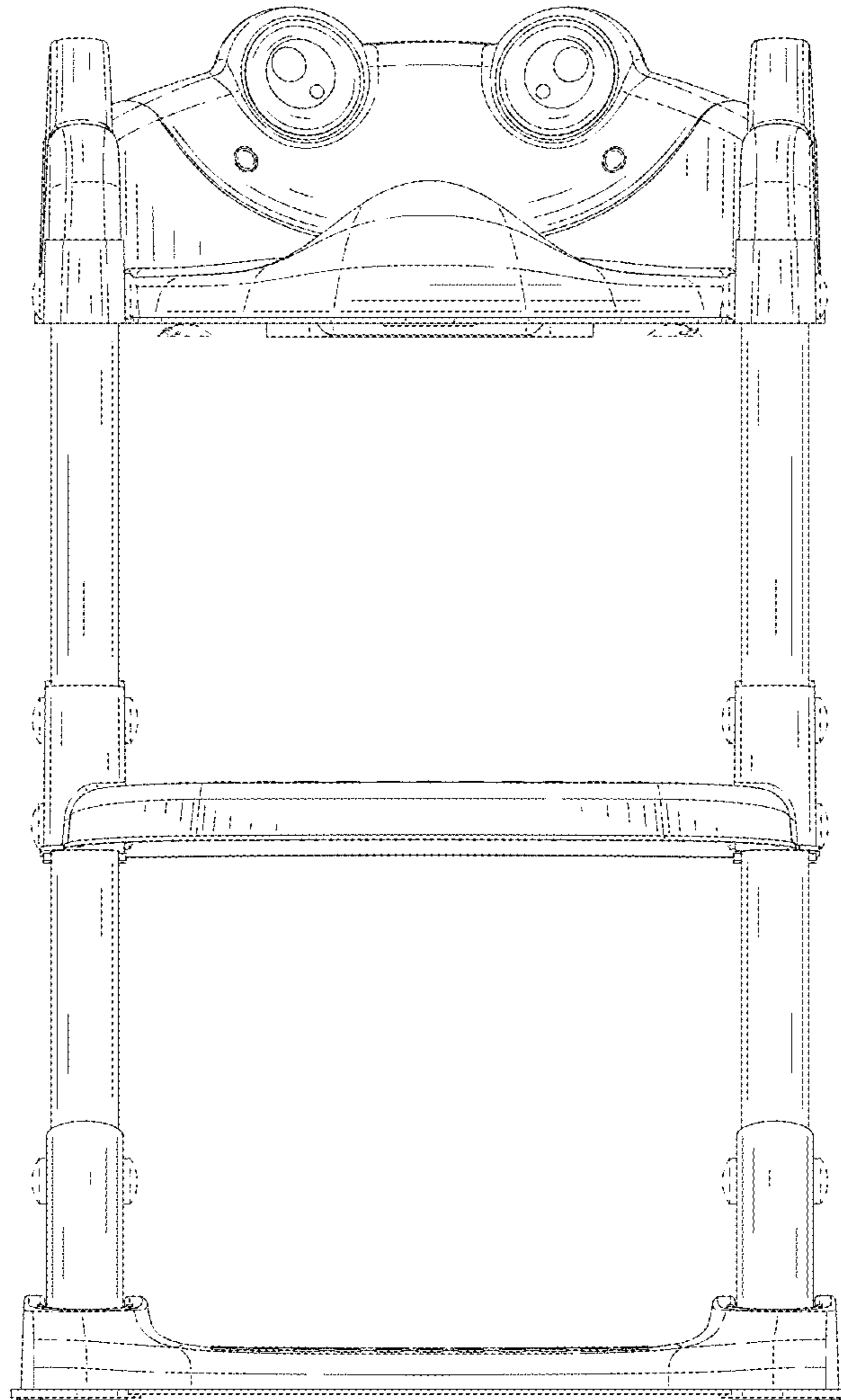


FIG. 3

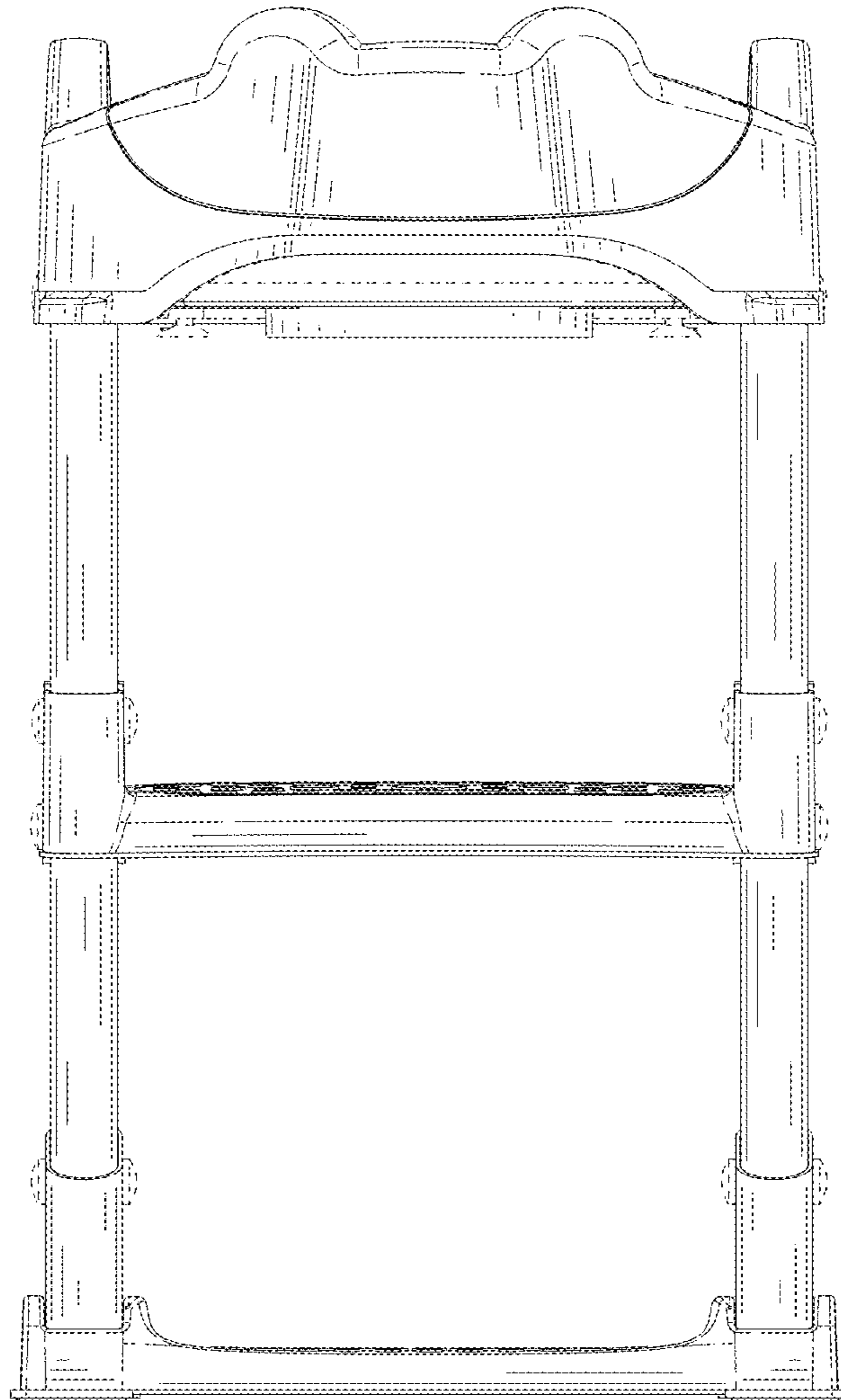


FIG. 4

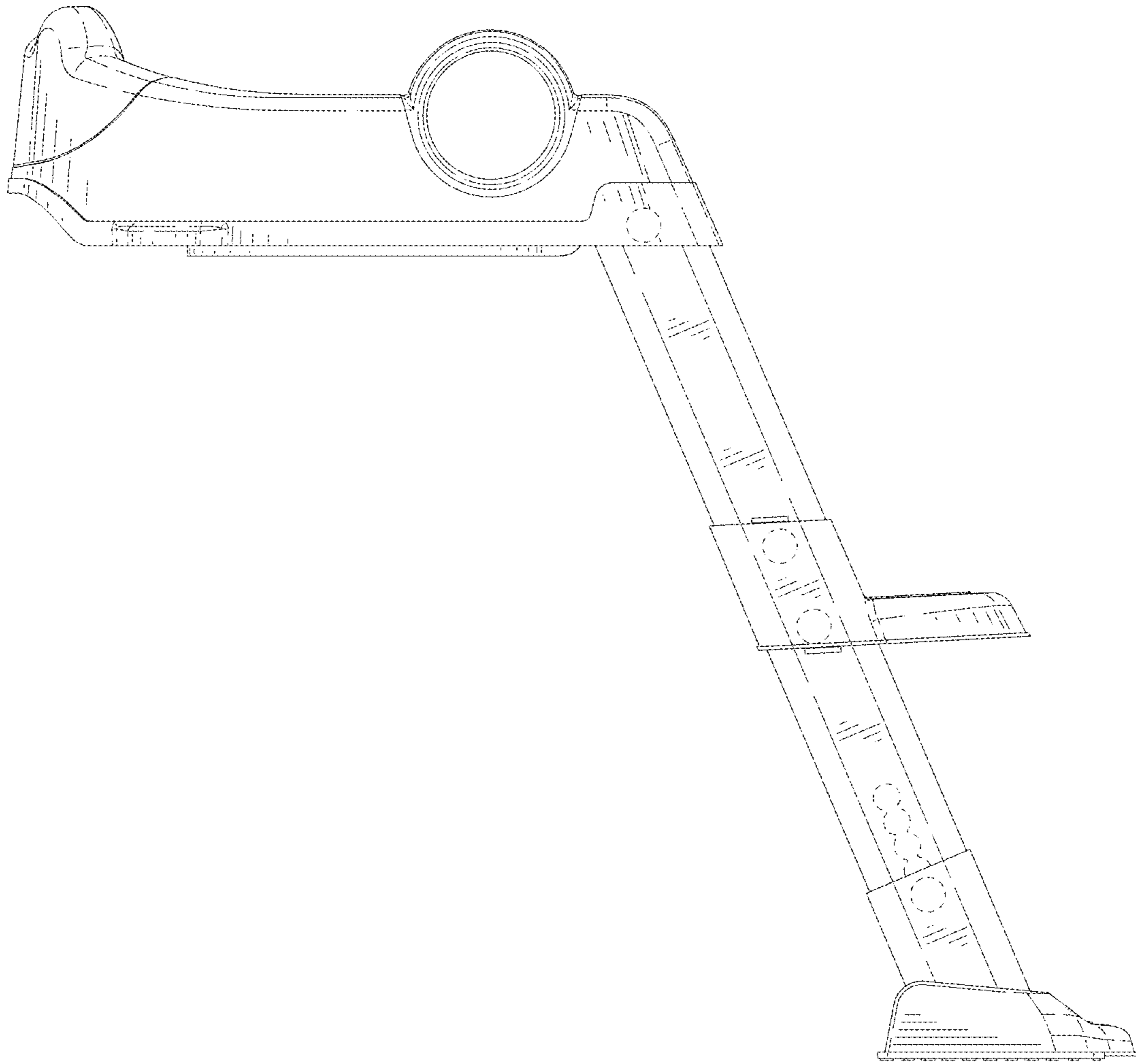


FIG. 5

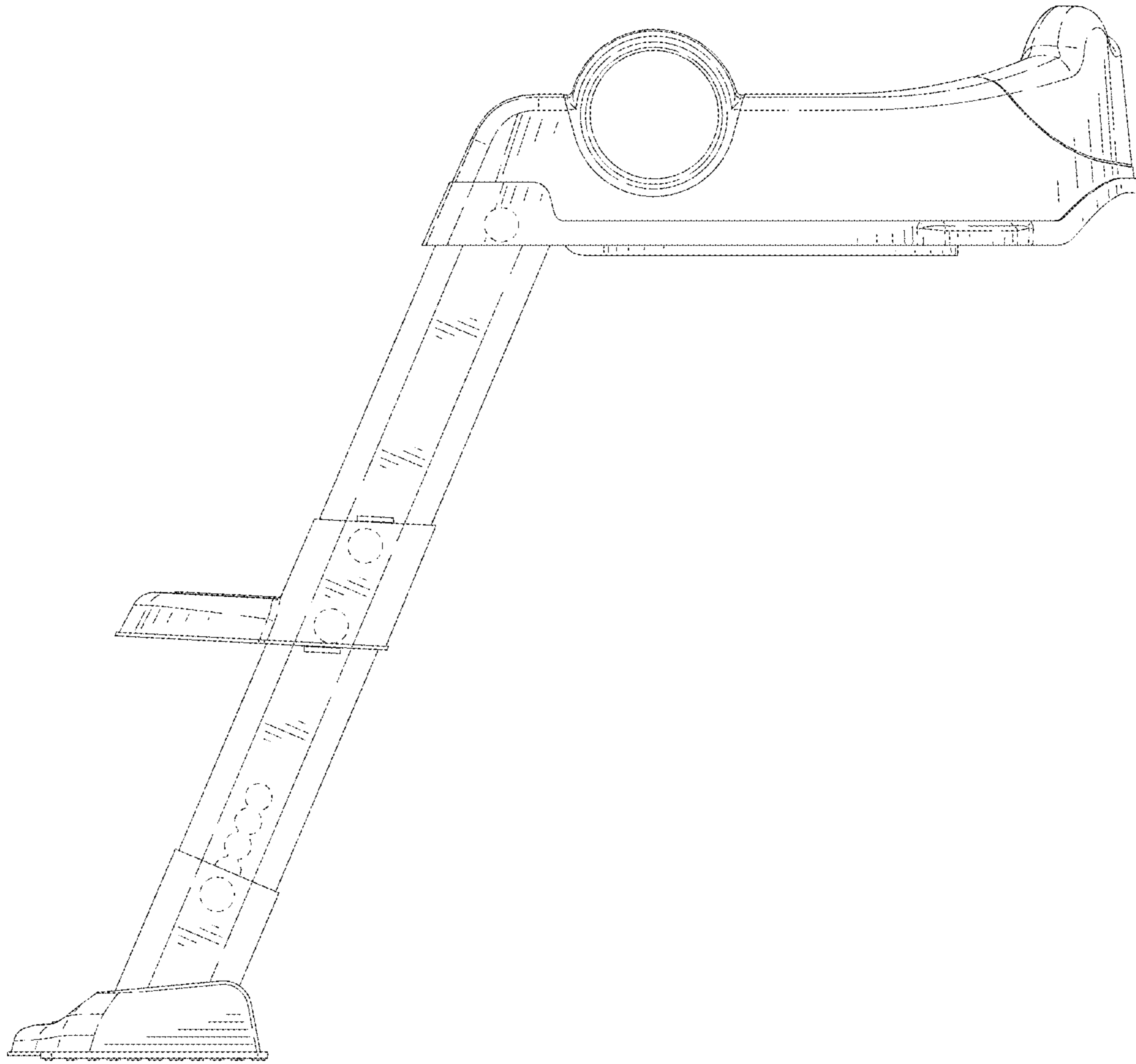


FIG. 6

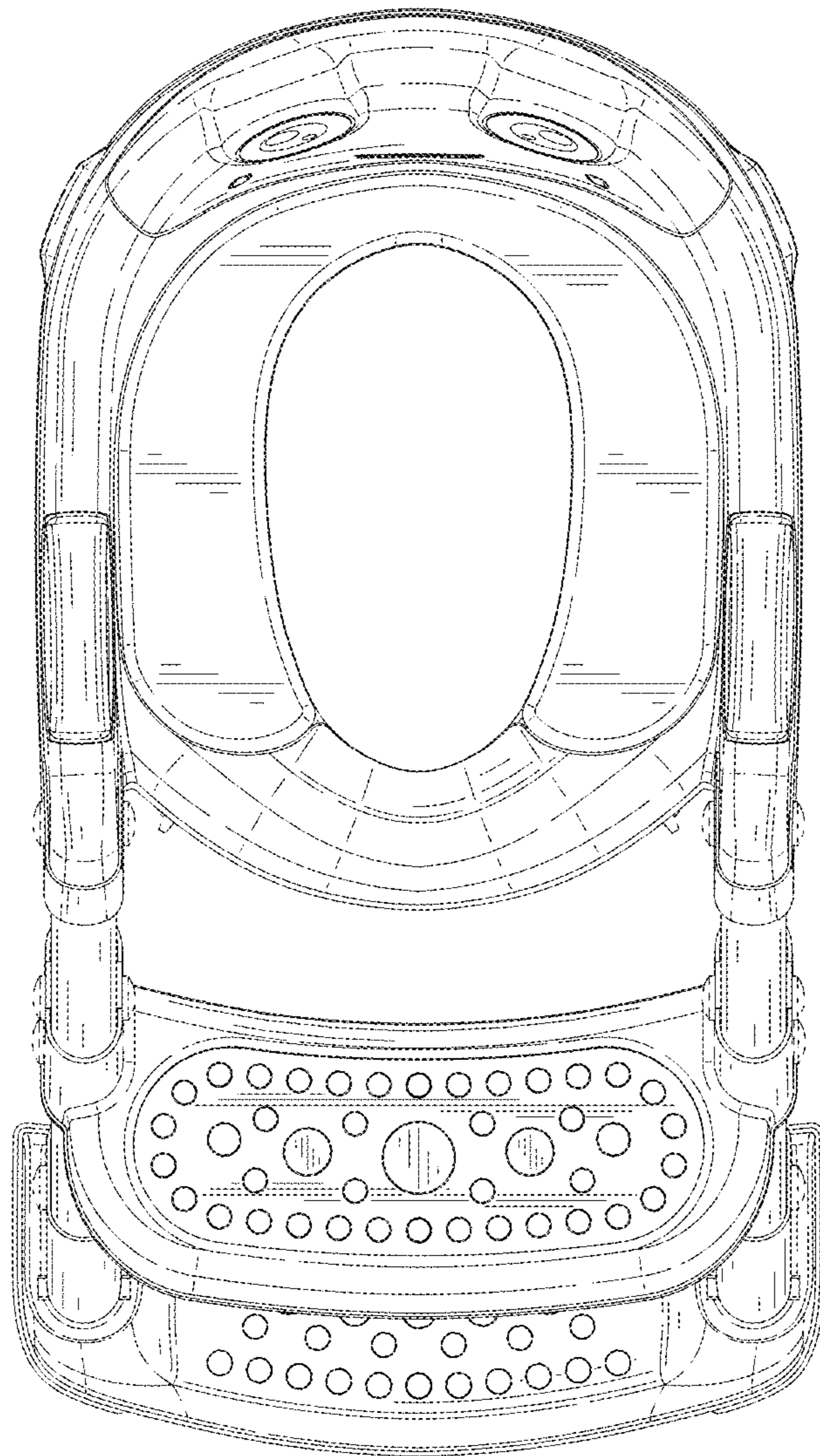


FIG. 7

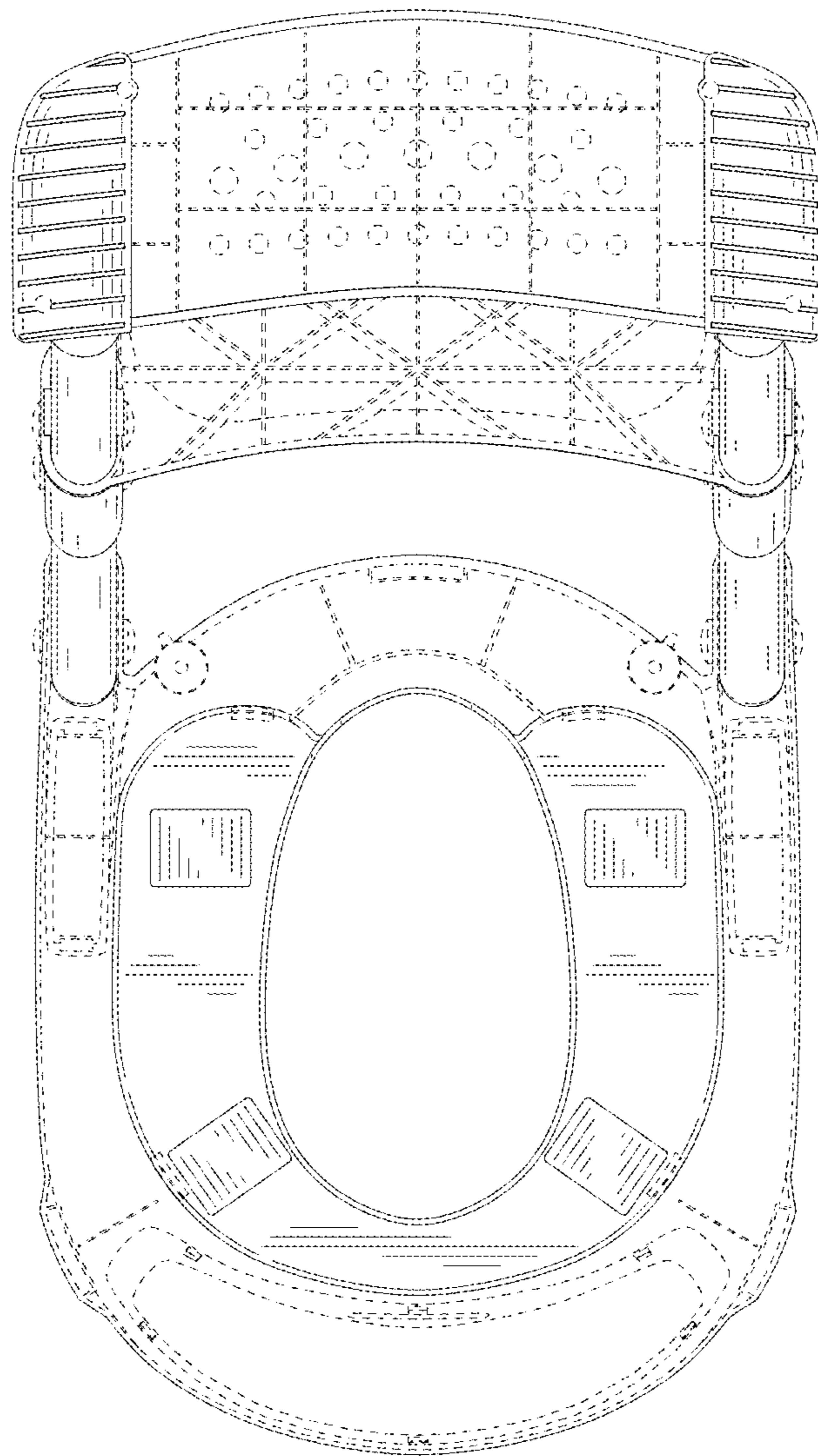


FIG. 8

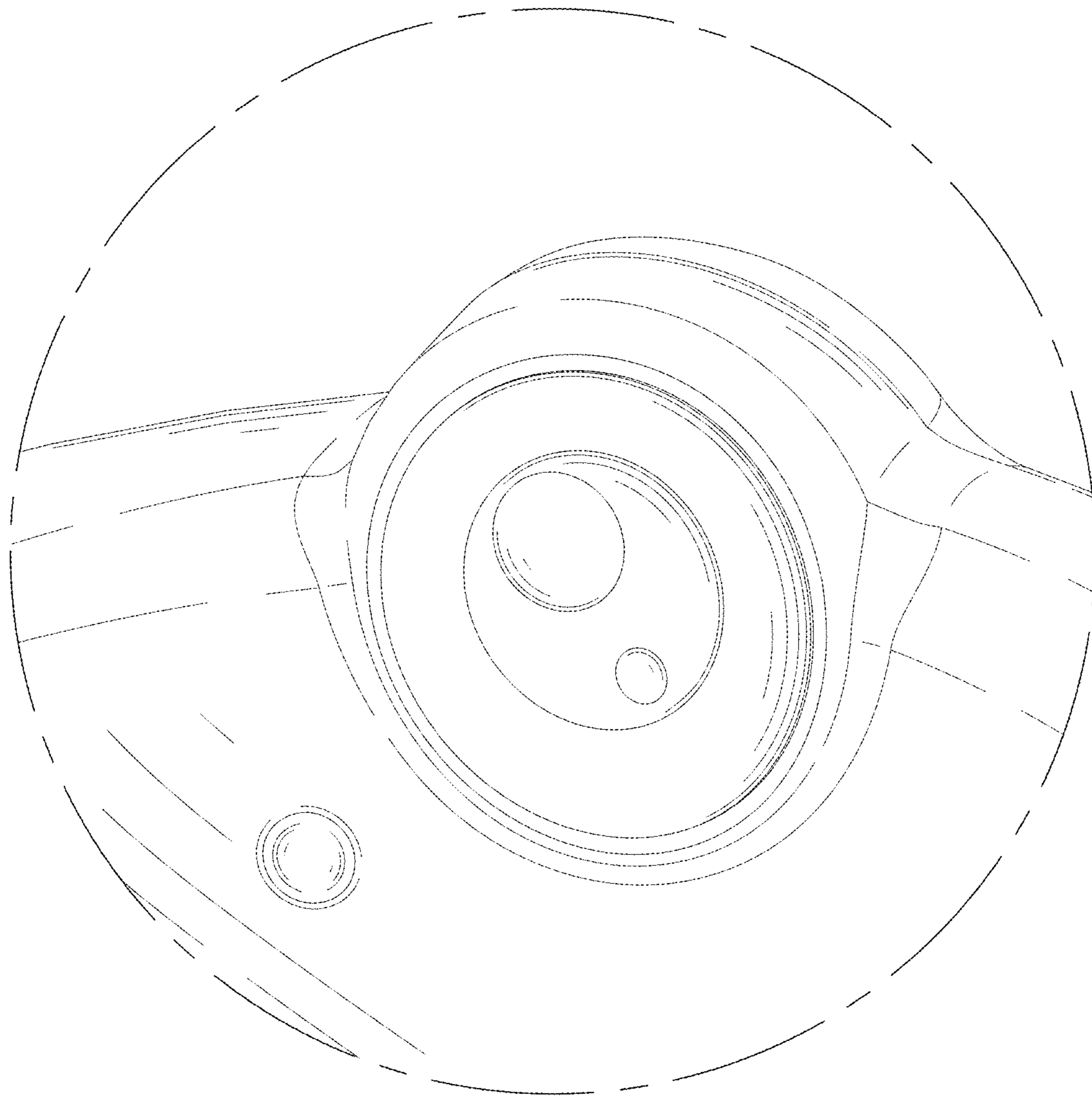


FIG. 9

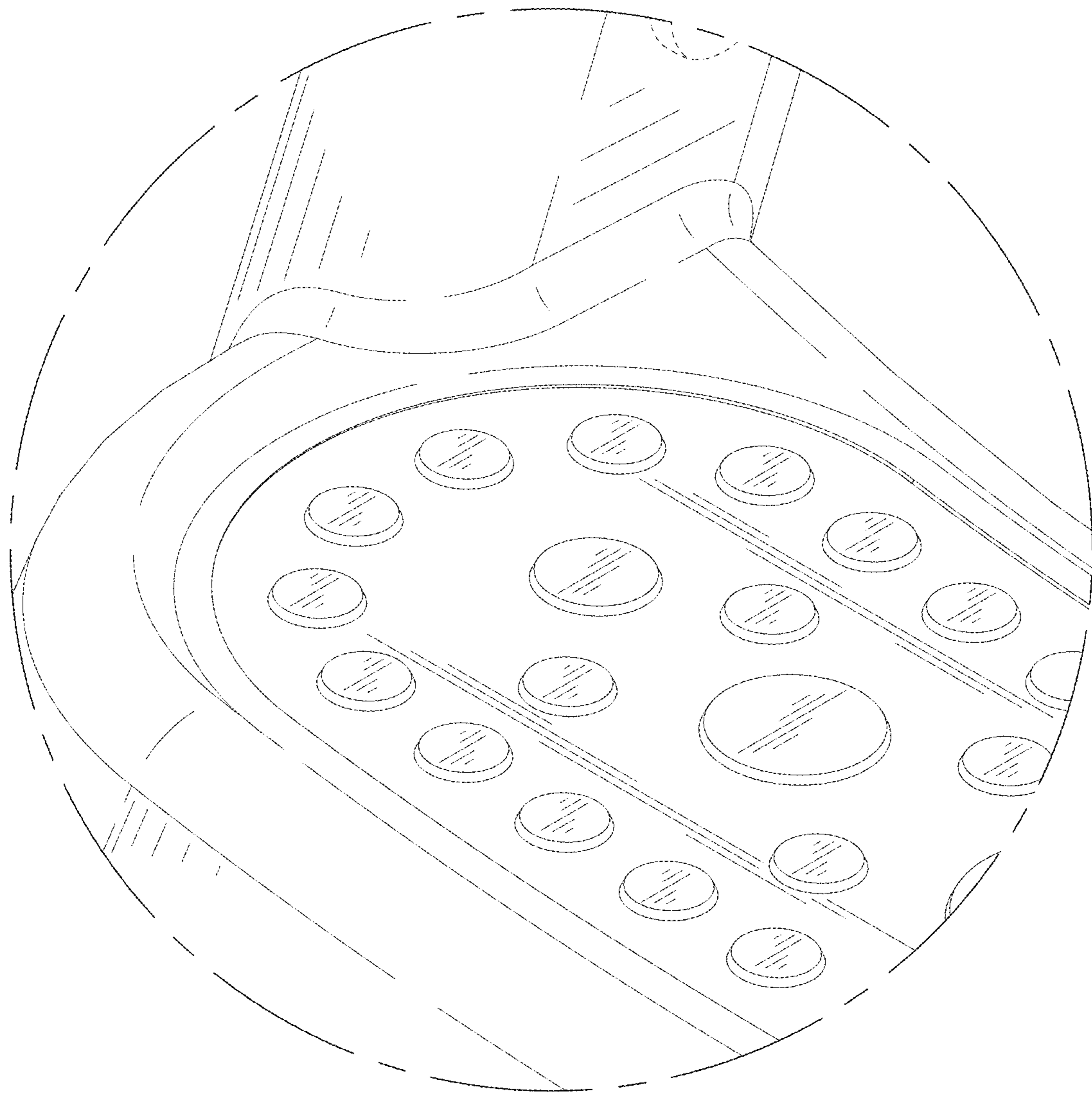


FIG. 10

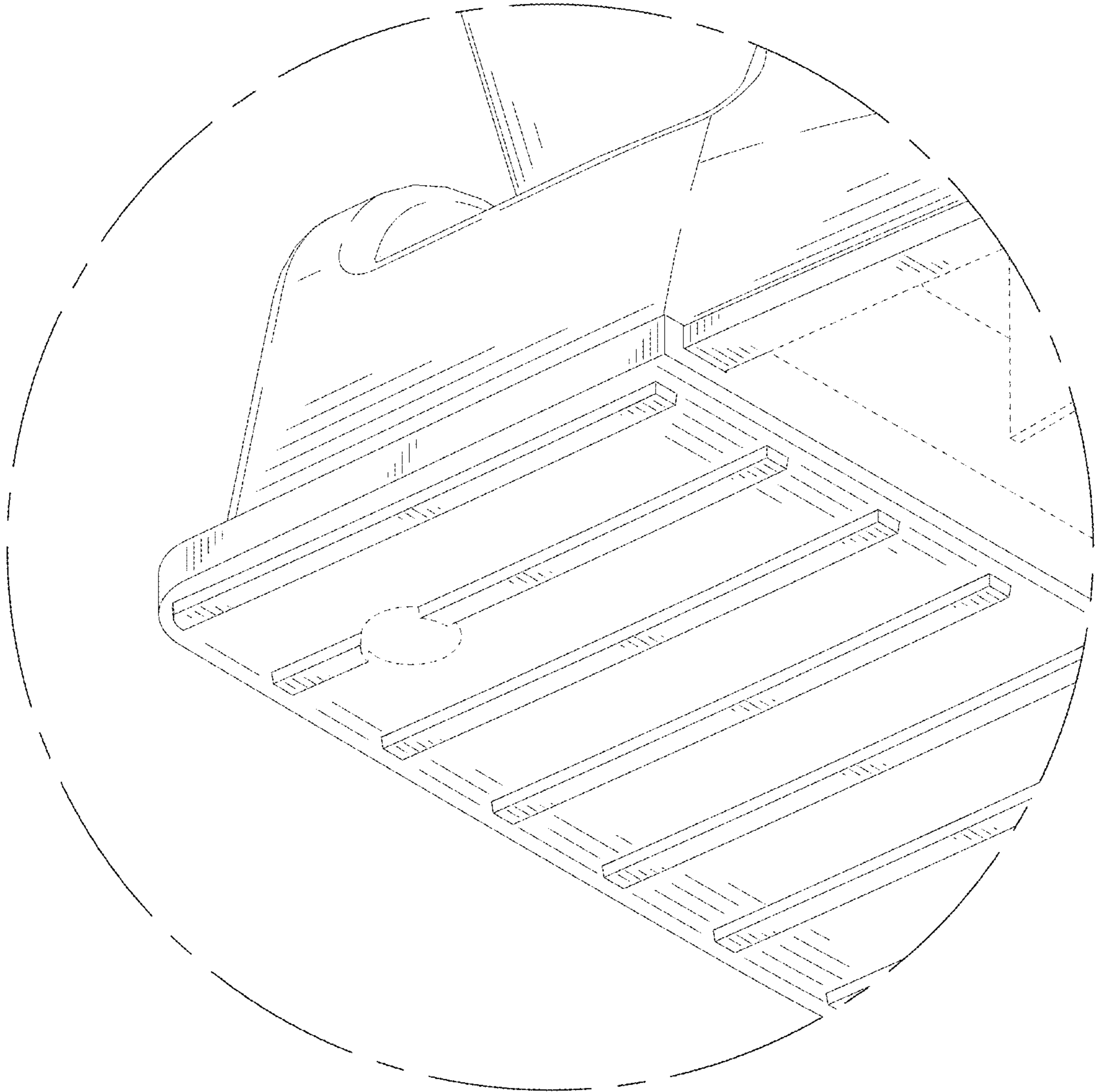


FIG. 11