



US00D983944S

(12) **United States Design Patent**
Chen

(10) **Patent No.:** **US D983,944 S**

(45) **Date of Patent:** **** Apr. 18, 2023**

(54) **TOILET SEAT FOR CHILDREN**

OTHER PUBLICATIONS

(71) Applicant: **Yanguo Chen**, Zhejiang (CN)

Fedicelly Potty Training Seat Toddlers Kids,Potty Training Toilet Potty Seat: <https://www.amazon.com/dp/B09GJGJK12?th=1> (Year: 2022).*

(72) Inventor: **Yanguo Chen**, Zhejiang (CN)

(**) Term: **15 Years**

* cited by examiner

(21) Appl. No.: **29/862,414**

Primary Examiner — Robert A Delehanty

(22) Filed: **Dec. 8, 2022**

(74) *Attorney, Agent, or Firm* — ScienBiziP, P.C.

(51) **LOC (14) Cl.** **23-02**

(52) **U.S. Cl.**

USPC **D23/296**

(58) **Field of Classification Search**

USPC D23/296, 309, 311; D6/339, 259,
D6/708.19; D25/63-64, 69

See application file for complete search history.

(57) **CLAIM**

The ornamental design for a toilet seat for children, as shown and described.

DESCRIPTION

(56) **References Cited**

U.S. PATENT DOCUMENTS

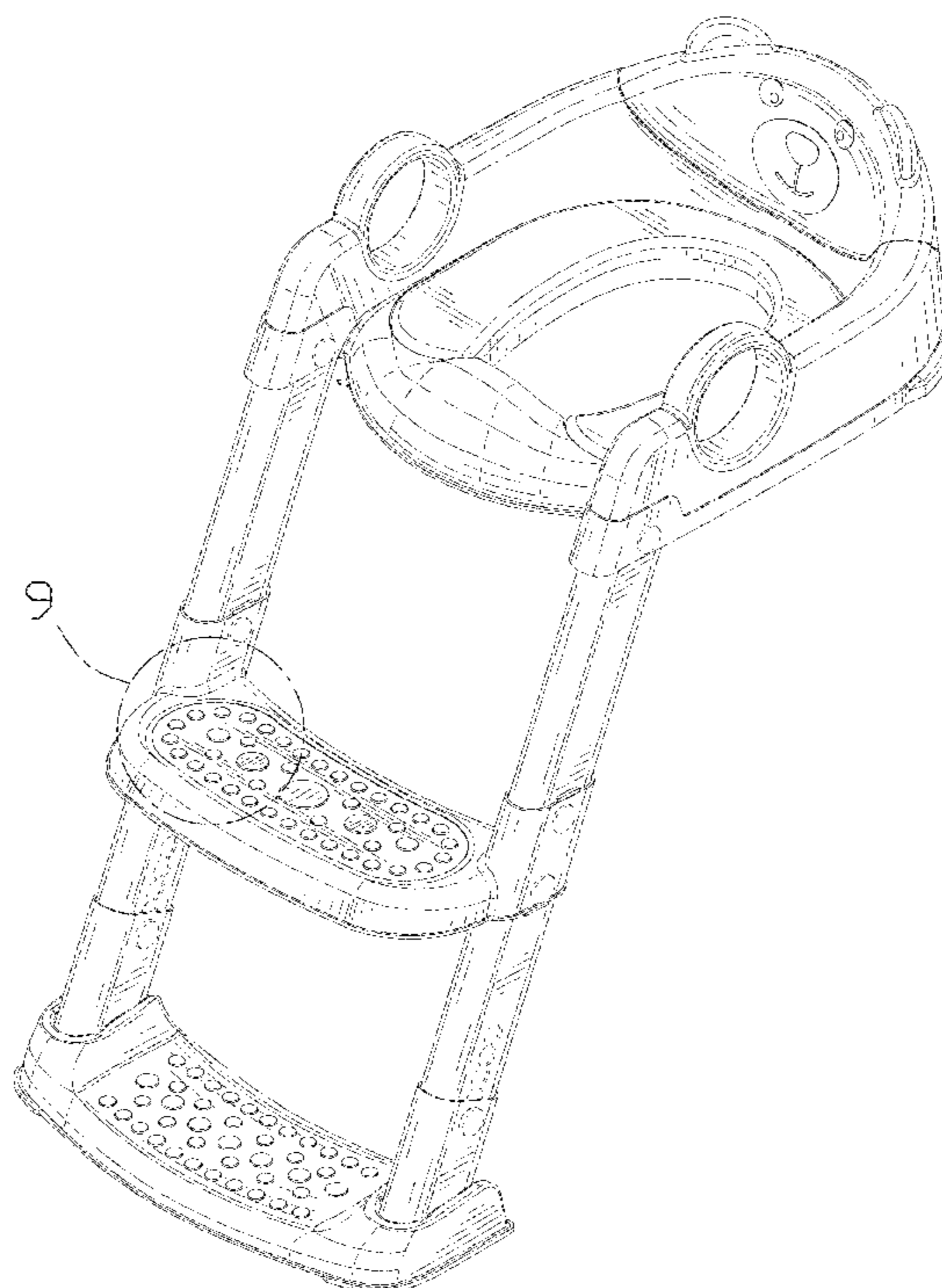
D276,361 S *	11/1984	Hyman, Sr.	D23/297
D310,869 S	9/1990	Sedlack		
D324,906 S	3/1992	Barnett		
D326,316 S *	5/1992	Zhang	D23/312
D343,891 S *	2/1994	Kessler	D23/297
D486,000 S *	2/2004	Bourget	D6/359
6,829,788 B1 *	12/2004	Allen	A47K 11/06 4/483
D594,564 S *	6/2009	Disch	D25/69
D904,584 S *	12/2020	Stroikov	D23/296
D918,354 S *	5/2021	Xu	D23/296
D976,375 S *	1/2023	Jin	D23/296

FOREIGN PATENT DOCUMENTS

WO WO-2015142413 A1 * 9/2015 A47K 11/06

FIG. 1 is a front, right and top perspective view of a toilet seat for children, showing my design.
 FIG. 2 is a rear, left and bottom perspective view thereof.
 FIG. 3 is a front elevation view thereof.
 FIG. 4 is a rear elevation view thereof.
 FIG. 5 is a left side elevation view thereof.
 FIG. 6 is a right side elevation view thereof.
 FIG. 7 is a top plan view thereof.
 FIG. 8 is a bottom plan view thereof.
 FIG. 9 is an enlarged view of detail 9 in FIG. 1; and,
 FIG. 10 is an enlarged view of detail 10 in FIG. 2.
 The broken lines depict portions of the toilet seat for children that form no part of the claimed design. The dot-dash broken lines in FIGS. 1-2 and 9-10 depict the boundaries of the enlargements that form no part of the claimed design.

1 Claim, 10 Drawing Sheets



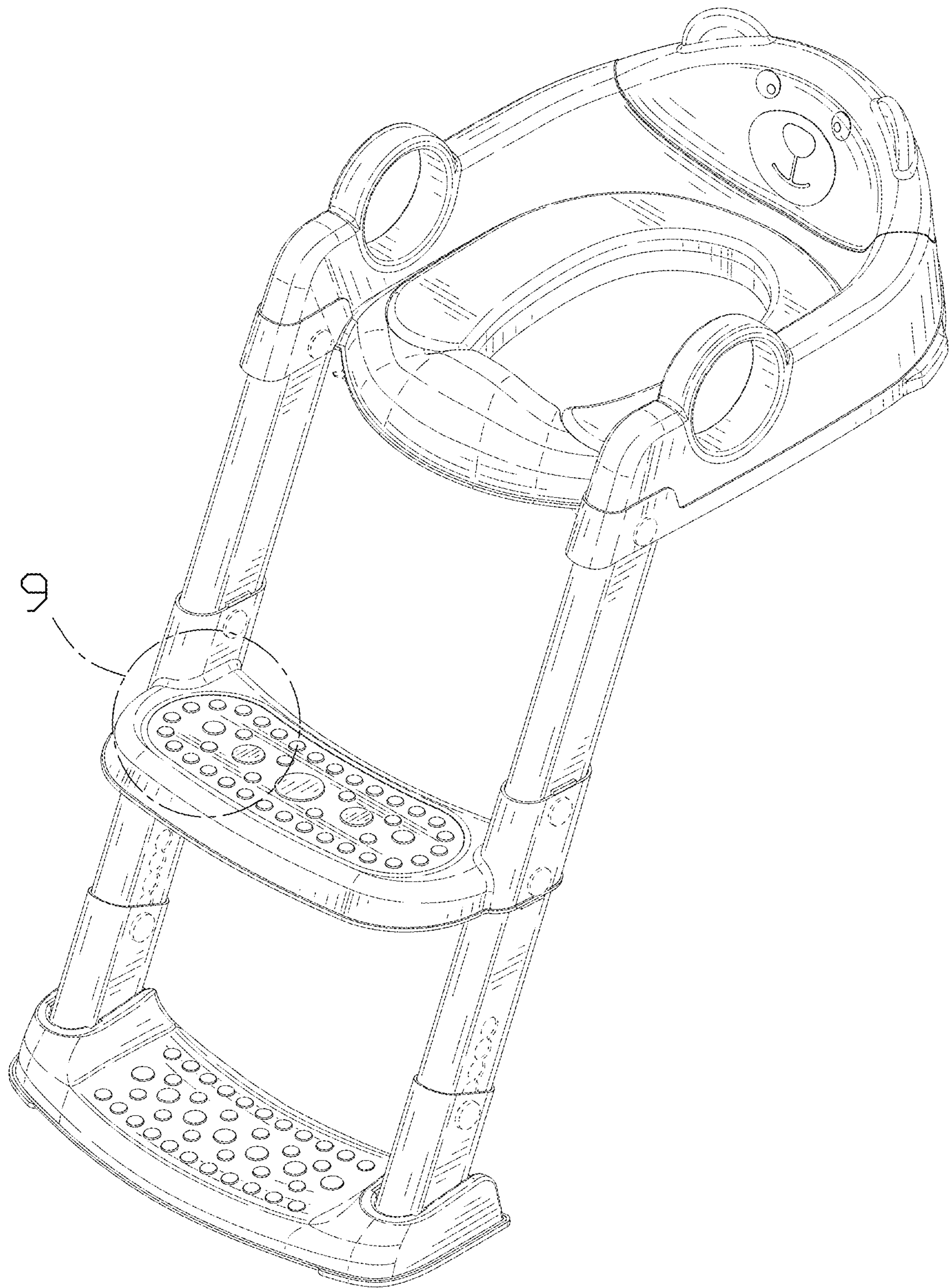


FIG. 1

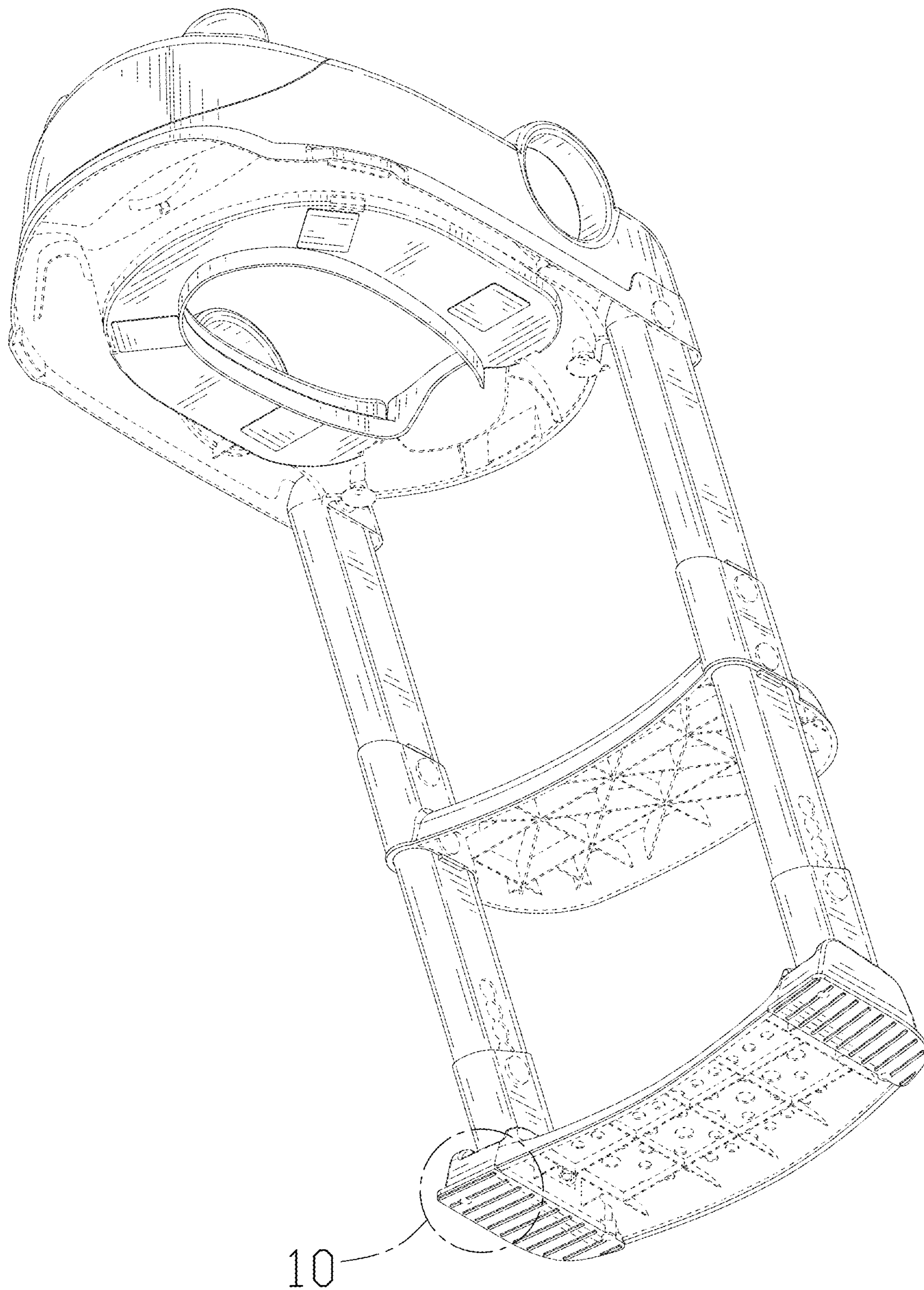


FIG. 2

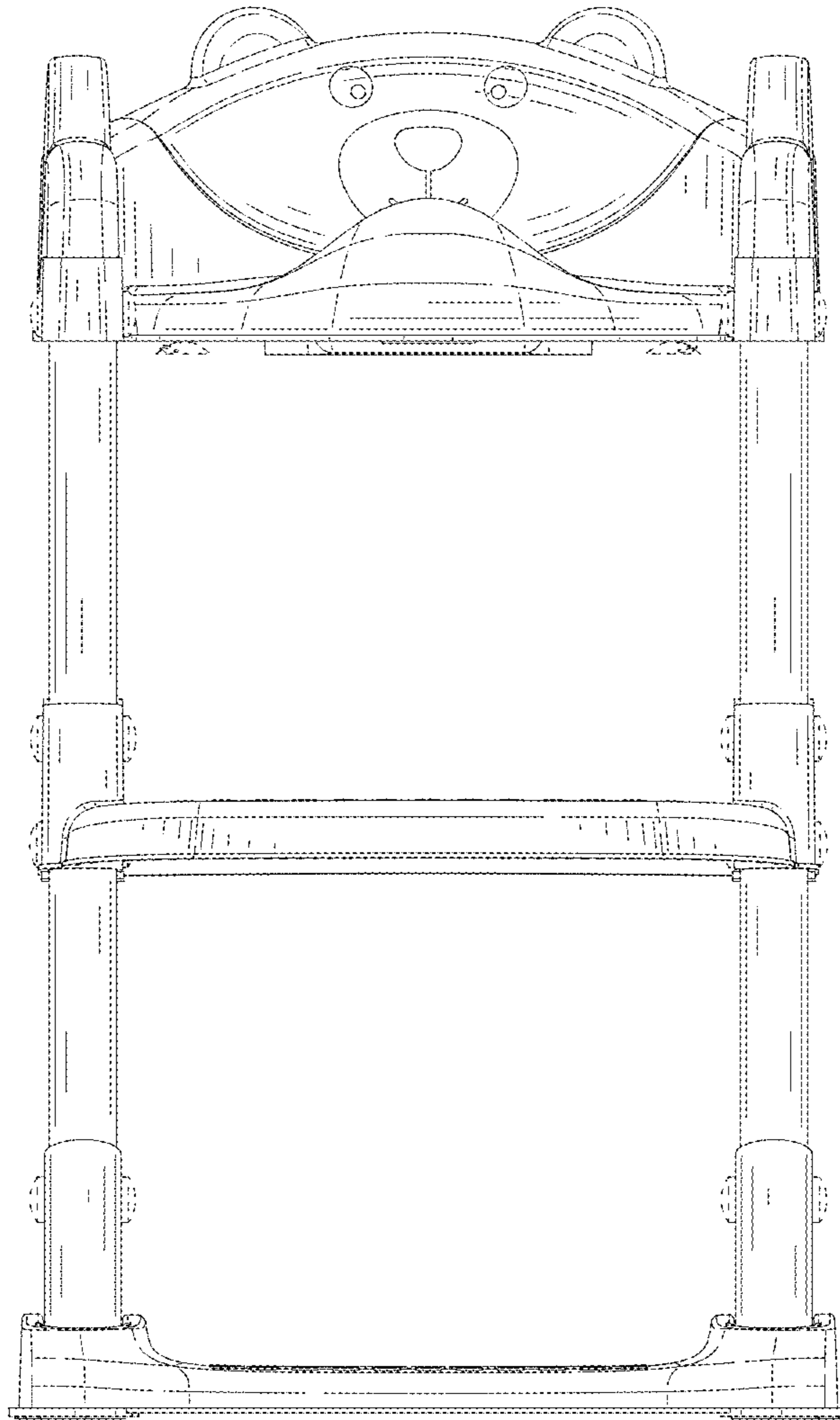


FIG. 3

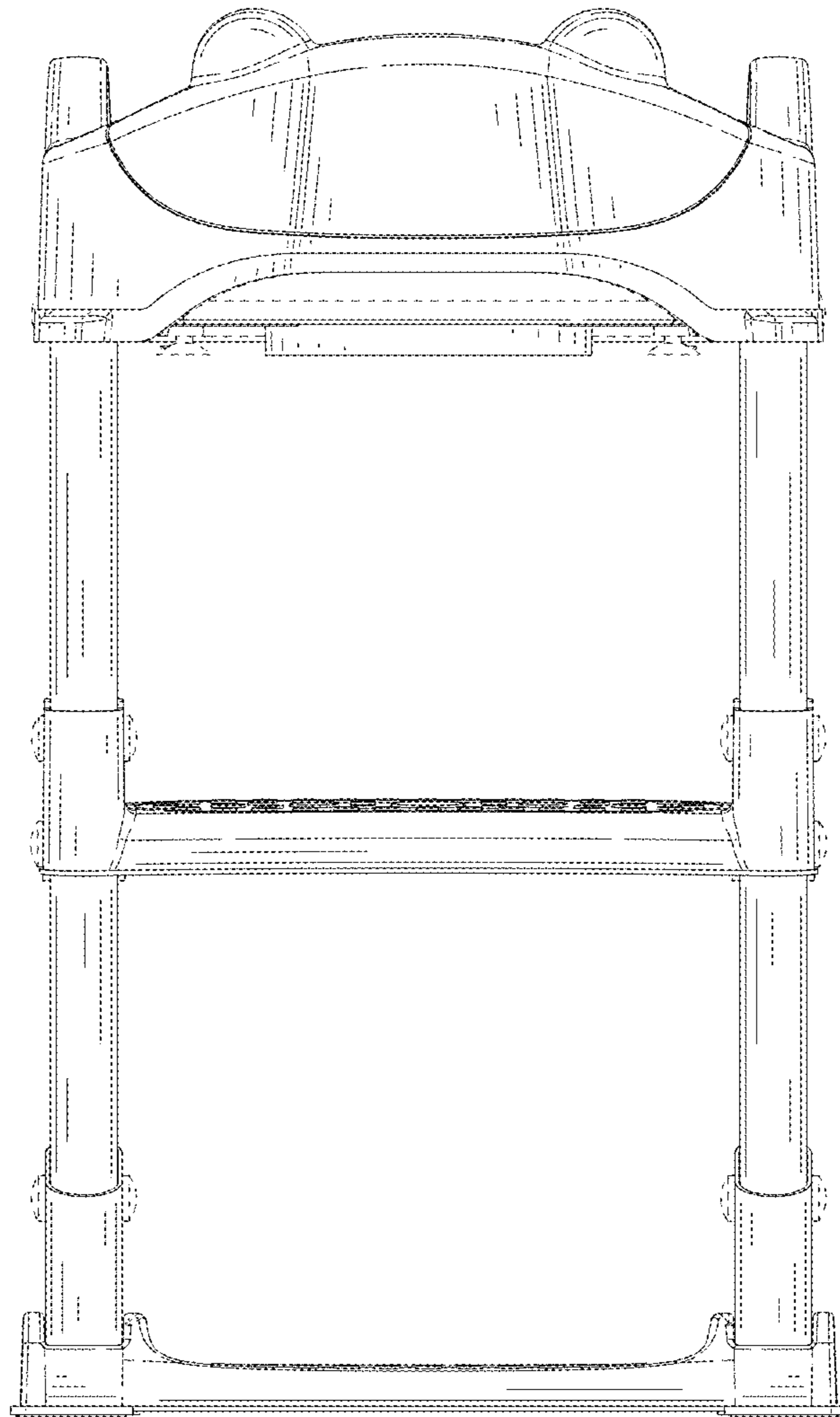


FIG. 4

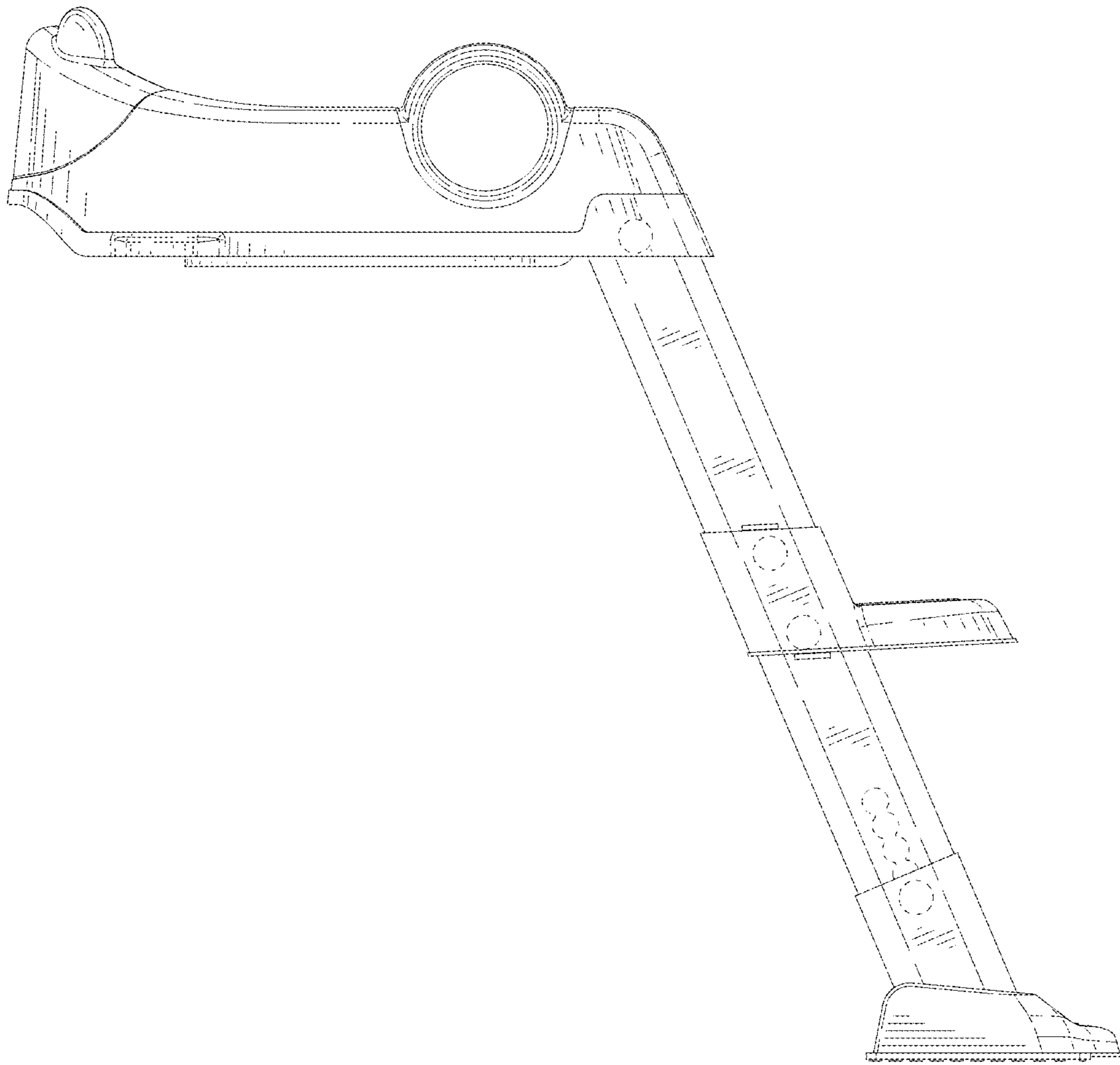


FIG. 5

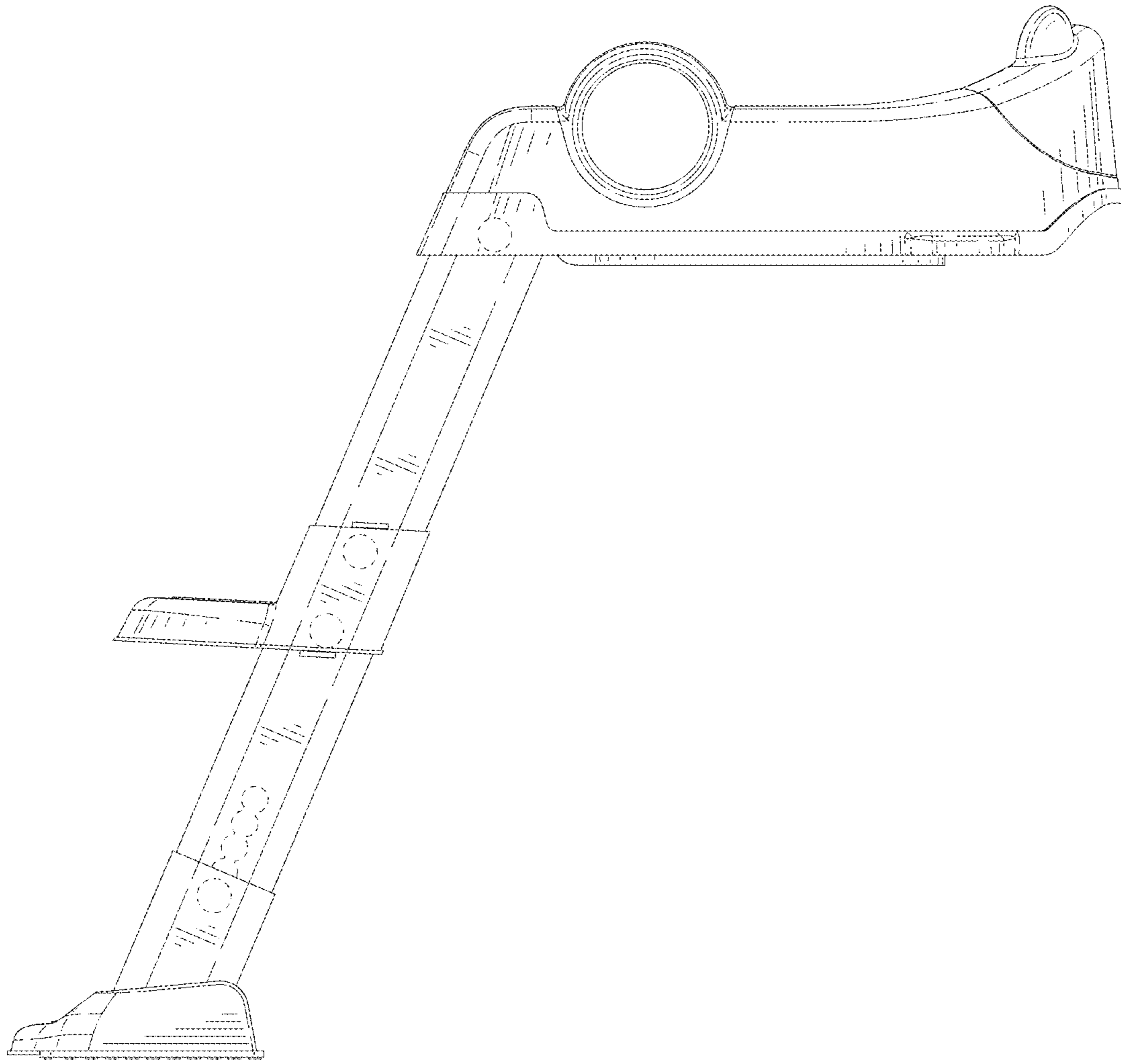


FIG. 6

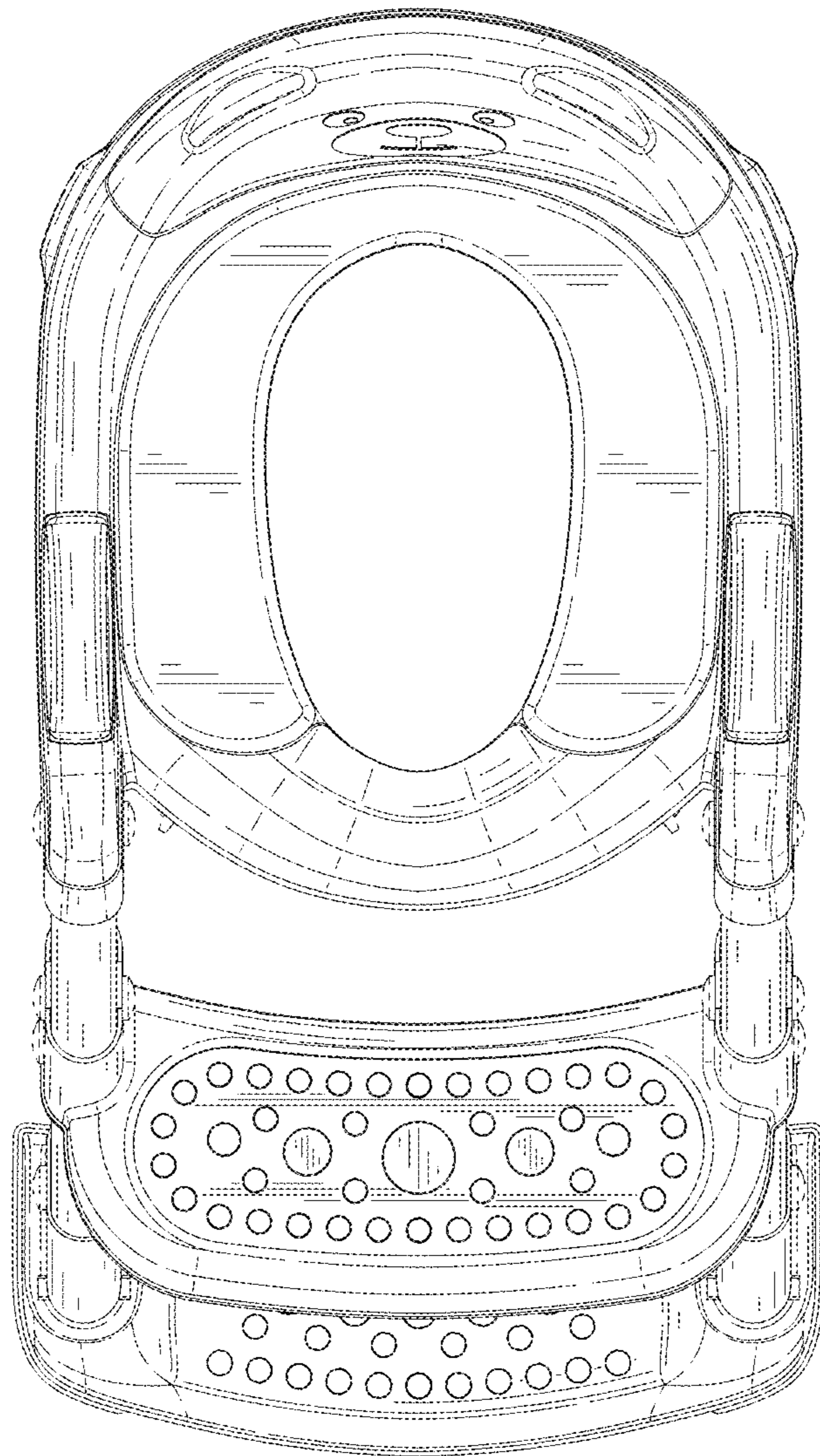


FIG. 7

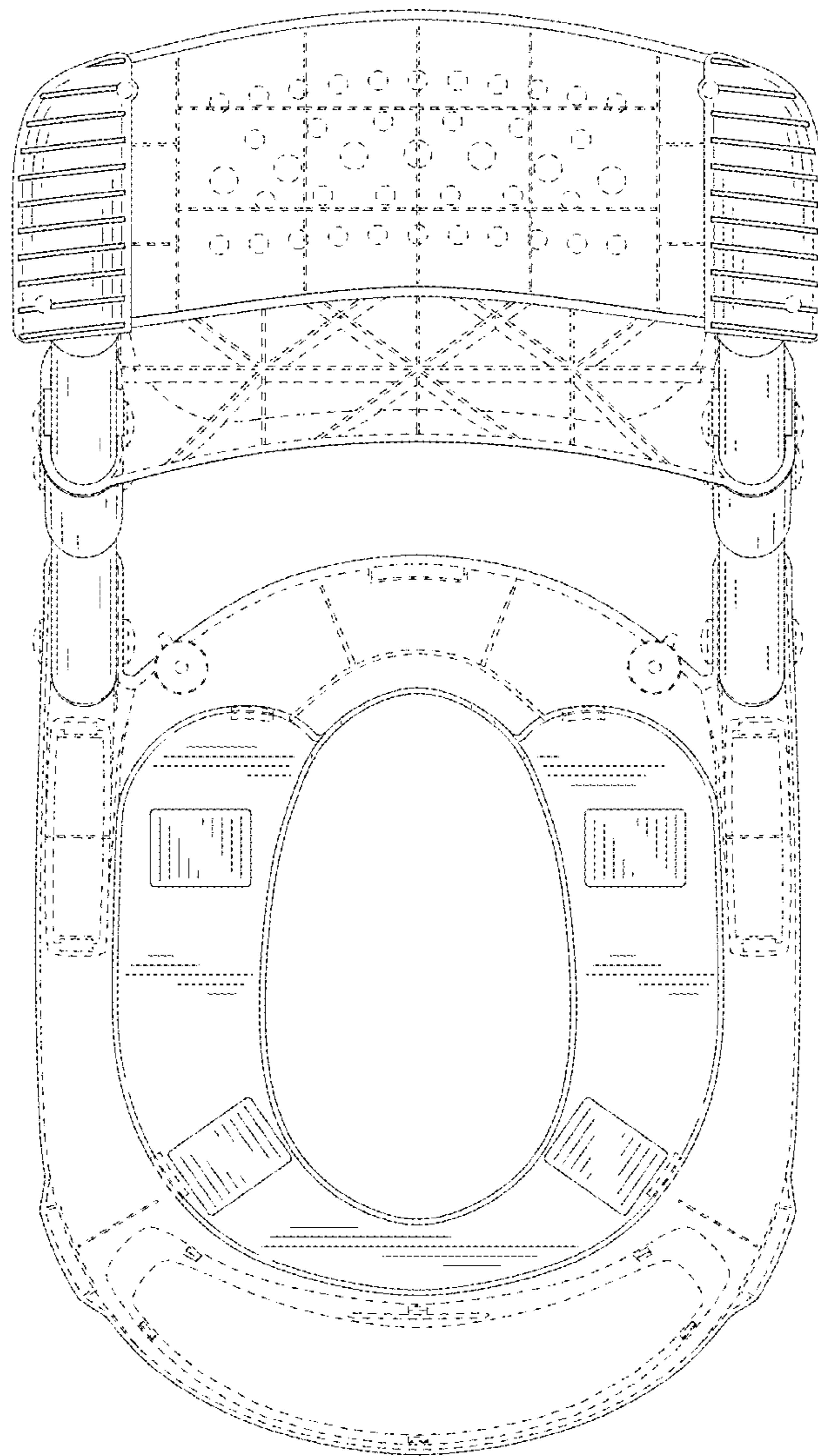


FIG. 8

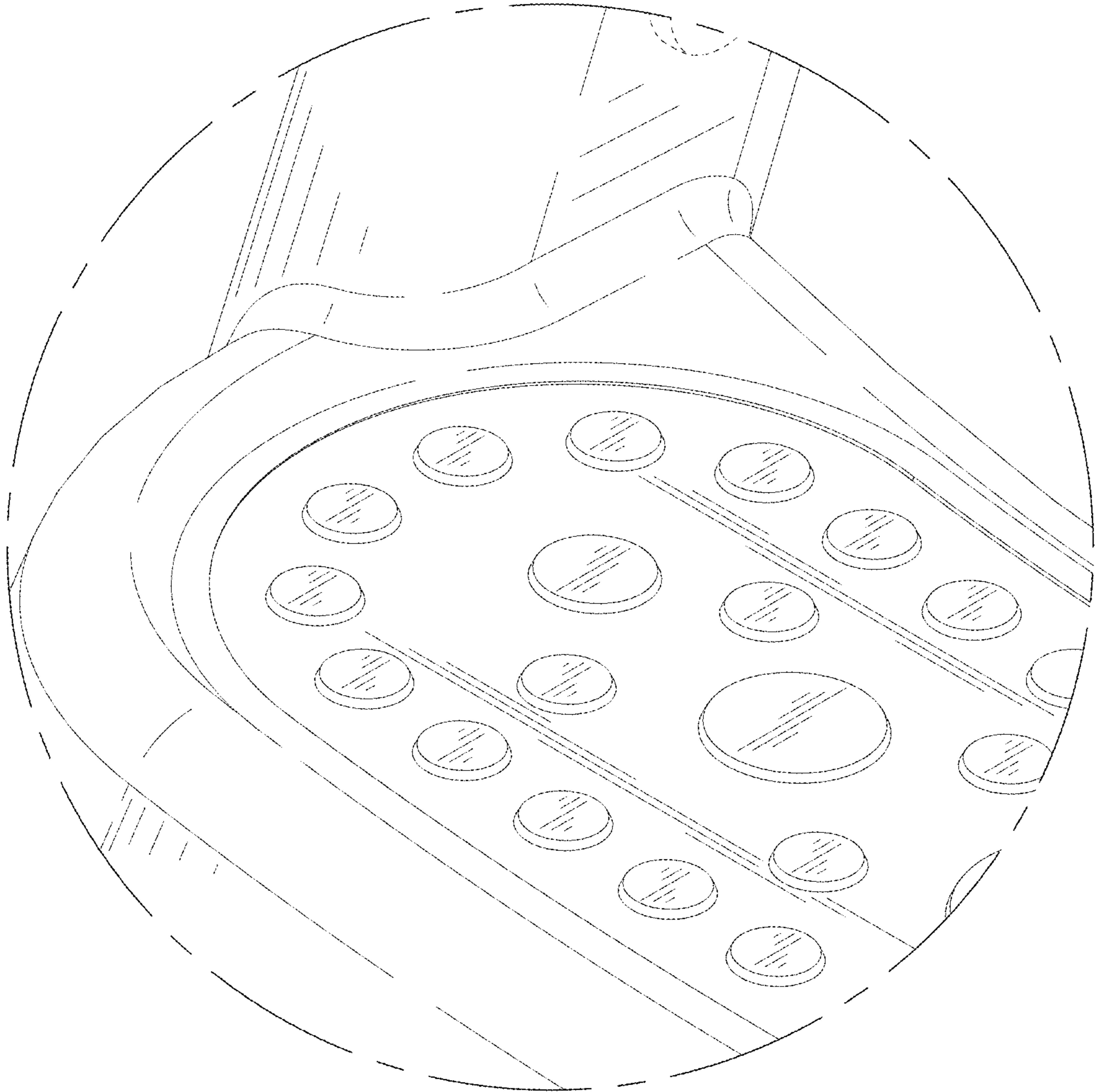


FIG. 9

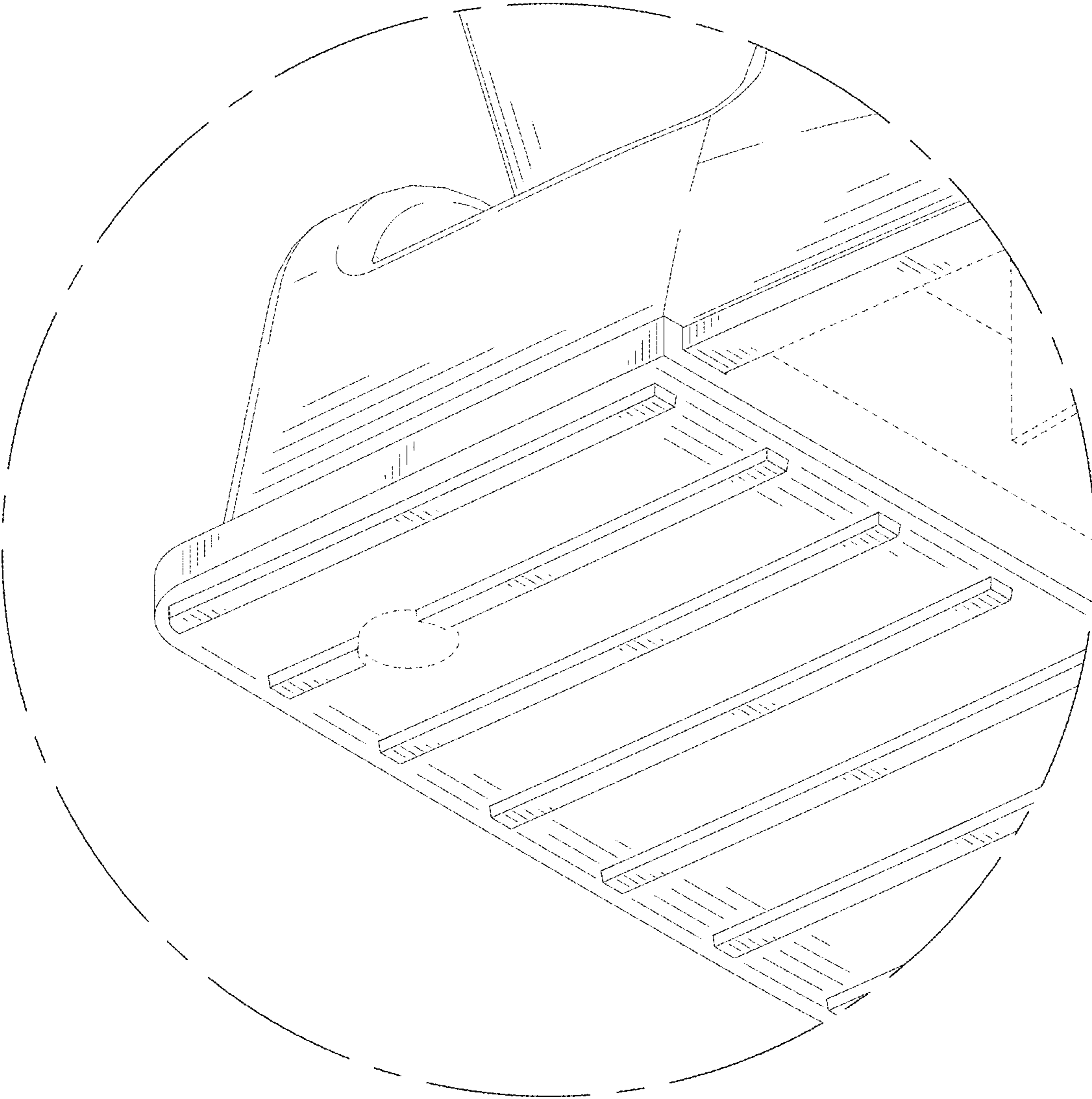


FIG. 10