



US00D983943S

(12) **United States Design Patent** (10) **Patent No.:** **US D983,943 S**
Chen (45) **Date of Patent:** **** *Apr. 18, 2023**

(54) **KITCHEN SINK WITH FAUCET**
(71) Applicant: **Xiaohua Chen**, Rui'an (CN)
(72) Inventor: **Xiaohua Chen**, Rui'an (CN)

D686,300 S * 7/2013 Fritz D23/238
D693,905 S * 11/2013 Ke D23/238
D746,421 S 12/2015 Conley
(Continued)

(*) Notice: This patent is subject to a terminal disclaimer.
(**) Term: **15 Years**

FOREIGN PATENT DOCUMENTS
CN 201830461162.4 * 8/2018
CN 202230456754.3 * 7/2022
(Continued)

(21) Appl. No.: **29/850,071**
(22) Filed: **Aug. 16, 2022**
(51) **LOC (14) Cl.** **23-06**
(52) **U.S. Cl.**
USPC **D23/284**
(58) **Field of Classification Search**
USPC D23/238, 239, 240, 241, 242, 243, 246,
D23/247, 249, 250, 251, 252, 253, 254,
D23/255, 256, 257, 272, 293.1, 284, 270,
D23/287
CPC E03C 1/00; E03C 1/01; E03C 1/02; E03C
1/023; E03C 1/04; E03C 1/0401; E03C
1/0403; E03C 1/0404; E03C 1/0405;
E03C 1/0412; E03C 1/05; E03C 1/042;
F16K 31/60
See application file for complete search history.

OTHER PUBLICATIONS

Amazon, Bliote New Stainless steel Waterfall Kitchen Sink, posted Aug. 8, 2022, [online], [visited Nov. 10, 2022]. Internet, <URL: <https://www.amazon.com/BLIOTE-Stainless-Waterfall-Kitchen-Workstation/dp/B0B8YLSM1S/ref?th=1>> (Year: 2022).
(Continued)

Primary Examiner — Samantha Wood

(57) **CLAIM**
The ornamental design for a kitchen sink with faucet, as shown and described.

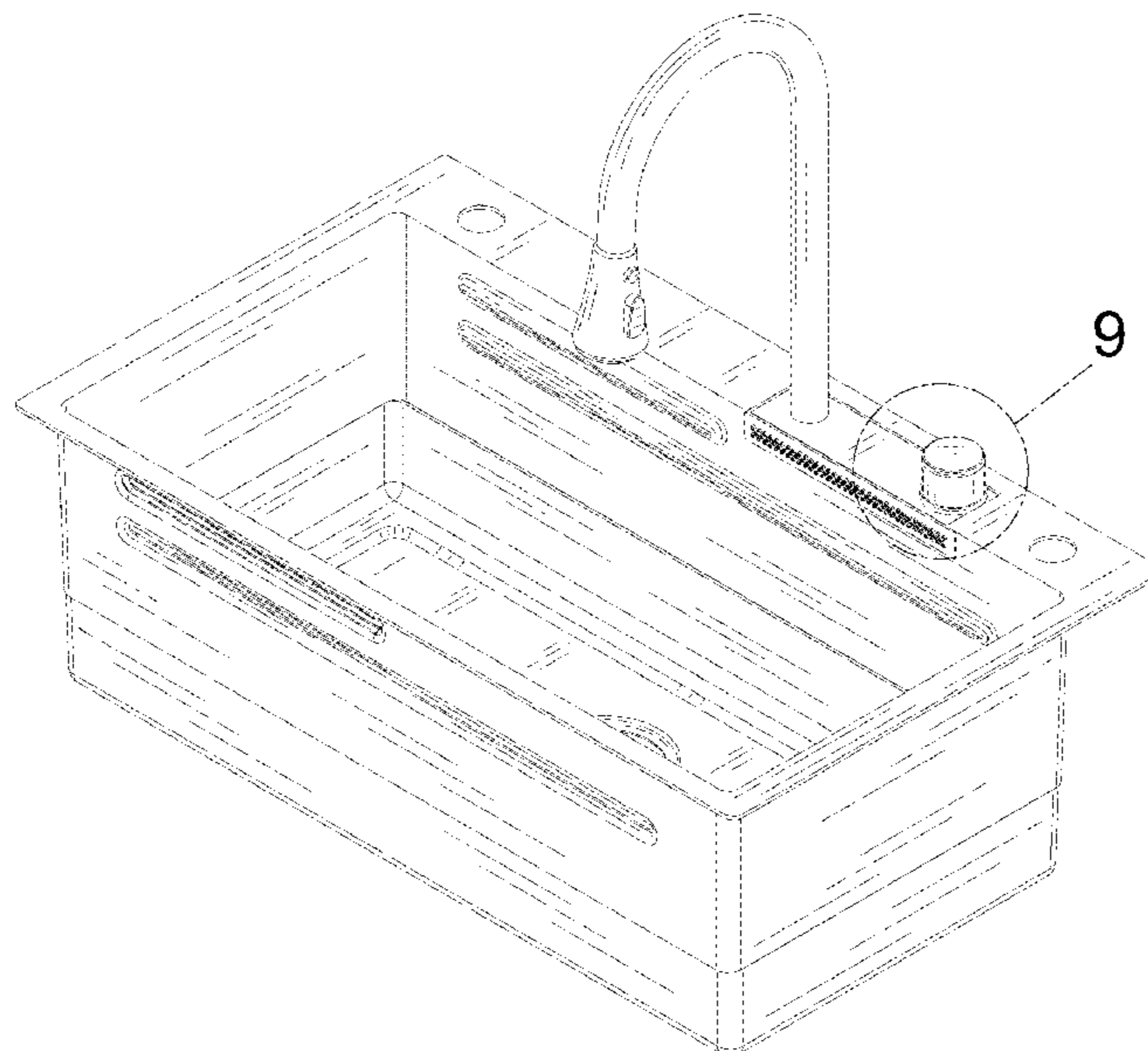
DESCRIPTION

FIG. 1 is a front perspective view of a kitchen sink with faucet showing my ornamental design;
FIG. 2 is a rear perspective view thereof;
FIG. 3 is a front view thereof;
FIG. 4 is a rear view thereof;
FIG. 5 is a left side view thereof;
FIG. 6 is a right side view thereof;
FIG. 7 is a top view thereof;
FIG. 8 is a bottom view thereof;
FIG. 9 is an enlarged view of portion 9 shown in FIG. 1; and,
FIG. 10 is an enlarged view of portion 10 shown in FIG. 3.
The broken lines are included for the purpose of illustrating portions of the article and form no part of the claimed design.

(56) **References Cited**
U.S. PATENT DOCUMENTS

D243,240 S * 2/1977 Dreibelbis D23/241
D255,595 S * 6/1980 Lampe D23/238
D290,991 S * 7/1987 Paul D23/241
D494,664 S * 8/2004 Arnold D23/293.1
D497,409 S * 10/2004 Valfridsson D23/255
D523,114 S * 6/2006 Schaffeld D23/250
D528,196 S * 9/2006 Paredes D23/308
D535,724 S * 1/2007 Zhou D23/238
D643,513 S * 8/2011 Wu D23/242

1 Claim, 10 Drawing Sheets



(56)

References Cited

U.S. PATENT DOCUMENTS

D810,889 S * 2/2018 Bahler D23/255
 D828,508 S * 9/2018 Fritz D23/238
 D873,379 S * 1/2020 Fritz D23/238
 D886,211 S 6/2020 Liu
 D910,146 S * 2/2021 Zhang D23/225
 D929,541 S * 8/2021 Liang D23/226
 D939,675 S * 12/2021 Levi D23/284
 D952,808 S 5/2022 Grybush et al.
 D954,233 S 6/2022 Chong et al.
 D963,119 S * 9/2022 Soulier D23/250
 2007/0295418 A1 * 12/2007 Leutwyler F16B 21/183
 137/615
 2013/0186479 A1 * 7/2013 Zhu E03C 1/06
 137/15.01
 2019/0368172 A1 * 12/2019 Chung F16L 27/0804

FOREIGN PATENT DOCUMENTS

IN 319986-001 * 7/2019
 WO WO-D207141-004 * 8/2019

OTHER PUBLICATIONS

Amazon, Wqmhhome Kitchen Sink, posted Aug. 25, 2022, [online],
 [visited Nov. 10, 2022]. Internet, <URL: <https://www.amazon.ca/Stainless-Raindance-Waterfall-Workstation-Pull-Out/dp/B0BBTGXBJK?th=1> > (Year: 2022).*

Youtube, The New Raindance all in one sink Raindance kitchen
 faucet, posted Jul. 16, 2022, [online], [visited Nov. 10, 2022].
 Internet, <URL: <https://www.youtube.com/watch?v=6cNx4UCxNps>>
 (Year: 2022).*

* cited by examiner

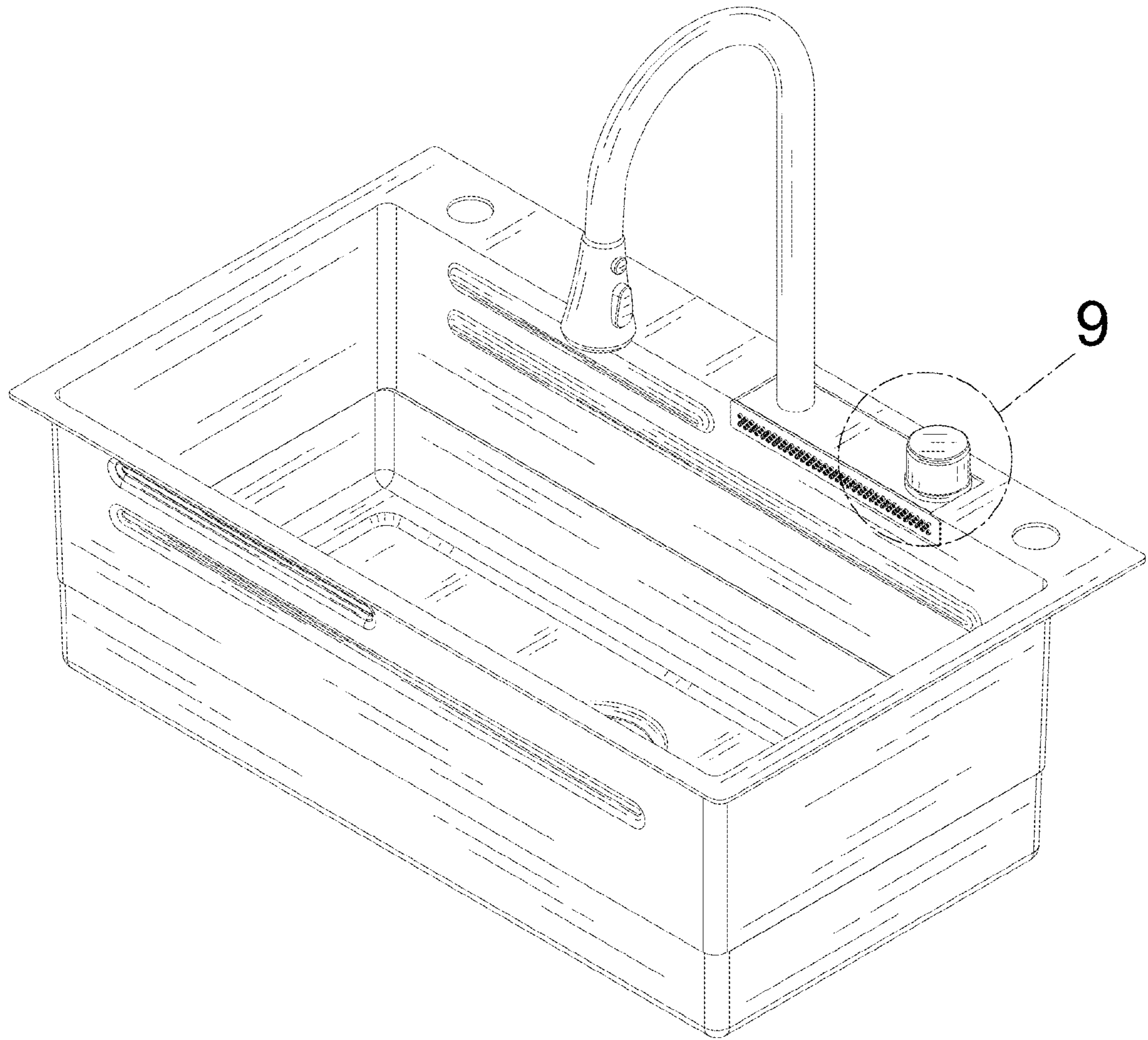


FIG. 1

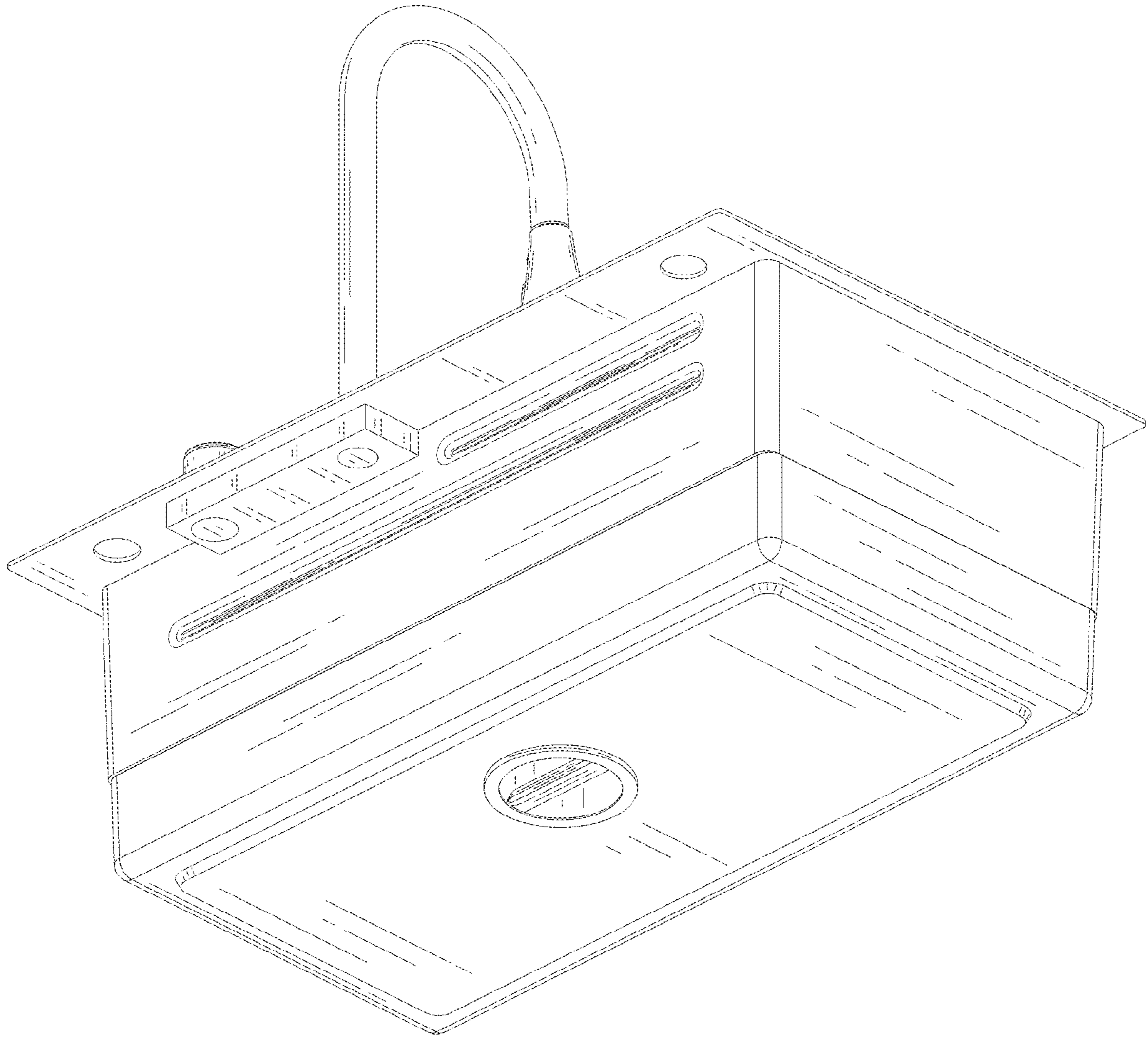


FIG. 2

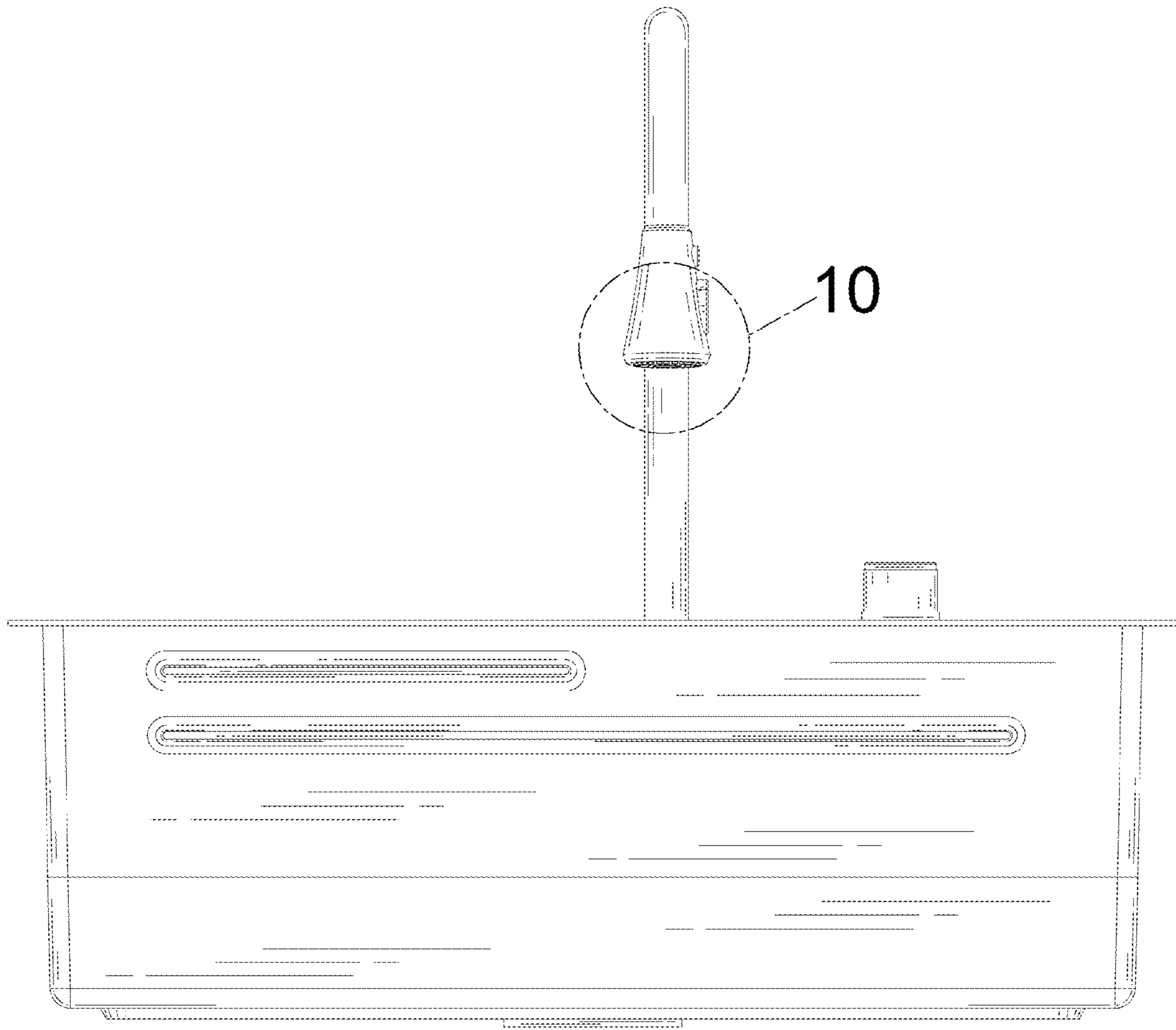


FIG. 3

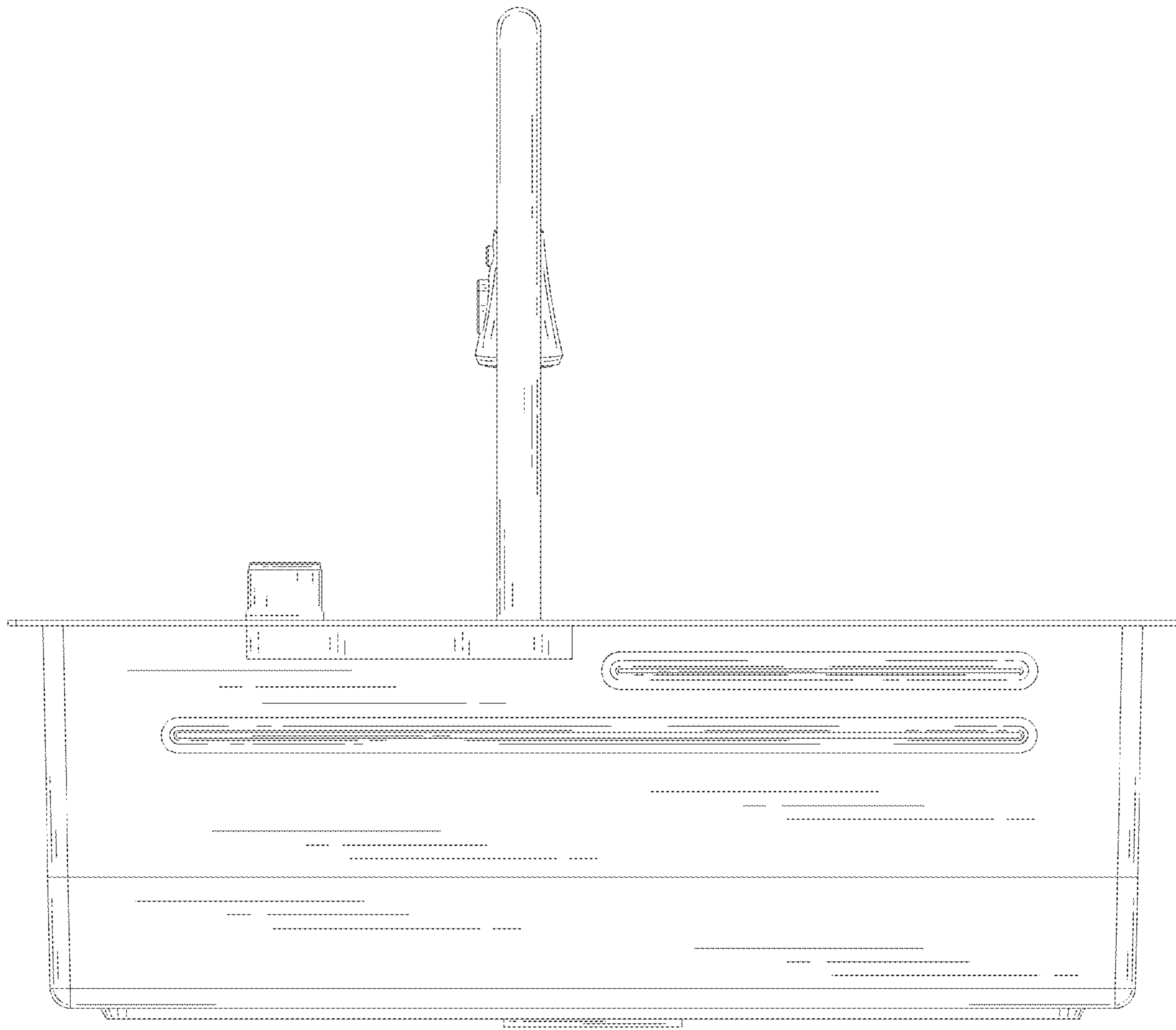


FIG. 4

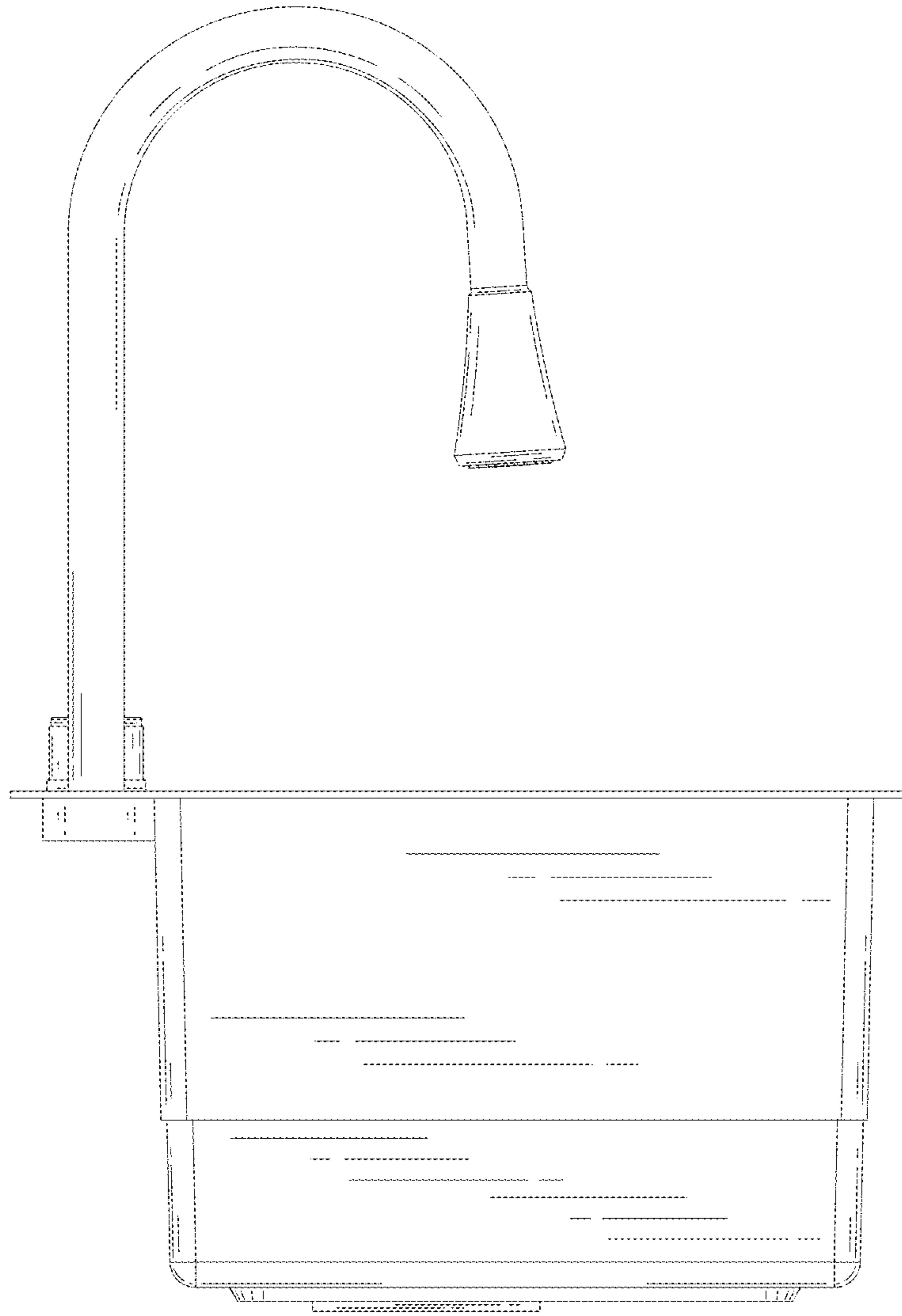


FIG. 5

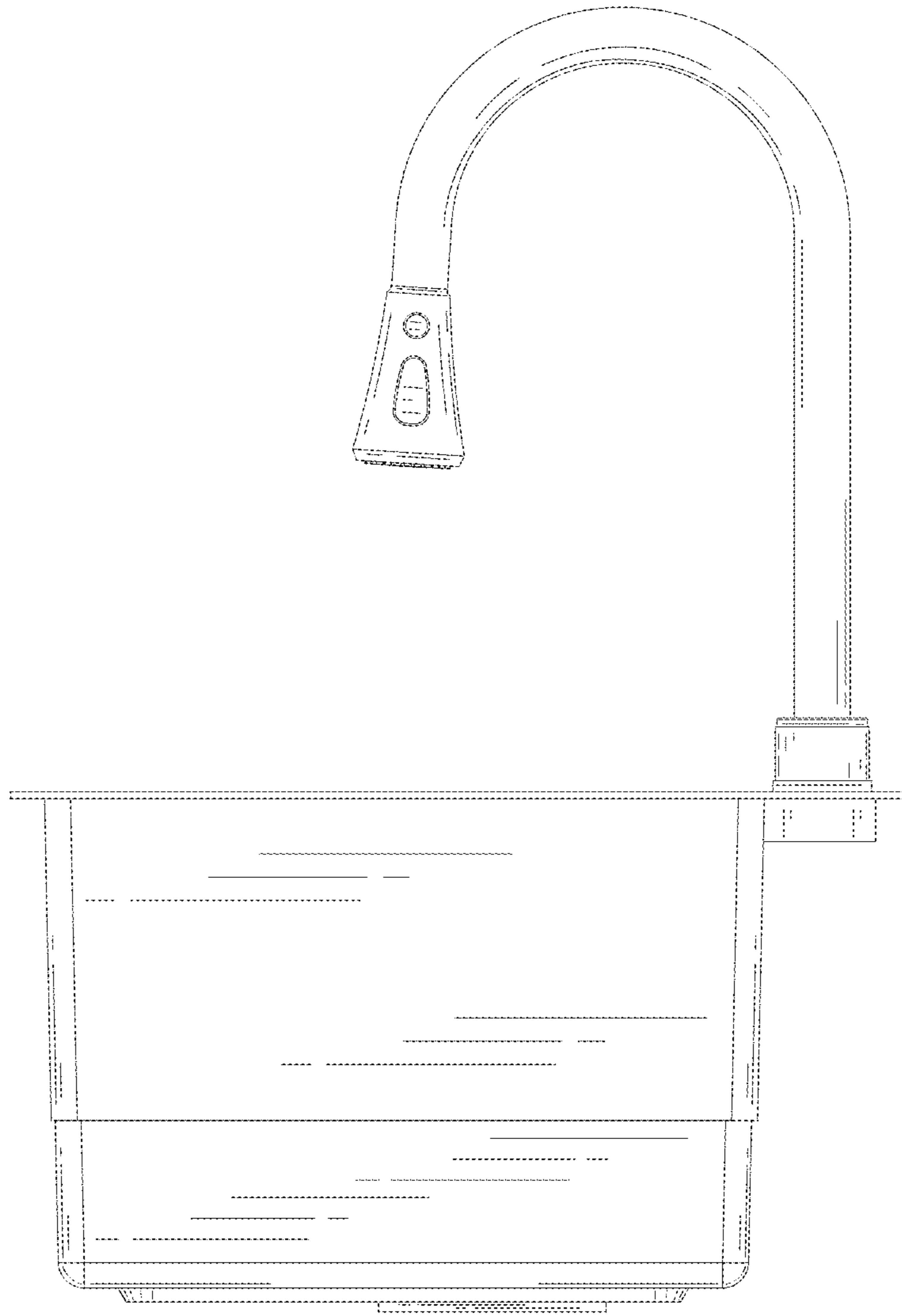


FIG. 6

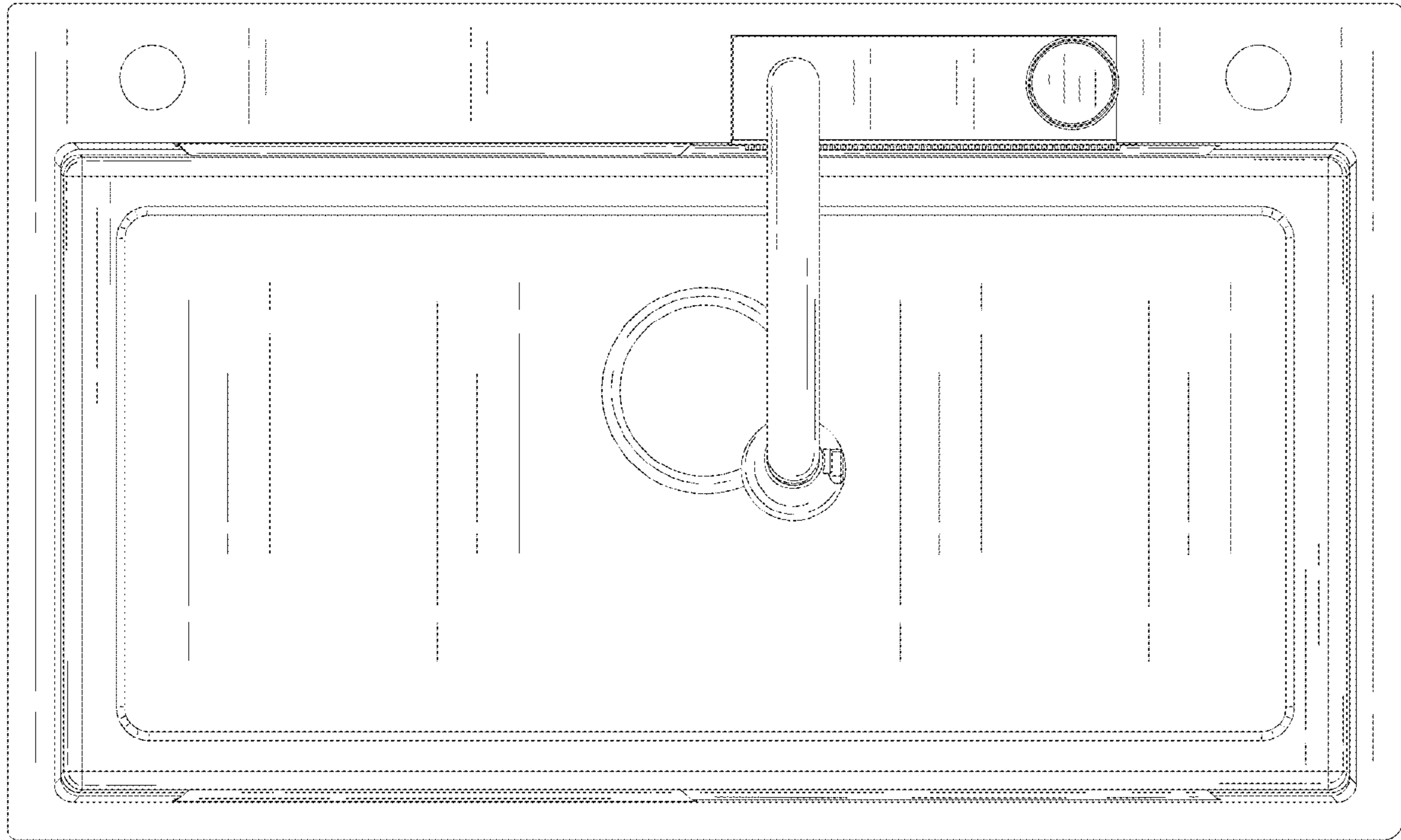


FIG. 7

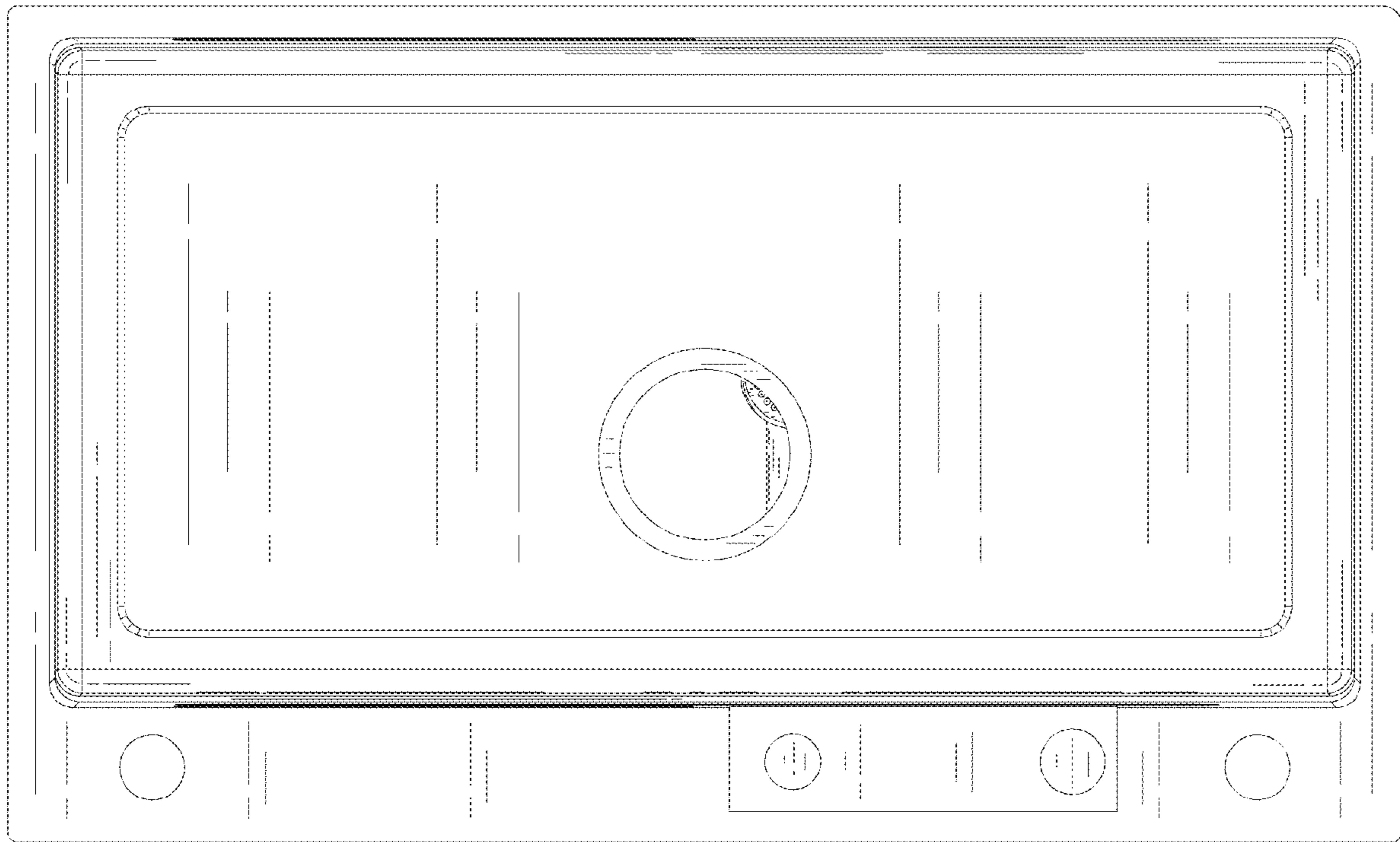


FIG. 8

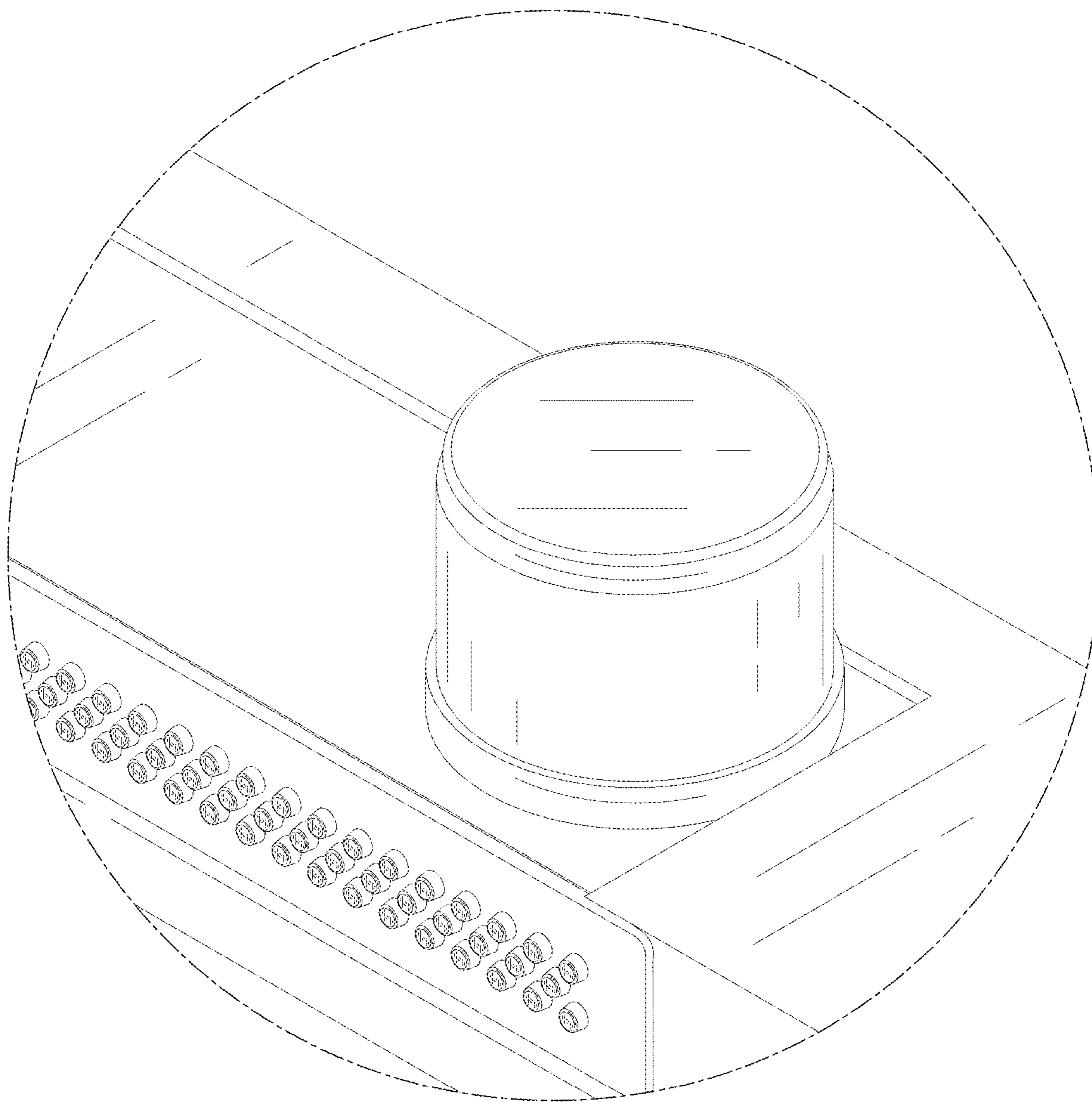


FIG. 9

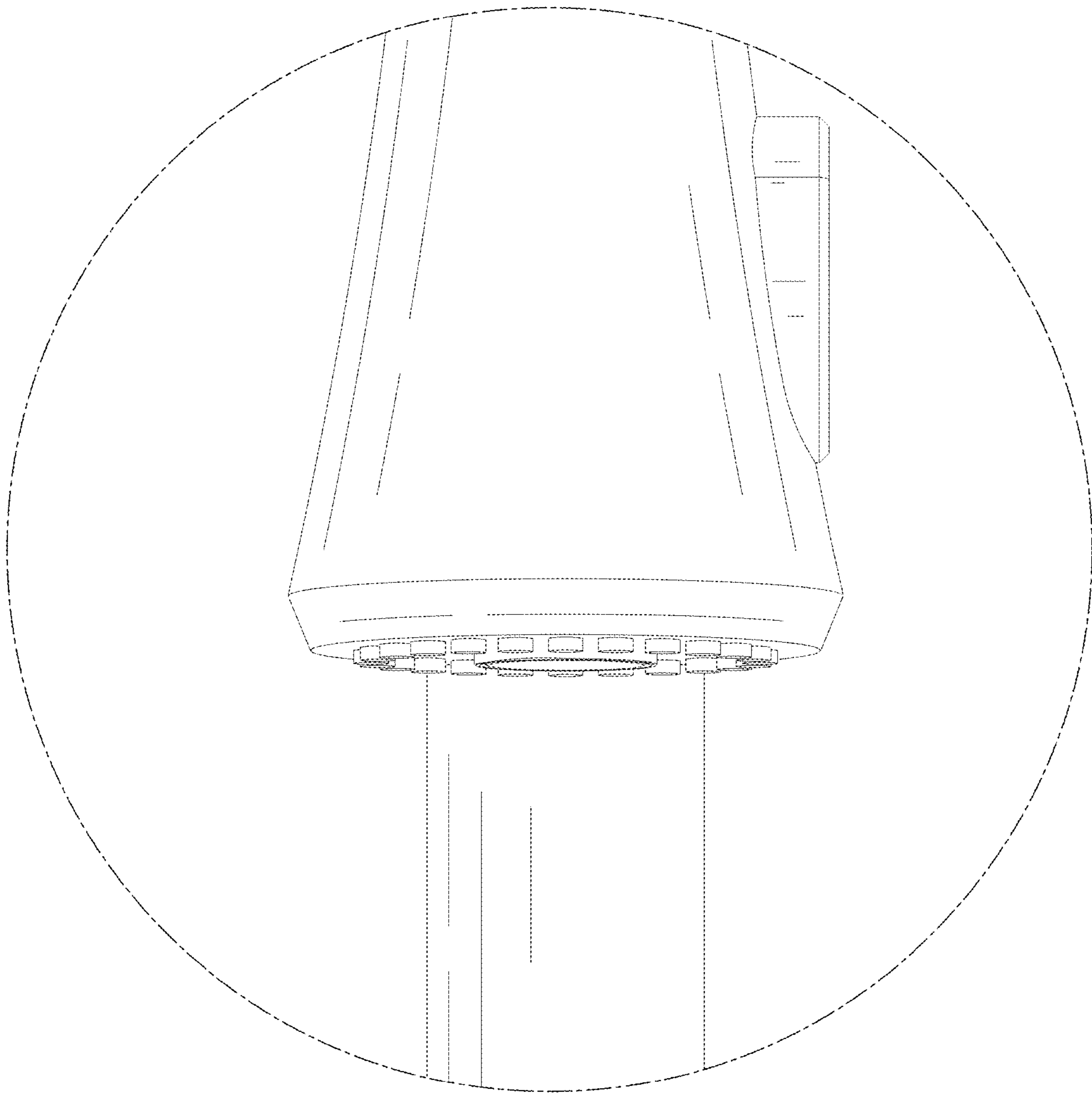


FIG. 10