



US00D983939S

(12) **United States Design Patent**
Mayberry

(10) **Patent No.:** **US D983,939 S**

(45) **Date of Patent:** **** Apr. 18, 2023**

(54) REMOVABLE DRAIN FILTER	6,276,000 B1 * 8/2001 Saman E03C 1/262 4/295
(71) Applicant: Peter Mayberry , Papillion, NE (US)	6,994,490 B2 2/2006 Maestro 7,407,574 B2 8/2008 Robinson
(72) Inventor: Peter Mayberry , Papillion, NE (US)	D794,759 S * 8/2017 Karnegie D23/261 2004/0255378 A1 * 12/2004 Tracy E03C 1/26 4/689
(**) Term: 15 Years	2015/0321127 A1 * 11/2015 Arent E03C 1/264 210/232
(21) Appl. No.: 29/800,048	2017/0073949 A1 * 3/2017 Karnegie E03C 1/264

(22) Filed: **Jul. 19, 2021**

(51) **LOC (14) Cl.** **23-01**

(52) **U.S. Cl.**
USPC **D23/261**

(58) **Field of Classification Search**
USPC D23/209, 210, 213, 223, 233, 249,
D23/259–269, 309, 311, 323, 333, 365,
D23/386, 387, 388, 397, 412; D25/68,
D25/69, 112; D8/354
CPC E04D 13/08; E04D 13/064; E04D 13/076;
E04D 13/0646; E04D 13/0725; E04B
2/78; E04C 2/38; E04F 11/032; E04F
11/038; E04F 2011/0209; E03D 11/13;
E03D 11/16; E03D 11/17; E03D 11/135;
E03D 11/143; A47K 13/24; A01M 31/02;
A01M 31/025; A01G 9/04; A01G 9/042;
E03C 1/26; E03C 1/244; E03C 1/262;
E03C 1/264
See application file for complete search history.

(56) **References Cited**

U.S. PATENT DOCUMENTS

118,548 A *	8/1871	Oliver	E03C 1/264 4/292
394,213 A *	12/1888	Scannell	E03C 1/264 4/289
1,661,983 A *	3/1928	Wentzel	E03C 1/264 4/291
2,807,368 A	9/1957	Blau		
D246,109 S *	10/1977	Rosaen	D23/209
4,380,834 A *	4/1983	Wentz	E03C 1/262 4/286

OTHER PUBLICATIONS

Triton Roof DrainFilters, <https://remfilters.com/roof-drain-filter/>.

* cited by examiner

Primary Examiner — Gino Colan
Assistant Examiner — David OBrien

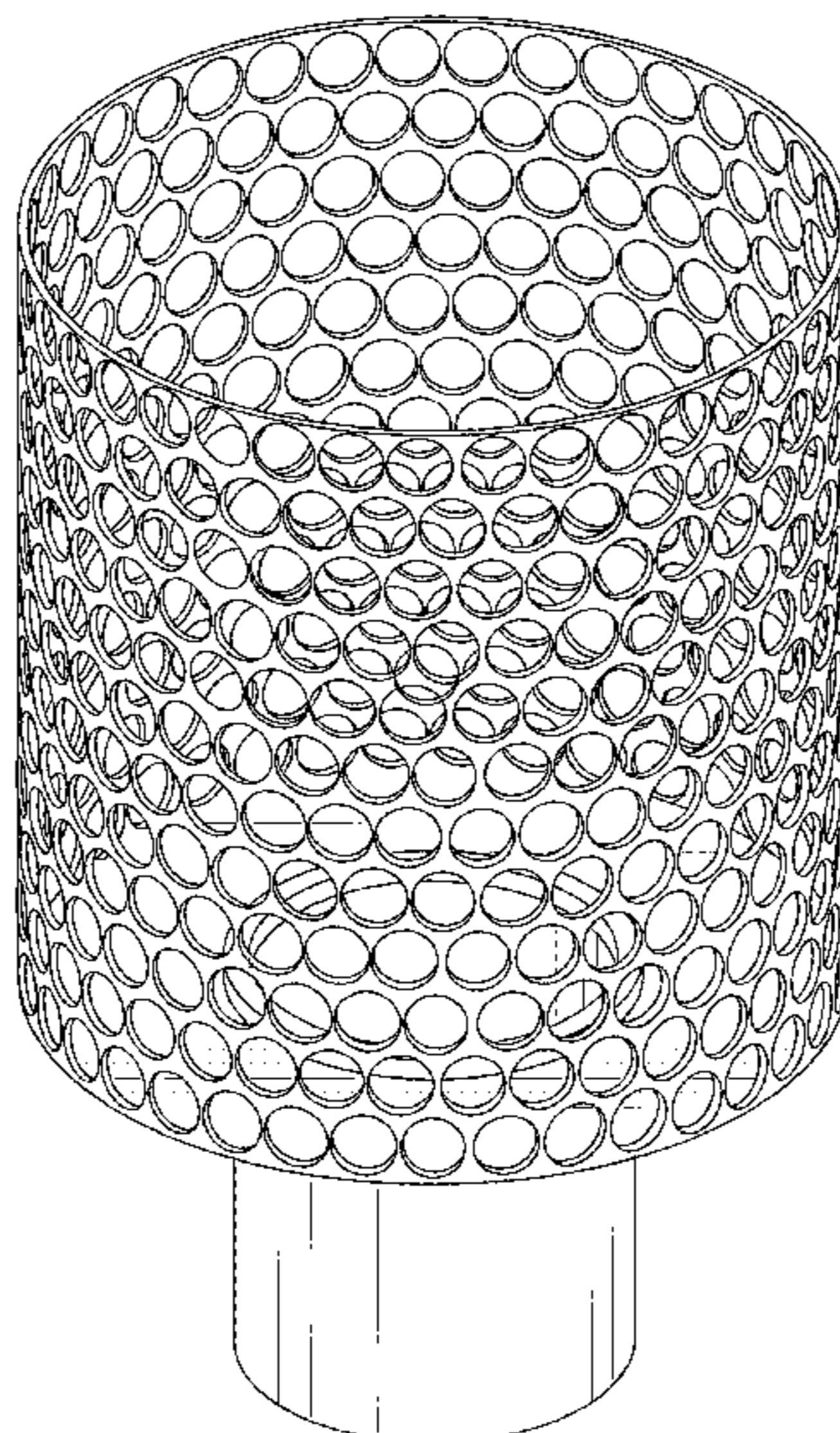
(57) **CLAIM**

The ornamental design for a removable drain filter, as shown and described.

DESCRIPTION

FIG. 1 is a front-top perspective view of a removable drain filter showing my new design;
 FIG. 2 is a front-bottom perspective view thereof;
 FIG. 3 is a front elevational view thereof;
 FIG. 4 is a rear elevational view thereof;
 FIG. 5 is a left elevational view thereof;
 FIG. 6 is a right elevational view thereof;
 FIG. 7 is a top plan view thereof;
 FIG. 8 is a bottom plan view thereof;
 FIG. 9 is a reduced front-top perspective view thereof, wherein the removable drain filter is in an exploded configuration; and,
 FIG. 10 is a reduced front-bottom perspective view thereof, wherein the removable drain filter is in the exploded configuration.

1 Claim, 10 Drawing Sheets



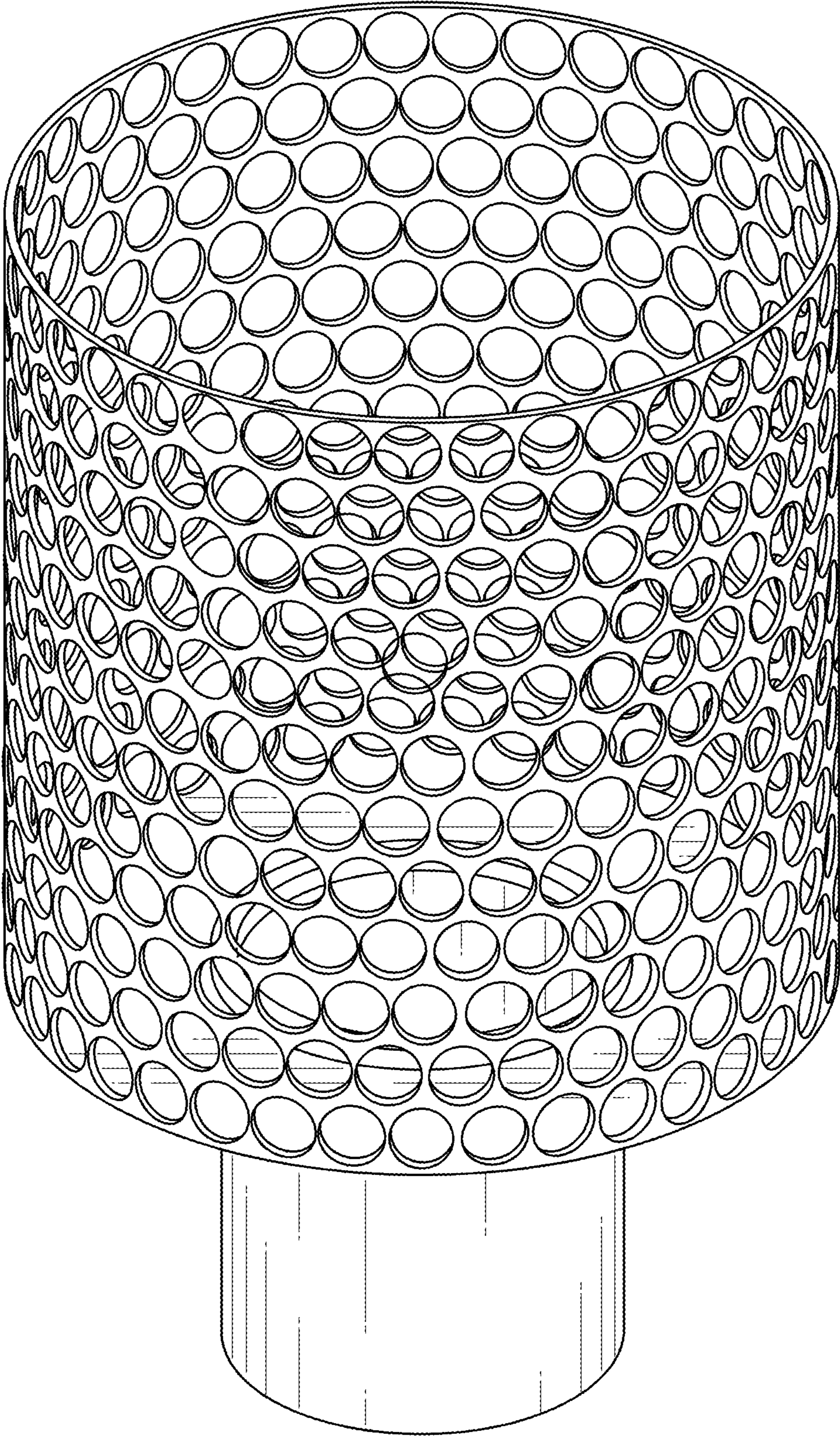


FIG. 1

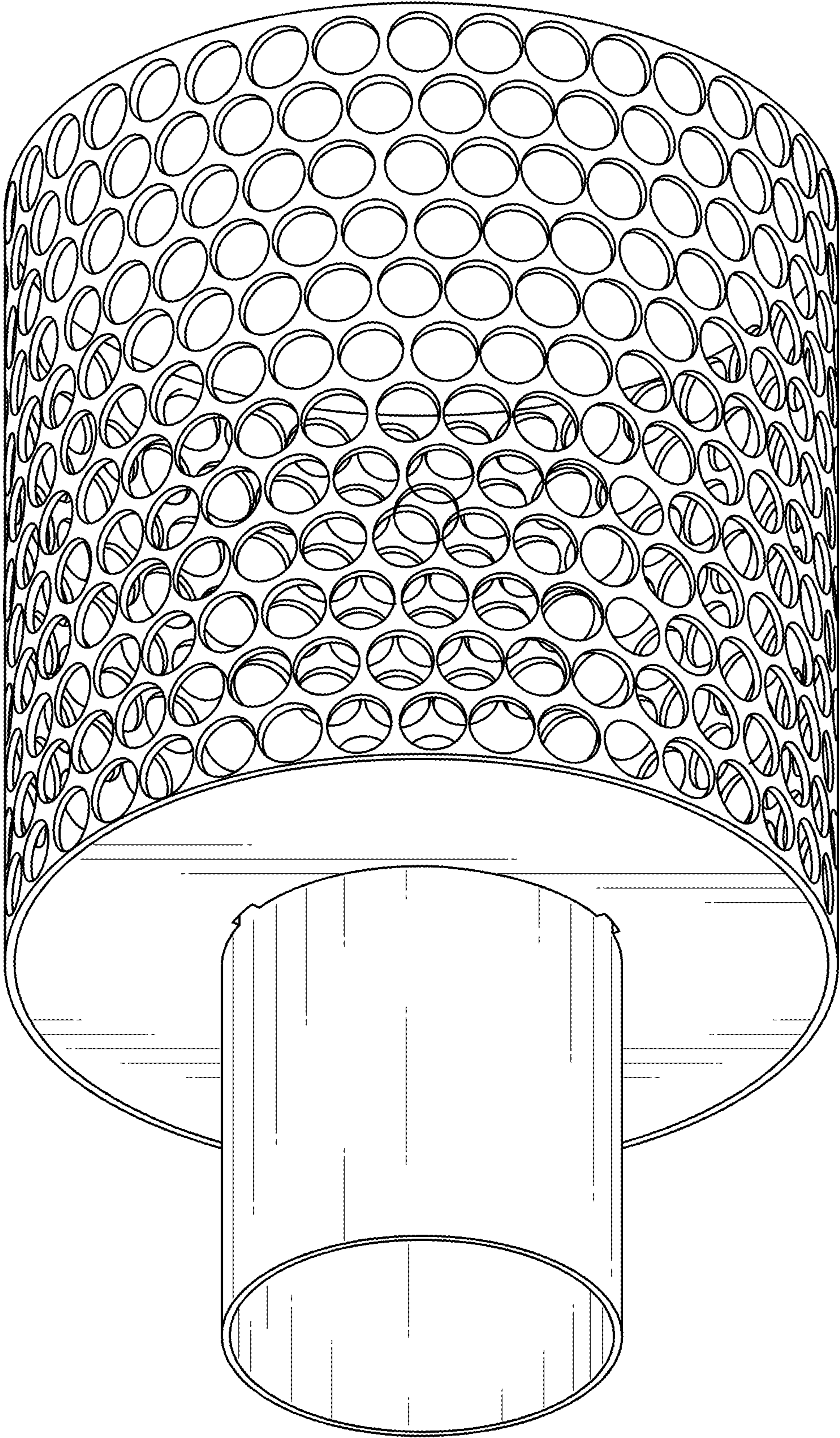


FIG. 2

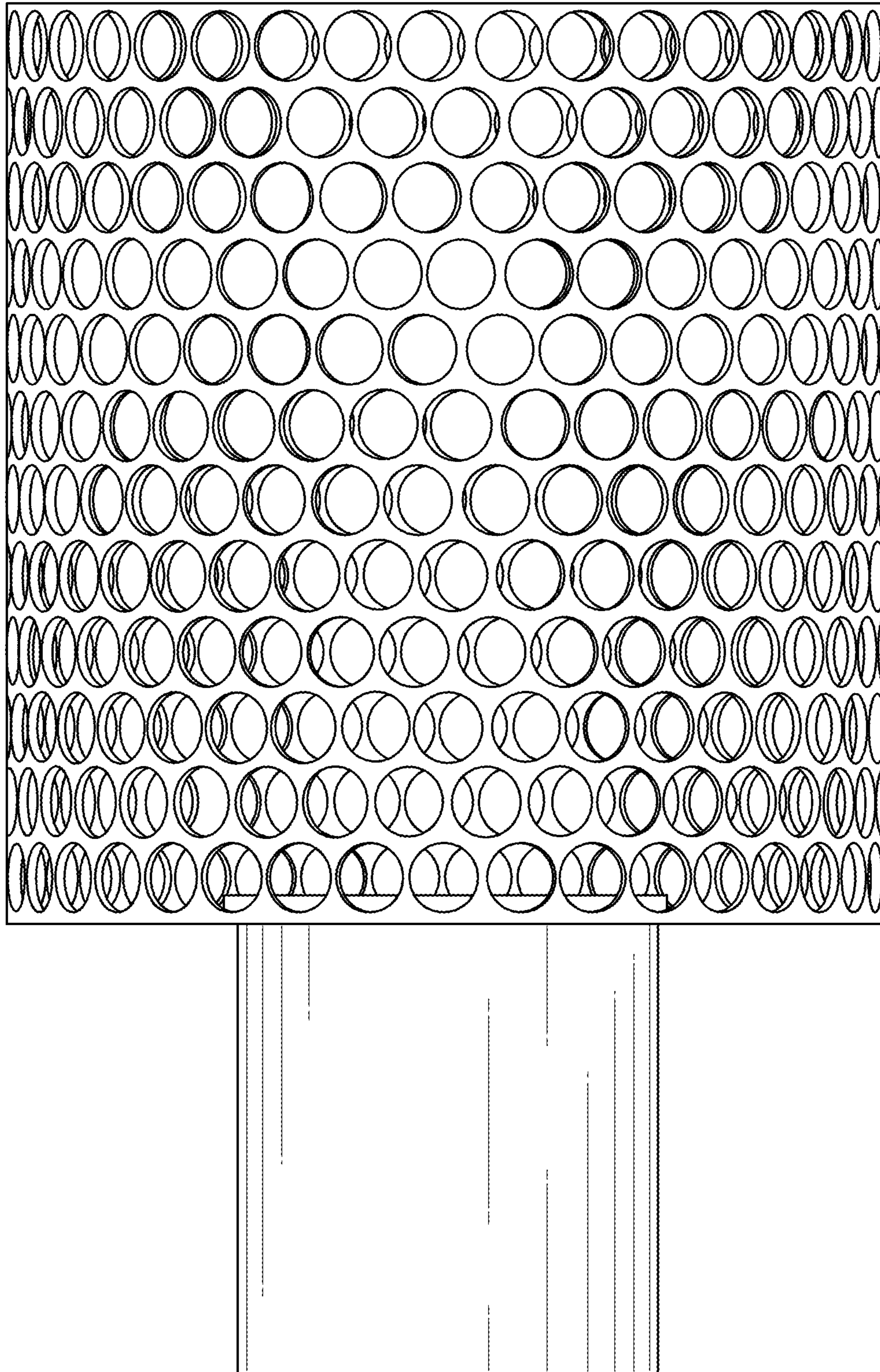


FIG. 3

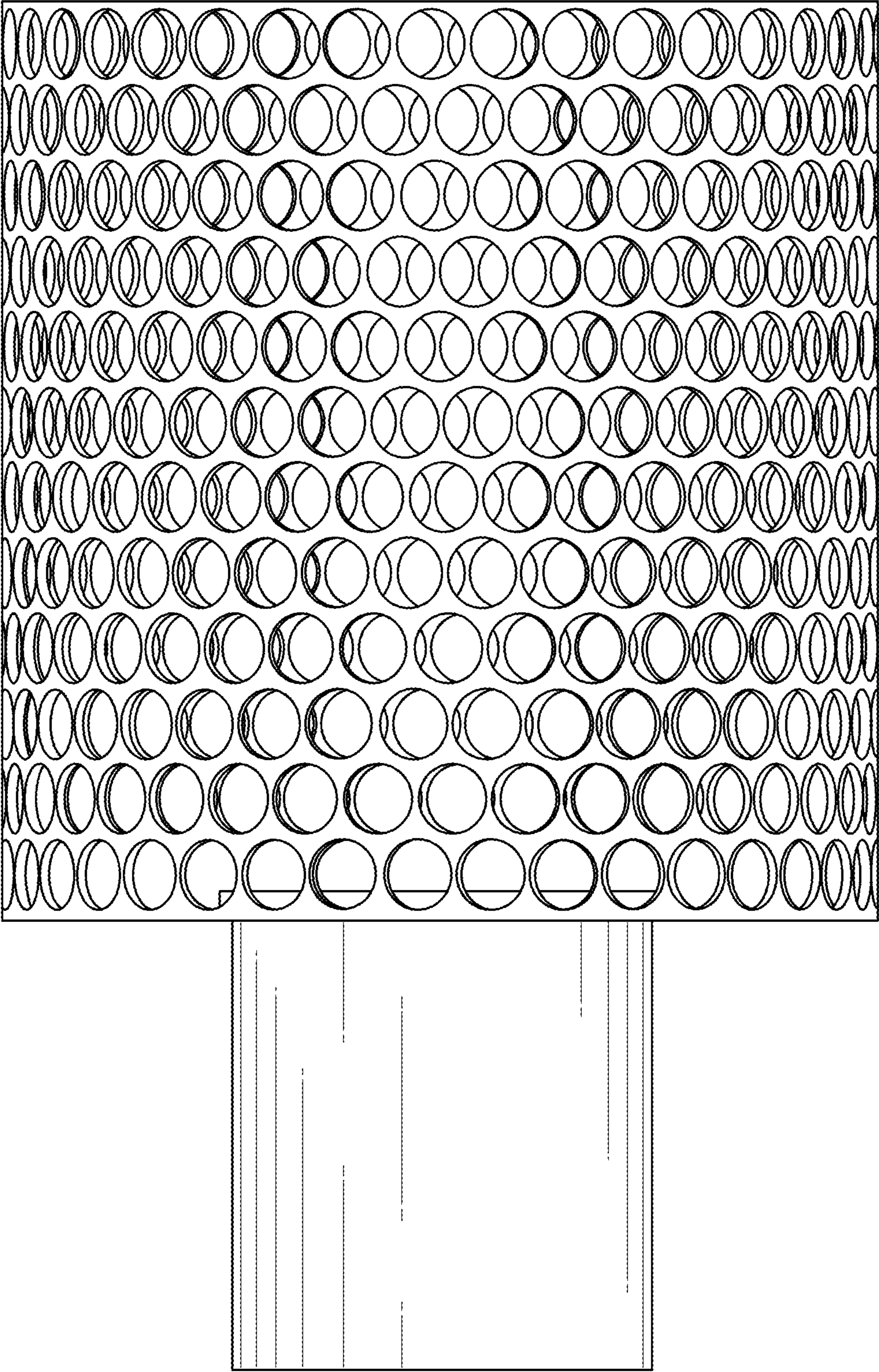


FIG. 4

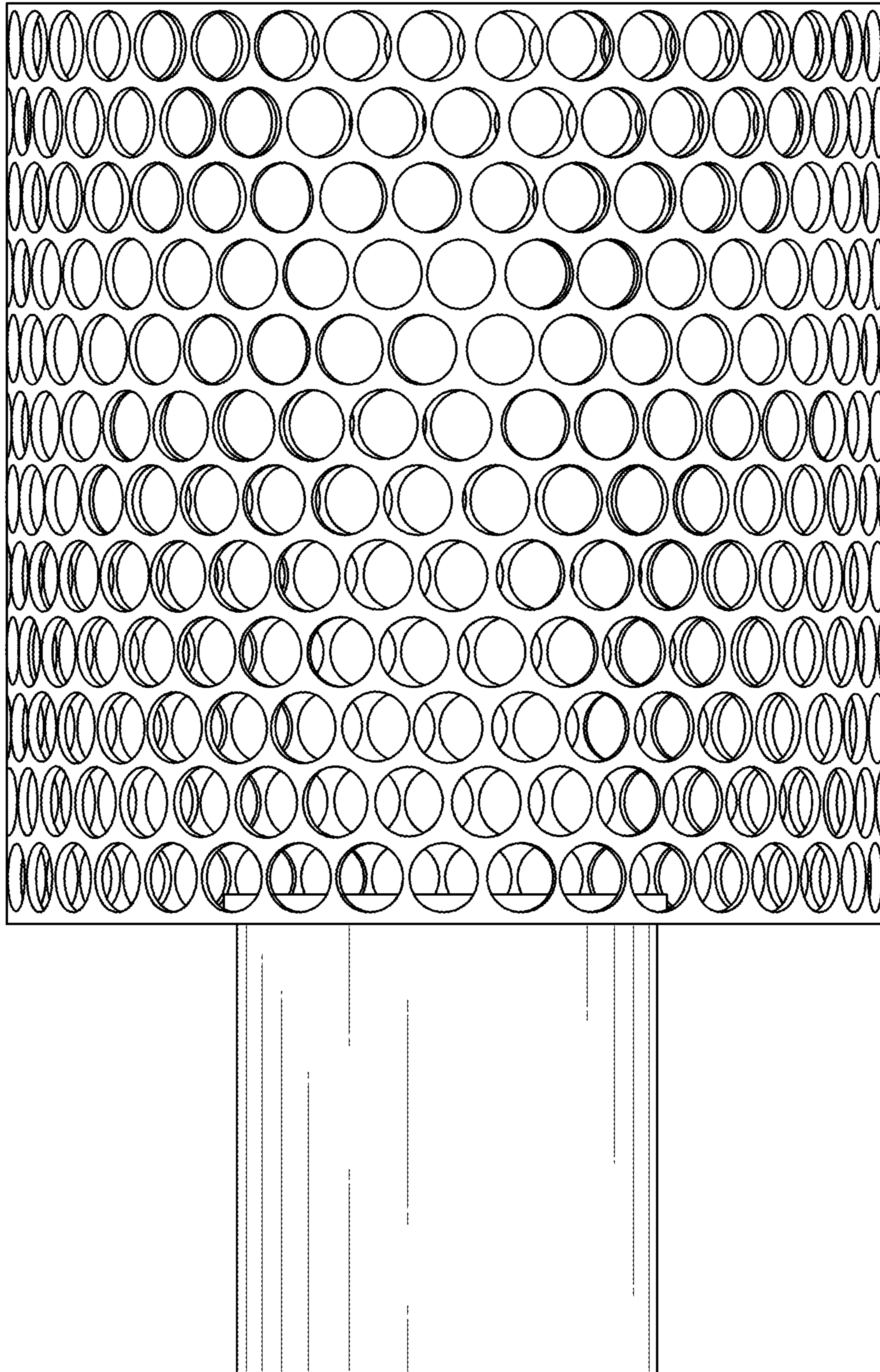


FIG. 5

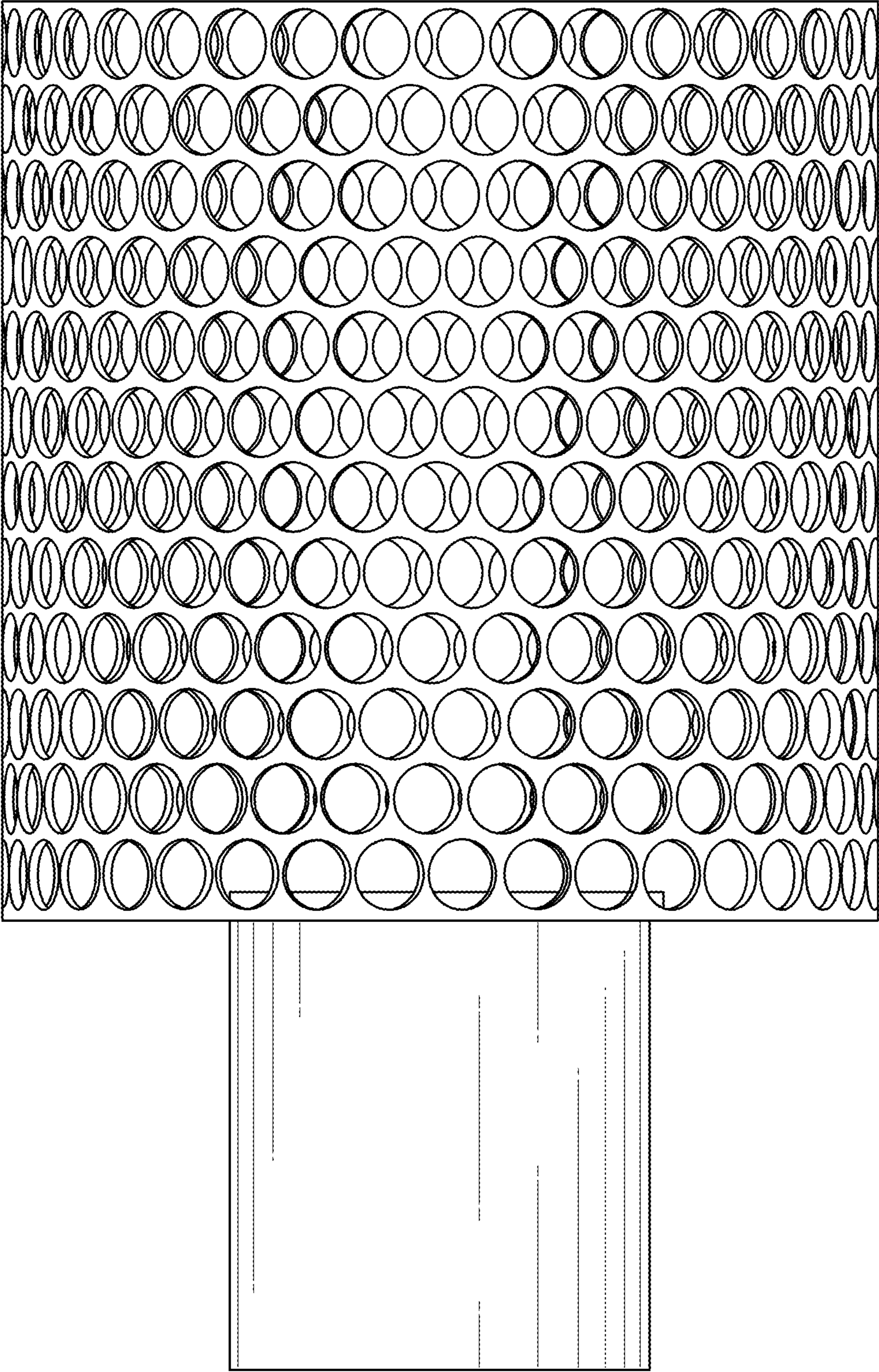


FIG. 6

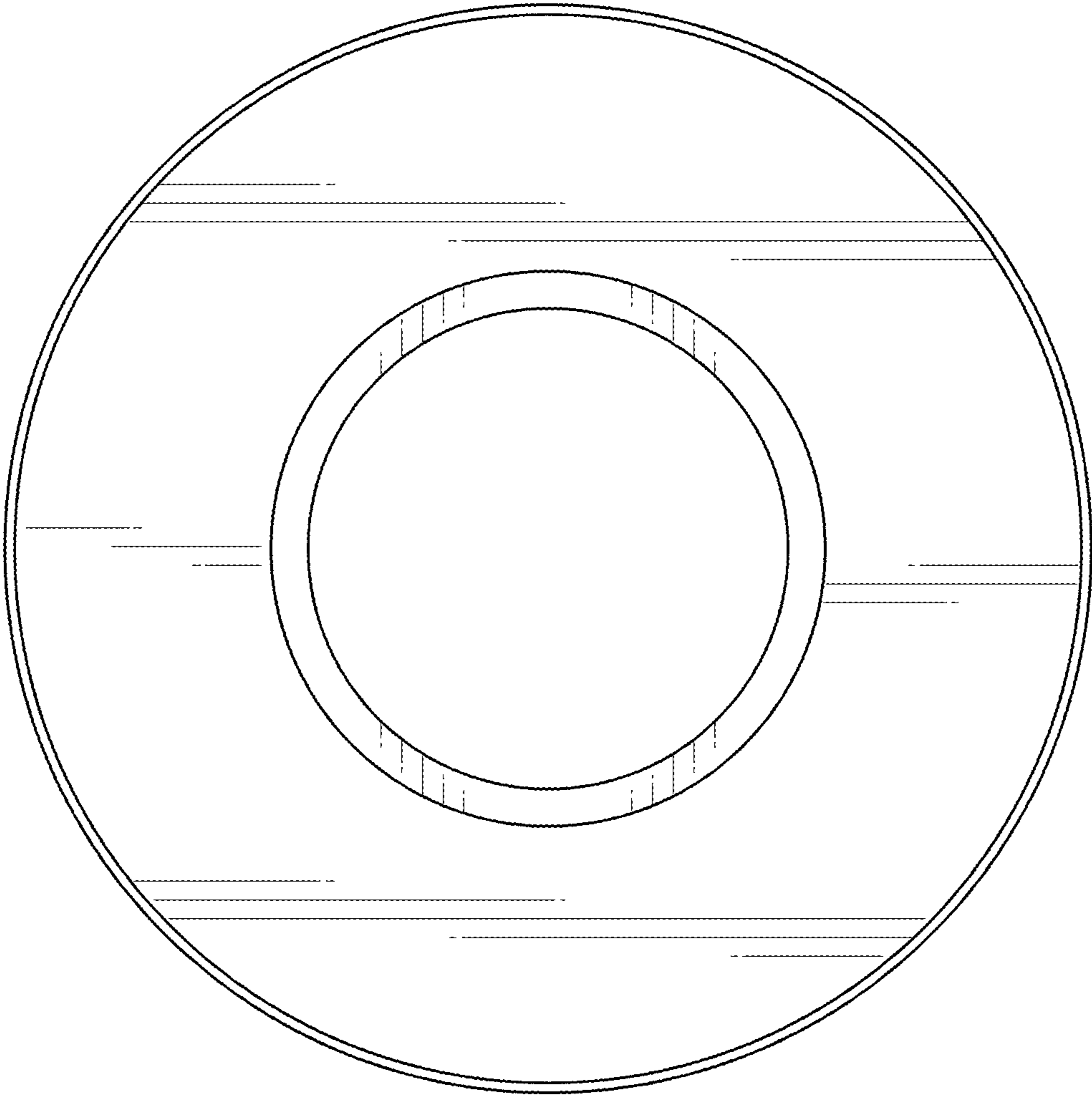


FIG. 7

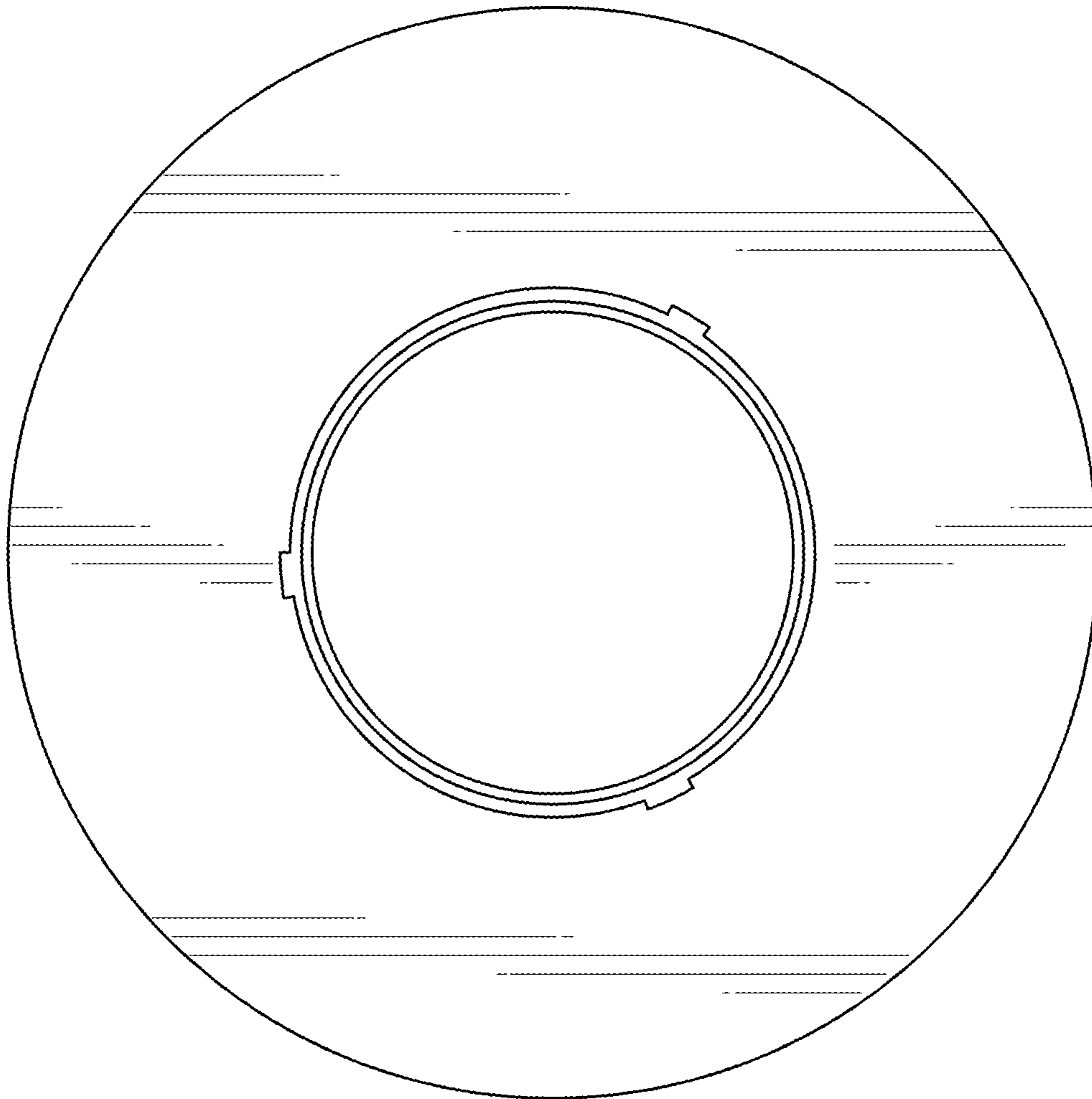


FIG. 8

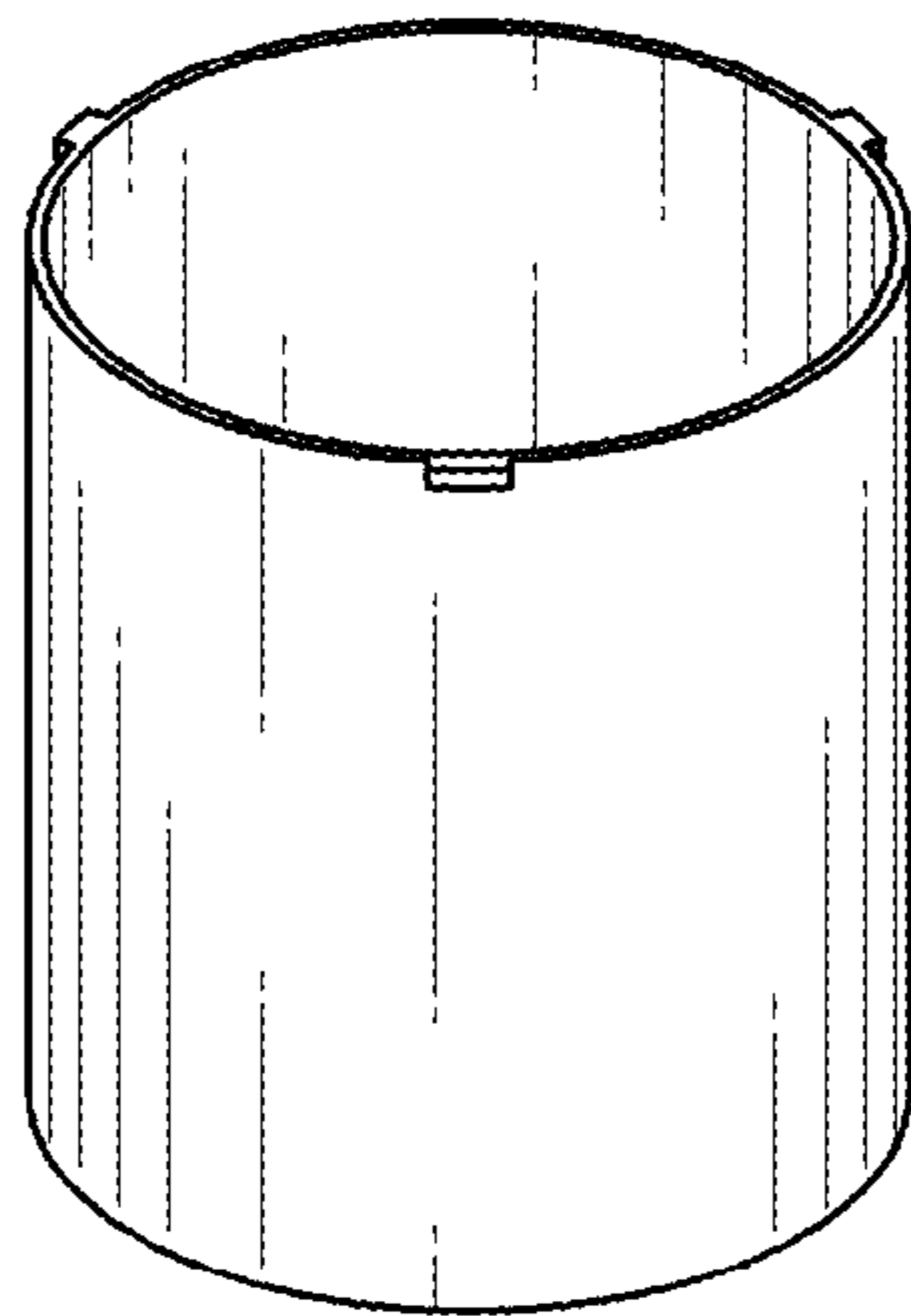
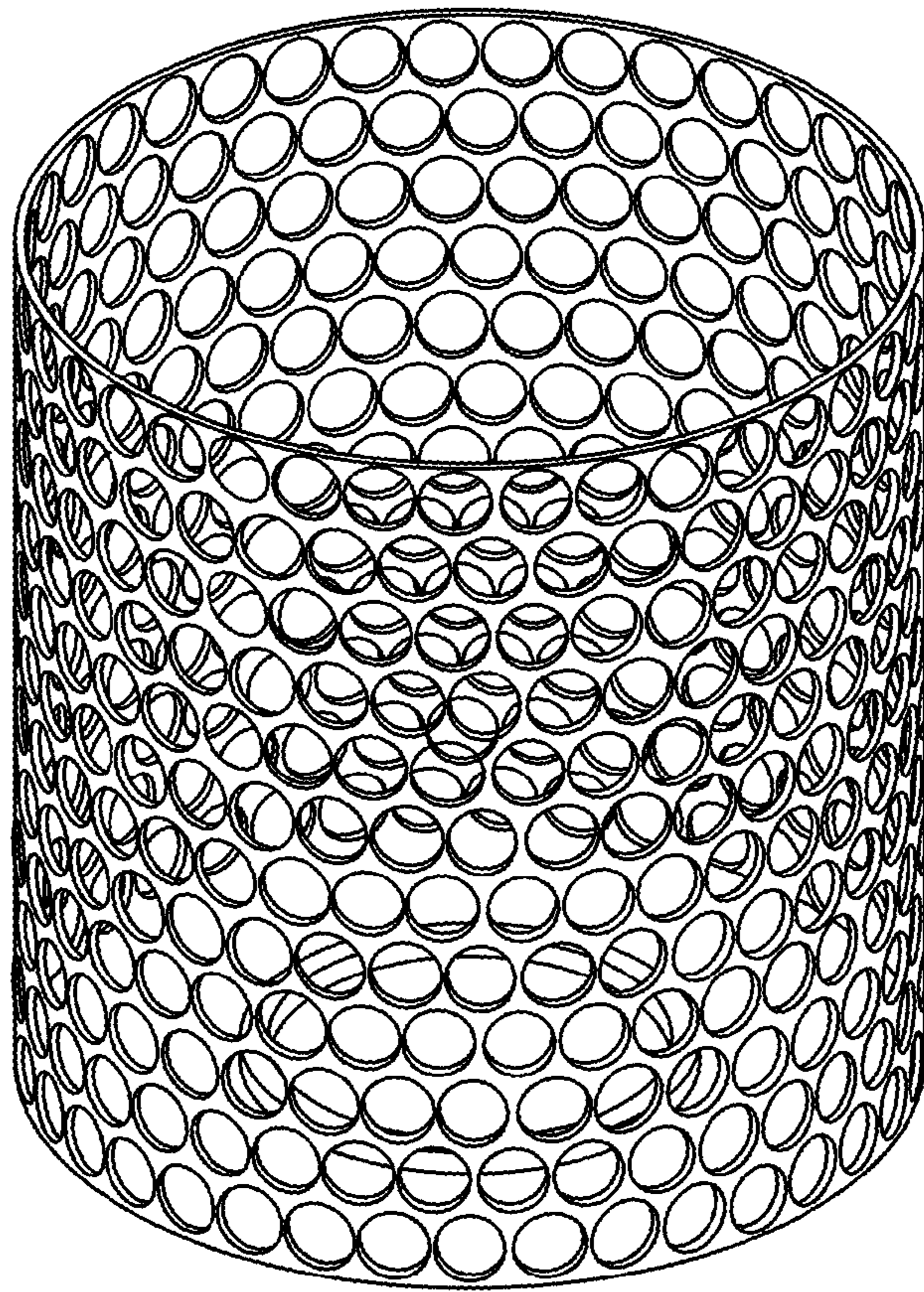


FIG. 9

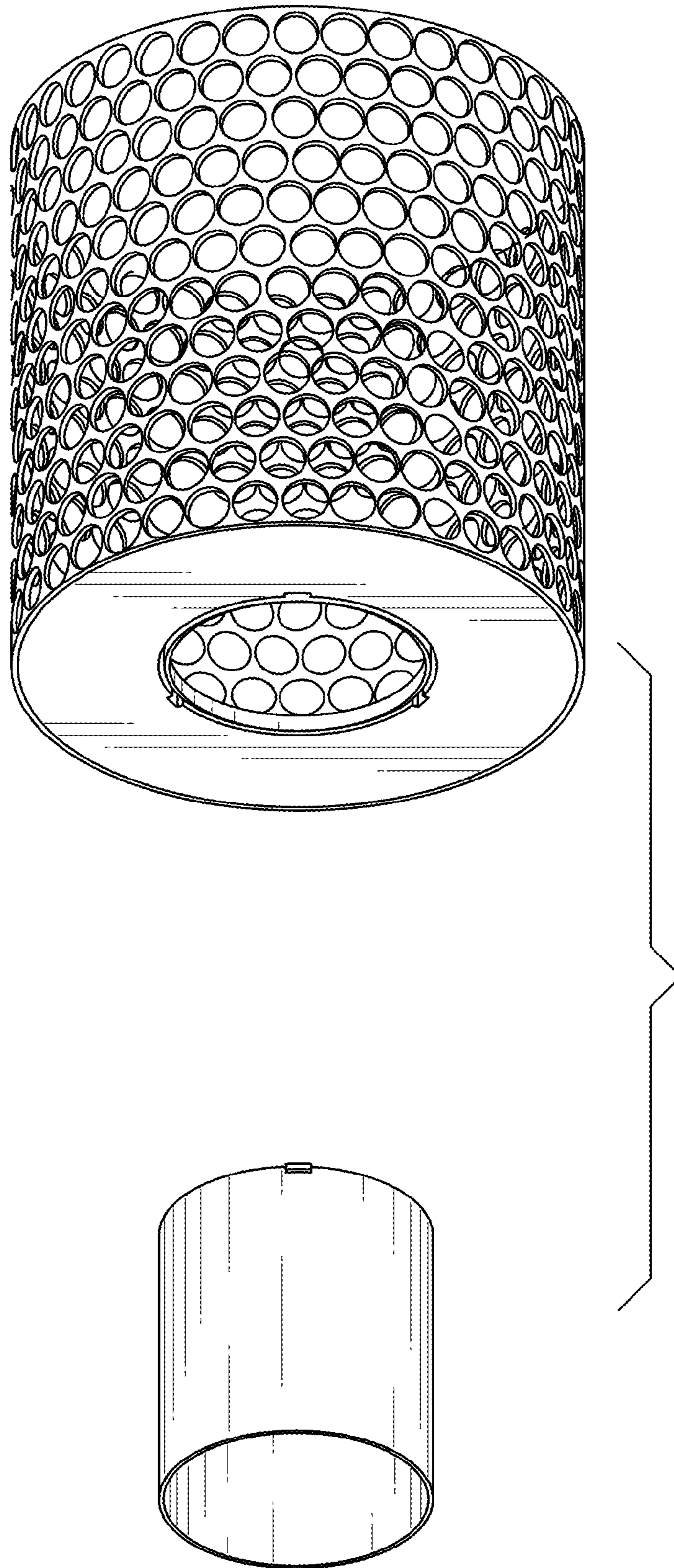


FIG. 10