



US00D983938S

(12) **United States Design Patent**
Chen

(10) **Patent No.:** **US D983,938 S**

(45) **Date of Patent:** **** Apr. 18, 2023**

(54) **FAUCET**

(71) Applicant: **Wenzhou Yutong Technology Co., Ltd.**, Wenzhou (CN)

(72) Inventor: **Hui Chen**, Ruian (CN)

(**) Term: **15 Years**

(21) Appl. No.: **29/755,673**

(22) Filed: **Oct. 22, 2020**

(51) **LOC (14) Cl.** **23-01**

(52) **U.S. Cl.**
USPC **D23/255**

(58) **Field of Classification Search**
USPC D23/238, 241–246, 248–258, 308;
D8/303, 307, 308, 315
CPC ... E03C 1/02; E03C 1/023; E03C 1/04; E03C
1/0404; E03C 1/0409; E03C 1/0411;
E03C 1/0412; Y10T 137/5339; Y10T
137/6014; Y10T 137/6024; Y10T
137/9464; F16K 11/0787; F16K 31/605
See application file for complete search history.

(56) **References Cited**

U.S. PATENT DOCUMENTS

D319,867 S *	9/1991	Delepine	D23/238
D320,259 S *	9/1991	Delepine	D23/238
D321,038 S *	10/1991	Delepine	D23/238
D323,550 S *	1/1992	Delepine	D23/257
D330,935 S *	11/1992	Delepine	D23/238
D521,613 S *	5/2006	Hoernig	D23/255
D533,639 S *	12/2006	Hoernig	D23/242
D575,849 S *	8/2008	Ko	D23/238
D575,851 S *	8/2008	Ko	D23/241
D607,545 S *	1/2010	Obara	D23/255
D625,778 S *	10/2010	Sandee	D23/238
D691,242 S *	10/2013	Gessi	D23/238
D809,103 S *	1/2018	Schoenherr	D23/238
D809,628 S *	2/2018	Schoenherr	D23/238

D809,630 S *	2/2018	Schoenherr	D23/242
D823,436 S *	7/2018	He	D23/238
D828,503 S *	9/2018	Schoenherr	D23/238
D832,401 S *	10/2018	Garuti	D23/238
D860,400 S *	9/2019	Diefenbach	D23/242
D861,135 S *	9/2019	Diefenbach	D23/238
D898,872 S *	10/2020	Massaud	D23/242
D961,053 S *	8/2022	Zhu	D23/242
2020/0087901 A1 *	3/2020	Rosko	E03C 1/084
2021/0207349 A1 *	7/2021	Ukigai	C23G 1/14

OTHER PUBLICATIONS

BWE Bathroom Faucet, posted on [Jan. 14, 2015] [online], [retrieved Nov. 10, 2022]. Retrieved from internet, https://www.amazon.com/BWE-Waterfall-Commercial-Bathroom-Lavatory/dp/B00S7SR1T0?source=ps-sl-shoppingads-lpcontext&ref_=fp1fs&smid=A35JW824RMRZQ9&th=1 (Year: 2015).*

(Continued)

Primary Examiner — Sharon S Oum

Assistant Examiner — Dasia Keanna Gregg

(74) *Attorney, Agent, or Firm* — Runit Ranjit Kanakia

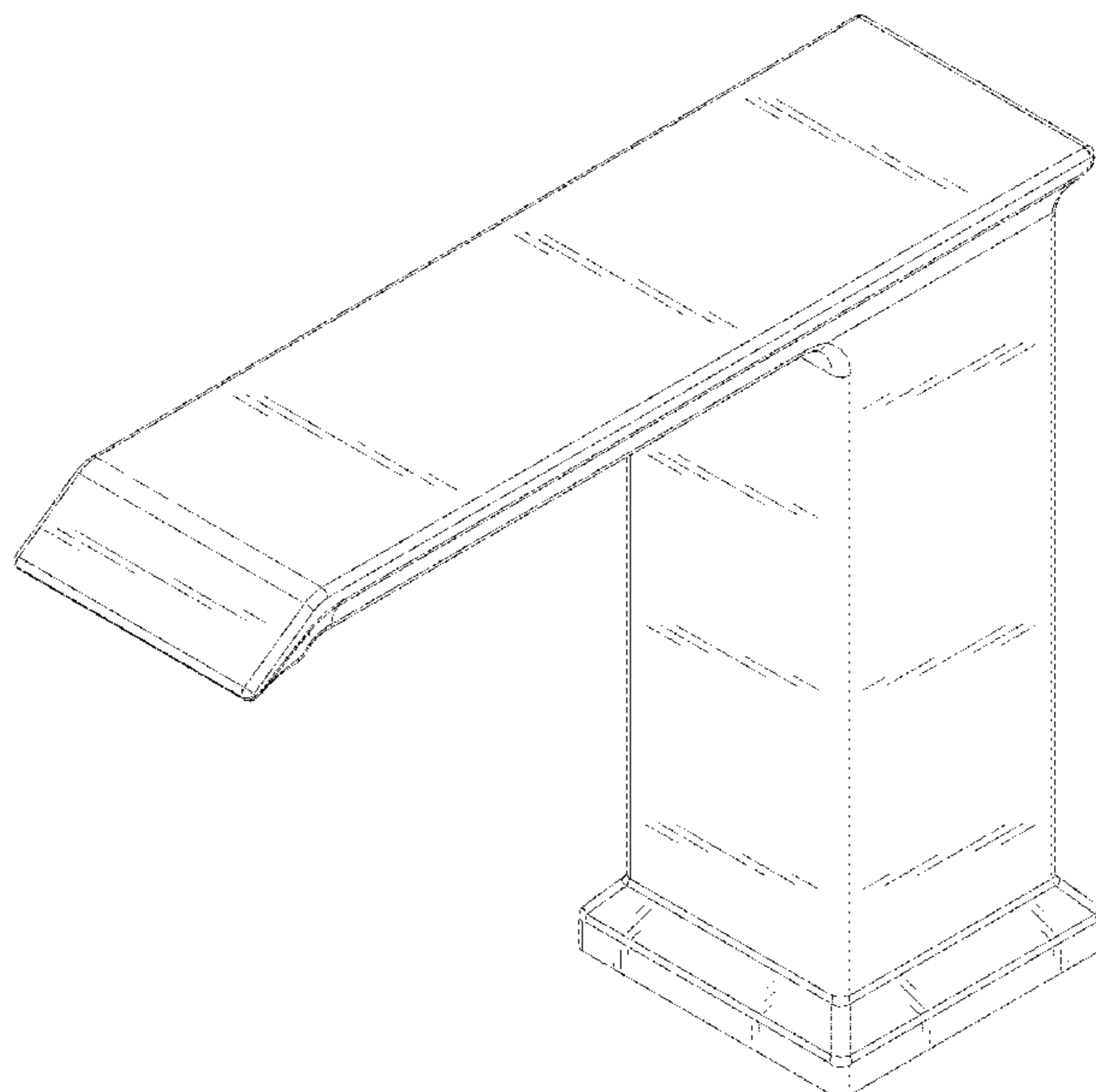
(57) **CLAIM**

I claim the ornamental design for a faucet, as shown and described.

DESCRIPTION

FIG. 1 is a Perspective view of a faucet showing my new design;
FIG. 2 is a Front view thereof;
FIG. 3 is a Back view thereof;
FIG. 4 is a Right-side view thereof;
FIG. 5 is a Left-side view thereof;
FIG. 6 is a Top view thereof; and,
FIG. 7 is a Bottom view thereof.
The broken lines are only for environmental purposes and form no part of the claimed design.

1 Claim, 7 Drawing Sheets



(56)

References Cited

OTHER PUBLICATIONS

Lavelle Wall Mount Tub Faucet with Waterfall Snout, posted on [Mar. 22, 2014] [online], [retrieved Dec. 1, 2022]. Retrieved from internet, <https://www.signaturehardware.com/lavelle-wall-mount-tub-faucet-with-waterfall-spout.html> (Year: 2014).*

Greenspring Matte Black Widespread Bathroom Faucet, posted on [May 3, 2022] [online], [retrieved Nov. 10, 2022]. Retrieved from internet, <https://www.amazon.com/Greenspring-Widespread-Bathroom-Waterfall-Assembly/dp/B09V4X74G6/> (Year: 2022).*

* cited by examiner

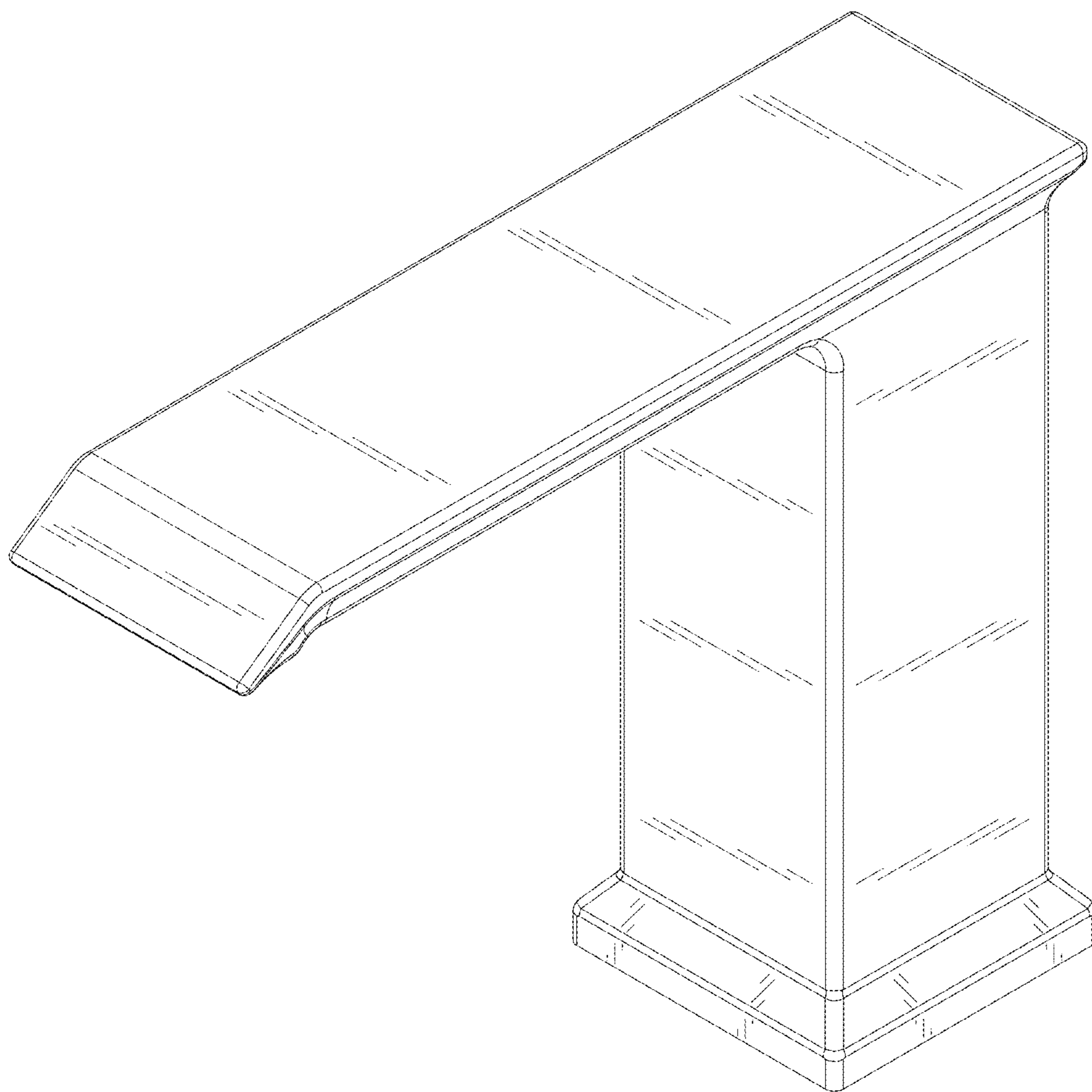


FIG. 1

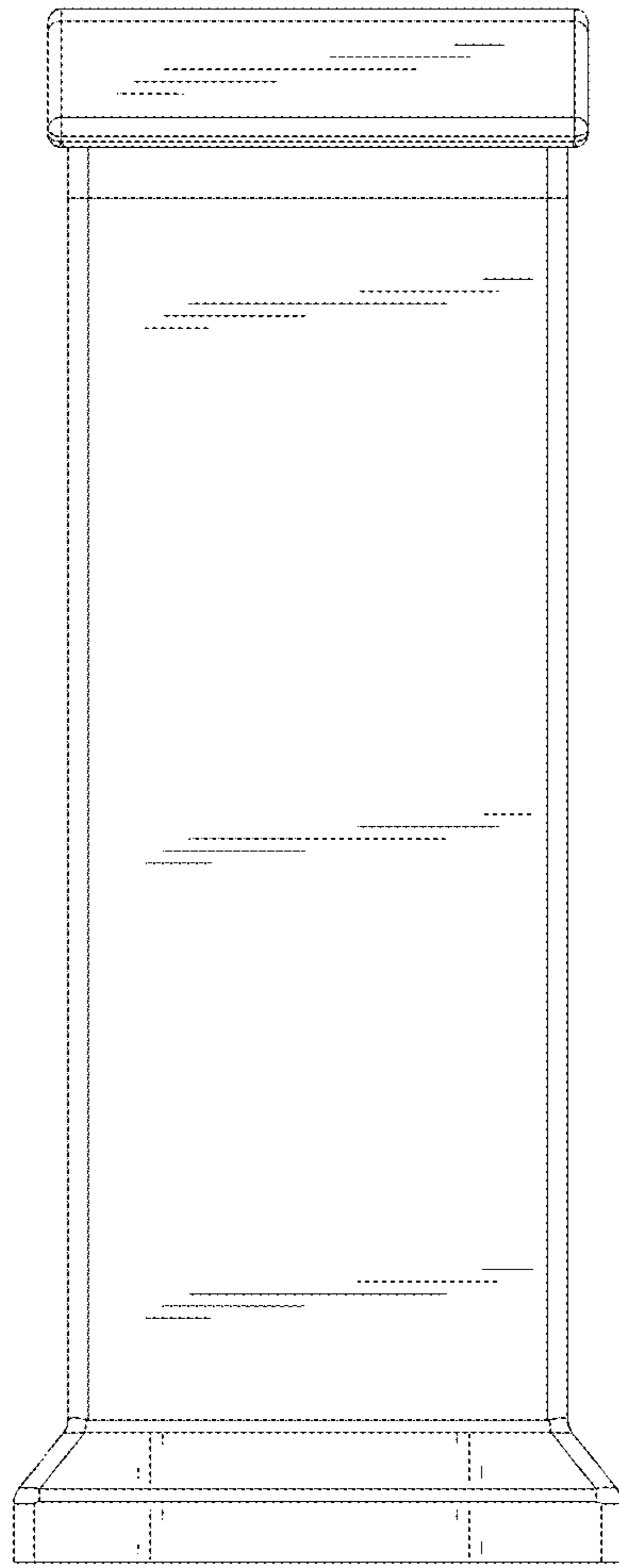


FIG. 2

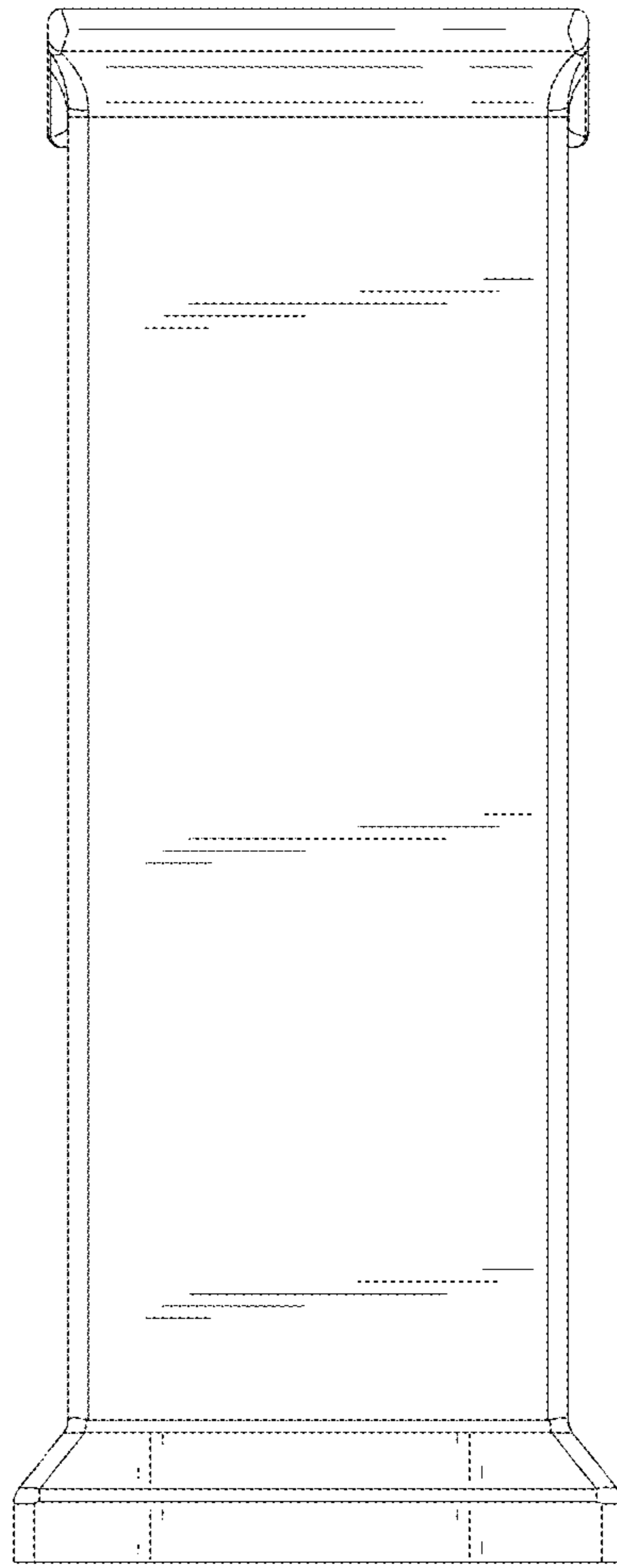


FIG. 3

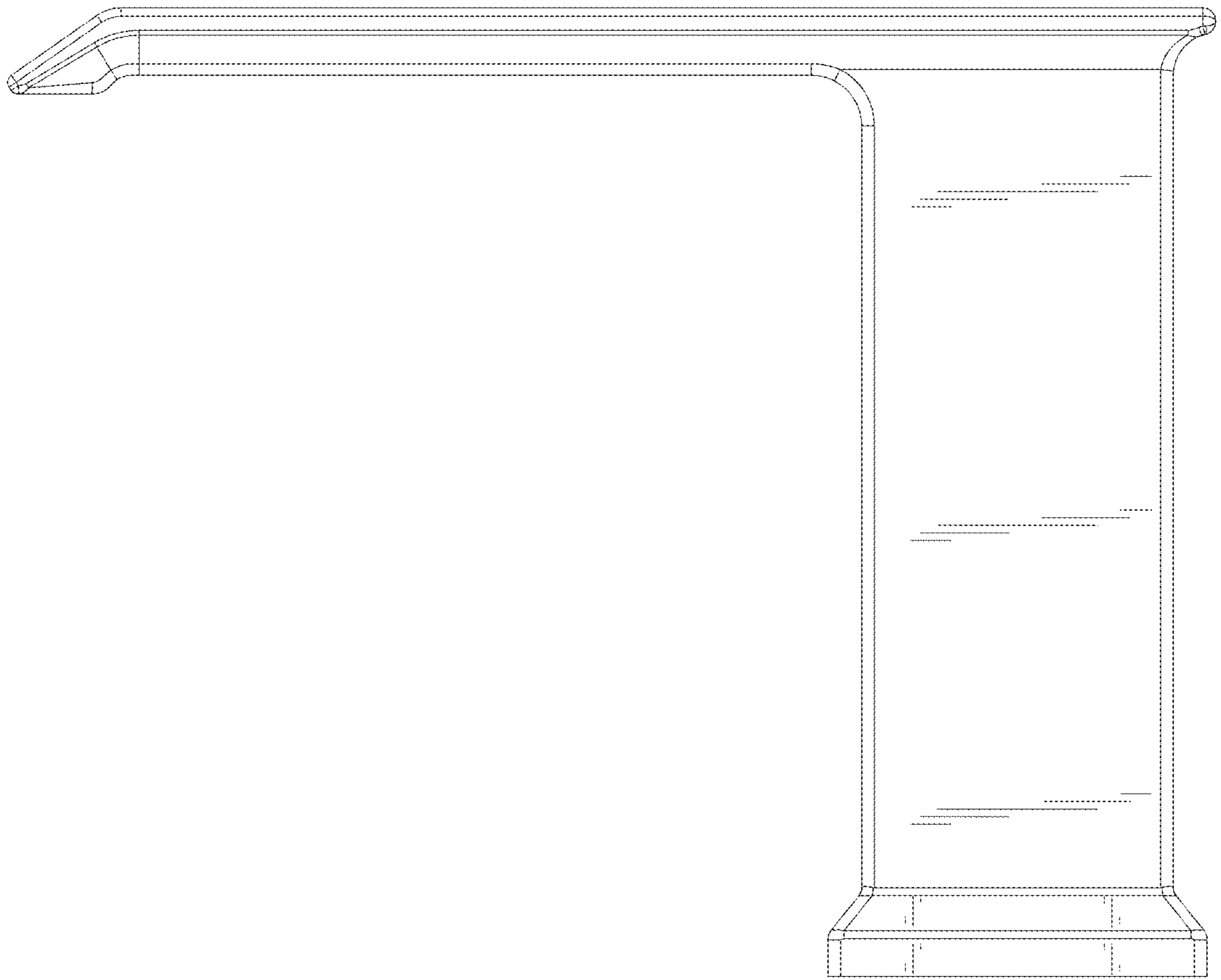


FIG. 4

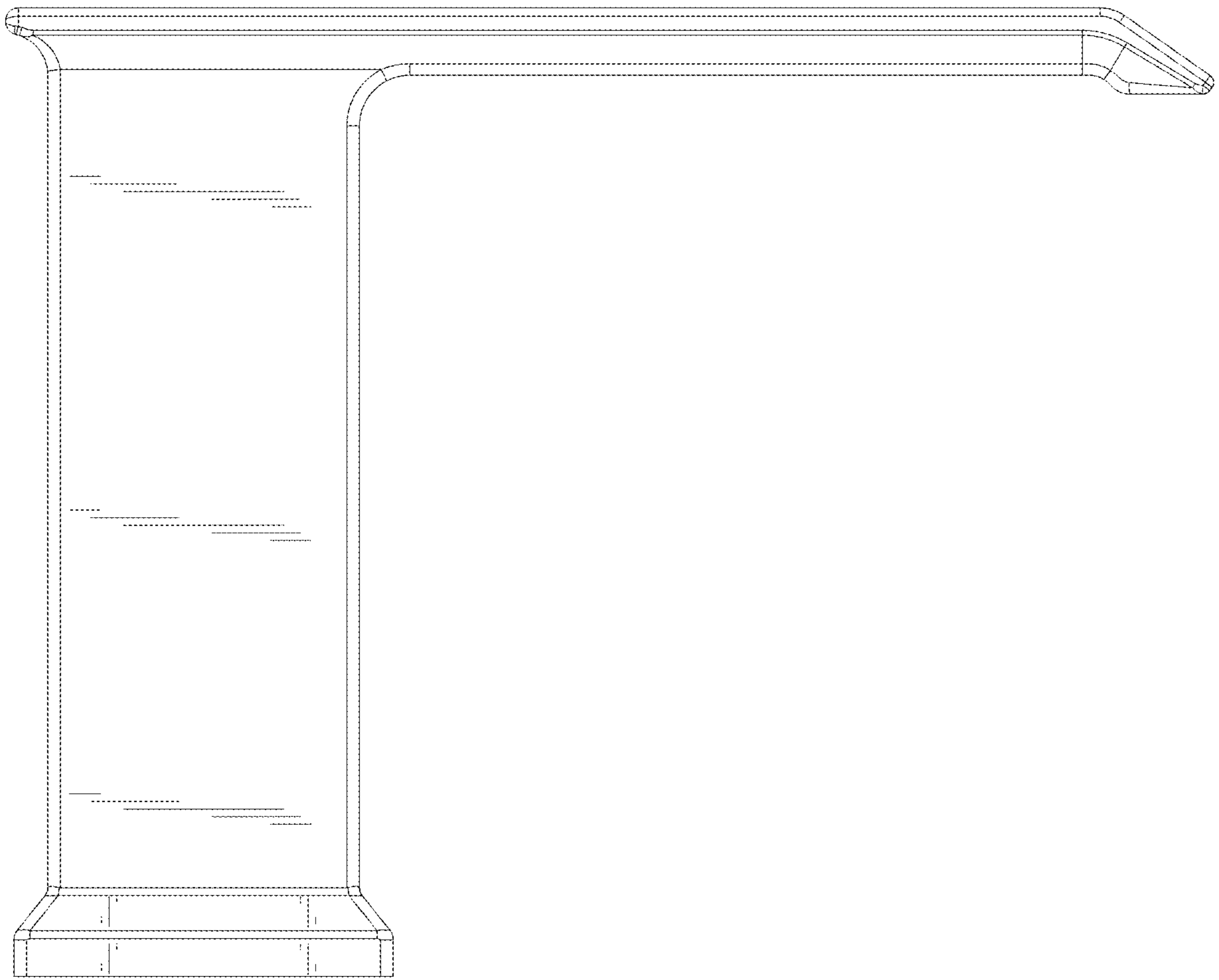


FIG. 5

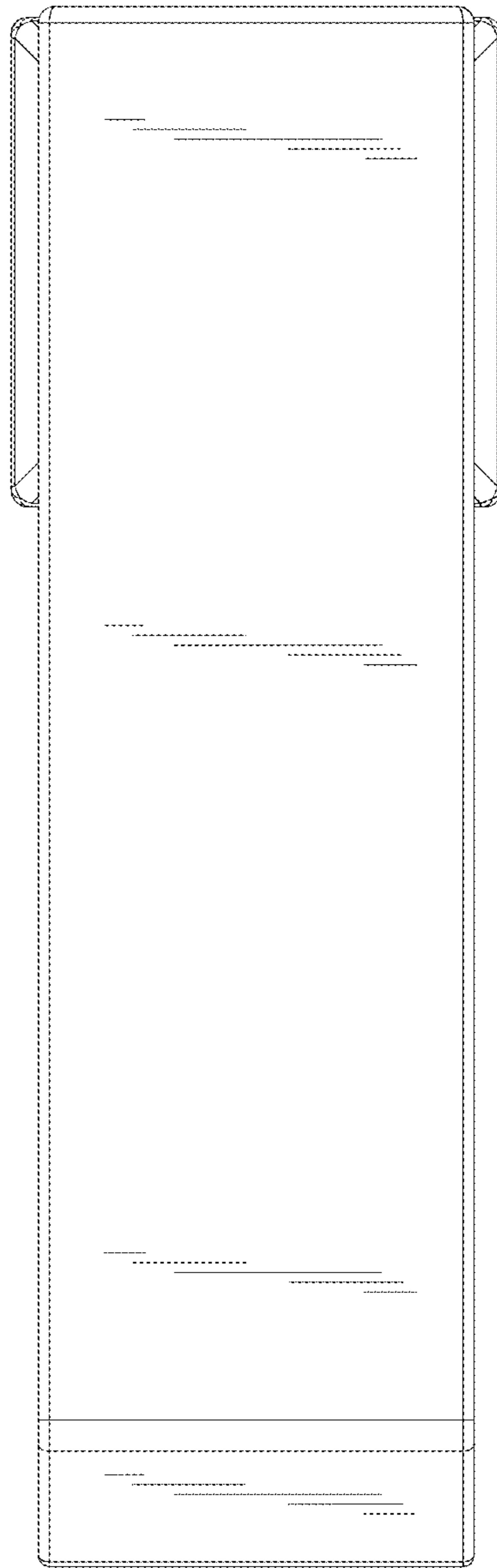


FIG. 6

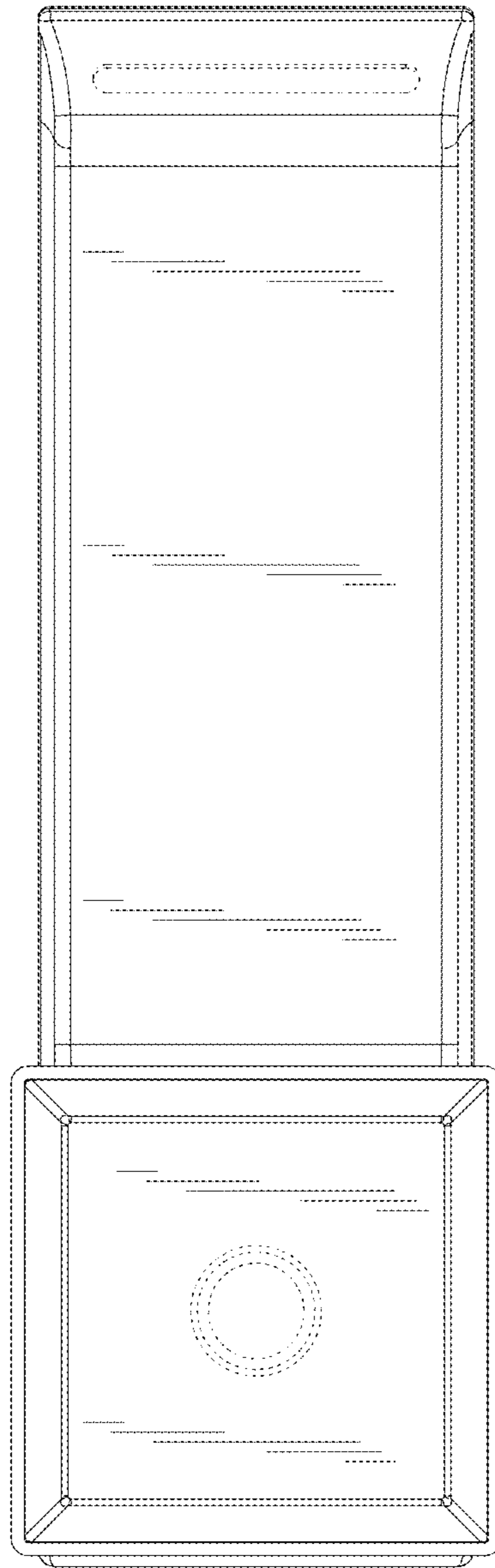


FIG. 7