



US00D983937S

(12) **United States Design Patent** (10) **Patent No.:** **US D983,937 S**
Chen (45) **Date of Patent:** **** Apr. 18, 2023**

(54) **SPOUT**

(71) Applicant: **Wenzhou Yutong Technology Co., Ltd.**, Wenzhou (CN)

(72) Inventor: **Hui Chen**, Ruian (CN)

(**) Term: **15 Years**

(21) Appl. No.: **29/755,672**

(22) Filed: **Oct. 22, 2020**

(51) **LOC (14) Cl.** **23-01**

(52) **U.S. Cl.**
USPC **D23/255**

(58) **Field of Classification Search**
USPC D23/238, 241–243, 249, 239–240, 255,
D23/257
See application file for complete search history.

(56) **References Cited**

U.S. PATENT DOCUMENTS

D576,710 S *	9/2008	Fritz	D23/238
D677,761 S *	3/2013	Lord	D23/255
D692,107 S *	10/2013	Yu	D23/238
D861,137 S *	9/2019	Chen	D23/255
D873,384 S *	1/2020	Guo	D23/255

OTHER PUBLICATIONS

Pfister Kenzo Wall Mounted Bathroom Faucet (Less Valve) Model:LG49-DF1C, Build.com https://www.build.com/product/summary/1220169?uid=2918844&jmtest=gg-gbav2_2918843&inv2=1&source=gg-gba-pla_2918843%21c1704086357%21a66021778985%21dc%21ng&gclid=EA1aIQobChMIuYHa8_qK_AIVGOXICH0jKgIMEAkYBiABEGKLUfD_BwE&gcl (Year: 2022).*

* cited by examiner

Primary Examiner — Robert A Delehanty

(74) *Attorney, Agent, or Firm* — Runit Ranjit Kanakia

(57) **CLAIM**

I claim the ornamental design for a spout, as shown and described.

DESCRIPTION

FIG. 1 is a Perspective view of a spout showing my new design;

FIG. 2 is a Front view thereof;

FIG. 3 is a Back view thereof;

FIG. 4 is a Right-side view thereof;

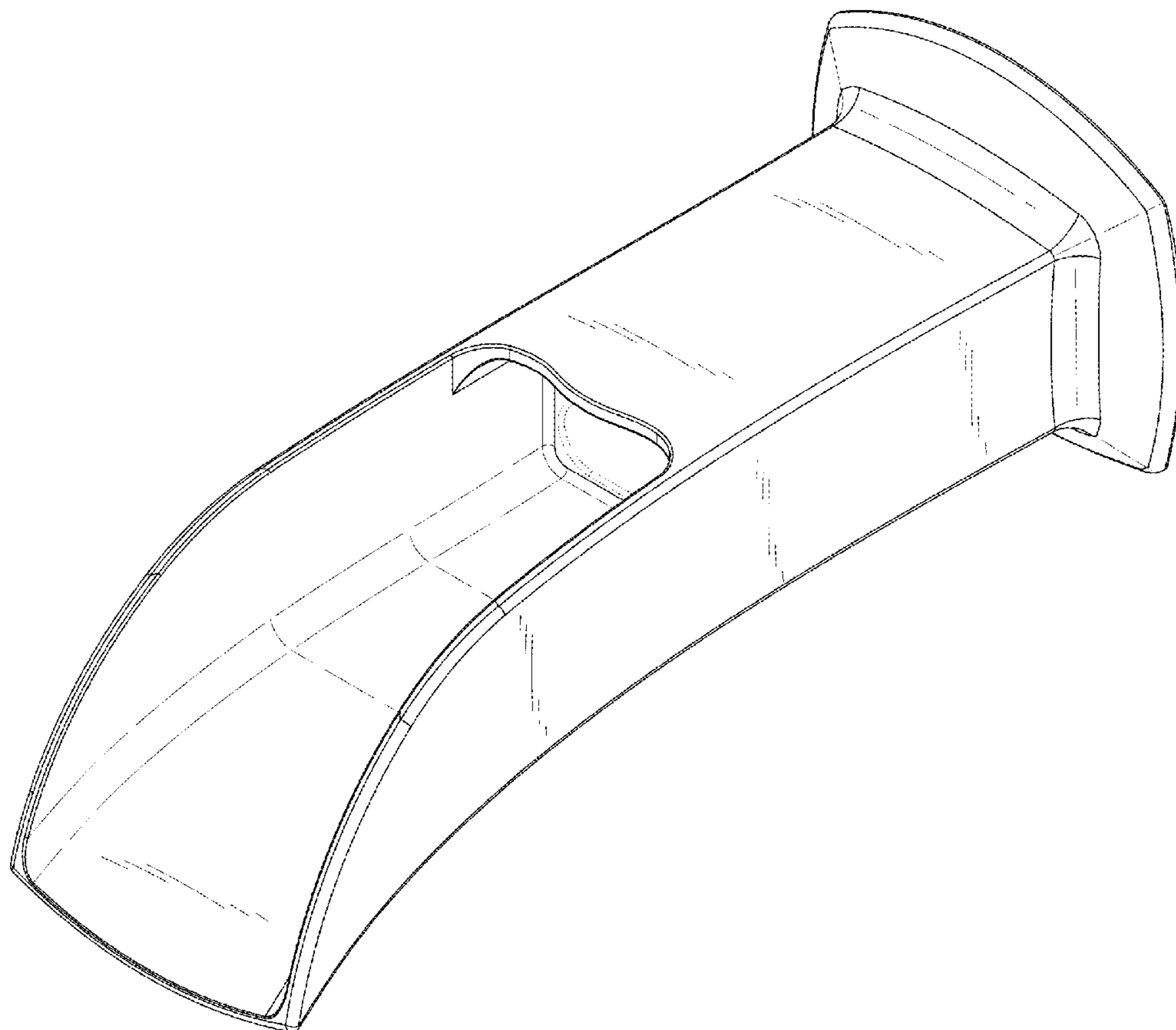
FIG. 5 is a Left-side view thereof;

FIG. 6 is a Top view thereof; and,

FIG. 7 is a Bottom view thereof.

The broken lines are only for environmental purposes and form no part of the claimed design.

1 Claim, 7 Drawing Sheets



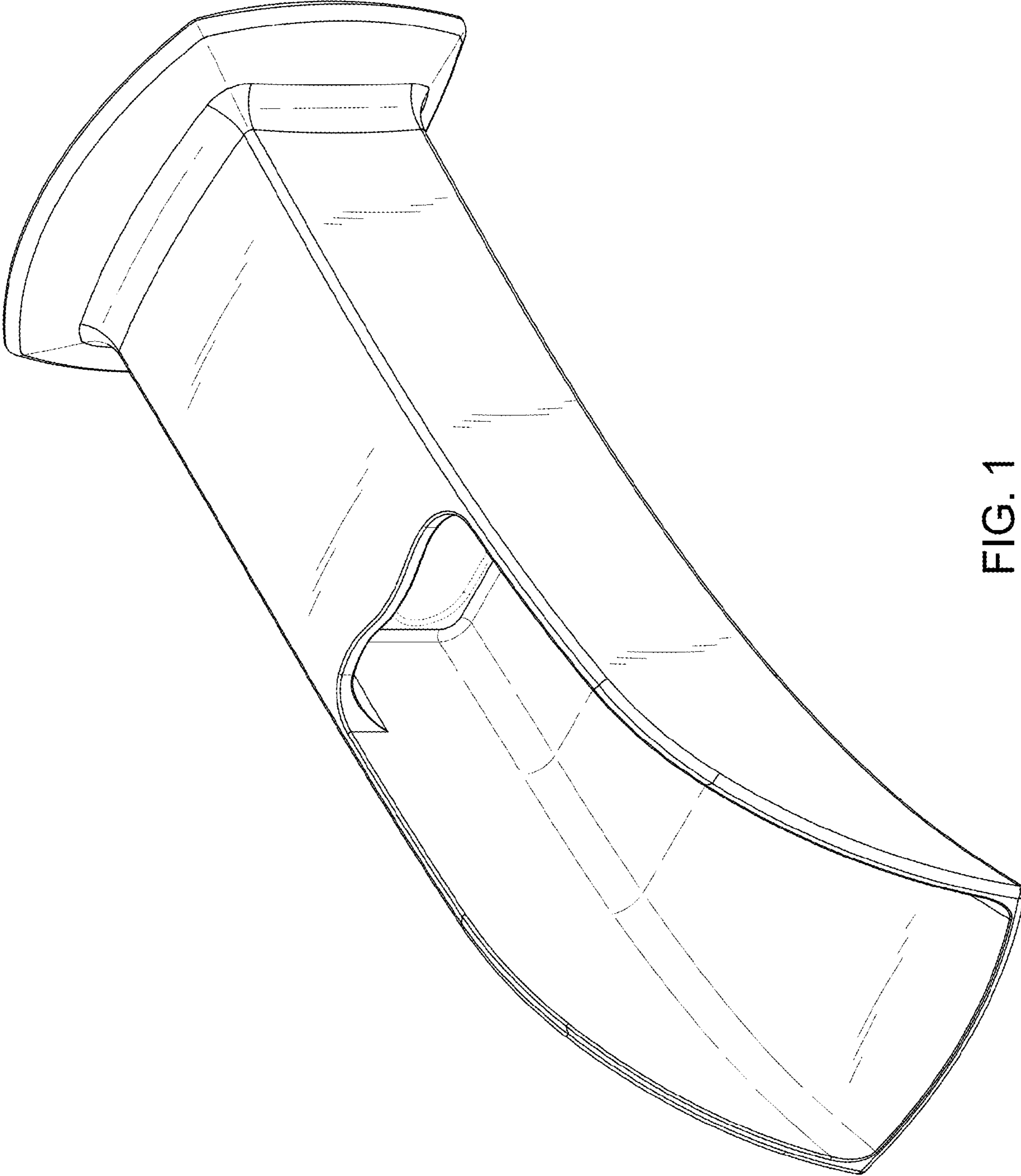


FIG. 1

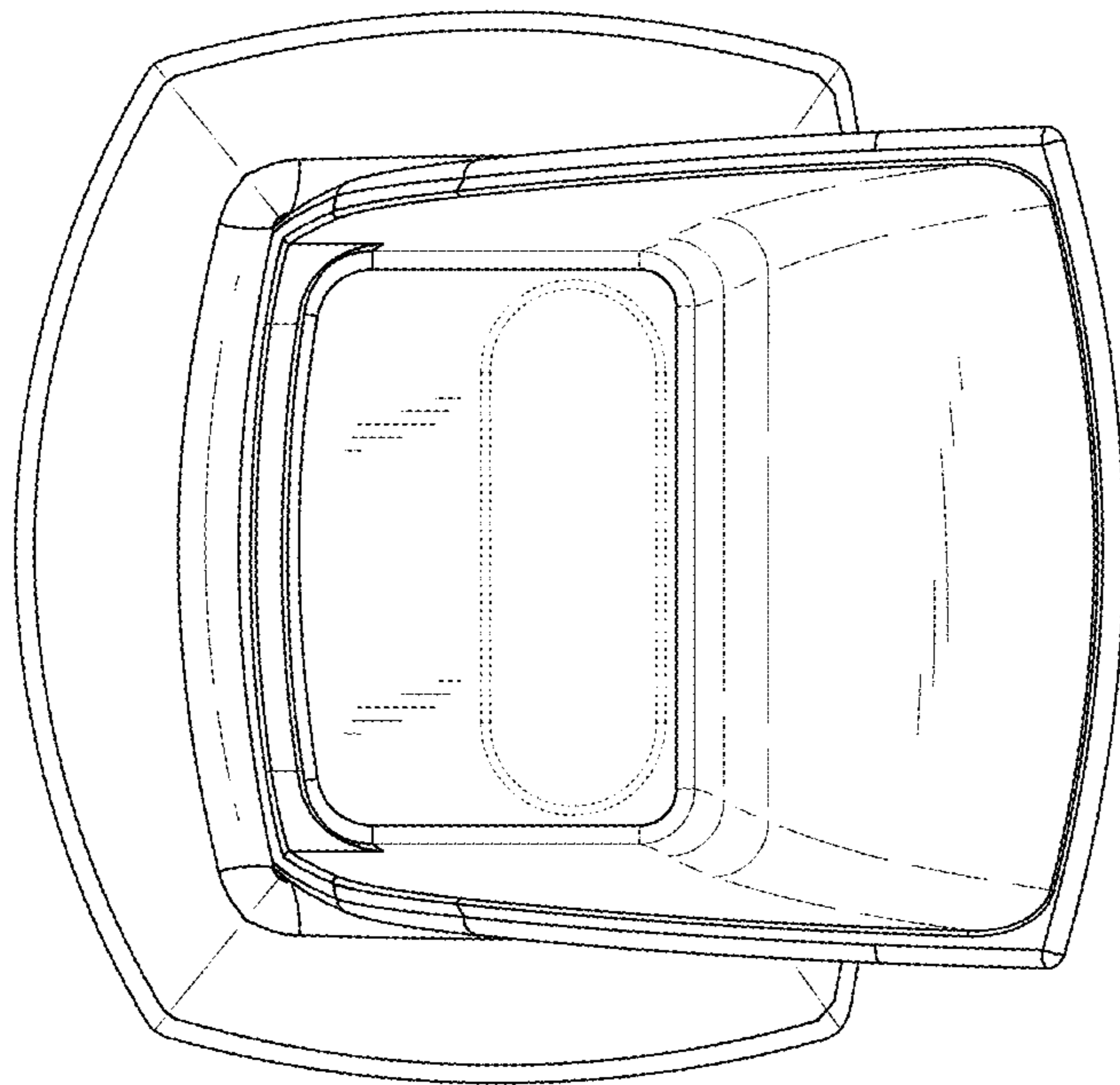


FIG. 2

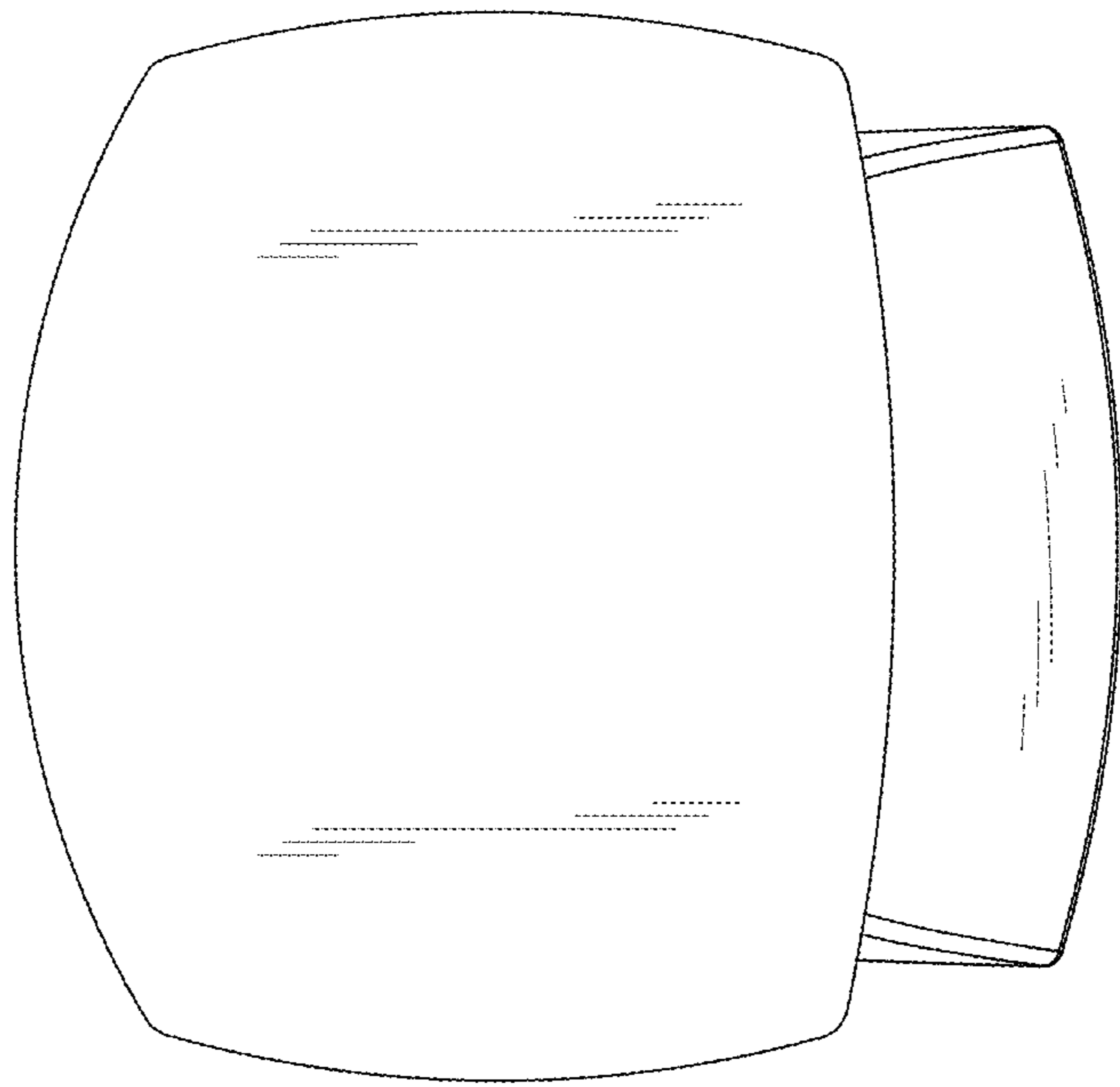


FIG. 3

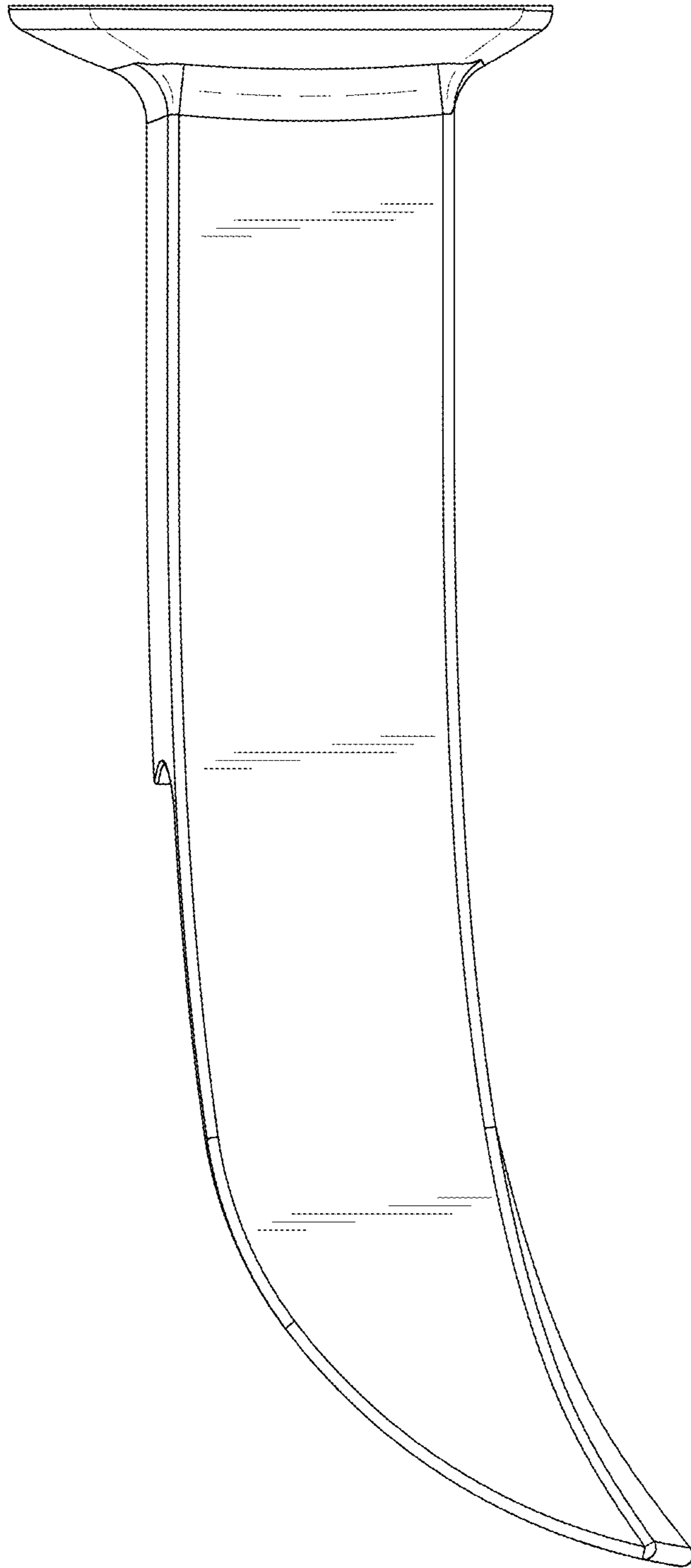


FIG. 4

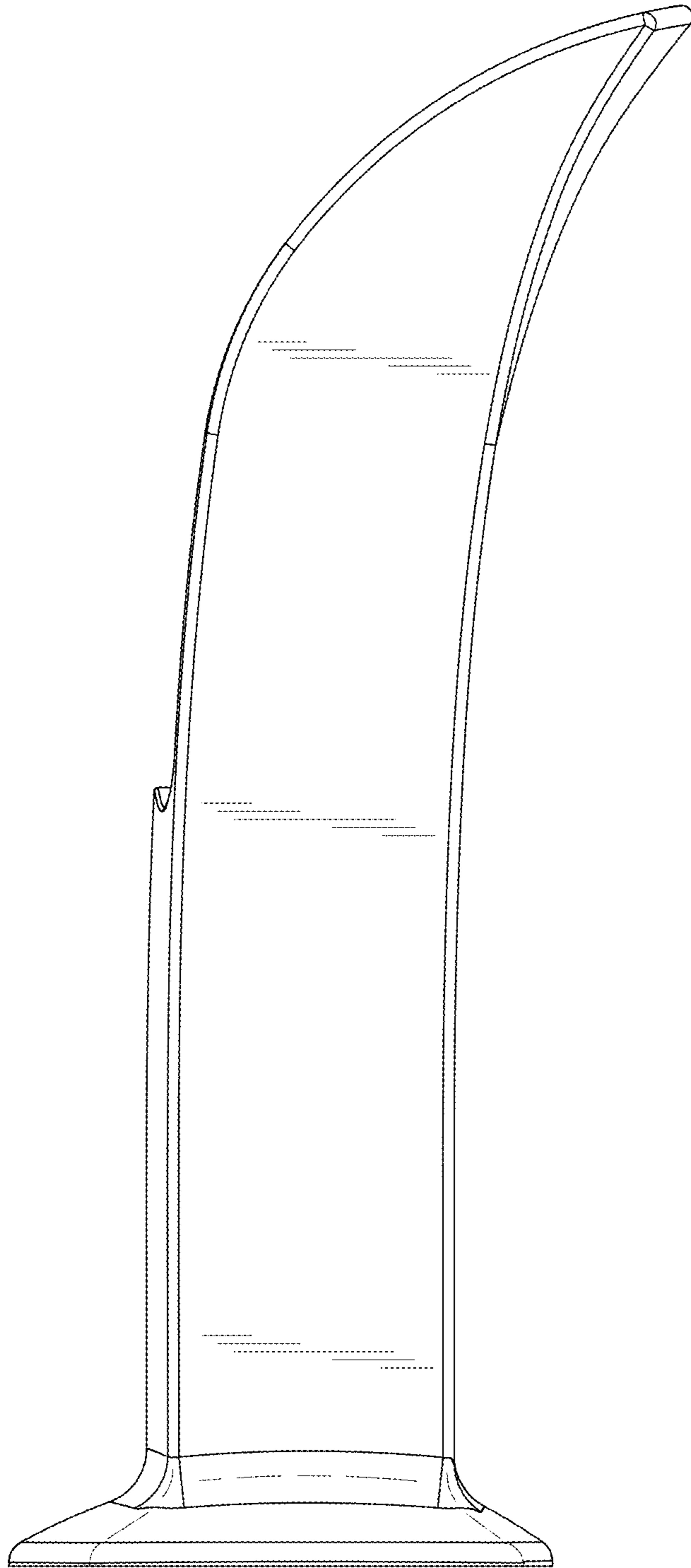


FIG. 5

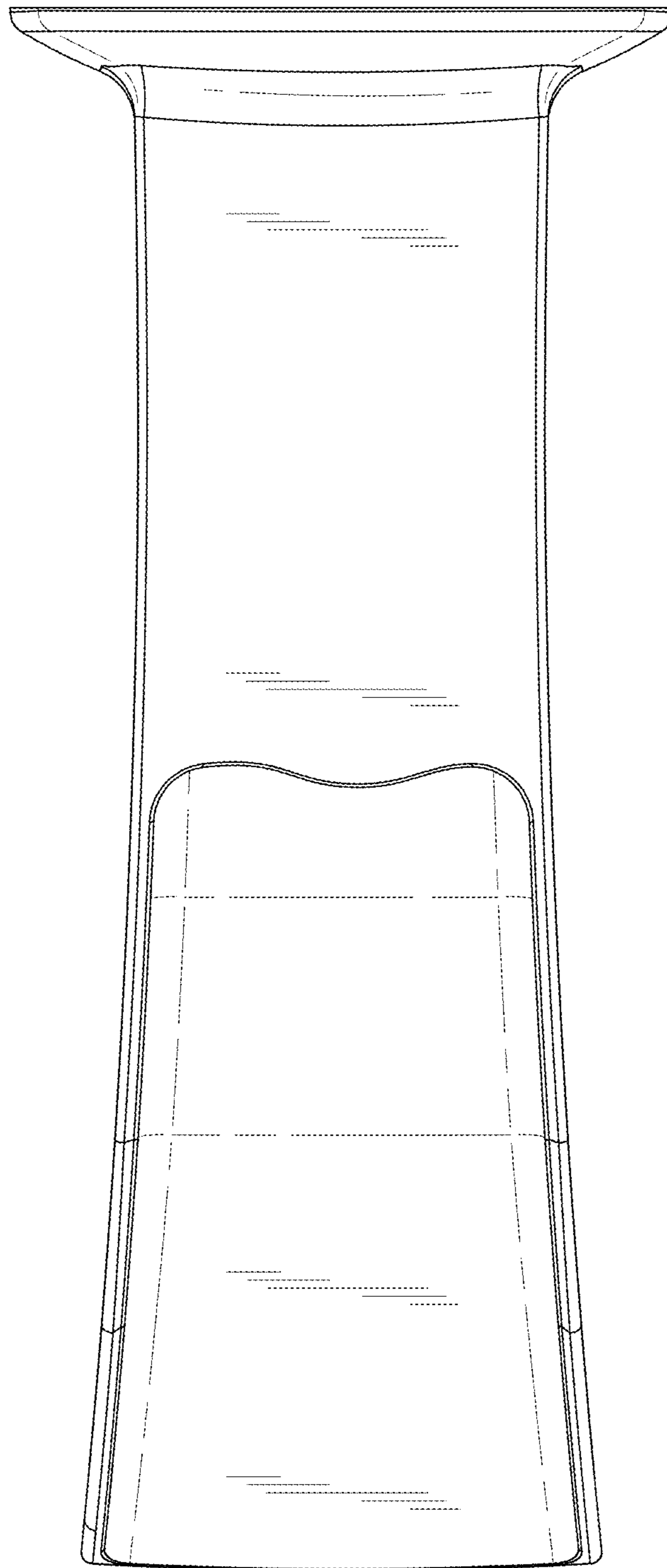


FIG. 6

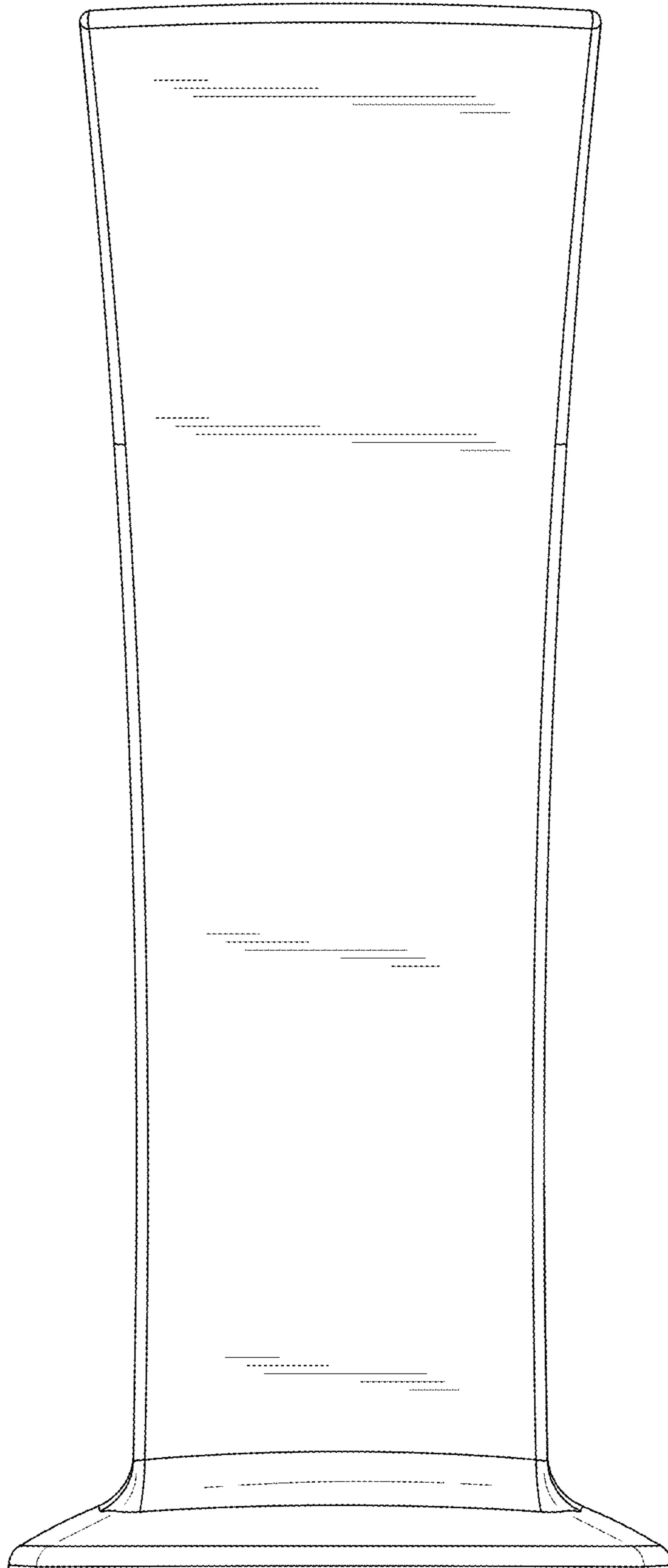


FIG. 7