



US00D983935S

(12) **United States Design Patent**
Doherty

(10) **Patent No.:** **US D983,935 S**

(45) **Date of Patent:** **** Apr. 18, 2023**

- (54) **ONE PIECE ADJUSTABLE SHOWER ARM**
- (71) Applicant: **Christopher Doherty**, Trabuco Canyon, CA (US)
- (72) Inventor: **Christopher Doherty**, Trabuco Canyon, CA (US)
- (**) Term: **15 Years**

D935,565 S *	11/2021	Liu	D23/238
D946,119 S *	3/2022	Levi	D23/238
D954,196 S *	6/2022	Downey	D23/238
D964,520 S *	9/2022	Kulig	D23/238
D967,341 S *	10/2022	Yan	D23/249
D968,575 S *	11/2022	Li	D23/245
D974,534 S *	1/2023	Chen	D23/249
D975,247 S *	1/2023	Chen	D23/249

(Continued)

- (21) Appl. No.: **29/811,631**
- (22) Filed: **Oct. 15, 2021**
- (51) **LOC (14) Cl.** **23-01**
- (52) **U.S. Cl.**
USPC **D23/238**
- (58) **Field of Classification Search**
USPC D23/213, 214, 215, 223, 224, 226, 229,
D23/230, 238, 243-245, 262-264, 266
CPC A61H 9/0021; A61H 33/00; B05B 1/00;
B05B 1/14; B05B 1/185; B05B 1/08;
B05B 1/02; B05B 1/26; B05B 12/002;
B05B 1/18; B05B 9/01
See application file for complete search history.

OTHER PUBLICATIONS

American Standard 1660103.002 Rain Ceiling Mount Shower, Apr. 22, 2013, amazon.ca, Feb. 10, 2023, URL: <https://www.amazon.ca/American-Standard-1660-103-002-3-Inch-Escutcheon/dp/B00CH4P0H0/> (Year: 2013).*

(Continued)

Primary Examiner — Keith J Wilson

(57) **CLAIM**

The ornamental design for a one piece adjustable shower arm, as shown and described.

DESCRIPTION

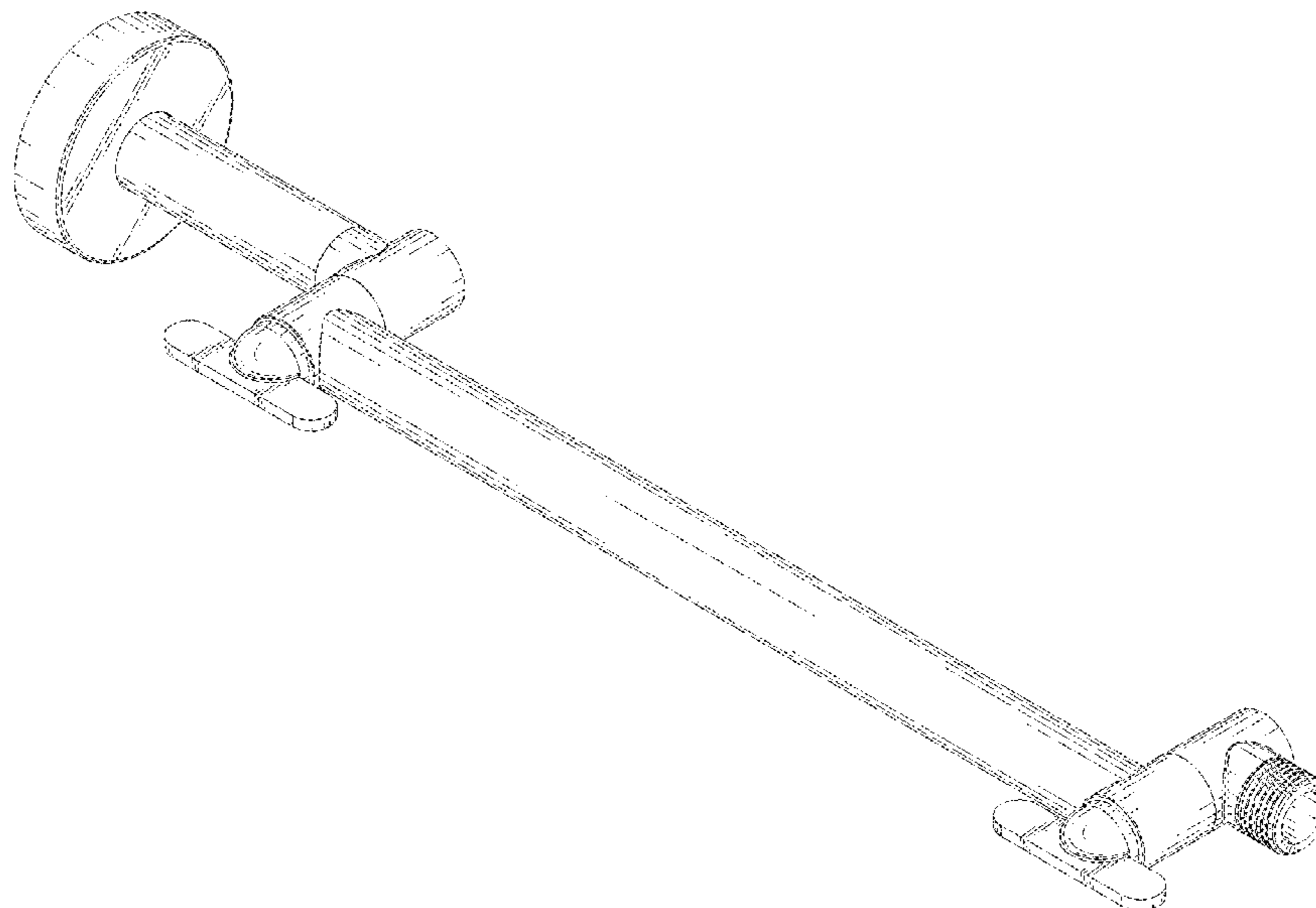
FIG. 1 is a top front perspective view of a one piece adjustable shower arm showing my new design; FIG. 2 is a bottom rear perspective view thereof; FIG. 3 is a left elevational view thereof; FIG. 4 is a right elevational view thereof; FIG. 5 is a top plan view thereof; FIG. 6 is a bottom plan view thereof; FIG. 7 is a front elevational view thereof; FIG. 8 is a back elevational view thereof; and, FIG. 9 is a reduced top front perspective view thereof, showing the assembly with a wall and a showerhead. The broken line showing the wall and the showerhead in FIG. 9 is included for the purpose of illustrating environmental structure and forms no part of the claimed design.

1 Claim, 9 Drawing Sheets

(56) **References Cited**

U.S. PATENT DOCUMENTS

D347,262 S *	5/1994	Black	D23/230
D551,324 S *	9/2007	Wilcox	D23/243
D557,380 S *	12/2007	Shieh	D23/238
D560,762 S *	1/2008	Eckhaus	D23/249
D563,192 S *	3/2008	Barry	D23/245
D751,667 S *	3/2016	Bahler	D23/213
D835,237 S *	12/2018	Ziemann	D23/238
D835,238 S *	12/2018	Ziemann	D23/238
D862,652 S *	10/2019	Zeng	D23/238
D917,014 S *	4/2021	Wang	D23/238
D919,051 S *	5/2021	Zeng	D23/238
D924,362 S *	7/2021	Zhu	D23/238
D927,647 S *	8/2021	Liang	D23/238
D931,416 S *	9/2021	Chen	D23/238



(56)

References Cited

U.S. PATENT DOCUMENTS

2022/0341136 A1* 10/2022 Zhou E03C 1/023

OTHER PUBLICATIONS

Aqua Elegant Adjustable Shower Head Extension Arm—10 Inch, Oct. 25, 2016, amazon.com, Feb. 10, 2023, URL: <https://www.amazon.ca/dp/B019KO966K/> (Year: 2016).*

Bright Showers Brass Shower Head Extension Arm, Aug. 27, 2020, amazon.com, Dec. 6, 2022, URL: <https://www.amazon.com/dp/B08GS8D6V3/> (Year: 2020).*

PDPBath Solid Brass Shower Arm 3 Way Shower Diverter, Aug. 3, 2022, amazon.com, Dec. 6, 2022, URL: <https://www.amazon.com/PDPBath-Diverter-Showerhead-Universal-Connection/dp/B0B8HJJ2LX/> (Year: 2022).*

* cited by examiner

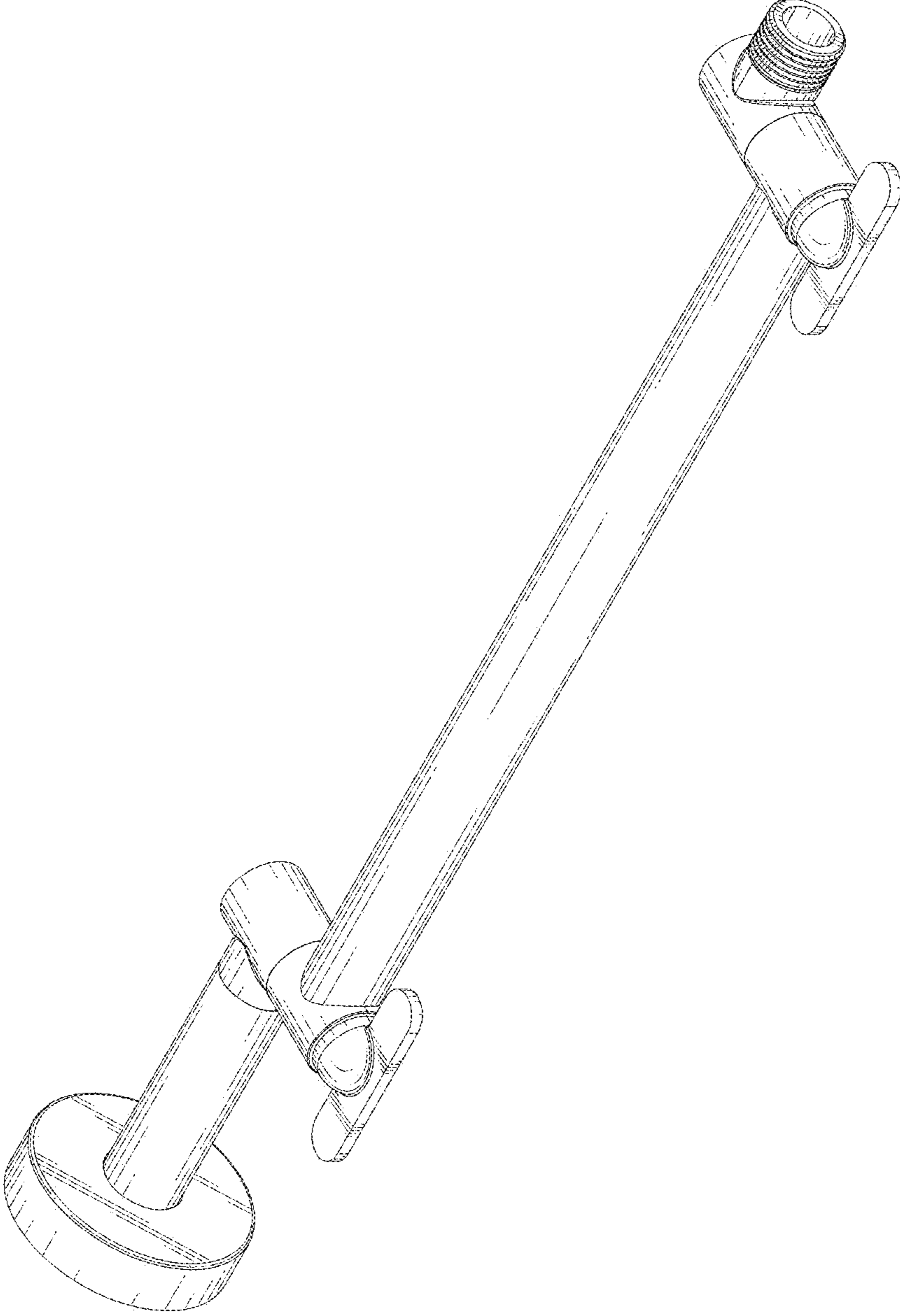


FIG. 1

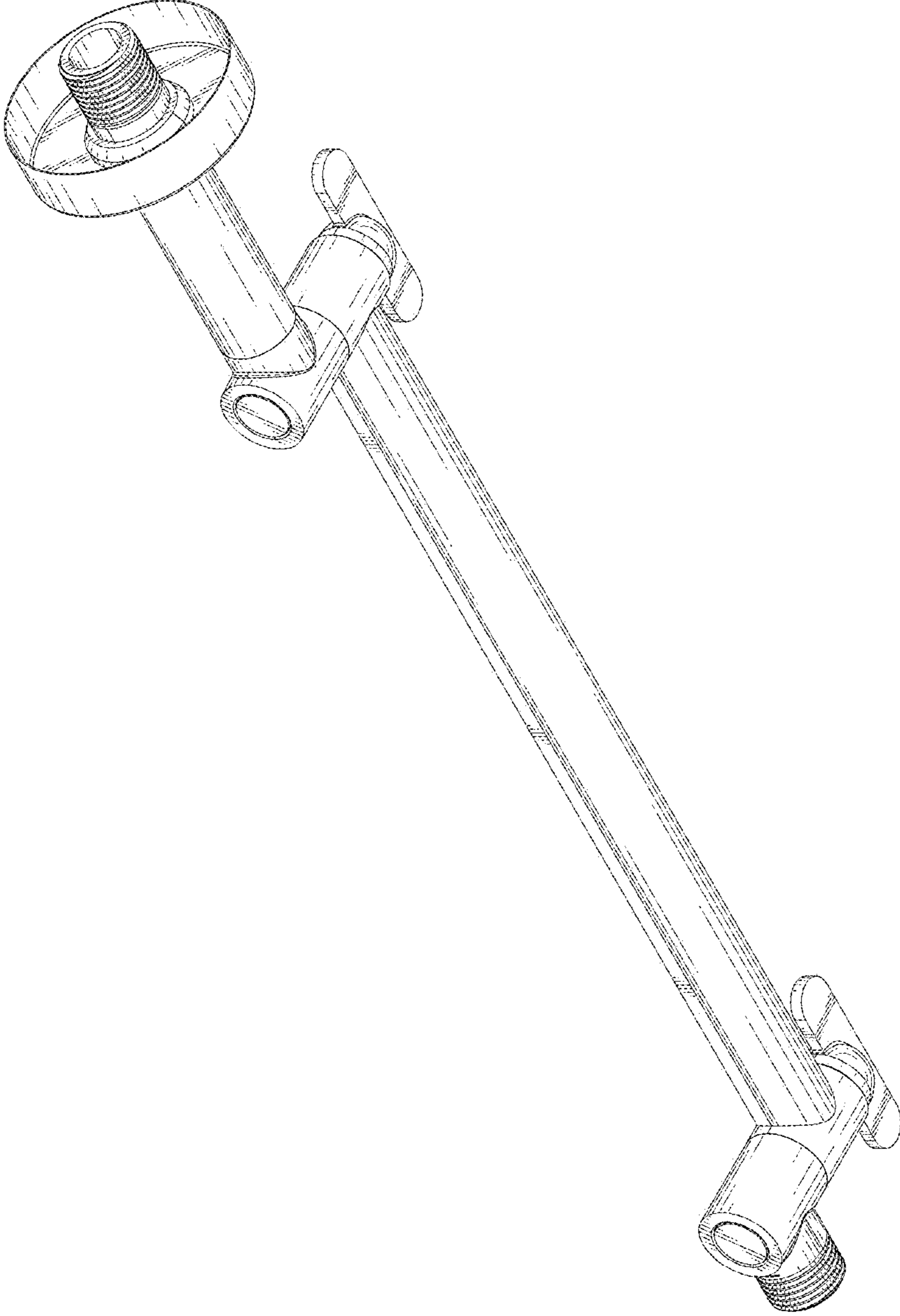


FIG. 2

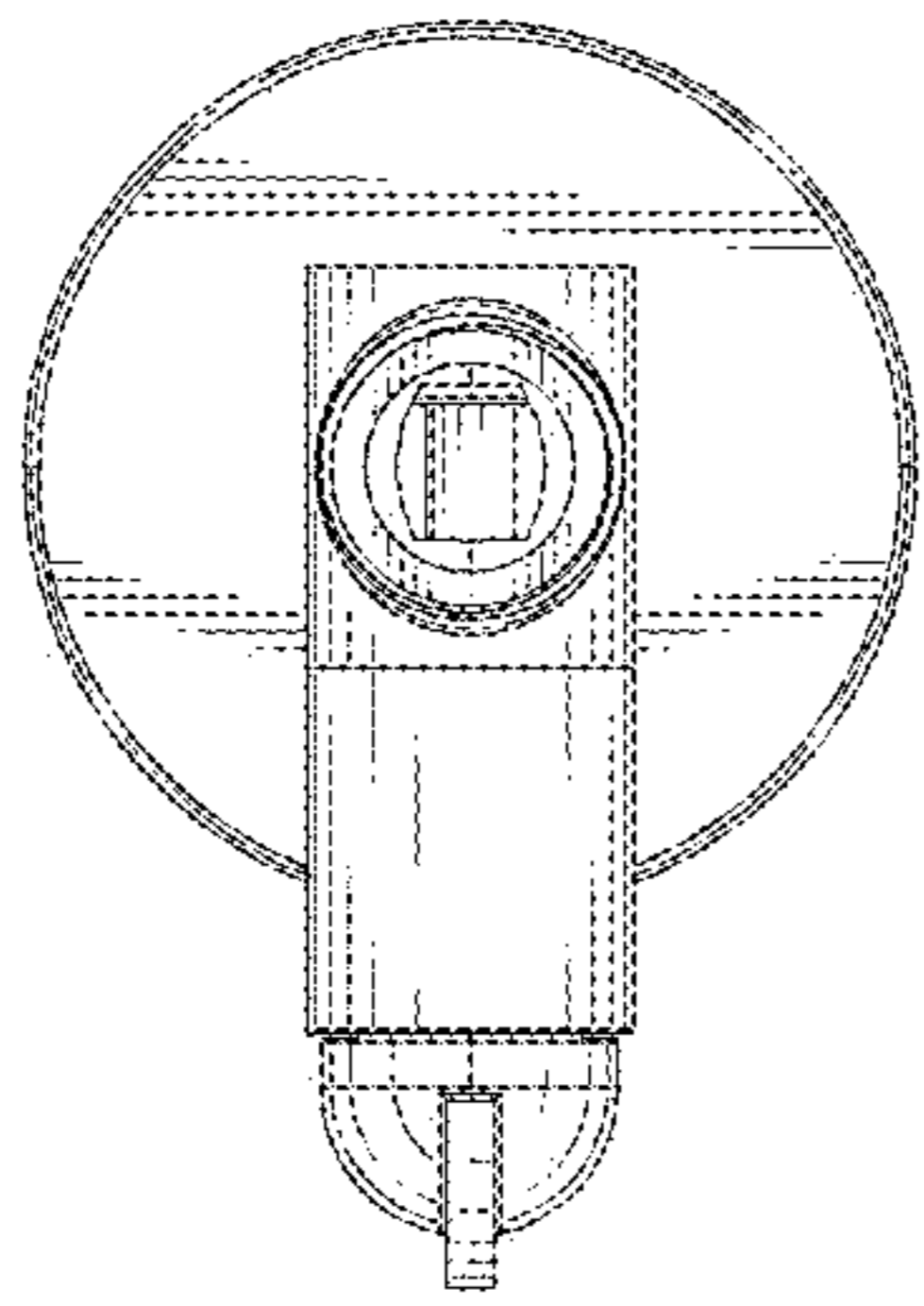


FIG. 3

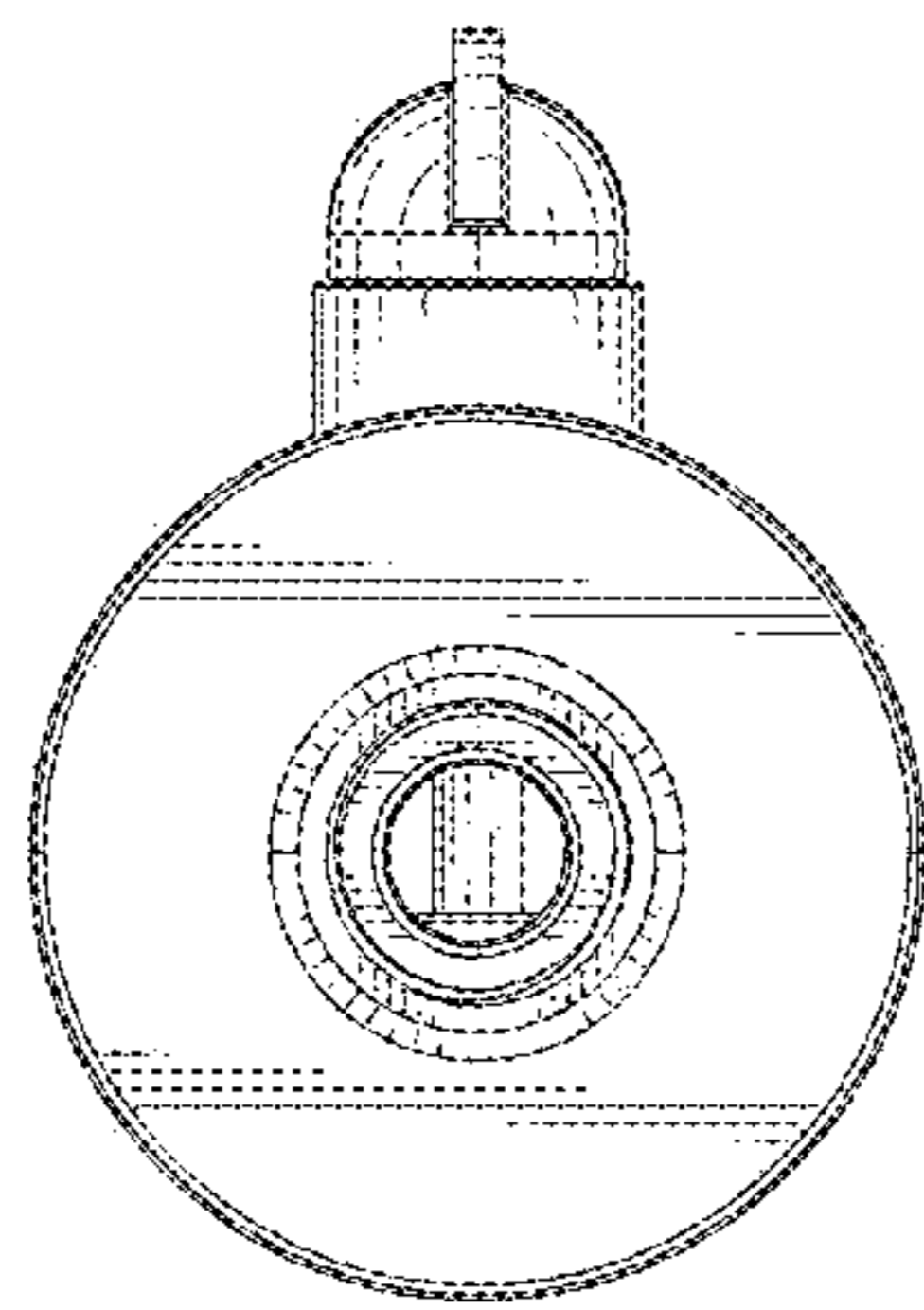


FIG. 4

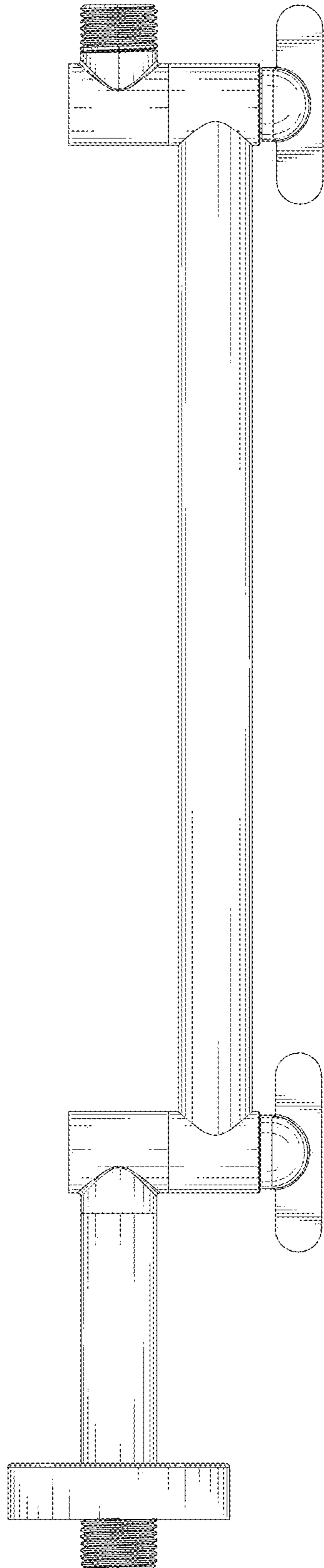


FIG. 5

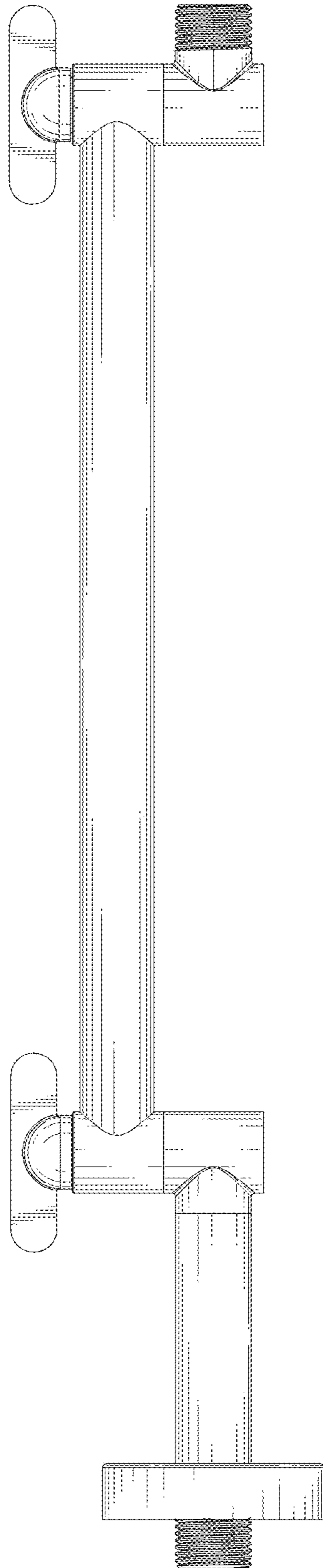


FIG. 6

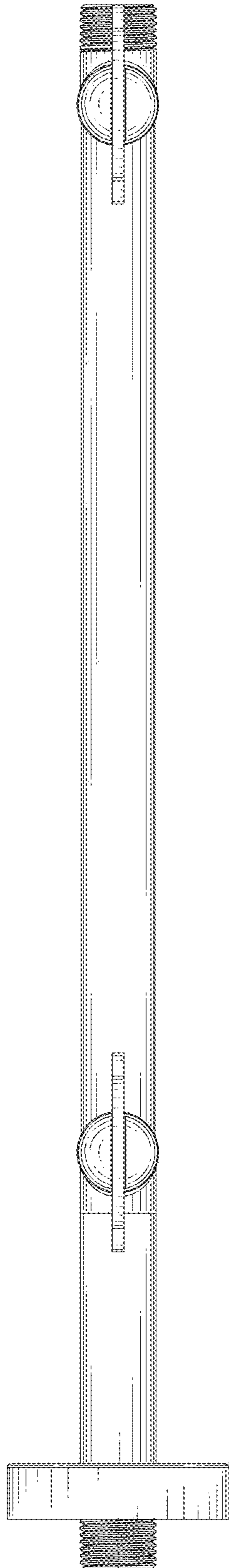


FIG. 7

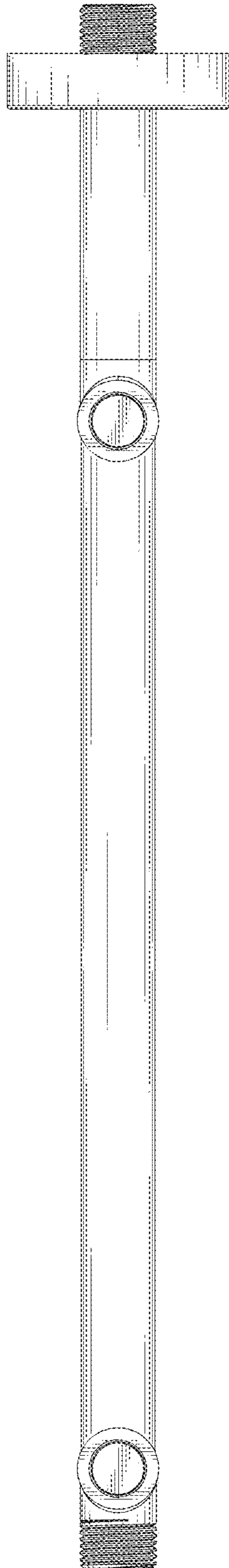


FIG. 8

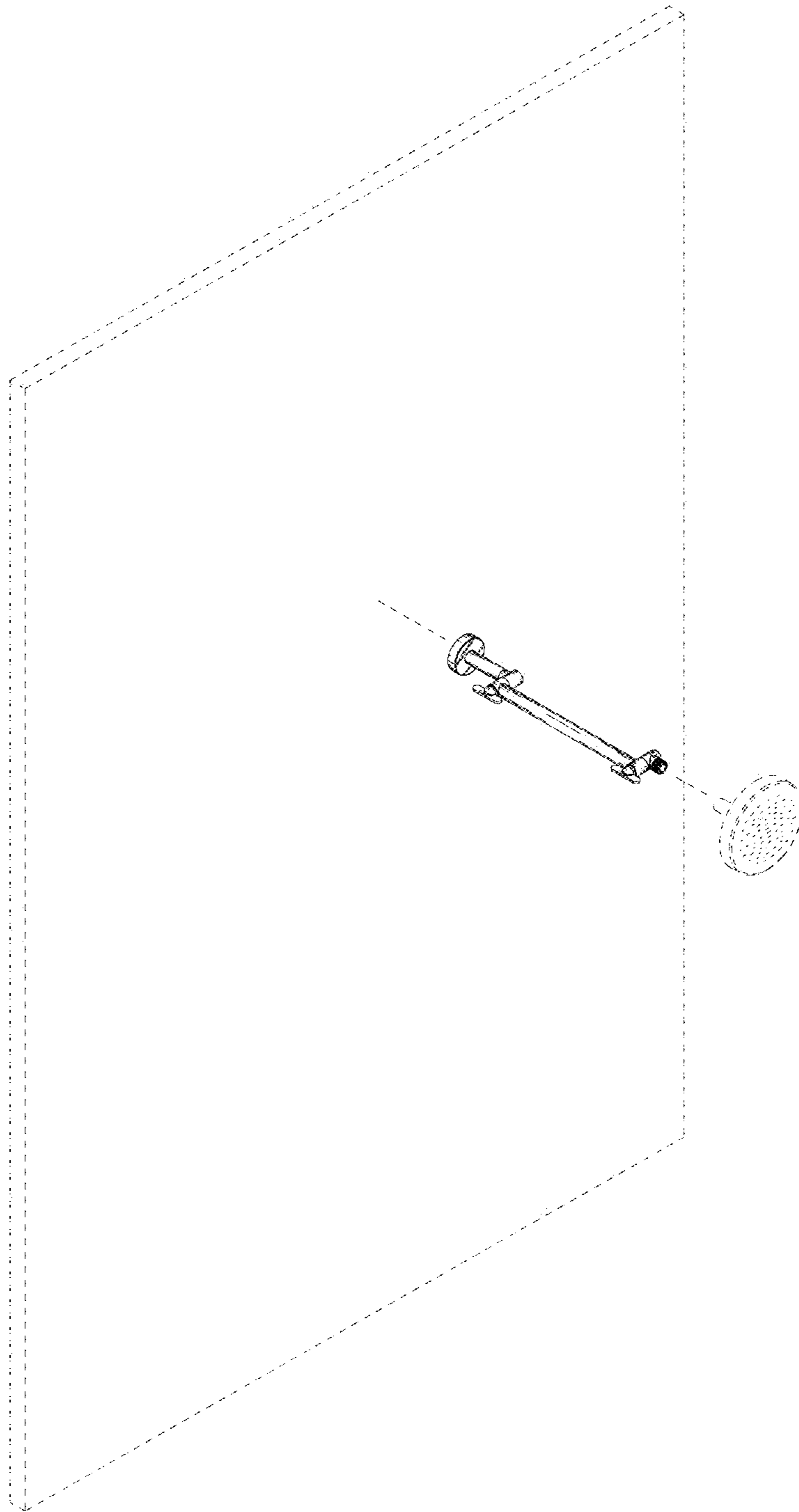


FIG. 9