



US00D983934S

(12) **United States Design Patent**  
**Chen**

(10) **Patent No.:** **US D983,934 S**  
(45) **Date of Patent:** **\*\* Apr. 18, 2023**

- (54) **SPRAY GUN**
- (71) Applicant: **SHIN TAI SPURT WATER OF THE GARDEN TOOLS CO., LTD**, Lukang Township, Changhua County (TW)
- (72) Inventor: **Chin-Yuan Chen**, Lukang Township, Changhua County (TW)
- (73) Assignee: **SHIN TAI SPURT WATER OF THE GARDEN TOOLS CO., LTD.**, Changhua County (TW)

D917,665 S *	4/2021	Chen	.....	D23/226
D921,155 S *	6/2021	Chen	.....	D23/226
D921,156 S *	6/2021	Chen	.....	D23/226
D924,022 S *	7/2021	Glover	.....	B05B 12/002 D8/2
D929,536 S *	8/2021	Chen	.....	D23/223
D929,537 S *	8/2021	Chen	.....	D23/223
D953,486 S *	5/2022	Rigolio	.....	D23/226
D956,177 S *	6/2022	Stech	.....	D23/213
11,413,641 B2 *	8/2022	Chen	.....	B05B 3/044
D968,568 S *	11/2022	Shih	.....	D23/226
D969,968 S *	11/2022	Yang	.....	B05B 3/044 D23/226

- (\*\*) Term: **15 Years**
- (21) Appl. No.: **29/825,934**
- (22) Filed: **Feb. 15, 2022**
- (51) **LOC (14) Cl.** ..... **23-01**
- (52) **U.S. Cl.**  
USPC ..... **D23/214**
- (58) **Field of Classification Search**  
USPC ..... D8/2; D23/206, 213-215, 223, 225-226,  
D23/229, 232, 238, 243, 249-250, 283  
CPC ..... B05B 5/025; B05B 5/03; B05B 7/0018;  
B05B 7/02; B05B 7/064; B05B 7/129;  
B05B 7/2475; B05B 15/63  
See application file for complete search history.

**FOREIGN PATENT DOCUMENTS**

CN 303595123 \* 10/2015  
\* cited by examiner

*Primary Examiner* — Dana K Weiland  
*Assistant Examiner* — Jonathan E Fiencke

(57) **CLAIM**

The ornamental design for a spray gun, as shown and described.

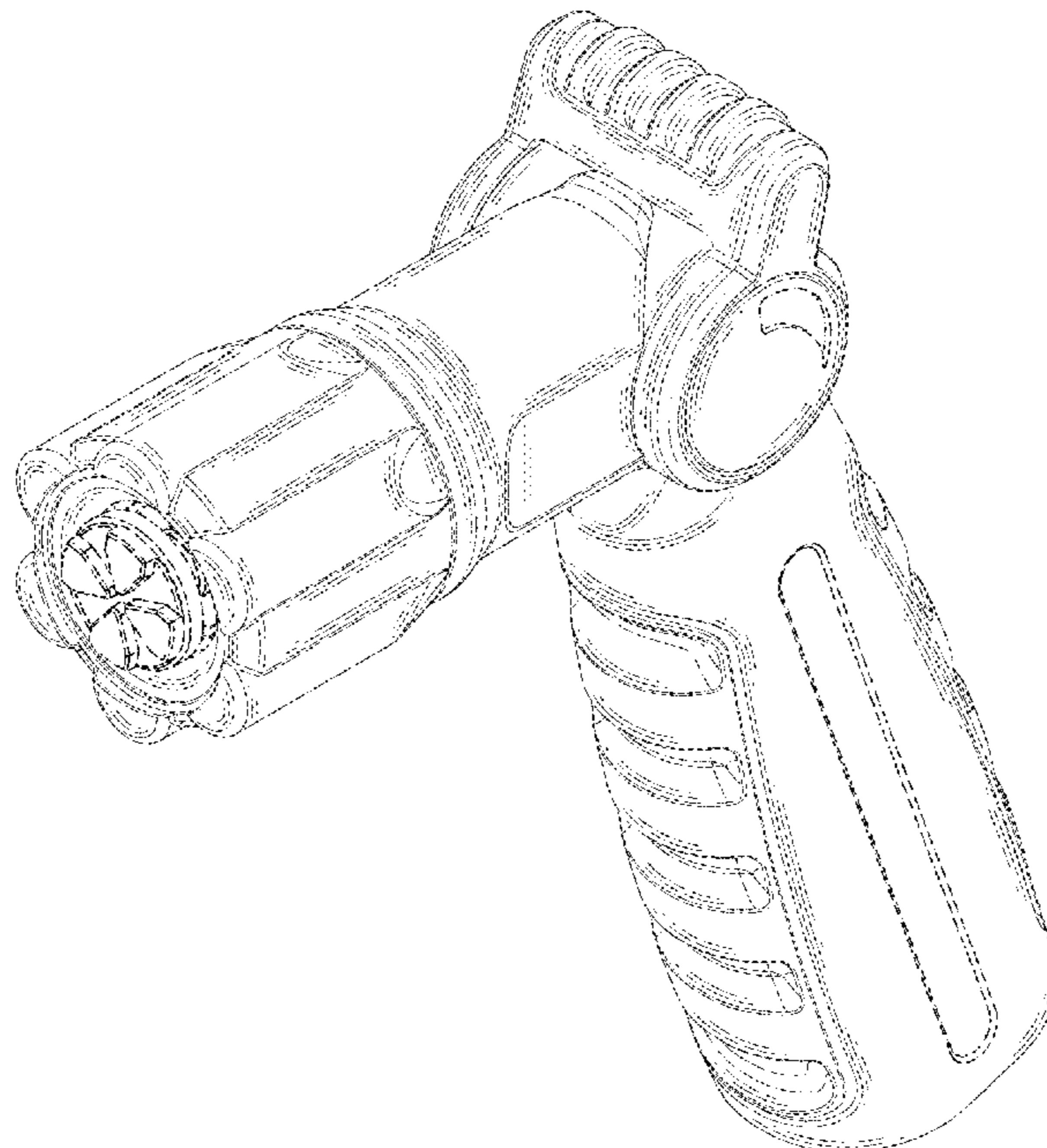
**DESCRIPTION**

FIG. 1 is a front perspective view of a spray gun showing my new design;  
FIG. 2 is a front elevational view thereof;  
FIG. 3 is a rear elevational view thereof;  
FIG. 4 is a left side elevational view thereof;  
FIG. 5 is a right side elevational view thereof;  
FIG. 6 is a top plan view thereof; and,  
FIG. 7 is a bottom plan view thereof.  
The broken lines depict portions of the spray gun that form no part of the claimed design.

(56) **References Cited**  
U.S. PATENT DOCUMENTS

D422,056 S *	3/2000	Patrick	.....	D23/226
D792,947 S *	7/2017	Hung	.....	D23/226
9,707,573 B1 *	7/2017	Huang	.....	B05B 12/002
D892,272 S *	8/2020	Urry	.....	D23/223
D901,635 S *	11/2020	Chen	.....	D23/226
D914,136 S *	3/2021	Chen	.....	D23/226
D914,137 S *	3/2021	Chen	.....	D23/226

**1 Claim, 5 Drawing Sheets**



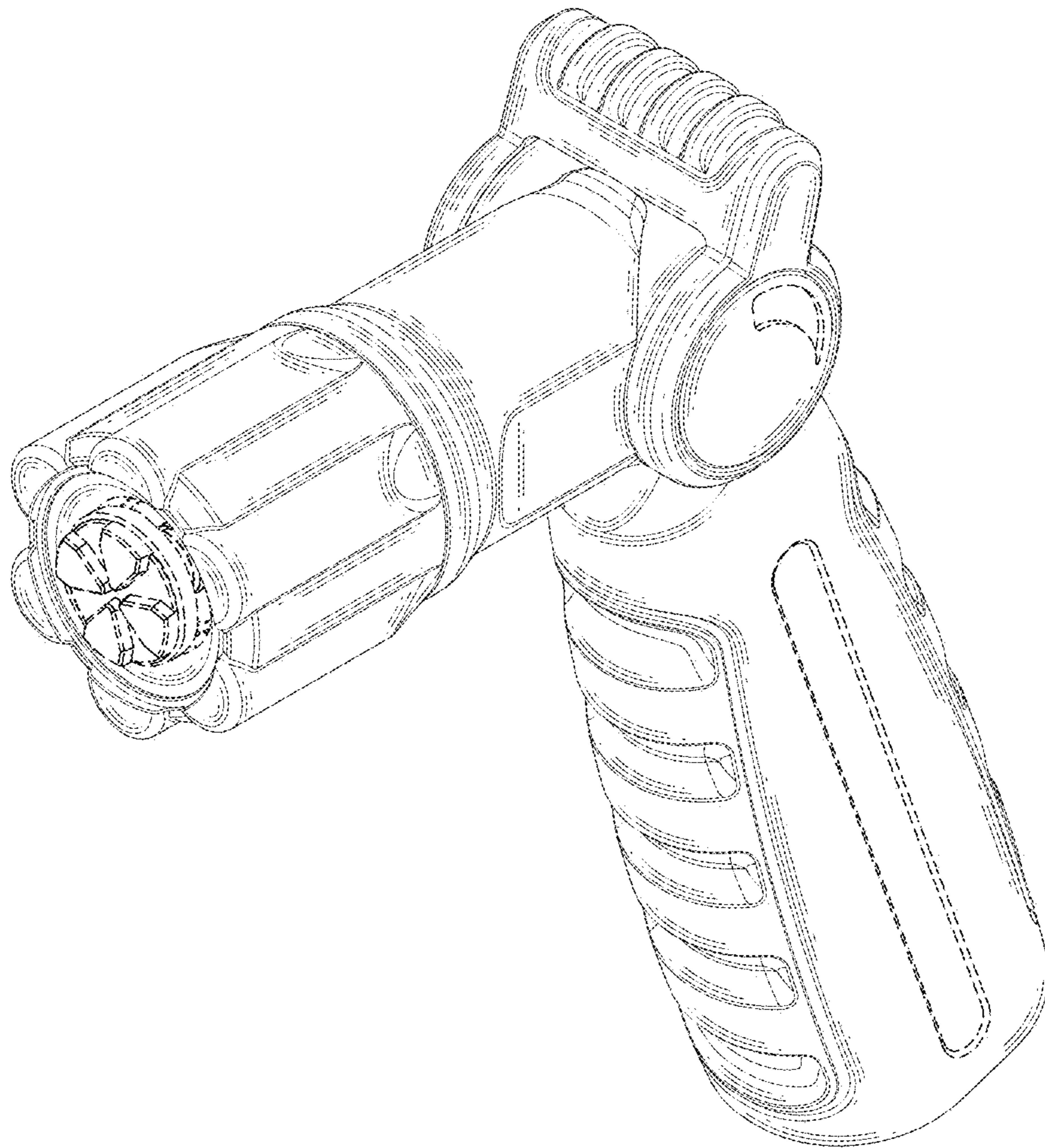


FIG.1

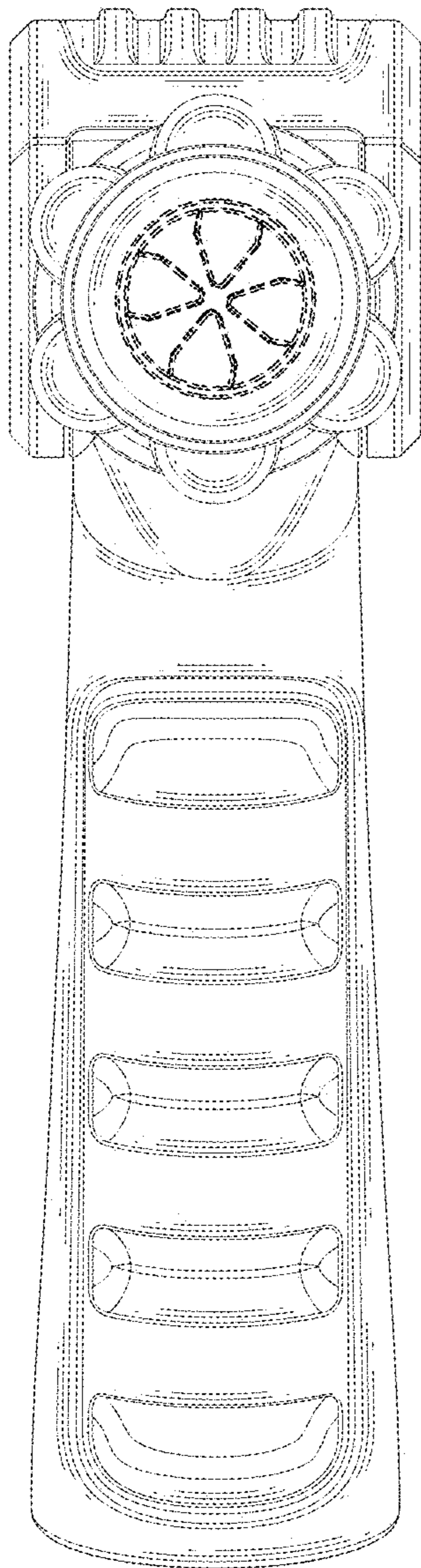


FIG.2

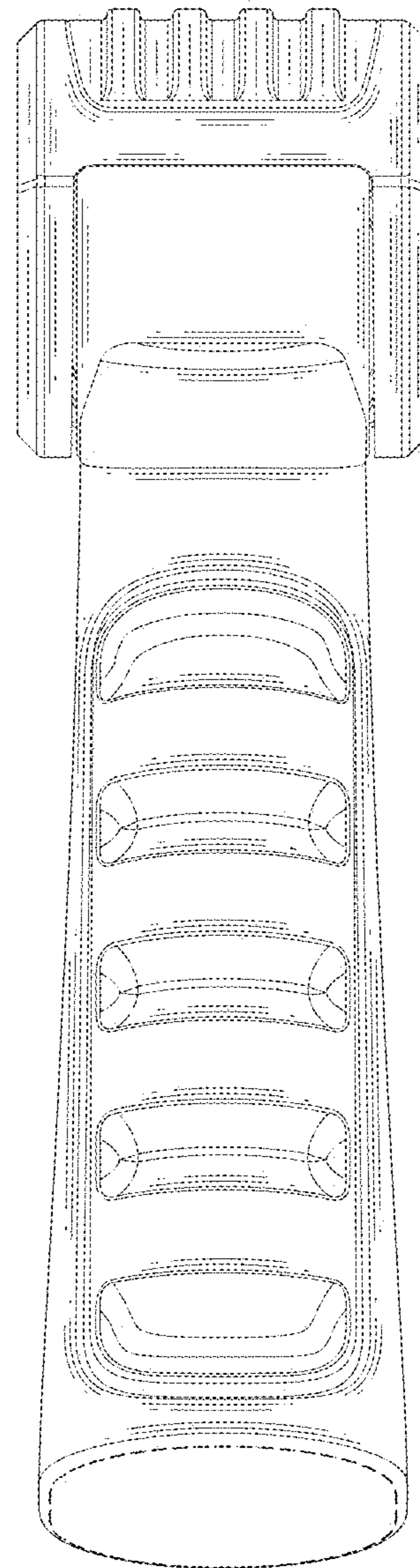


FIG.3

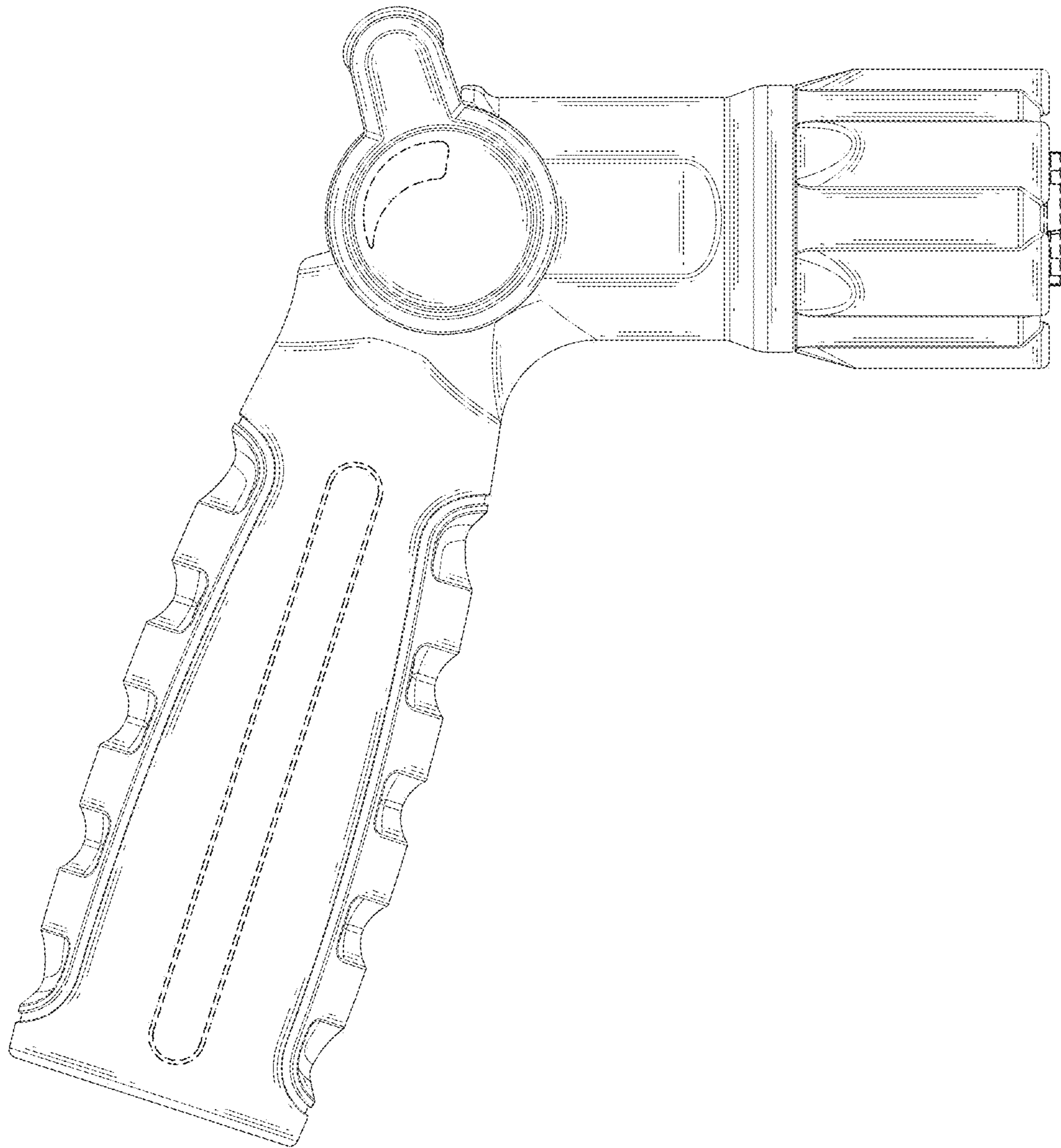


FIG.4

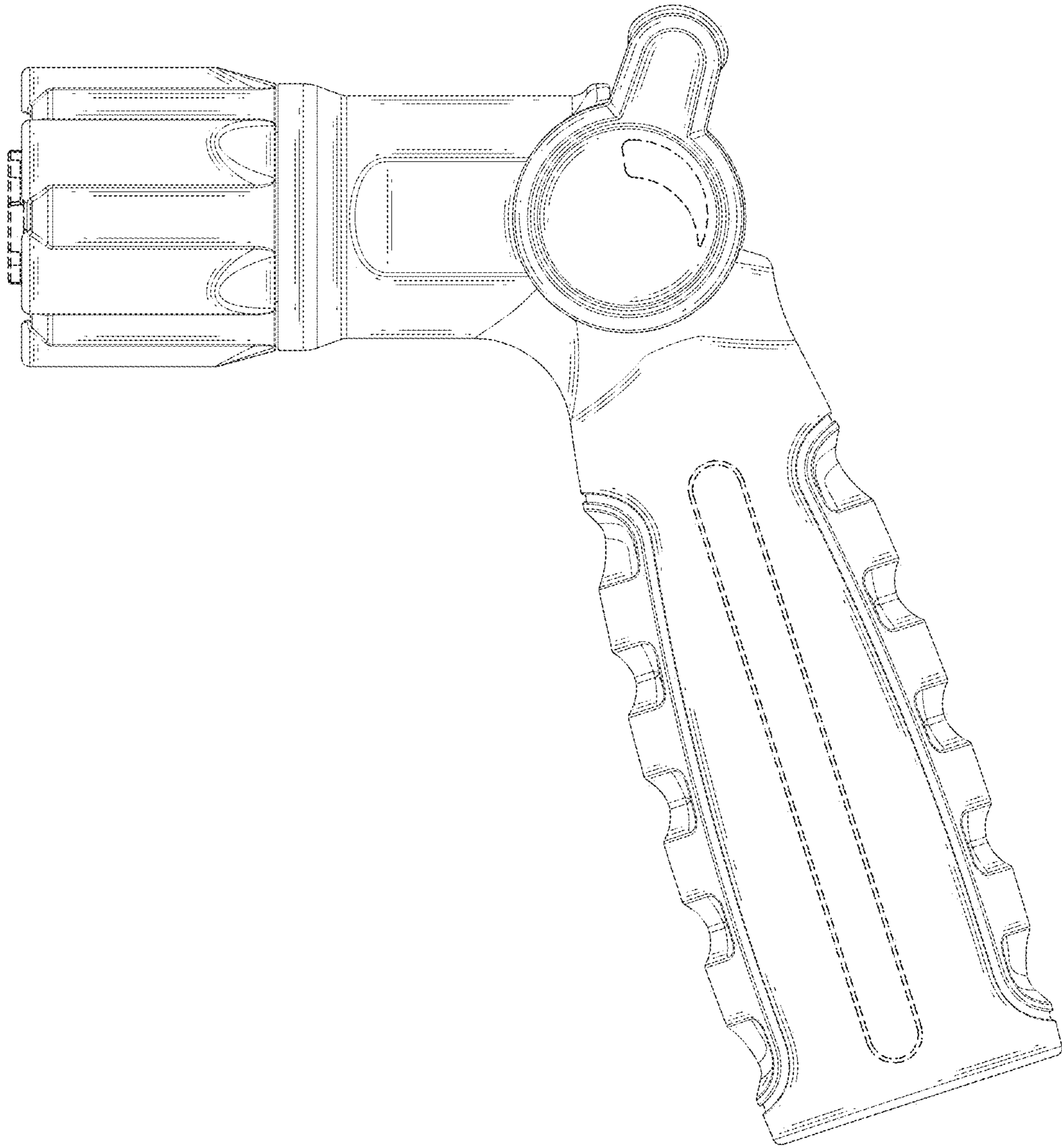


FIG. 5

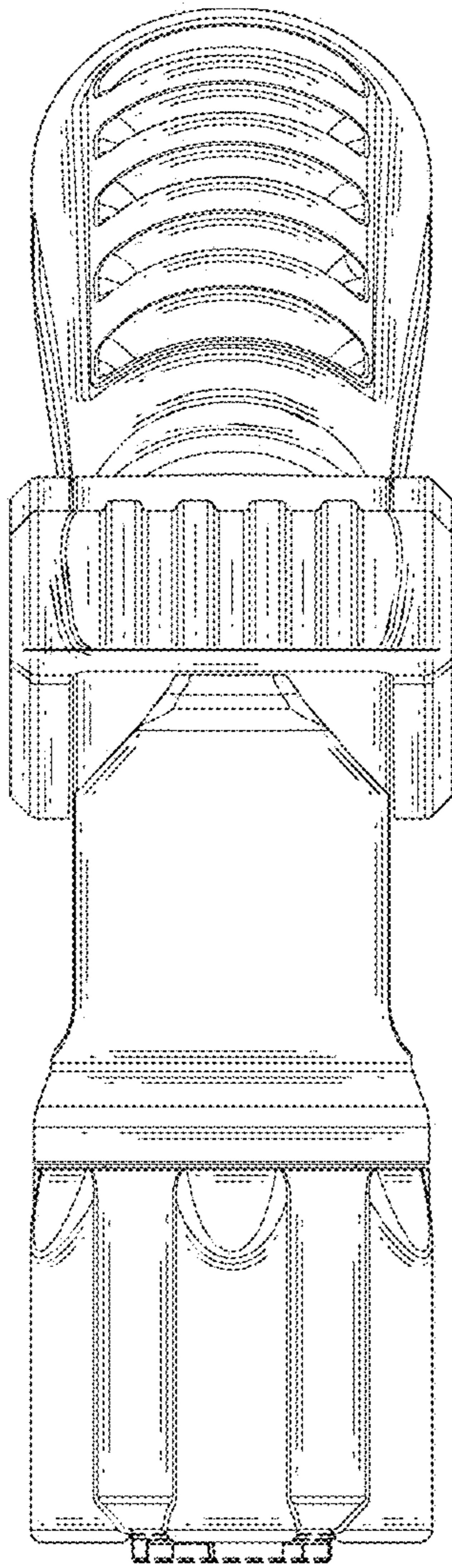


FIG.6

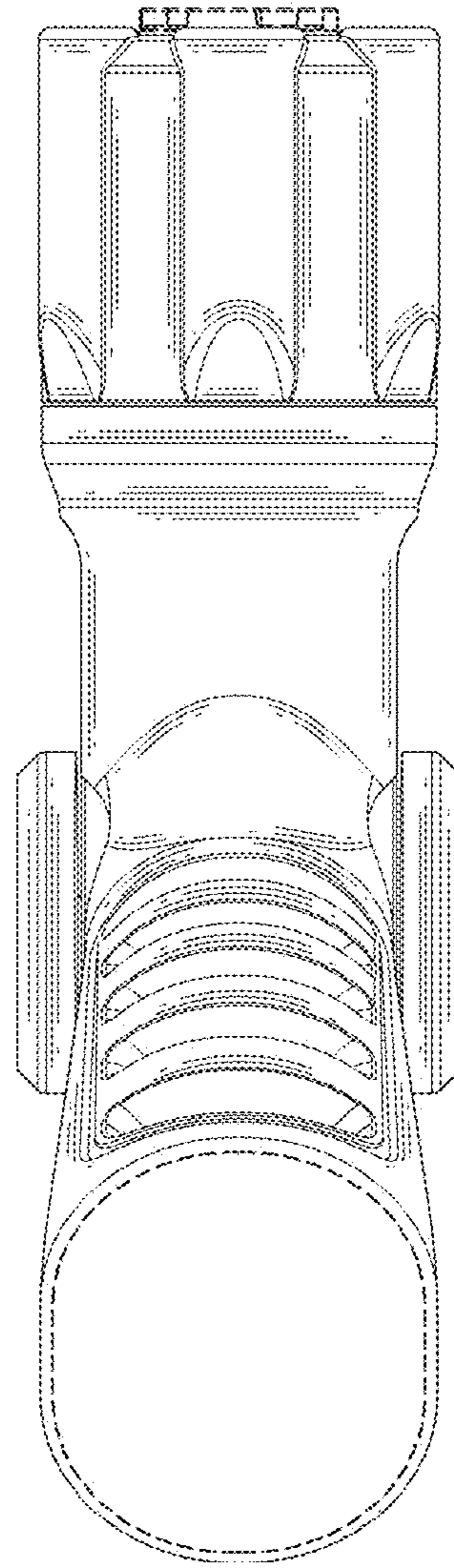


FIG.7