



US00D983932S

(12) **United States Design Patent** (10) **Patent No.:** **US D983,932 S**
Larson (45) **Date of Patent:** **** Apr. 18, 2023**

- (54) **POOL FILTER COVER**
- (71) Applicant: **Larson Design, LLC**, Pembroke, NH (US)
- (72) Inventor: **Brian Larson**, Pembroke, NH (US)
- (73) Assignee: **Larson Design, LLC**, Pembroke, NH (US)

- D411,001 S * 6/1999 Pinchuk D26/26
 - D492,400 S * 6/2004 Smith D23/364
 - D497,195 S * 10/2004 Nishi D23/209
 - 6,939,463 B2 9/2005 Leaverton
 - 8,137,545 B2 3/2012 Nibler
 - D681,790 S * 5/2013 Jinsoo D23/364
 - D686,694 S * 7/2013 Li D23/210
 - D755,364 S 5/2016 Vogtner
 - D833,631 S 11/2018 Walker
- (Continued)

(**) Term: **15 Years**

(21) Appl. No.: **29/809,989**

(22) Filed: **Sep. 30, 2021**

(51) **LOC (14) Cl.** **23-01**

(52) **U.S. Cl.**
USPC **D23/209**

(58) **Field of Classification Search**
 USPC D23/209, 210, 259, 260, 261, 262, 267,
 D23/268, 309, 311, 351-367, 386, 387,
 D23/388, 397, 412; D25/68, 69, 112;
 D8/354; D24/162
 CPC E04D 13/08; E04D 13/064; E04D 13/076;
 E04D 13/0646; E04D 13/0725; E04B
 2/78; E04C 2/38; E04F 11/032; E04F
 11/038; E04F 2011/0209; E03D 11/13;
 E03D 11/16; E03D 11/17; E03D 11/135;
 E03D 11/143; A47K 13/24; A01M 31/02;
 A01M 31/025; E04H 4/1218; A61L 9/00;
 A61L 9/02; A61L 9/012; A61L 9/03;
 A61L 9/032; A61L 9/035; A61L 9/037;
 A61L 9/04; A61L 9/12; A61L 9/122;
 A61L 2209/16; B01D 35/28; B01D 35/30
 See application file for complete search history.

(56) **References Cited**

U.S. PATENT DOCUMENTS

- 2,141,811 A 12/1938 Everson
- D366,521 S * 1/1996 Wijaranakula D23/366
- D377,213 S * 1/1997 Wang D23/355

OTHER PUBLICATIONS

“Balboa Skimmer Strt White (10-6500WHT),” Web page <<http://balboadirect.com/10-6500WHT.aspx>>, 1 page, Jun. 12, 2017 retrieved from Internet Archive Wayback Machine <<https://web.archive.org/web/20170612181452/http://balboadirect.com/10-6500WHT.aspx>>, on Jun. 21, 2022.

(Continued)

Primary Examiner — Gino Colan
Assistant Examiner — David OBrien
(74) *Attorney, Agent, or Firm* — Maine Cernota & Rardin

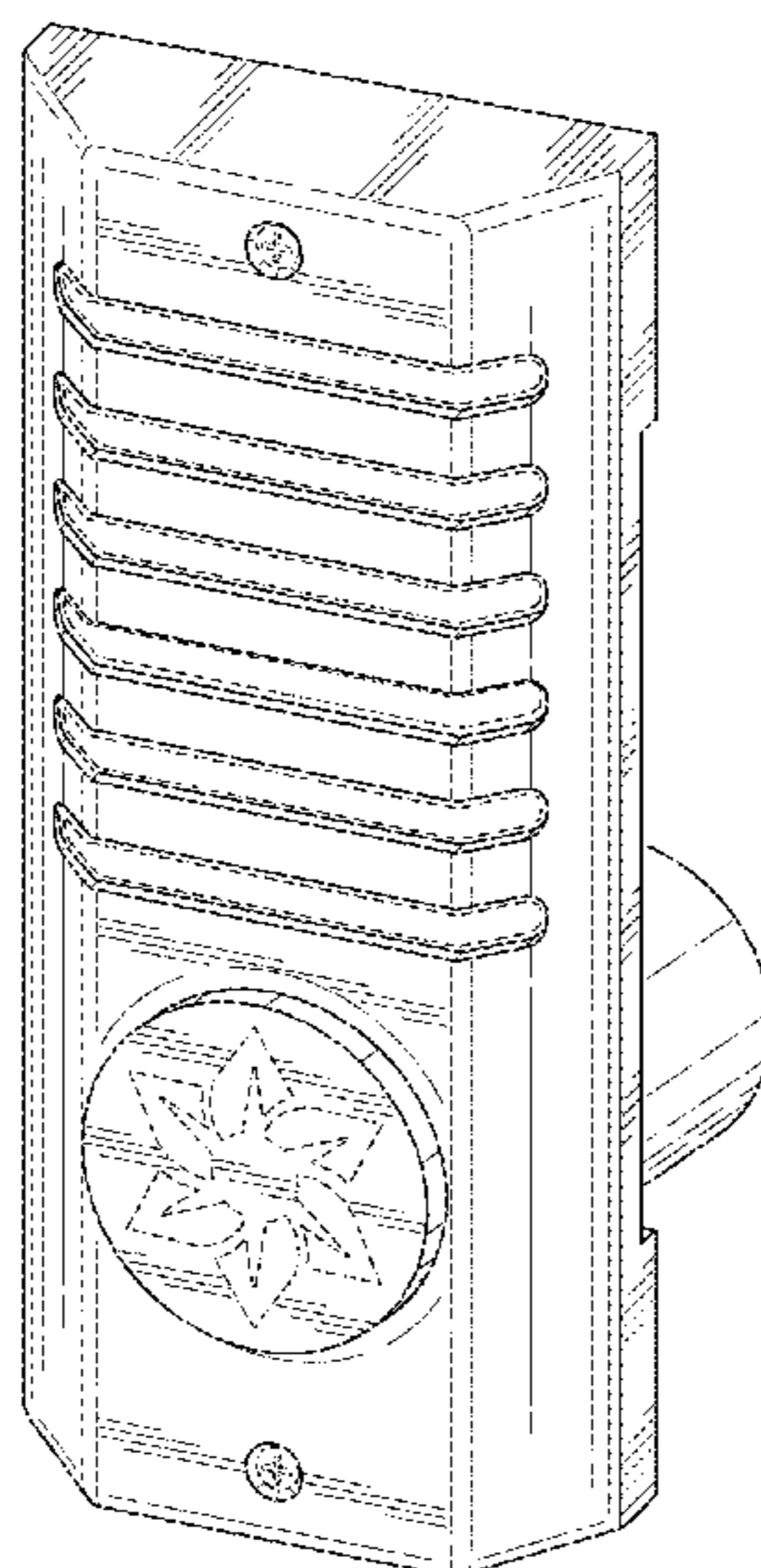
(57) **CLAIM**

The ornamental design for a pool filter cover, as shown and described.

DESCRIPTION

FIG. 1 is a right side and front perspective view of a pool filter cover, showing my new design;
FIG. 2 is a front elevation view thereof;
FIG. 3 is a back elevation view thereof;
FIG. 4 is a left side elevation view thereof
FIG. 5 is a right side elevation view thereof;
FIG. 6 is a bottom back-end-up elevation view thereof; and,
FIG. 7 is a bottom back-end-down elevation view thereof.
The broken lines showing the figures are for the purpose of illustrating portions of the pool filter cover and form no part of the claimed design.

1 Claim, 6 Drawing Sheets



(56)

References Cited

U.S. PATENT DOCUMENTS

D834,210	S	11/2018	Walker	
D834,211	S	11/2018	Walker	
10,125,879	B2	11/2018	Walsh	
D873,387	S	1/2020	Vogtner	
10,697,190	B2	6/2020	McDuffie	
D929,599	S	8/2021	Vogtner	
D942,584	S *	2/2022	Li	D23/210
2006/0042689	A1	3/2006	Hinojosa, Jr.	
2017/0030099	A1	2/2017	Vogtner	

OTHER PUBLICATIONS

“CMP Spa Strip Skimmer & Standard Nut,” Web page <<https://www.c-m-p.com/spa-products/skimmers-and-filters/accessories/>>, 1 page, retrieved online on Jun. 21, 2022.

“Waterway Plastics 2016 Pool & Spa Buyer’s Guide,” Web page <<http://waterwayplastics.com/resources/catalog-choices/>>, p. 186, Nov. 5, 2016, retrieved from Internet Archive Wayback Machine <<https://web.archive.org/web/20161105155604/http://waterwayplastics.com/resources/catalog-choices/>> on Jun. 21, 2022.

“What is a PVC Slip Joint?” Web page <https://www.ehow.com/info_12073320_pvc-slip-joint.html>, 2 pages, retrieved online on Jun. 21, 2022.

* cited by examiner

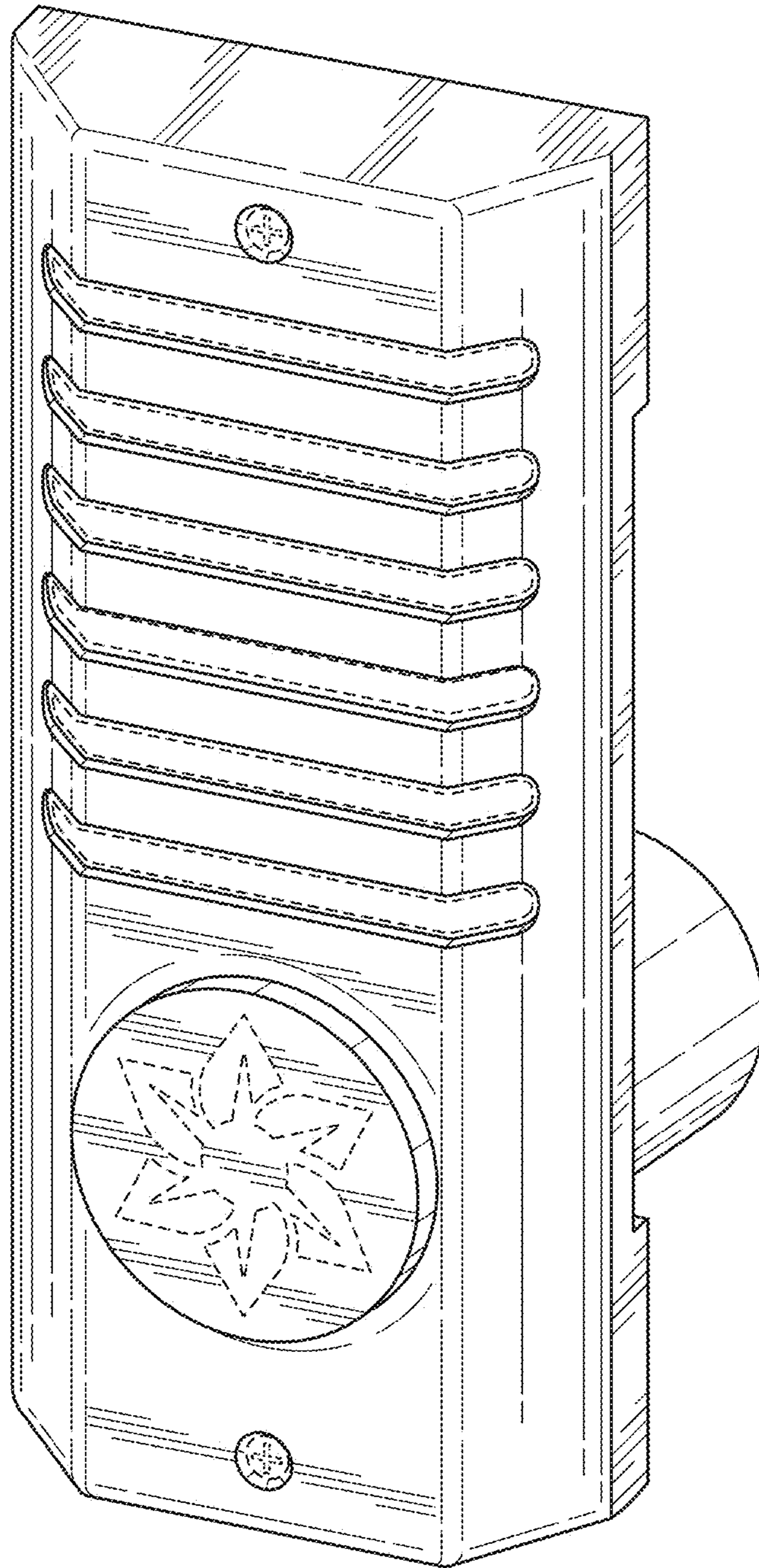


FIG. 1

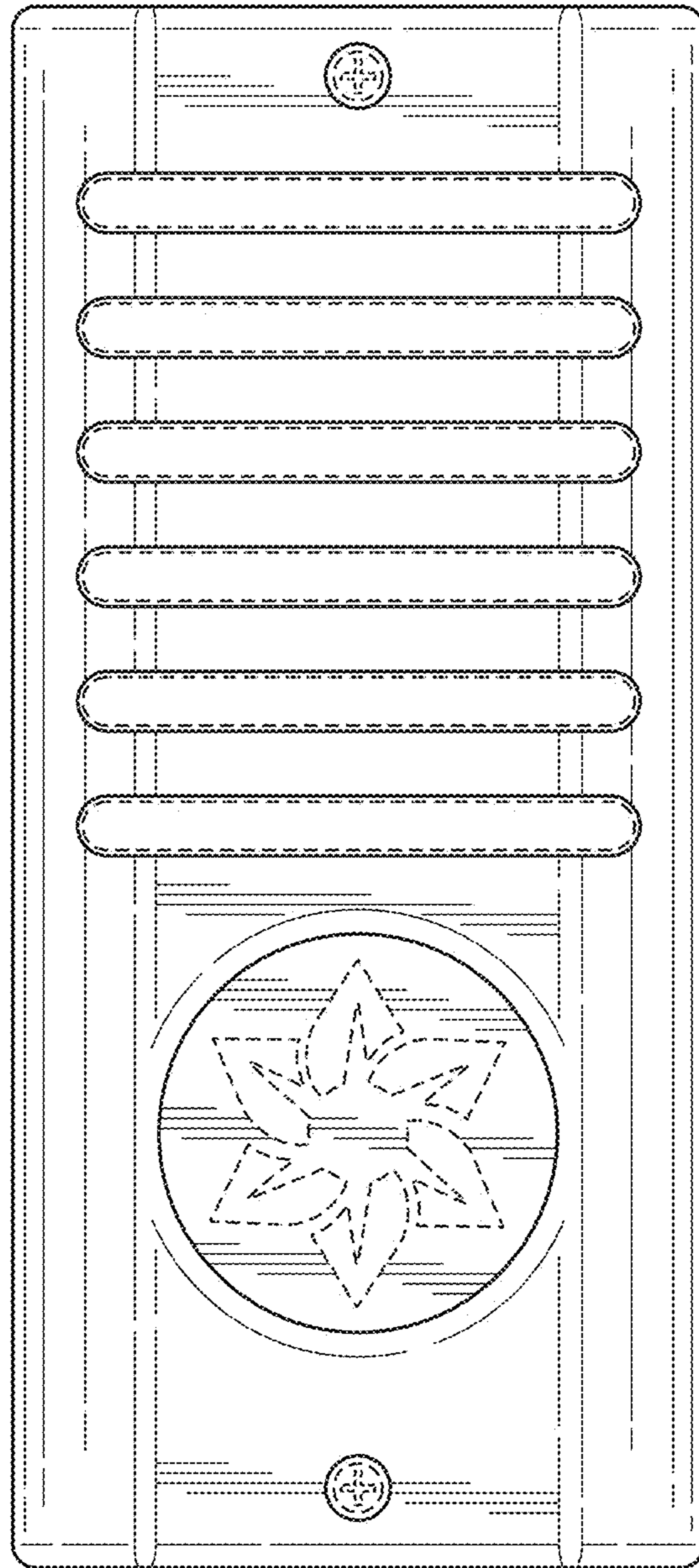


FIG. 2

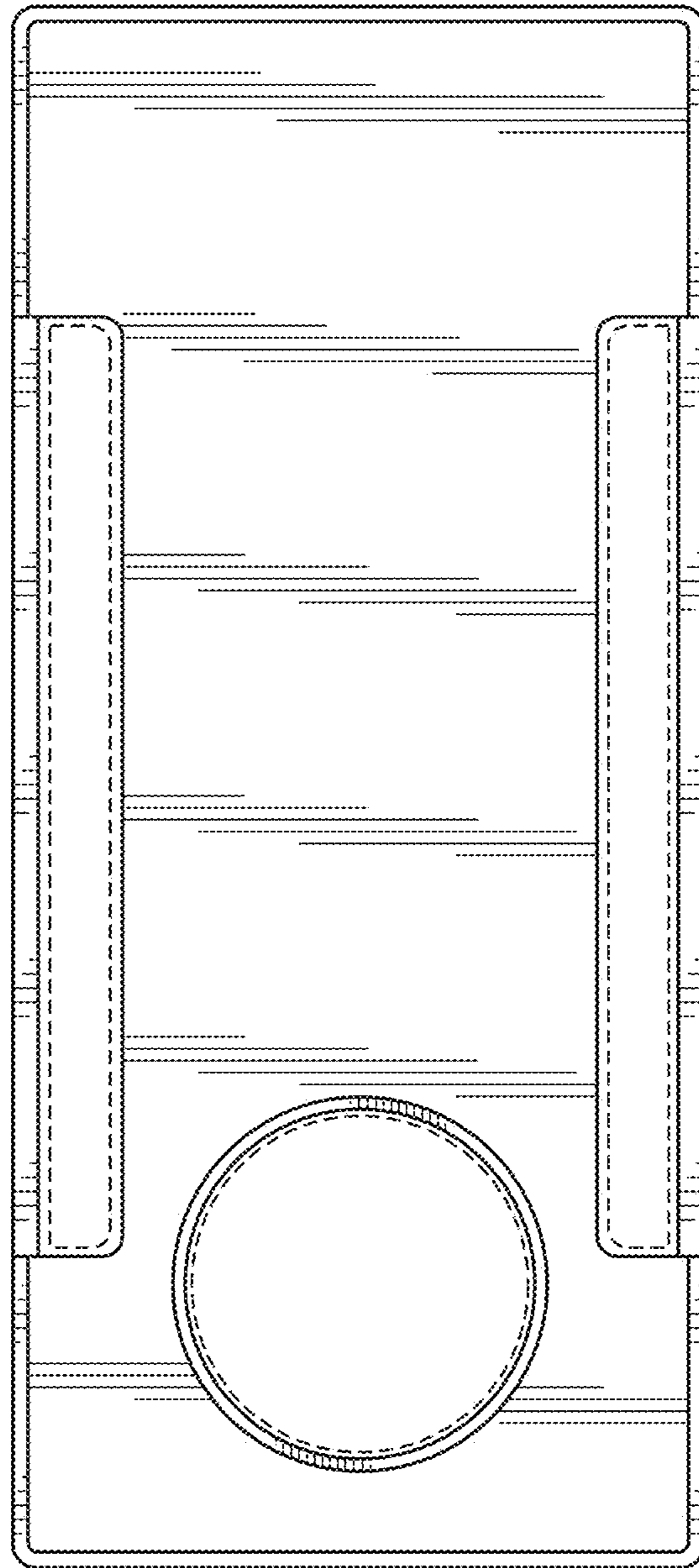


FIG. 3

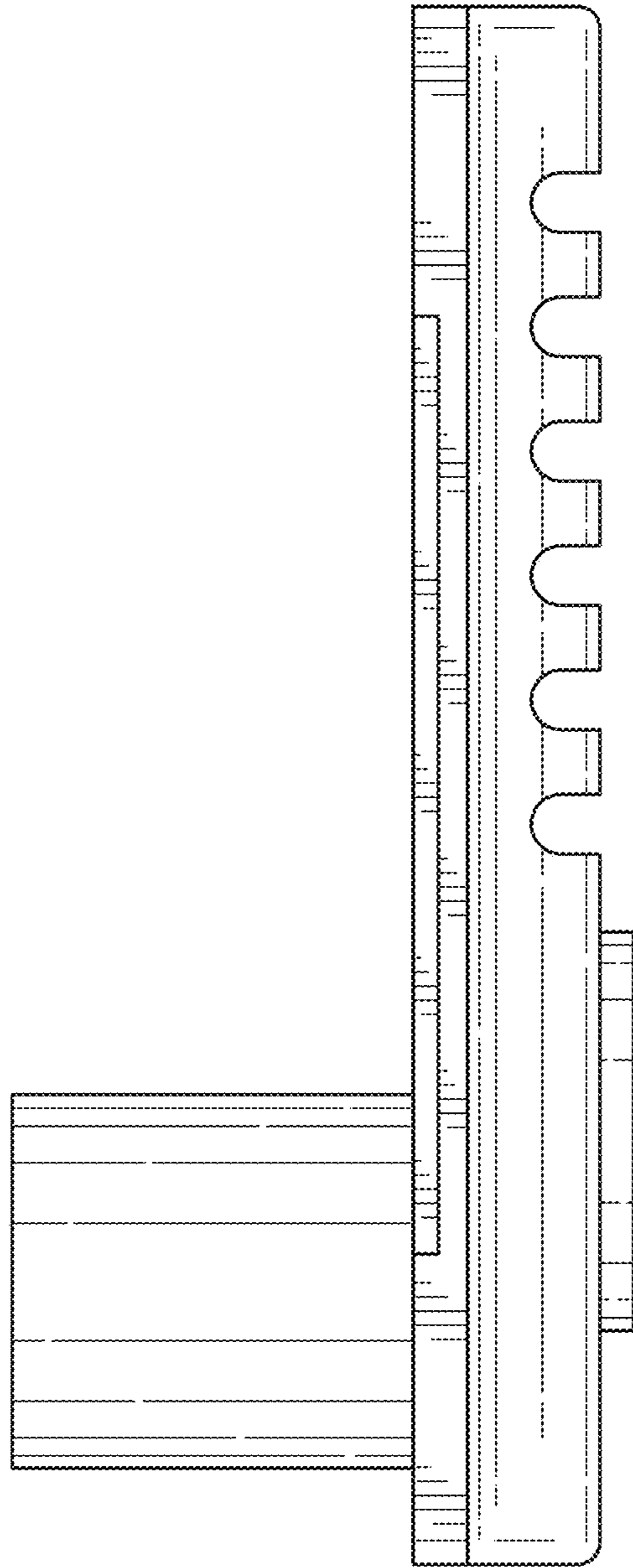


FIG. 4

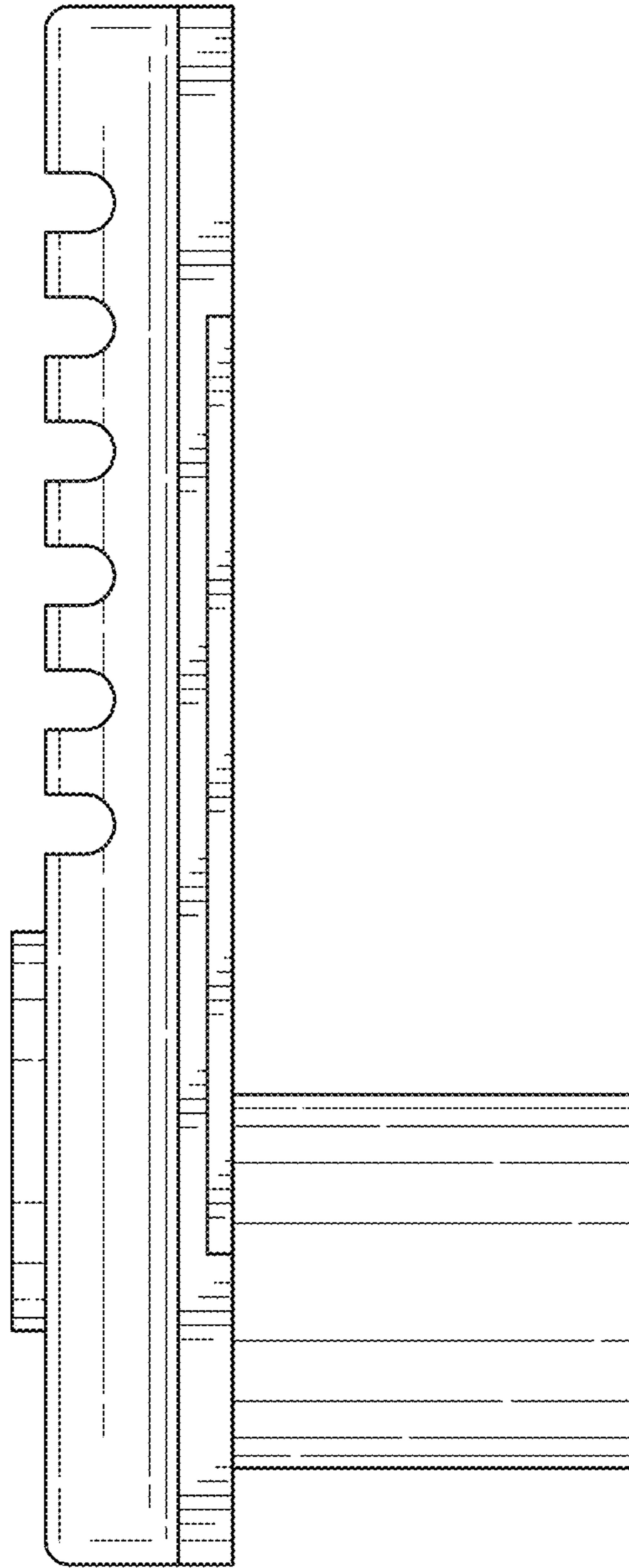


FIG. 5

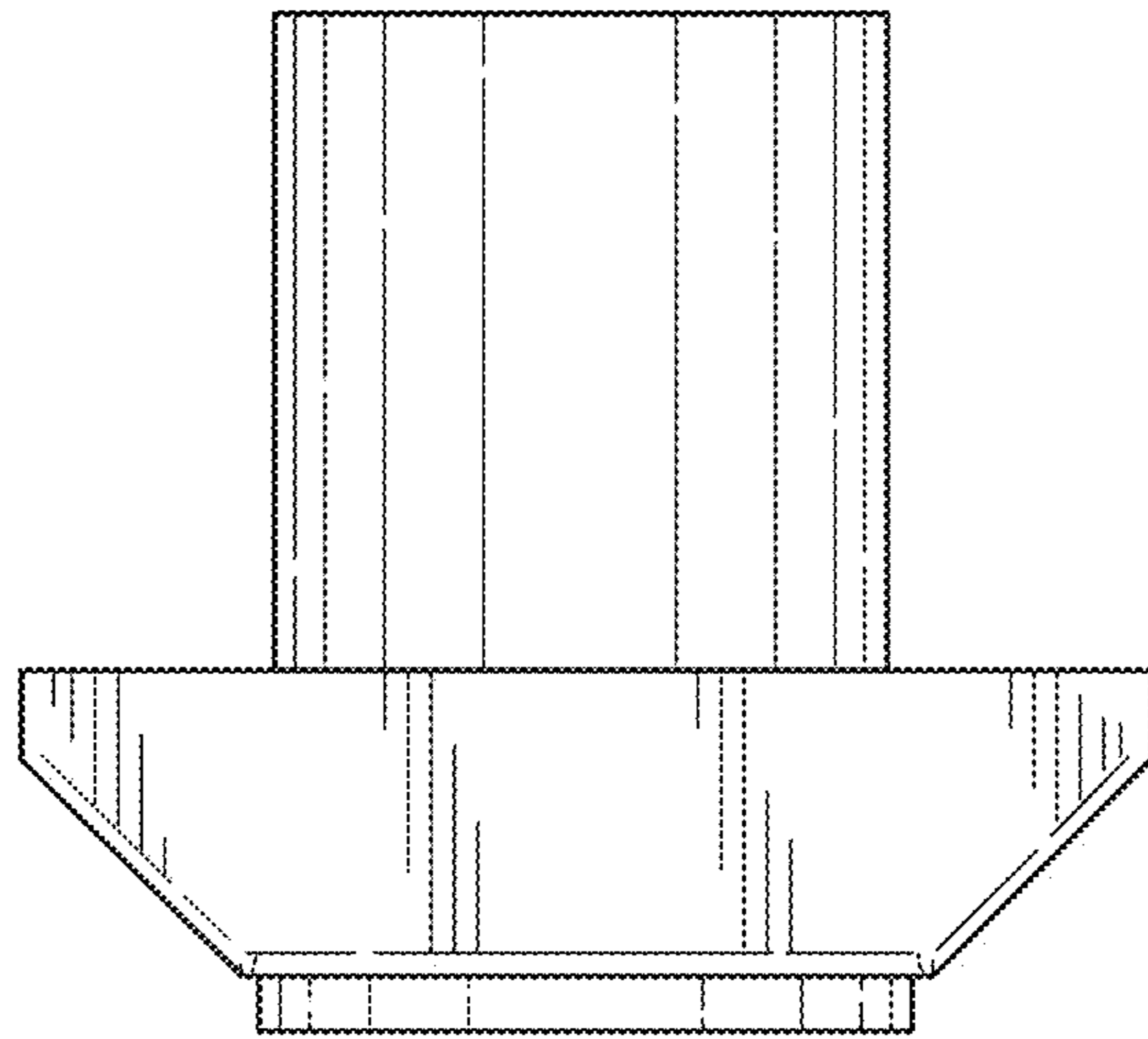


FIG. 6

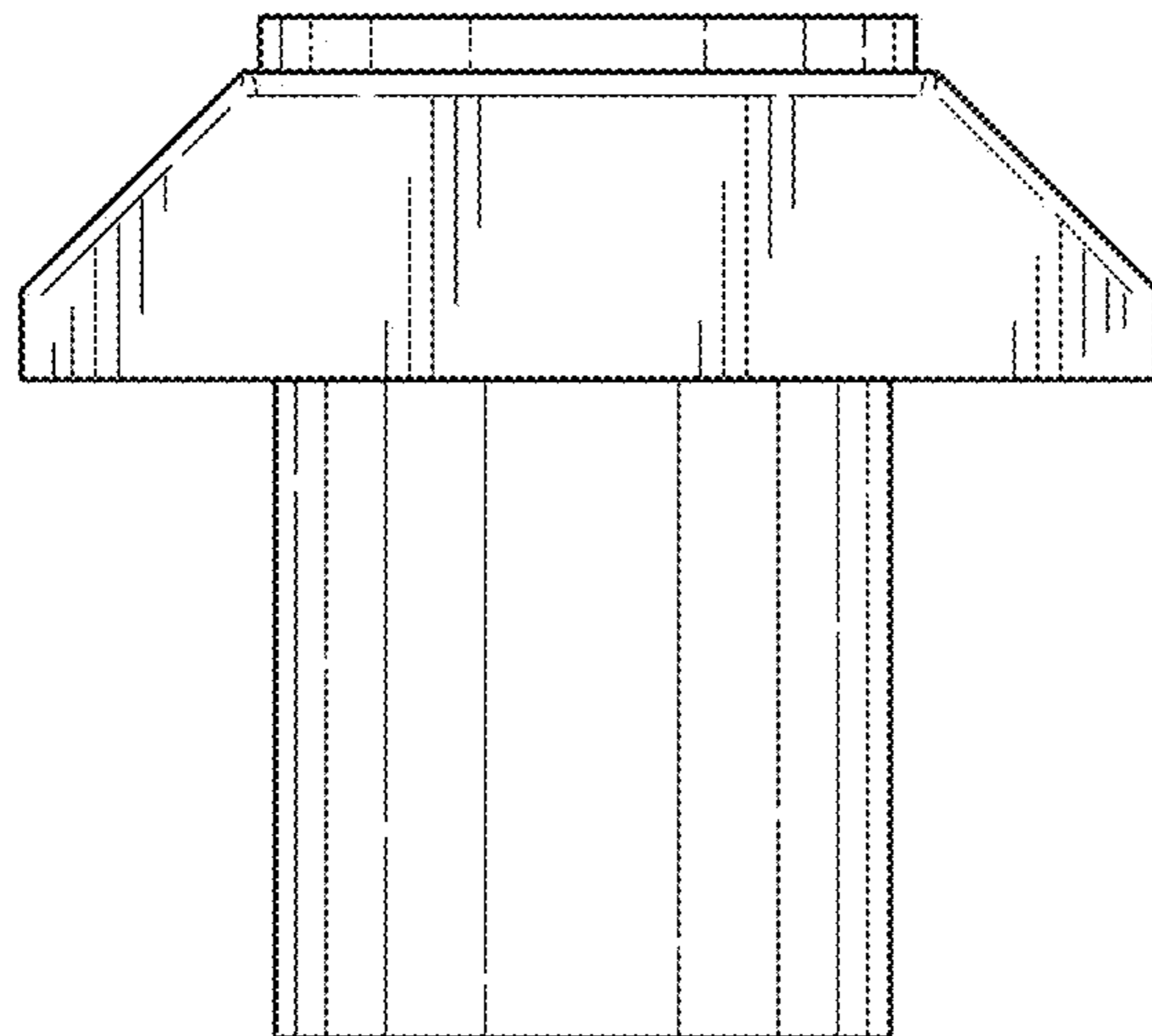


FIG. 7