



US00D983928S

(12) **United States Design Patent**  
**Eugster et al.**

(10) **Patent No.: US D983,928 S**  
(45) **Date of Patent: \*\* Apr. 18, 2023**

(54) **ATOMIZER FOR INSECTICIDES**

(71) Applicant: **Andermatt BioVet AG**, Grossdietwil (CH)

(72) Inventors: **Adrian Eugster**, Bauma (CH); **Kaspar Schlegel**, Winterthur (CH)

(73) Assignee: **Andermatt BioVet AG**, Grossdietwil (CH)

(\*\*) Term: **15 Years**

(21) Appl. No.: **35/514,404**

(22) Filed: **Dec. 1, 2021**

(80) **Hague Agreement Data**

Int. Filing Date: **Dec. 1, 2021**  
Int. Reg. No.: **DM/219345**  
Int. Reg. Date: **Dec. 1, 2021**  
Int. Reg. Pub. Date: **Jun. 3, 2022**

(51) **LOC (14) Cl.** ..... **22-06**

(52) **U.S. Cl.**  
USPC ..... **D22/122**

(58) **Field of Classification Search**  
USPC ..... D22/119, 122-123  
CPC ..... A01M 13/00; Y10T 137/7468  
See application file for complete search history.

(56) **References Cited**

U.S. PATENT DOCUMENTS

4,829,700 A *	5/1989	Ha .....	A01M 23/18 43/61
5,094,027 A *	3/1992	Smotherman .....	A01M 23/08 43/60
D711,495 S *	8/2014	Metlen .....	D22/119
D830,492 S *	10/2018	Ambler .....	D22/119
D836,747 S *	12/2018	Ambler .....	D22/119
D861,824 S *	10/2019	Yang .....	D22/119
D899,553 S *	10/2020	Yang .....	D22/119
D961,715 S *	8/2022	Luo .....	D22/119
D961,716 S *	8/2022	Luo .....	D22/119
D963,102 S *	9/2022	Daniil .....	D22/119

\* cited by examiner

*Primary Examiner* — Mojtaba Tehrani

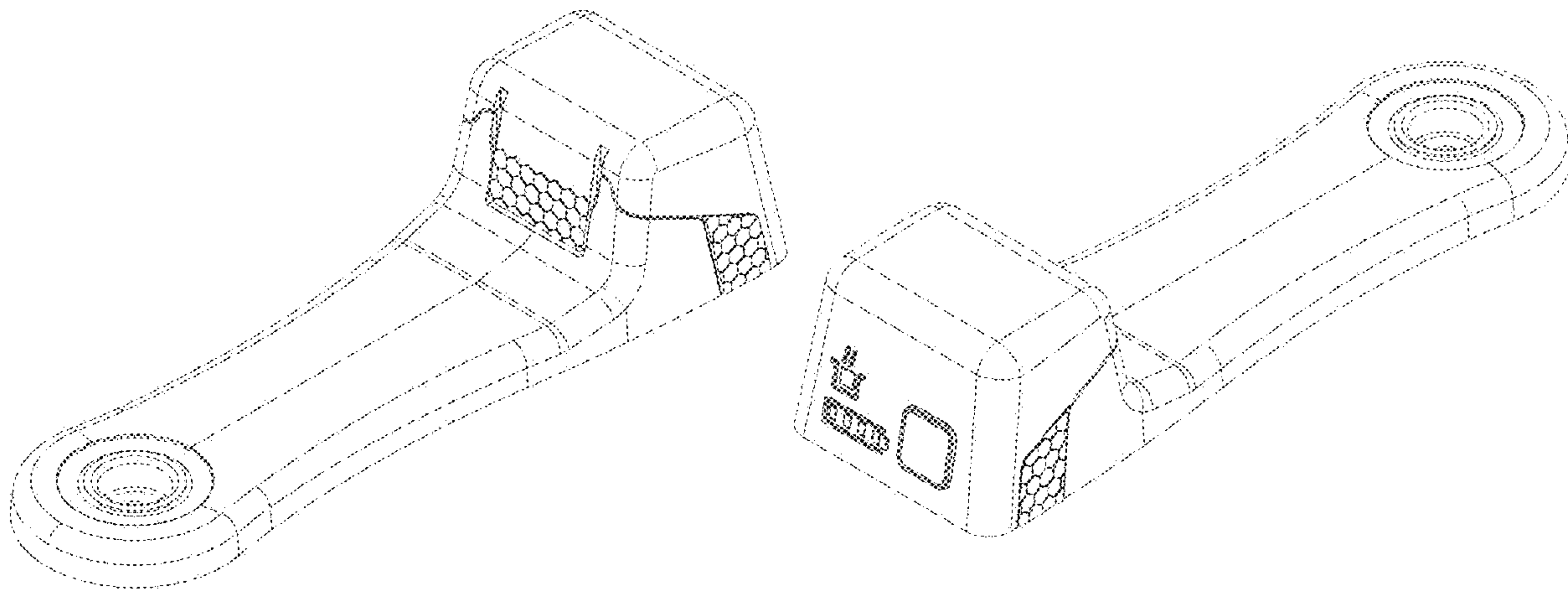
(57) **CLAIM**

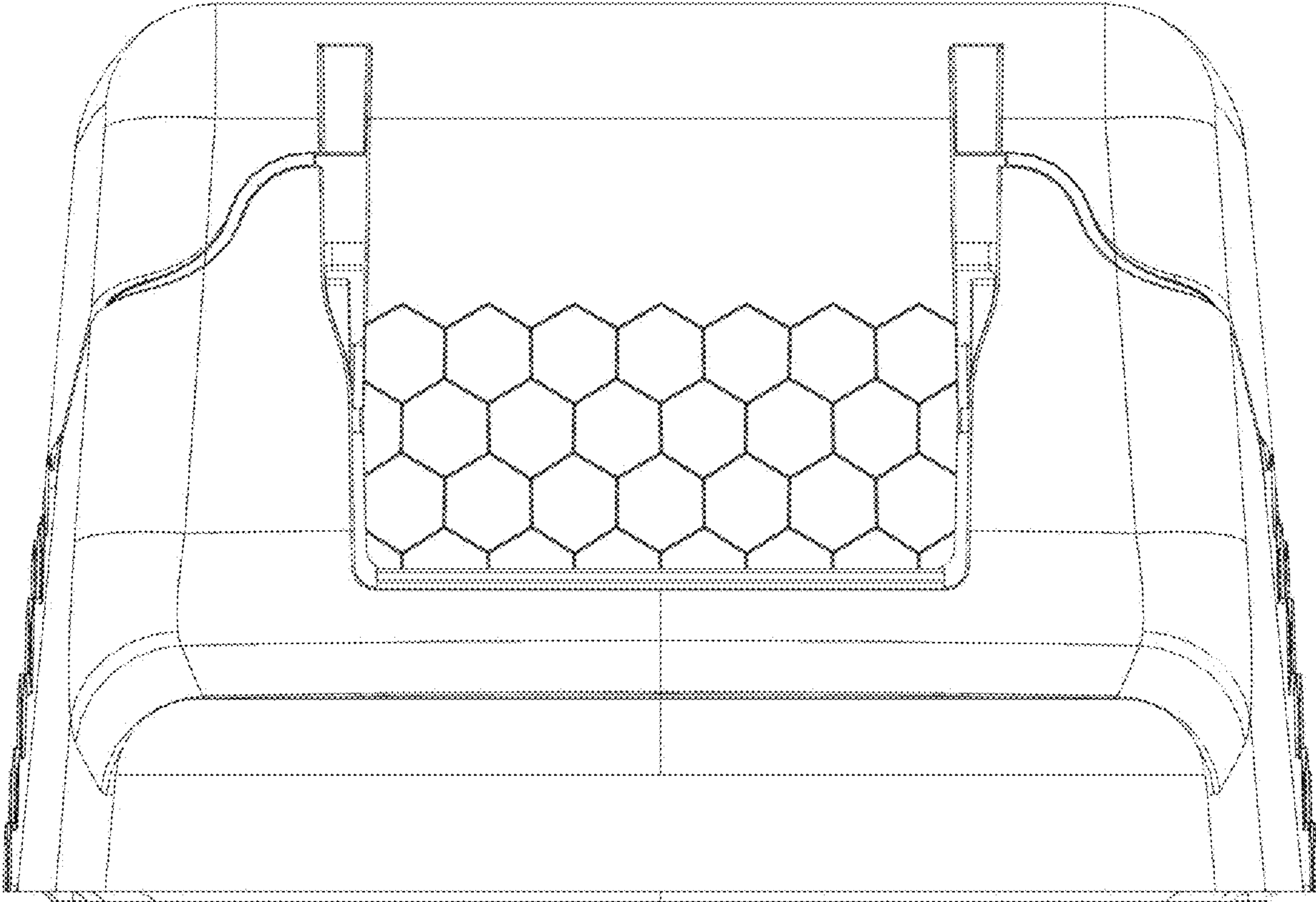
The ornamental design for an atomizer for insecticides, as shown and described.

**DESCRIPTION**

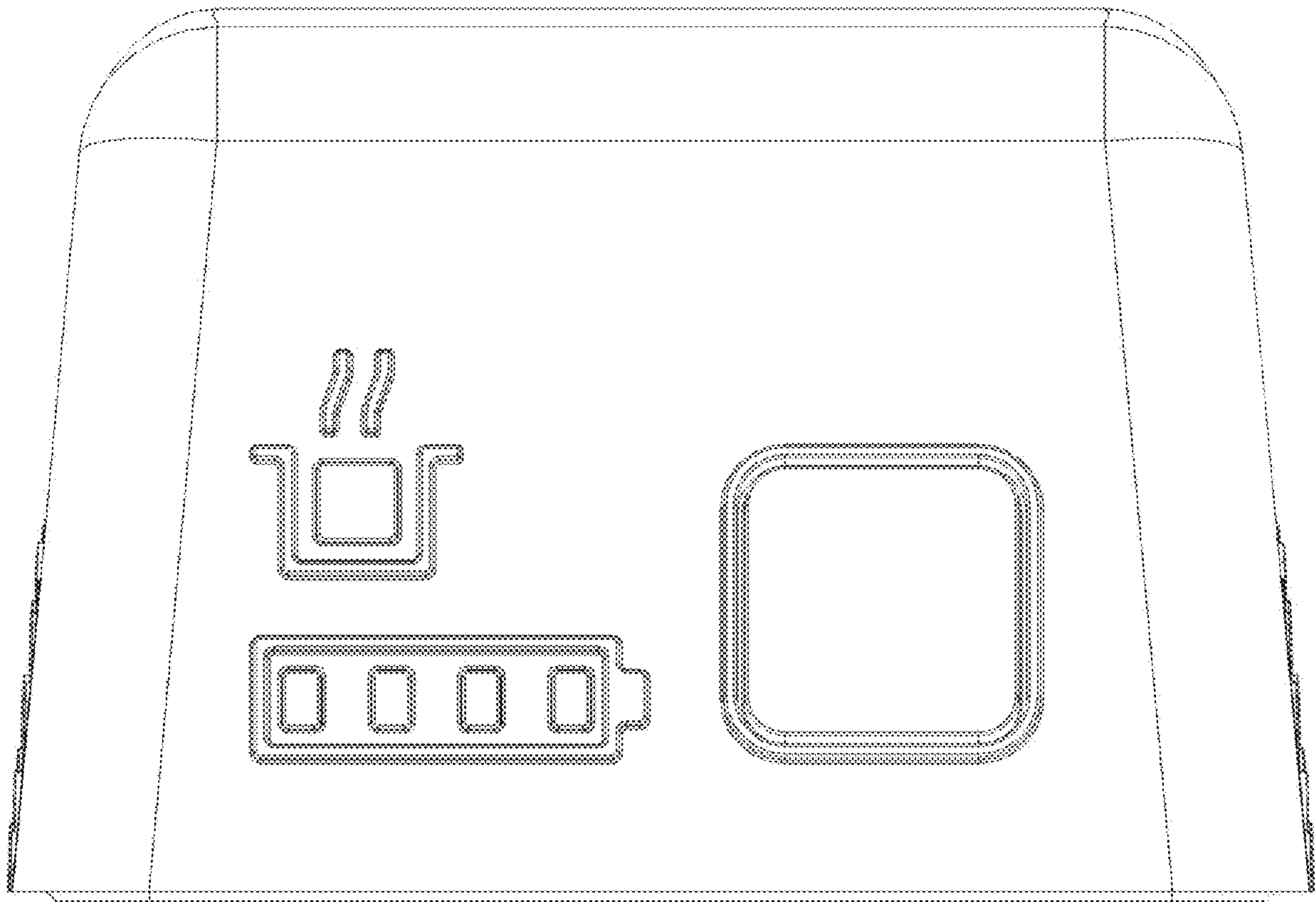
- 1.1 is a front view of an atomizer for insecticides showing the new design;
- 1.2 is a back view thereof;
- 1.3 is a left side view thereof;
- 1.4 is a right side view thereof;
- 1.5 is a top view thereof;
- 1.6 is a top, front, left side perspective view thereof;
- 1.7 is a top, rear, right side perspective view thereof;
- 1.8 is a top, front, left side exploded view thereof; and
- 1.9 is a top, rear, right side exploded view thereof.

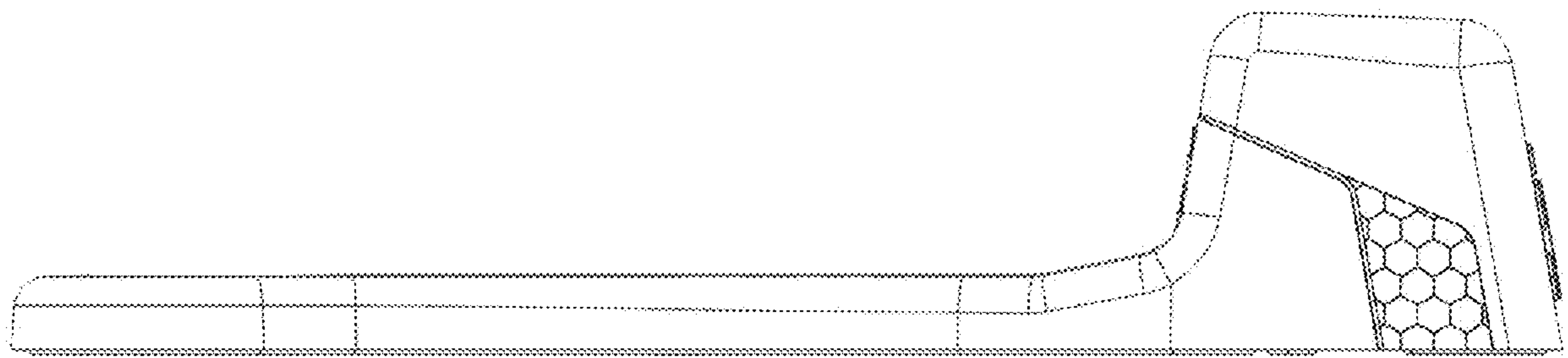
**1 Claim, 9 Drawing Sheets**



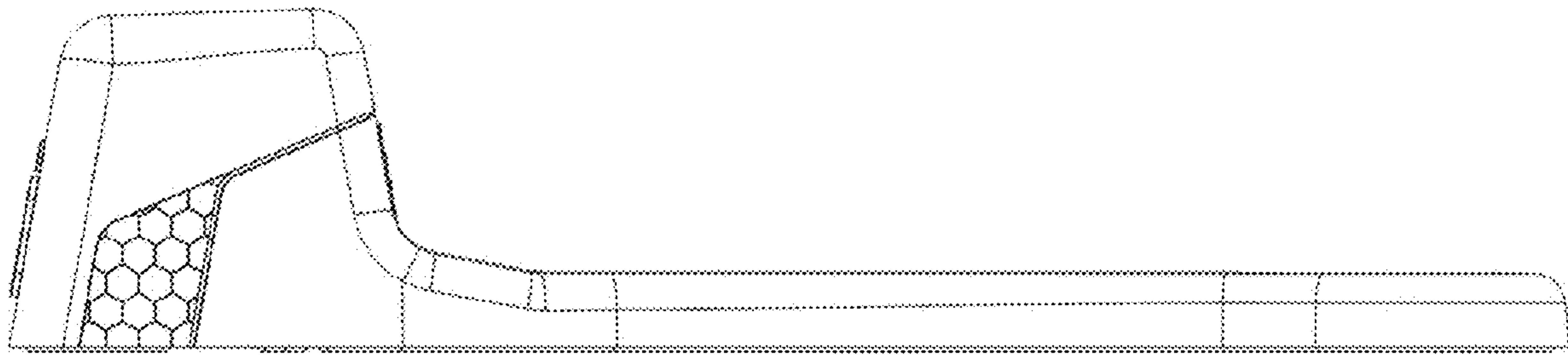


1.1

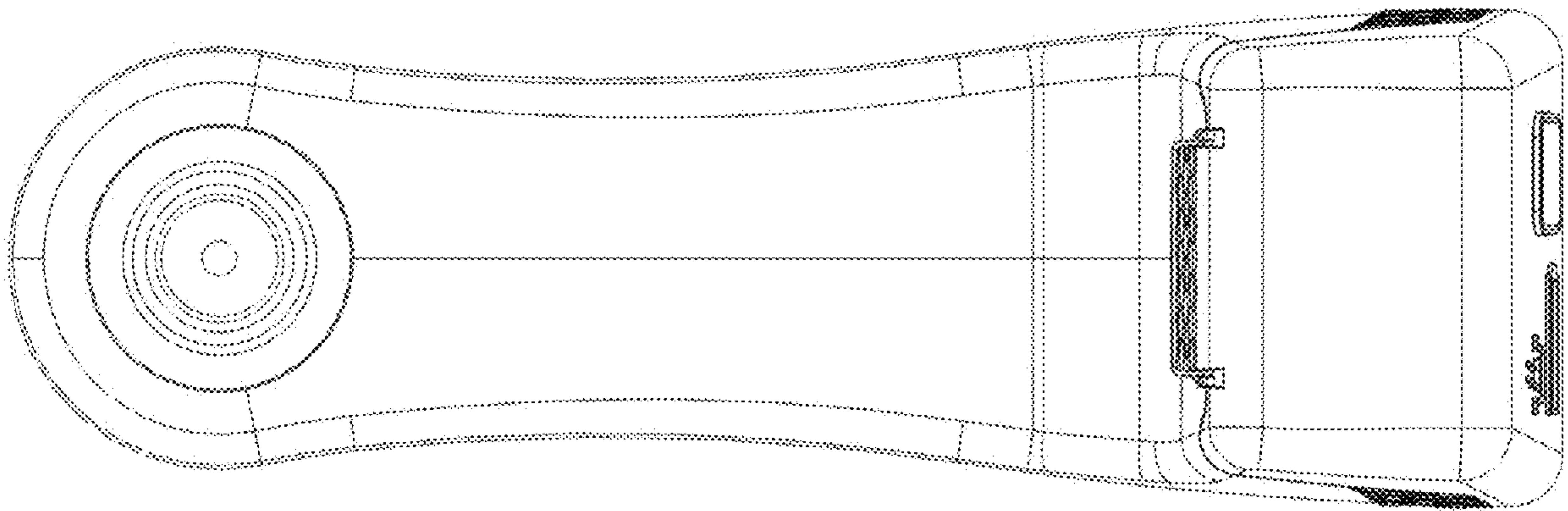




1.3

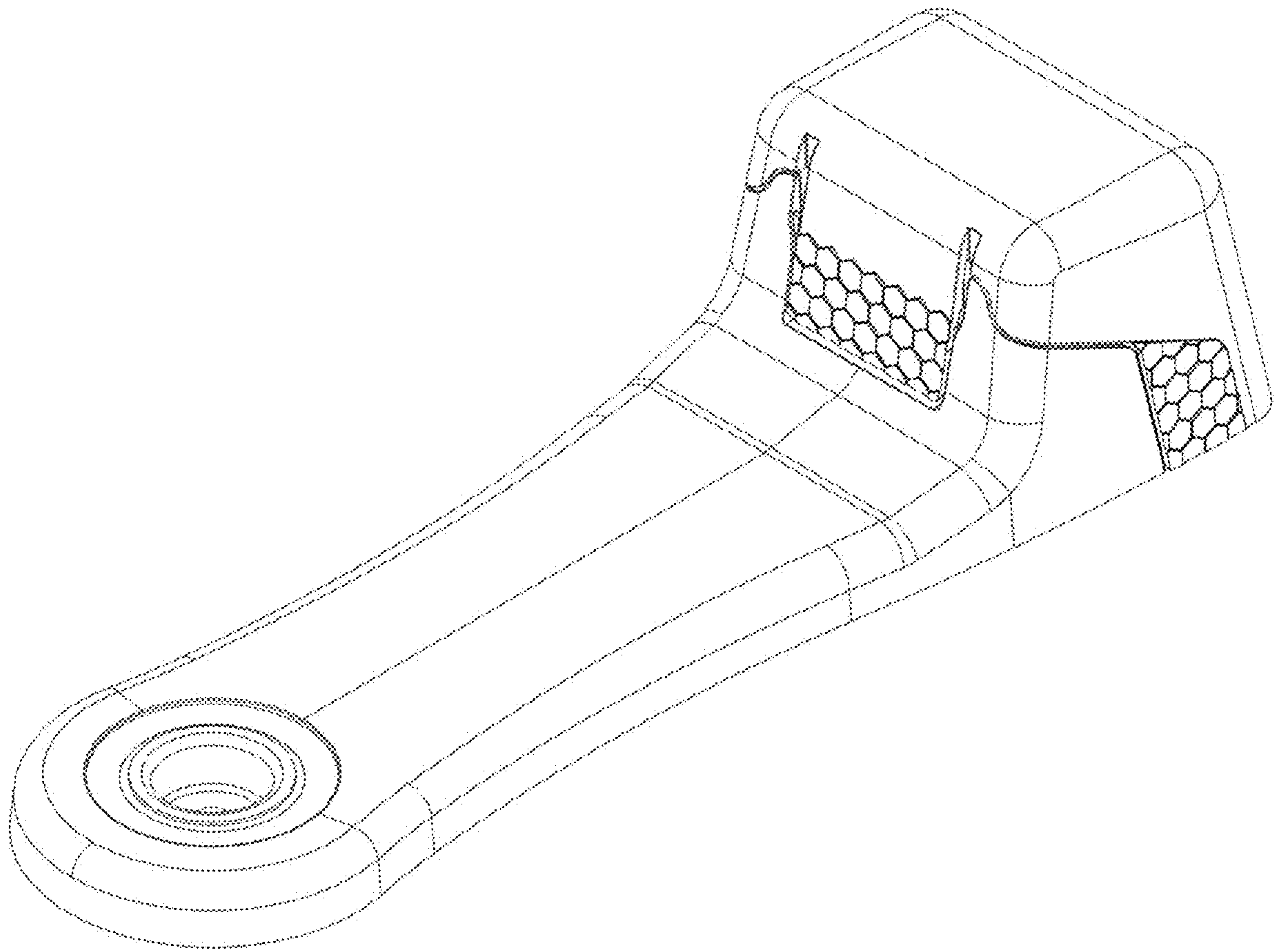


1.4

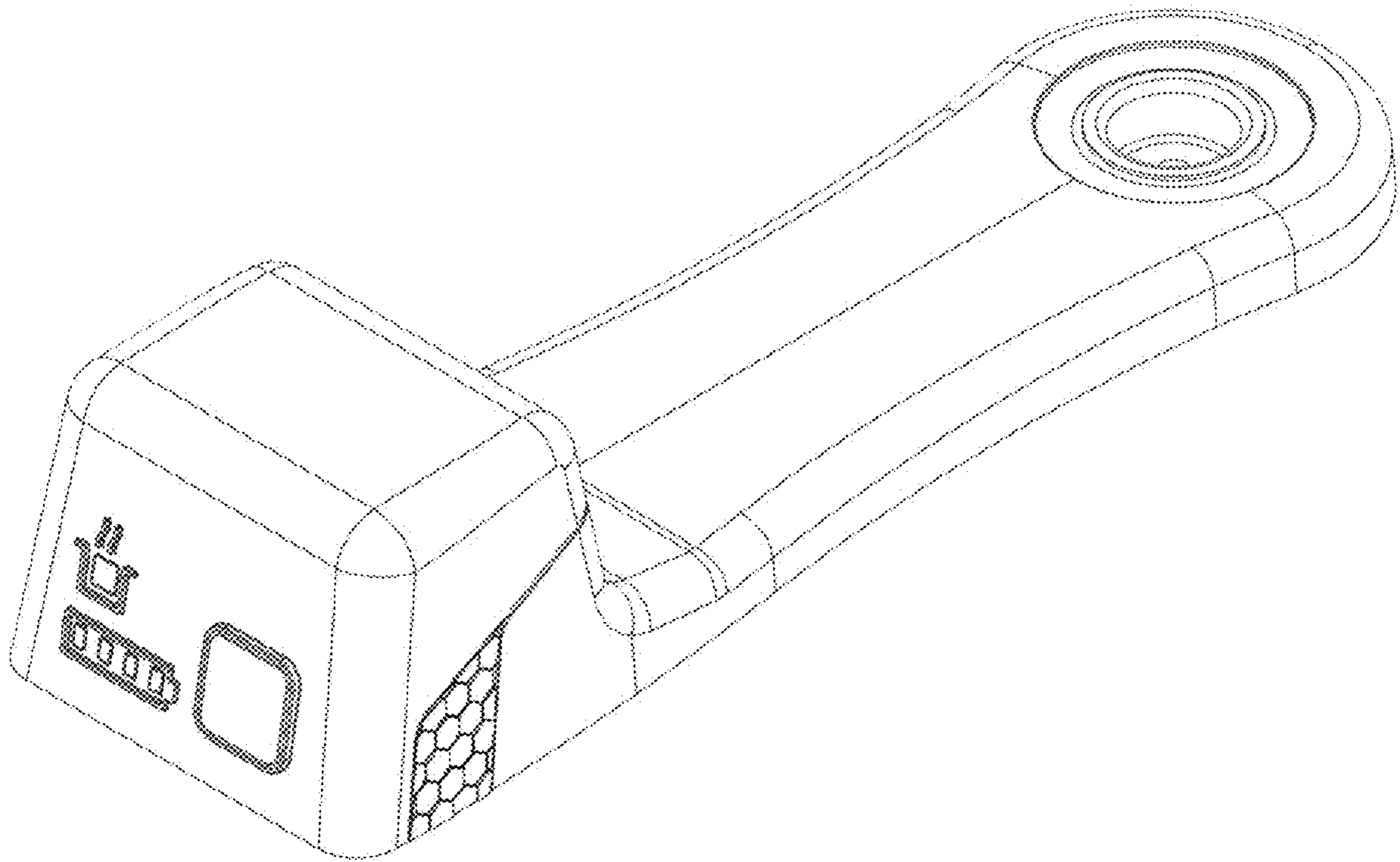


1.5



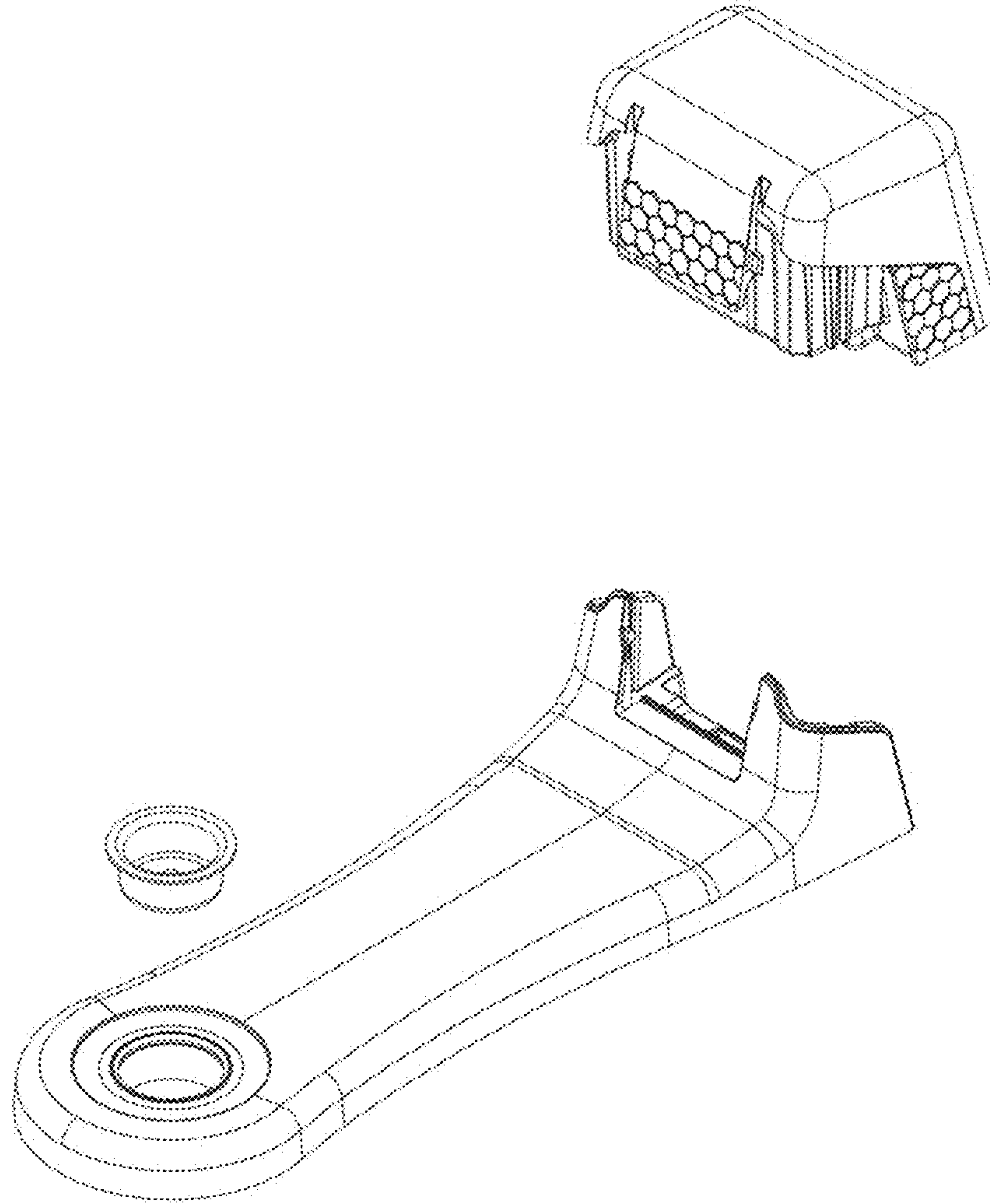


1.6

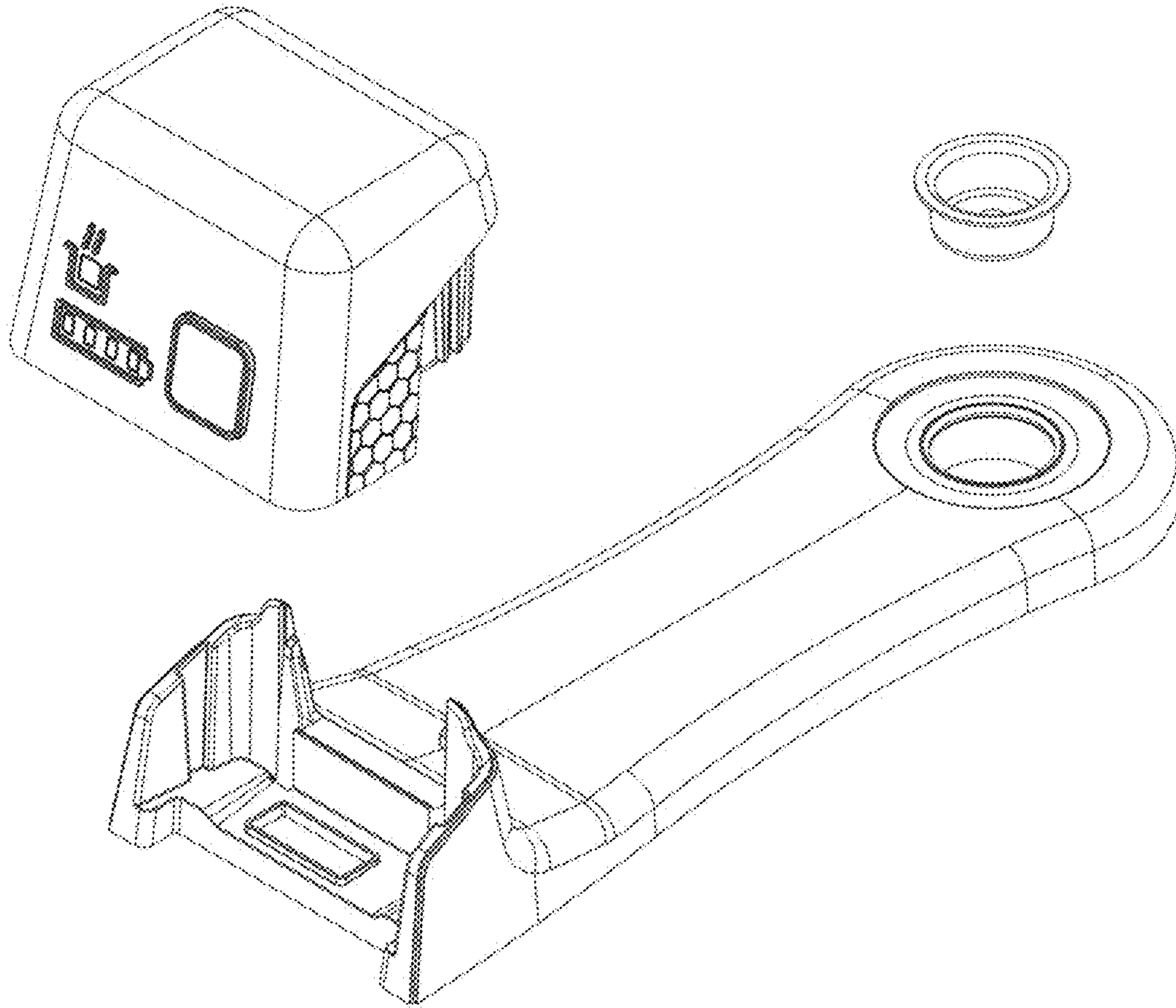


1.7





1.8



1.9