



US00D983926S

(12) **United States Design Patent**
Wang

(10) **Patent No.:** **US D983,926 S**
(45) **Date of Patent:** **** Apr. 18, 2023**

(54) **SHOOTING TARGET**

(71) Applicant: **Feifei Wang**, Hubei (CN)

(72) Inventor: **Feifei Wang**, Hubei (CN)

(**) Term: **15 Years**

(21) Appl. No.: **29/861,091**

(22) Filed: **Nov. 25, 2022**

(51) **LOC (14) Cl.** **22-04**

(52) **U.S. Cl.**
USPC **D22/113; D21/306**

(58) **Field of Classification Search**
USPC D22/113, 114; D21/301, 302, 306, 308
CPC F41J 5/02; F41J 5/24; F41J 1/01
See application file for complete search history.

(56) **References Cited**

U.S. PATENT DOCUMENTS

434,522	A *	8/1890	Pederson	F41J 7/04 273/390
3,097,303	A *	7/1963	Ulrich	F41J 5/02 250/215
D257,779	S *	1/1981	Sippola	D21/699
4,373,733	A *	2/1983	Smith, Jr.	F41J 5/24 273/386
4,614,345	A *	9/1986	Doughty	F41J 7/04 273/392
5,263,722	A *	11/1993	Rosellen	F41J 7/04 273/391
D406,302	S *	3/1999	Simpson	D22/100
6,896,267	B1 *	5/2005	Le Anna	F41J 7/04 273/391
7,114,725	B2 *	10/2006	Camp	F41J 1/10 273/390
8,807,570	B1 *	8/2014	Zalar	F41J 7/04 273/390
9,163,912	B1 *	10/2015	Stark	F41J 7/04

(Continued)

OTHER PUBLICATIONS

“Highwild Target Stand System—AR500 Steel Target with 2x4 Mount Kit” [online]. Highwild. [Date first available Apr. 1, 2019]. Retrieved from the Internet: <<https://www.amazon.com/dp/B07Q85C71C>>.*

(Continued)

Primary Examiner — Mojtaba Tehrani

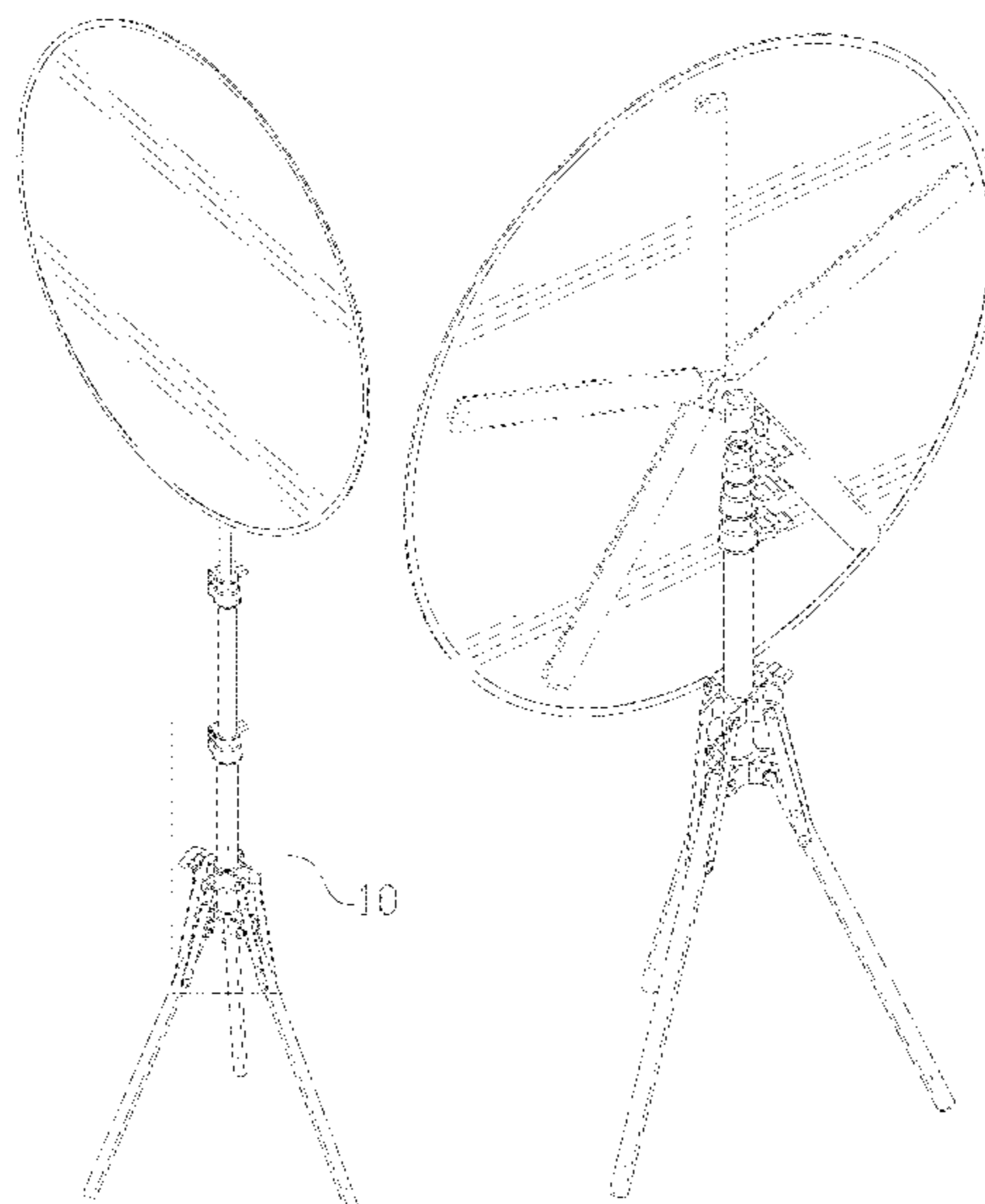
(57) **CLAIM**

The ornamental design for a shooting target, as shown and described.

DESCRIPTION

FIG. 1 is a front and top perspective view of a shooting target, showing my new design;
 FIG. 2 is a rear and bottom perspective view thereof;
 FIG. 3 is a rear and top perspective view thereof;
 FIG. 4 is a front elevation view thereof;
 FIG. 5 is a rear elevation view thereof;
 FIG. 6 is a left side elevation view thereof;
 FIG. 7 is a right side elevation view thereof;
 FIG. 8 is a top plan view thereof;
 FIG. 9 is a bottom plan view thereof;
 FIG. 10 is an enlarged perspective view of detail “10” identified in FIG. 1;
 FIG. 11 is an enlarged perspective view of detail “11” identified in FIG. 2;
 FIG. 12 is an enlarged perspective view of detail “12” identified in FIG. 3;
 FIG. 13 is another perspective, view thereof, shown in an alternative position; and,
 FIG. 14 is another perspective view thereof, shown in an alternative position.
 The dashed lines in the figures illustrate portions of the shooting target that form no part of the claimed design. The dash dot dash lines in FIGS. 1, 2, 3, 10, 11 and 12 are for the purpose of illustrating the enlarged views indicators and form no part of the claimed design.

1 Claim, 14 Drawing Sheets



(56)

References Cited

U.S. PATENT DOCUMENTS

9,228,809	B1 *	1/2016	Relyea	F41J 9/02
9,702,667	B1 *	7/2017	Gutierrez	F41J 9/02
D815,241	S *	4/2018	Woller	D22/113
D841,759	S *	2/2019	Thompson	D22/113
D895,054	S *	9/2020	Moyer	D22/113
D910,799	S	2/2021	Staats	
D917,653	S *	4/2021	Howell	D22/113
D917,654	S *	4/2021	Howell	D22/113
D928,269	S *	8/2021	Cheng	D22/113
D933,773	S *	10/2021	Howell	D22/113
2010/0225063	A1 *	9/2010	Wyrick	F41J 1/10
				273/390
2013/0328268	A1 *	12/2013	Eggiman	F41J 7/04
				273/378
2015/0069709	A1 *	3/2015	Doria	F41J 1/10
				273/407
2019/0383585	A1 *	12/2019	Boring	F41J 5/24
2021/0063123	A1 *	3/2021	King	F41J 5/24

OTHER PUBLICATIONS

“Birchwood Casey Ground Strike Target Kit 8" Plate with 12-6" Shoot-N-C Targets” [online]. Birchwood Casey. [Retrieved on Dec. 14, 2022]. Retrieved from the Internet: <<https://ads.midwayusa.com/product/1014998394>>.*

* cited by examiner

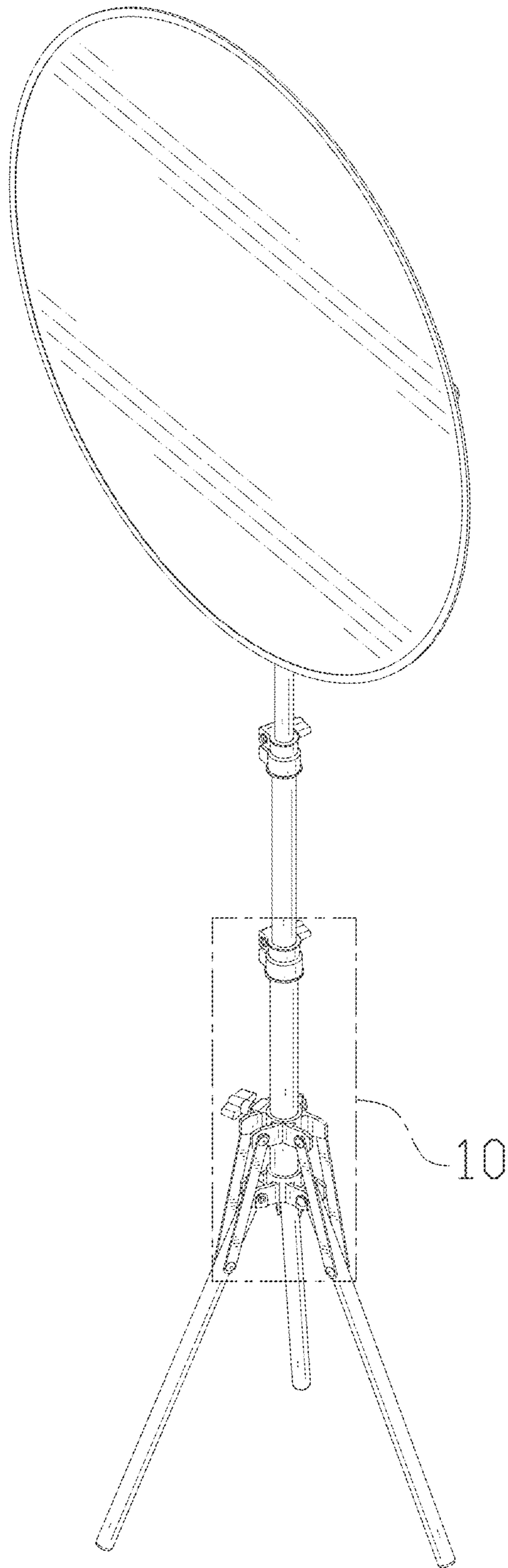


FIG. 1

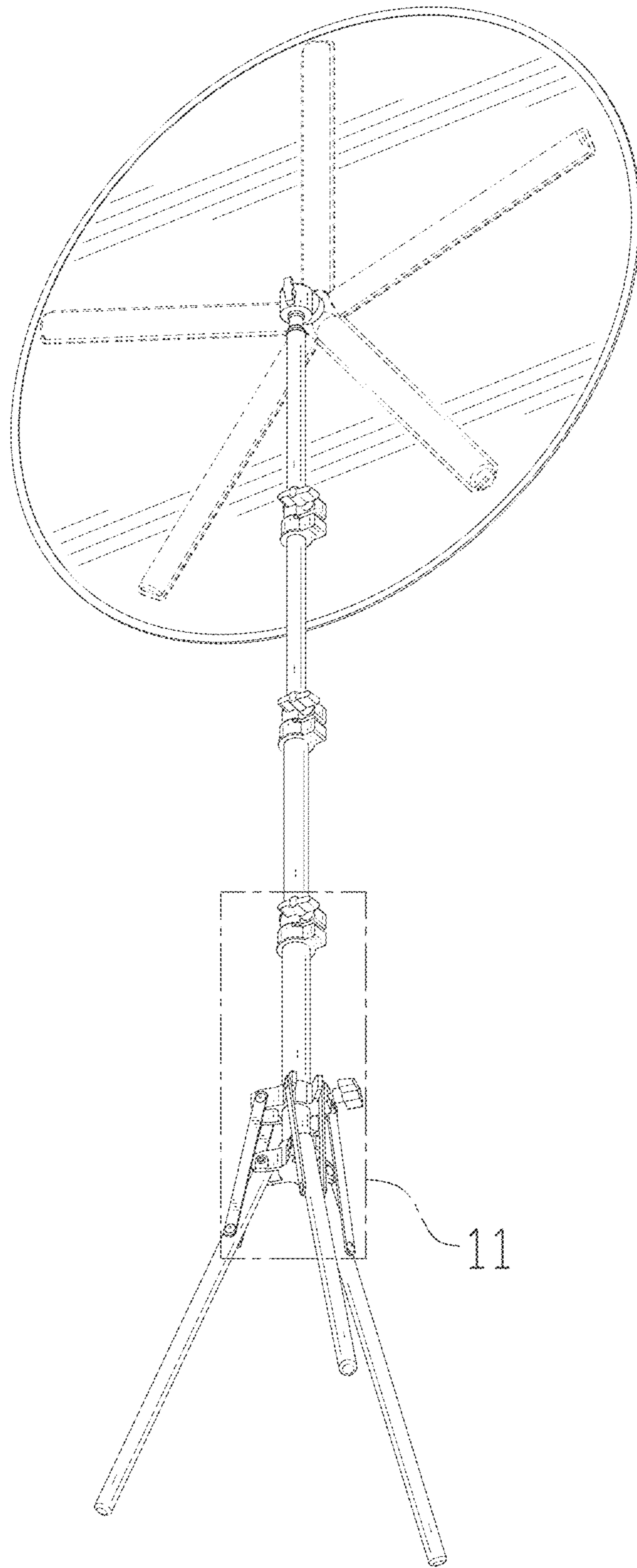


FIG. 2

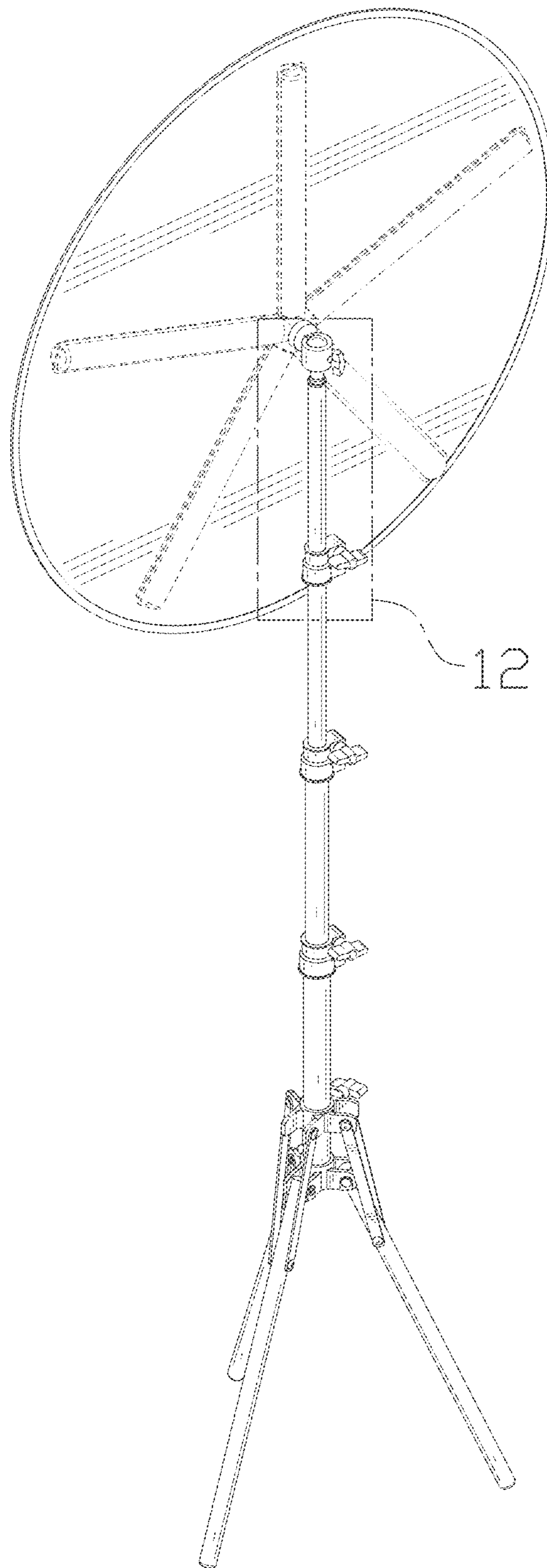


FIG. 3

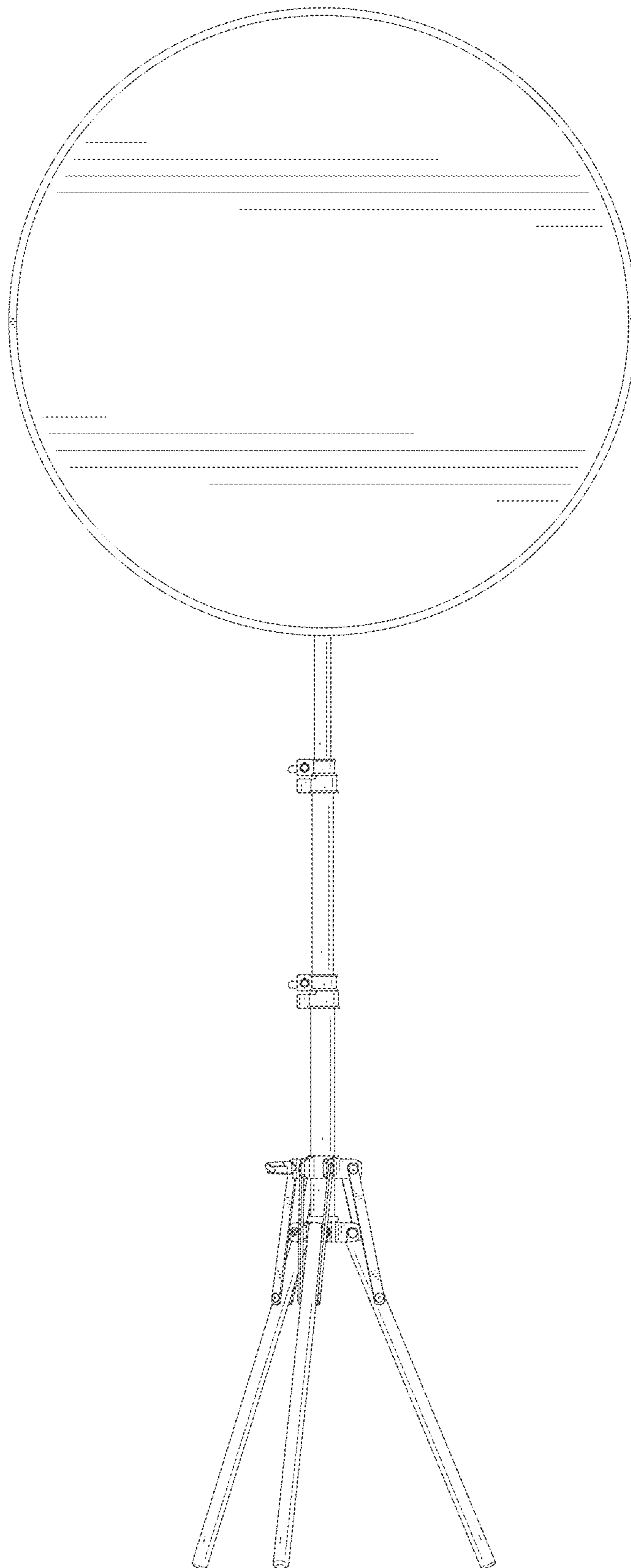


FIG. 4

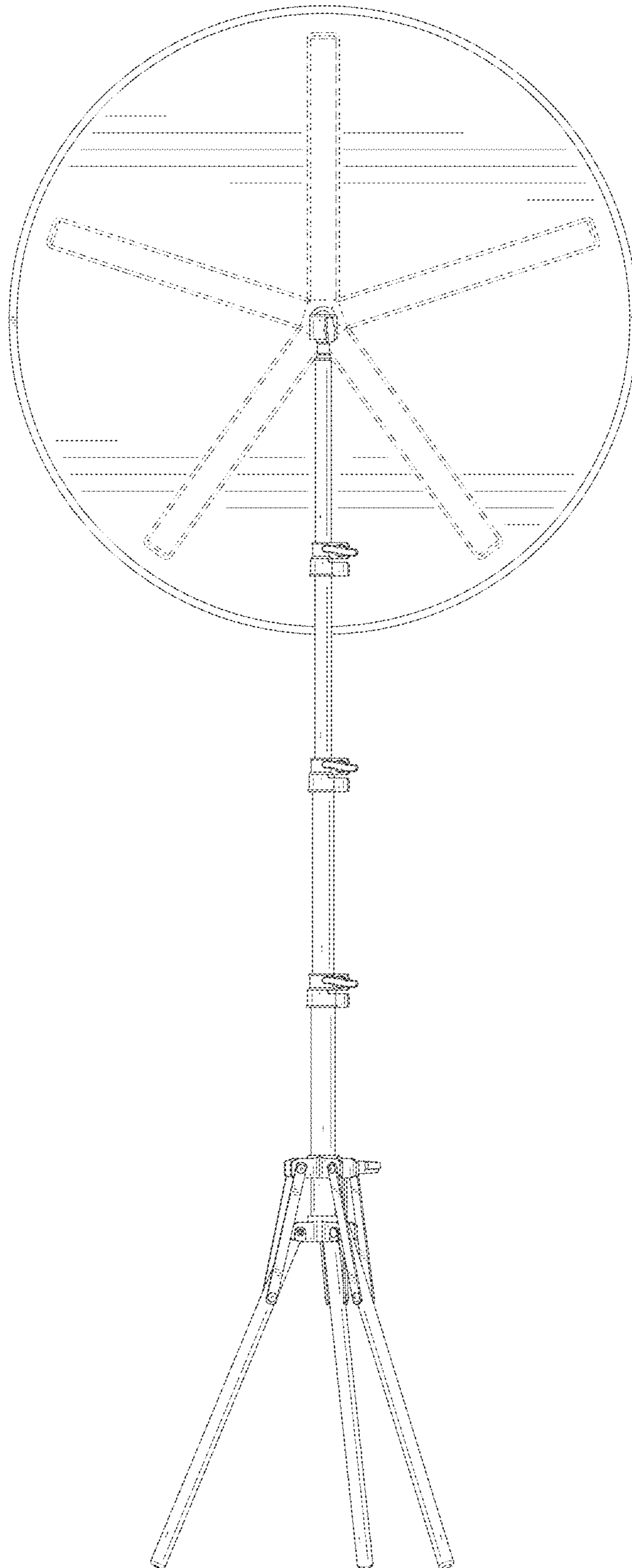


FIG. 5

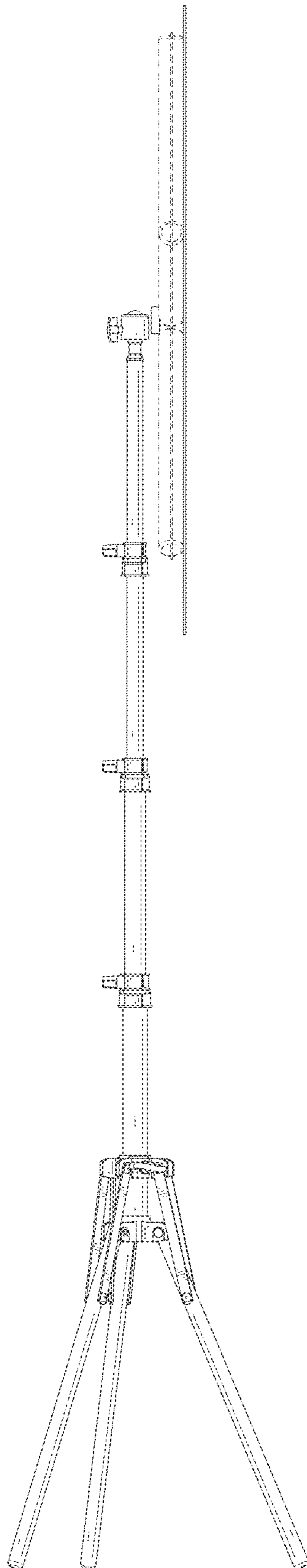


FIG. 6

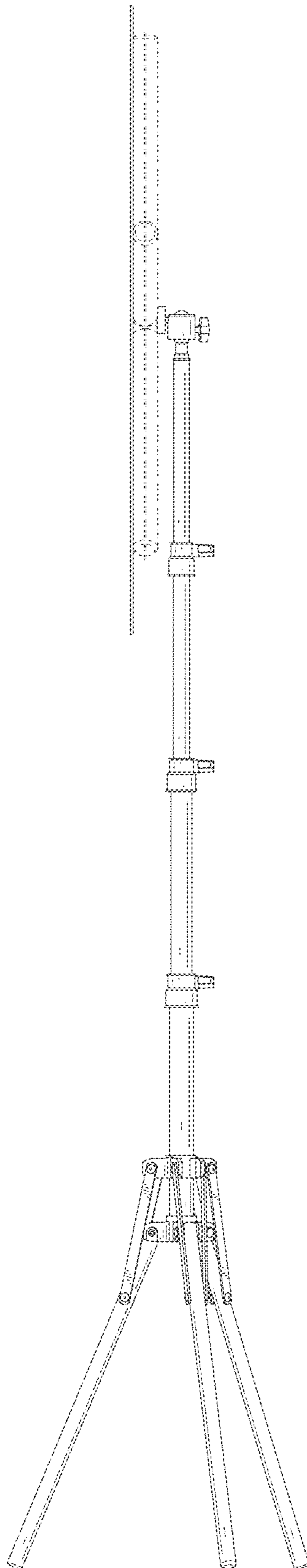


FIG. 7

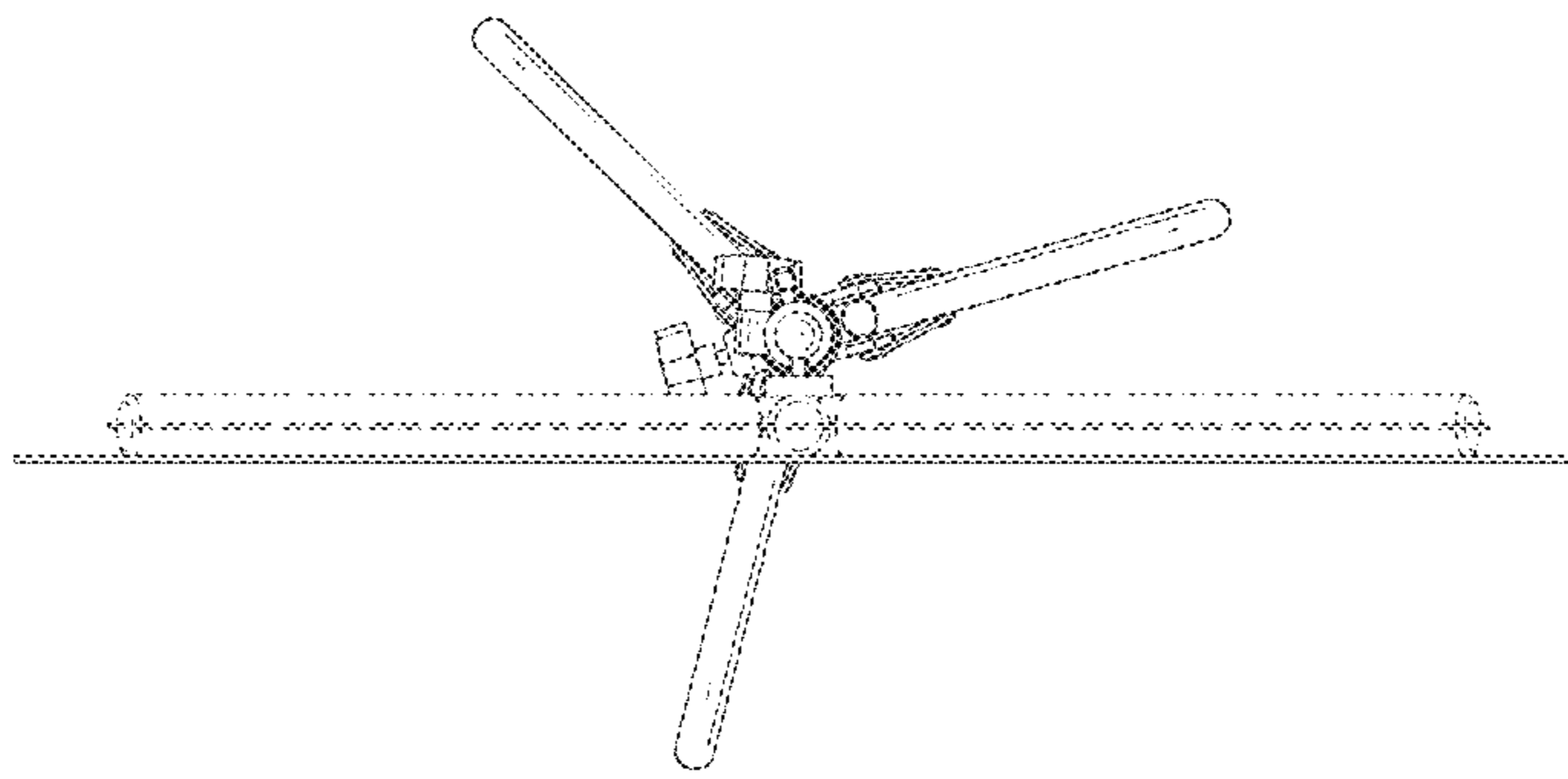


FIG. 8

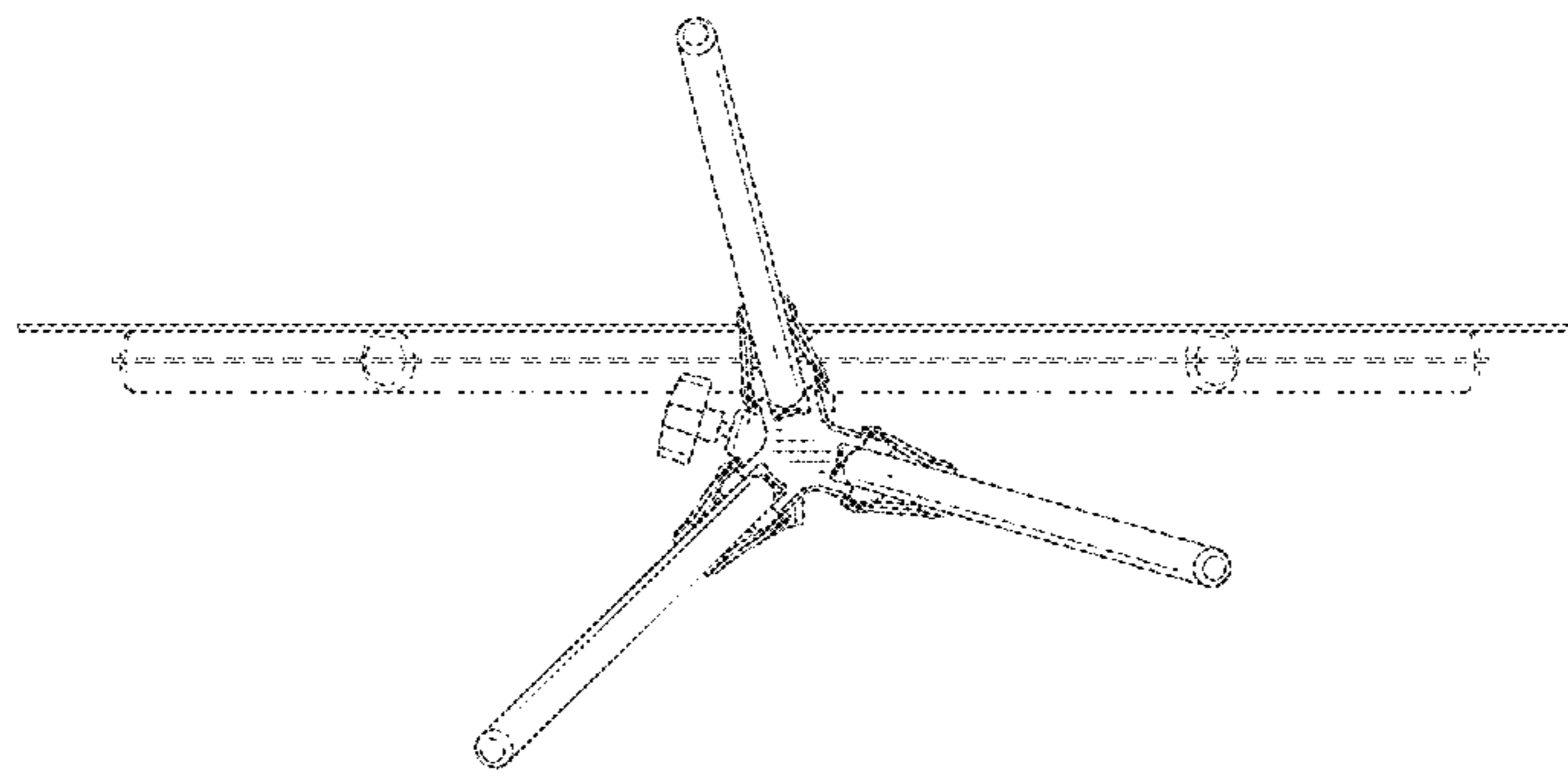


FIG. 9

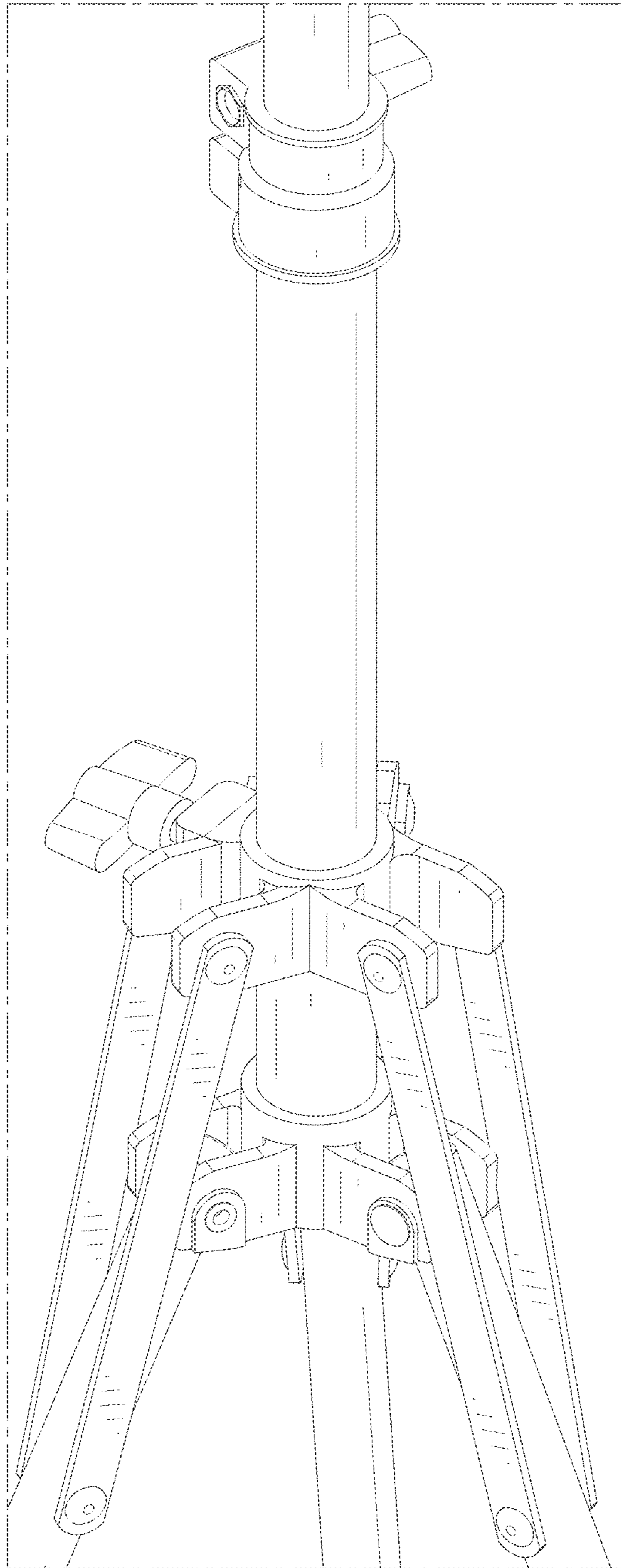


FIG. 10

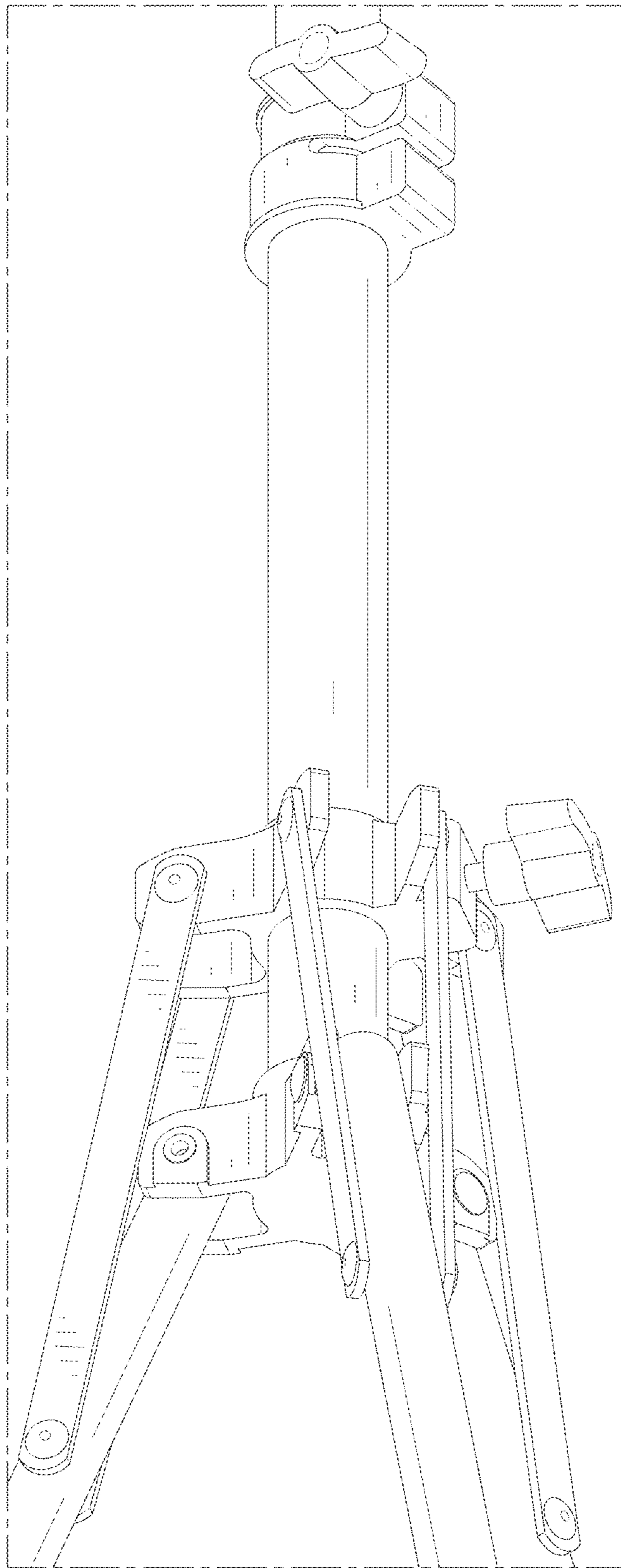


FIG. 11

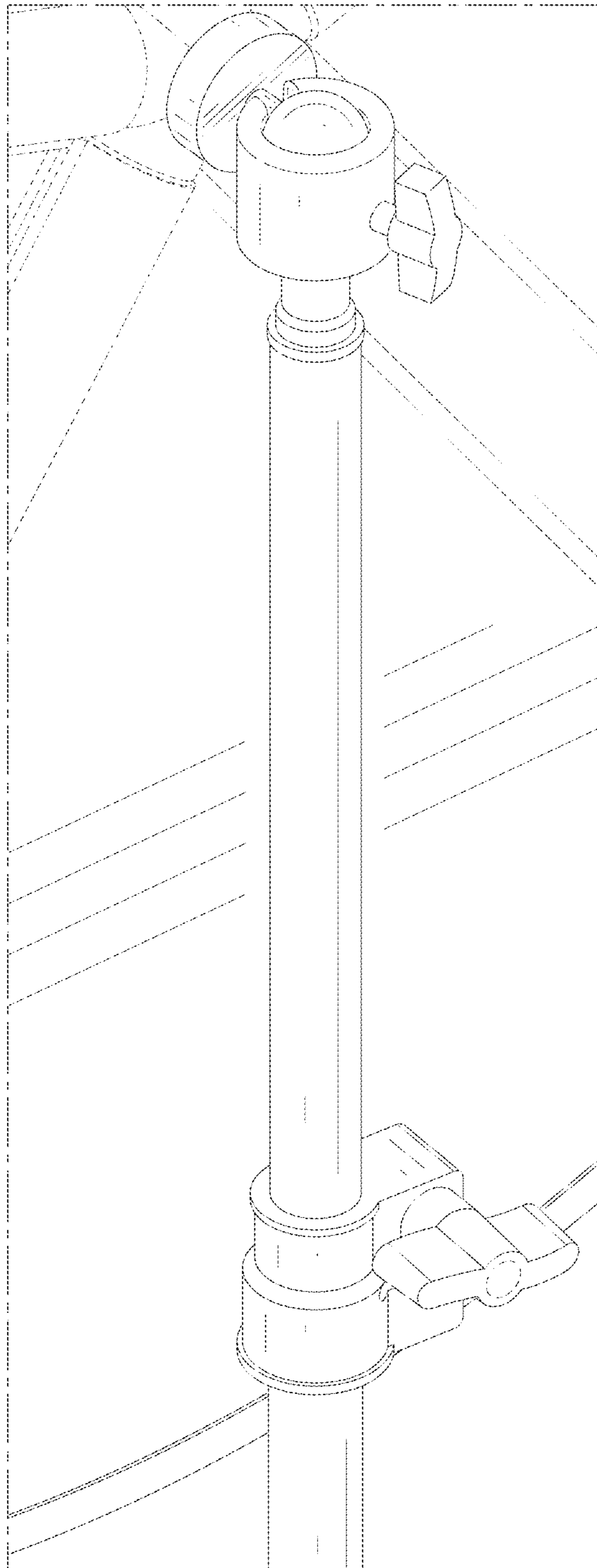


FIG. 12

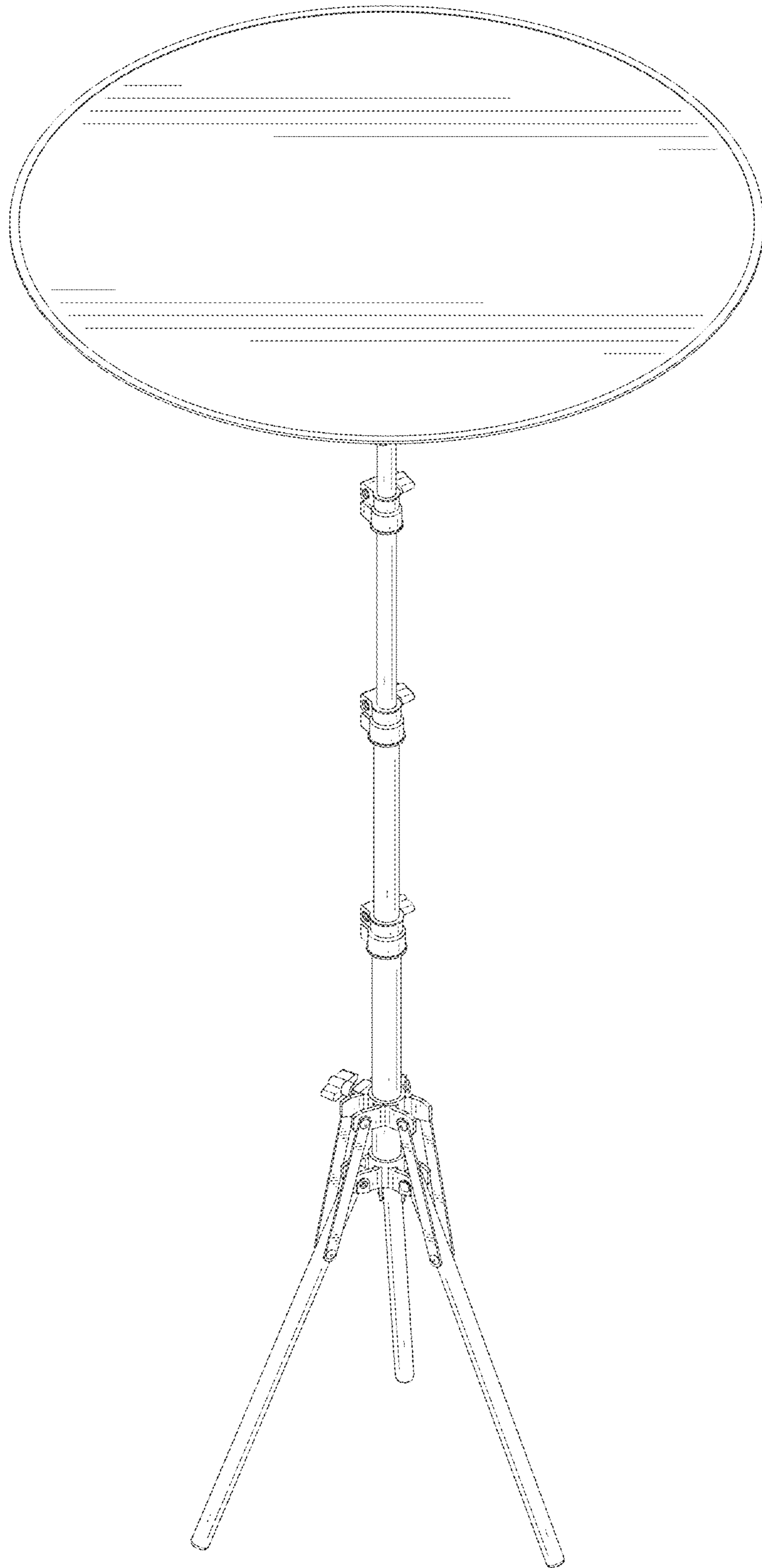


FIG. 13

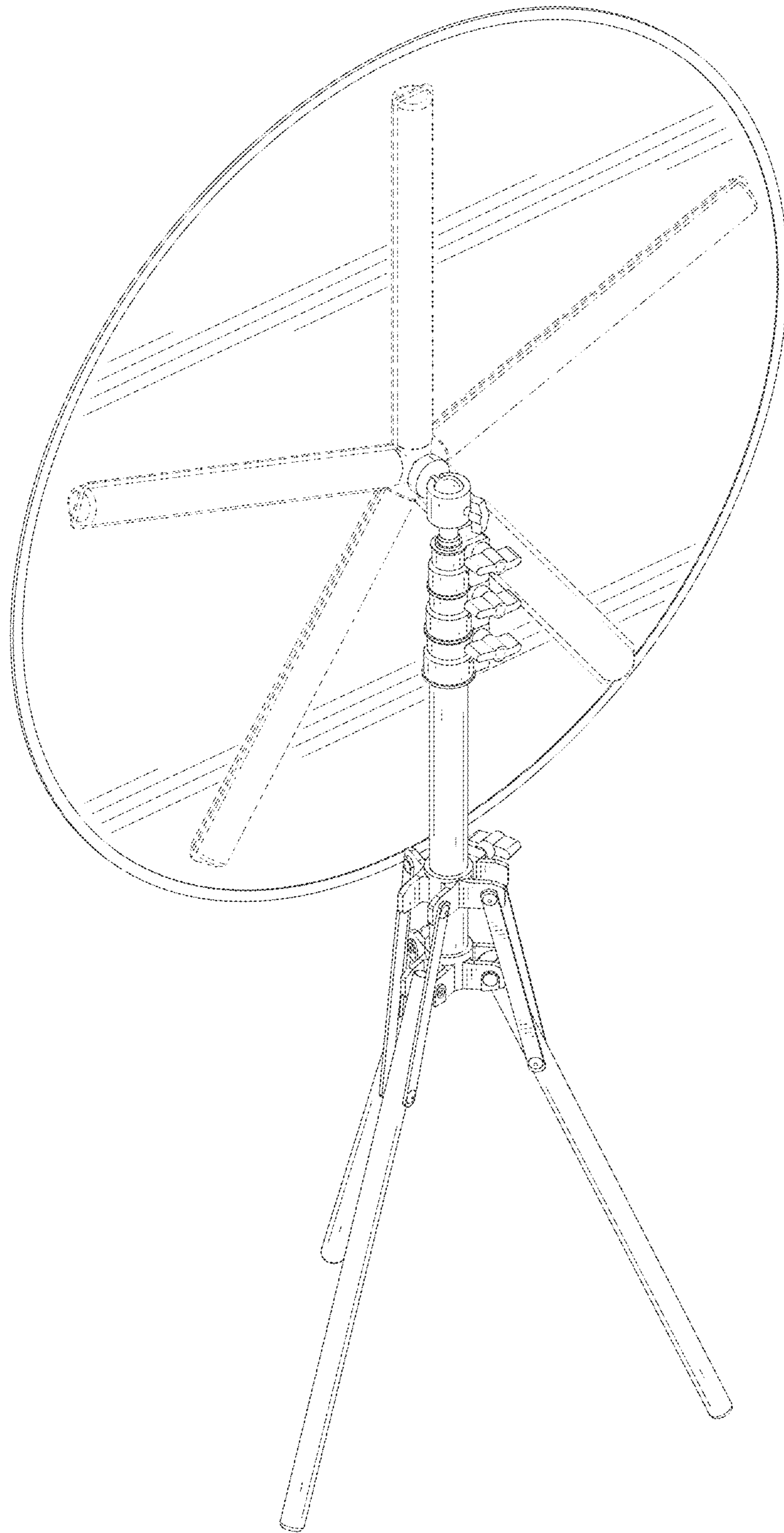


FIG. 14