



US00D983925S

(12) **United States Design Patent**  
**Liu**

(10) **Patent No.:** **US D983,925 S**  
(45) **Date of Patent:** **\*\* Apr. 18, 2023**

(54) **LED WEAPONLIGHT WITH LASER SIGHTS**

(71) Applicant: **Shenzhen Jiawo Industrial Co., Ltd.**,  
Shenzhen (CN)

(72) Inventor: **Huizhu Liu**, Shenzhen (CN)

(73) Assignee: **Shenzhen Jiawo Industrial Co., Ltd.**,  
Shenzhen (CN)

(\*\*) Term: **15 Years**

(21) Appl. No.: **29/802,376**

(22) Filed: **Aug. 4, 2021**

(51) **LOC (14) Cl.** ..... **22-01**

(52) **U.S. Cl.**  
USPC ..... **D22/109**; D26/60

(58) **Field of Classification Search**  
USPC ..... D22/108, 109, 110; D26/60; D16/220;  
D10/70

CPC ..... F41G 1/14; F41G 1/38; F41G 1/40; F41G  
1/16; F41G 1/02; F41G 1/06

See application file for complete search history.

(56) **References Cited**

**U.S. PATENT DOCUMENTS**

|            |   |         |                         |       |         |
|------------|---|---------|-------------------------|-------|---------|
| D400,226 S | * | 10/1998 | Tenne                   | ..... | D16/220 |
| D629,826 S | * | 12/2010 | Funakoshi               | ..... | D16/220 |
| D672,005 S | * | 12/2012 | Hedeen                  | ..... | D22/109 |
| D738,455 S | * | 9/2015  | Homem de Mello Anderson | ..... | D22/109 |
| D749,184 S | * | 2/2016  | Sakiewicz               | ..... | D22/108 |
| D796,622 S | * | 9/2017  | Sharrah                 | ..... | D22/109 |
| D800,864 S | * | 10/2017 | Hartley                 | ..... | D22/109 |
| D857,268 S | * | 8/2019  | Worman                  | ..... | D26/60  |
| D862,633 S | * | 10/2019 | Tuller                  | ..... | D22/109 |
| D872,334 S | * | 1/2020  | Fan                     | ..... | D22/108 |
| D872,919 S | * | 1/2020  | Fan                     | ..... | D22/108 |
| D879,907 S | * | 3/2020  | Prestwich               | ..... | D22/109 |
| D898,260 S | * | 10/2020 | Worman                  | ..... | D22/108 |

|                 |   |         |           |       |                       |
|-----------------|---|---------|-----------|-------|-----------------------|
| D898,261 S      | * | 10/2020 | Worman    | ..... | D22/108               |
| D907,267 S      | * | 1/2021  | Worman    | ..... | D26/60                |
| D907,268 S      | * | 1/2021  | Worman    | ..... | D26/60                |
| D907,269 S      | * | 1/2021  | Worman    | ..... | D26/60                |
| D907,270 S      | * | 1/2021  | Worman    | ..... | D26/60                |
| D940,266 S      | * | 1/2022  | Wang      | ..... | D22/109               |
| D947,312 S      | * | 3/2022  | Li        | ..... | D22/109               |
| D960,281 S      | * | 8/2022  | Tuller    | ..... | D22/109               |
| D964,500 S      | * | 9/2022  | Li        | ..... | D22/109               |
| D969,260 S      | * | 11/2022 | Chen      | ..... | D22/108               |
| 2016/0021329 A1 | * | 1/2016  | Sakiewicz | ..... | G11B 27/34<br>386/227 |
| 2018/0292169 A1 | * | 10/2018 | Tuller    | ..... | F41G 1/35             |

**OTHER PUBLICATIONS**

“Votatu HIL-GB Laser Light Combo, 3 in 1 Strobe Green Blue Laser Sight with 750 Lumen Strobe Weapon Light for Pistol, Laser Beams for Handgun Picatinny Mount” [online], Votatu. [Product first available on Dec. 12, 2021]. Retrieved from the Internet: <<https://www.amazon.com/dp/B09NJV16YR>>.\*

(Continued)

*Primary Examiner* — Mojtaba Tehrani

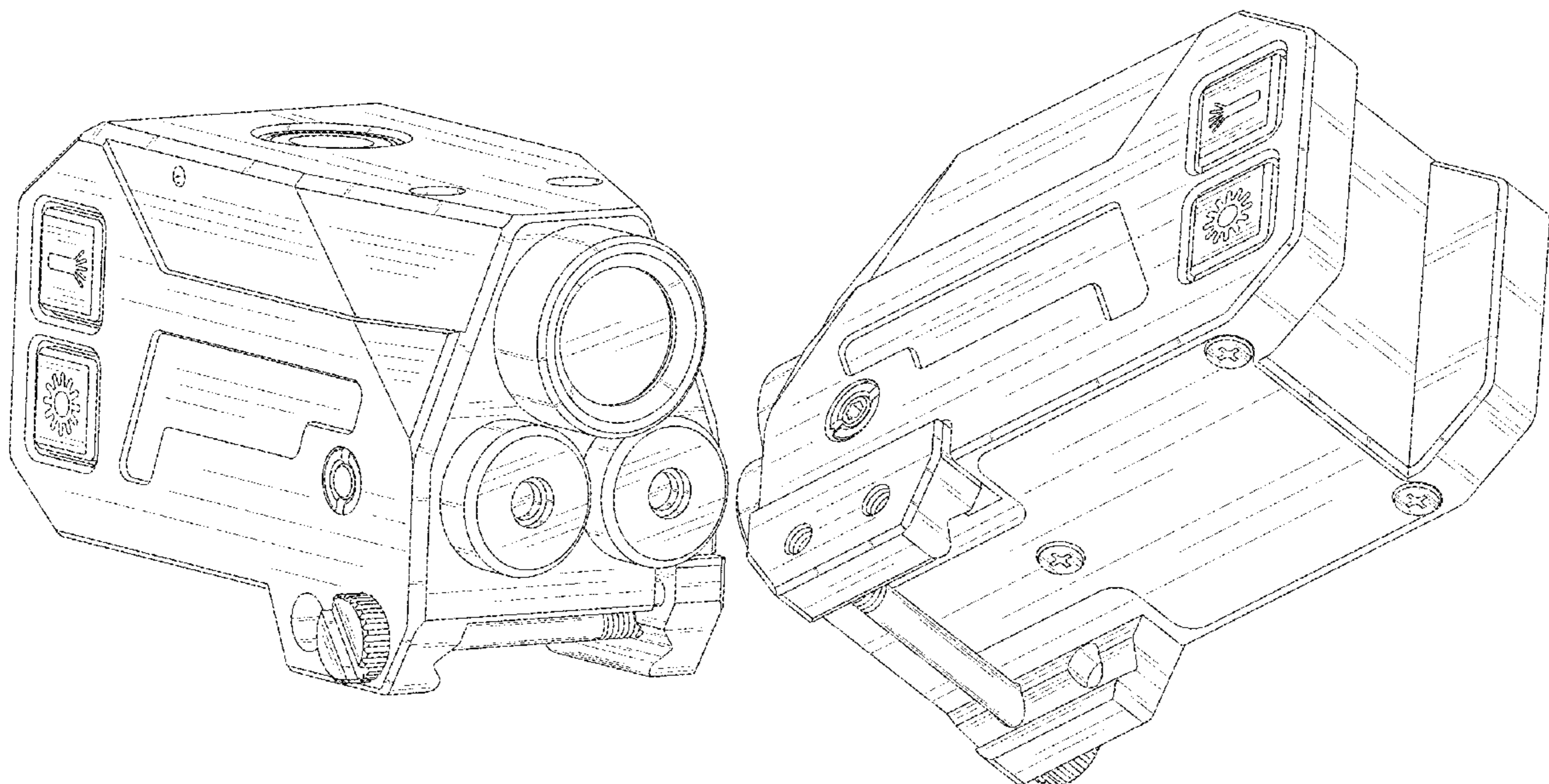
(57) **CLAIM**

The ornamental design for an LED weaponlight with laser sights, as shown and described.

**DESCRIPTION**

FIG. 1 is a top perspective view of a LED weaponlight with laser sights, showing my new design;  
FIG. 2 is a bottom perspective view thereof;  
FIG. 3 is a front view thereof;  
FIG. 4 is a back view thereof;  
FIG. 5 is a left side view thereof;  
FIG. 6 is a right side view thereof;  
FIG. 7 is a top plan view thereof; and,  
FIG. 8 is a bottom plan view thereof.

**1 Claim, 8 Drawing Sheets**



(56)

**References Cited**

OTHER PUBLICATIONS

“SOLOFISH 500lm Pistol Light and Purple/Infrared (IR)/Green Blue Beam Combo, Rechargeable Aluminum Weapon Light and Beams for Guns with a Rail” [online]. SOLOFISH. [Product first available on Oct. 15, 2021]. Retrieved from the Internet: <<https://www.amazon.com/dp/B09JK3MDMT>>.\*

\* cited by examiner

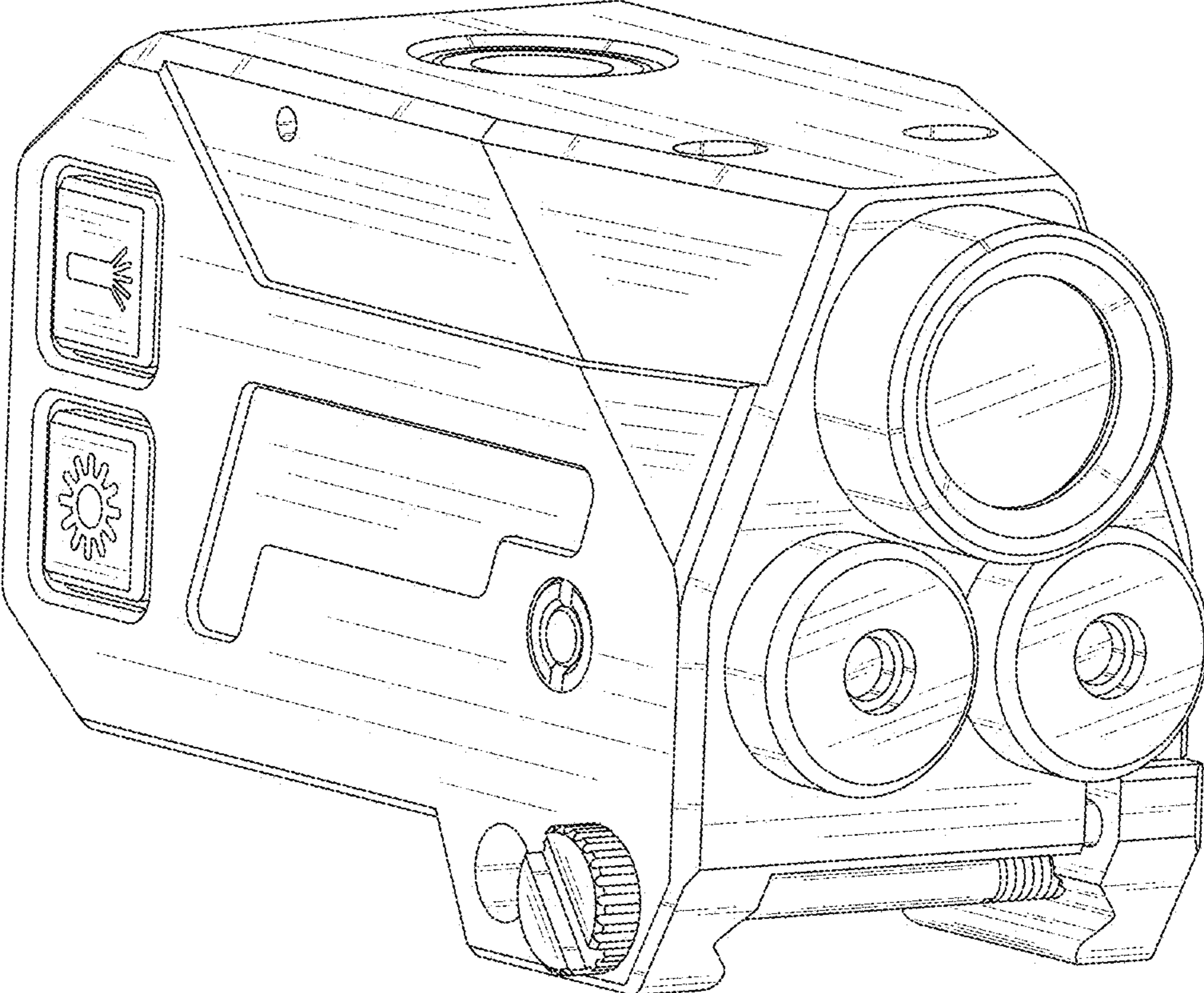


FIG.1

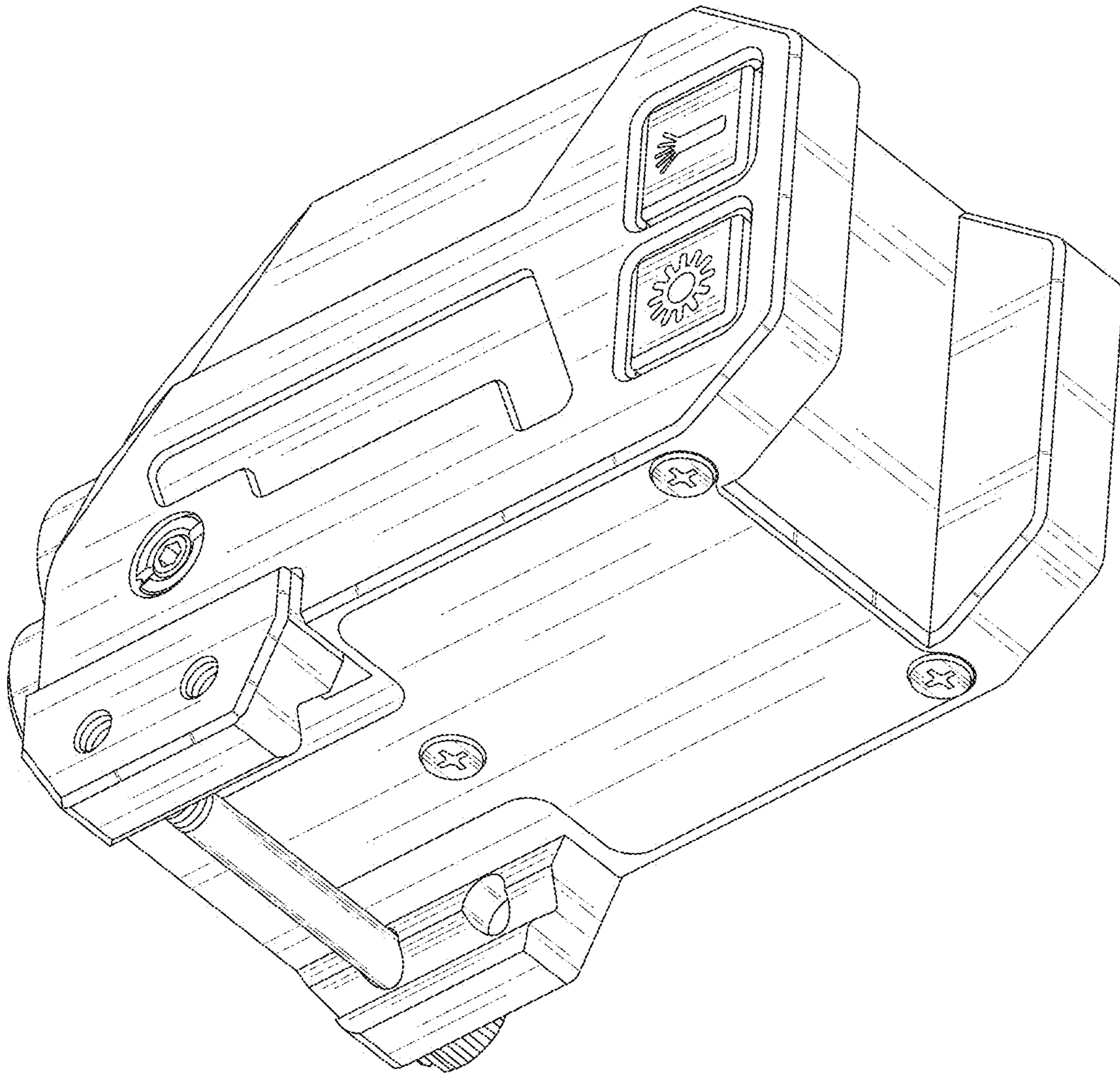


FIG.2

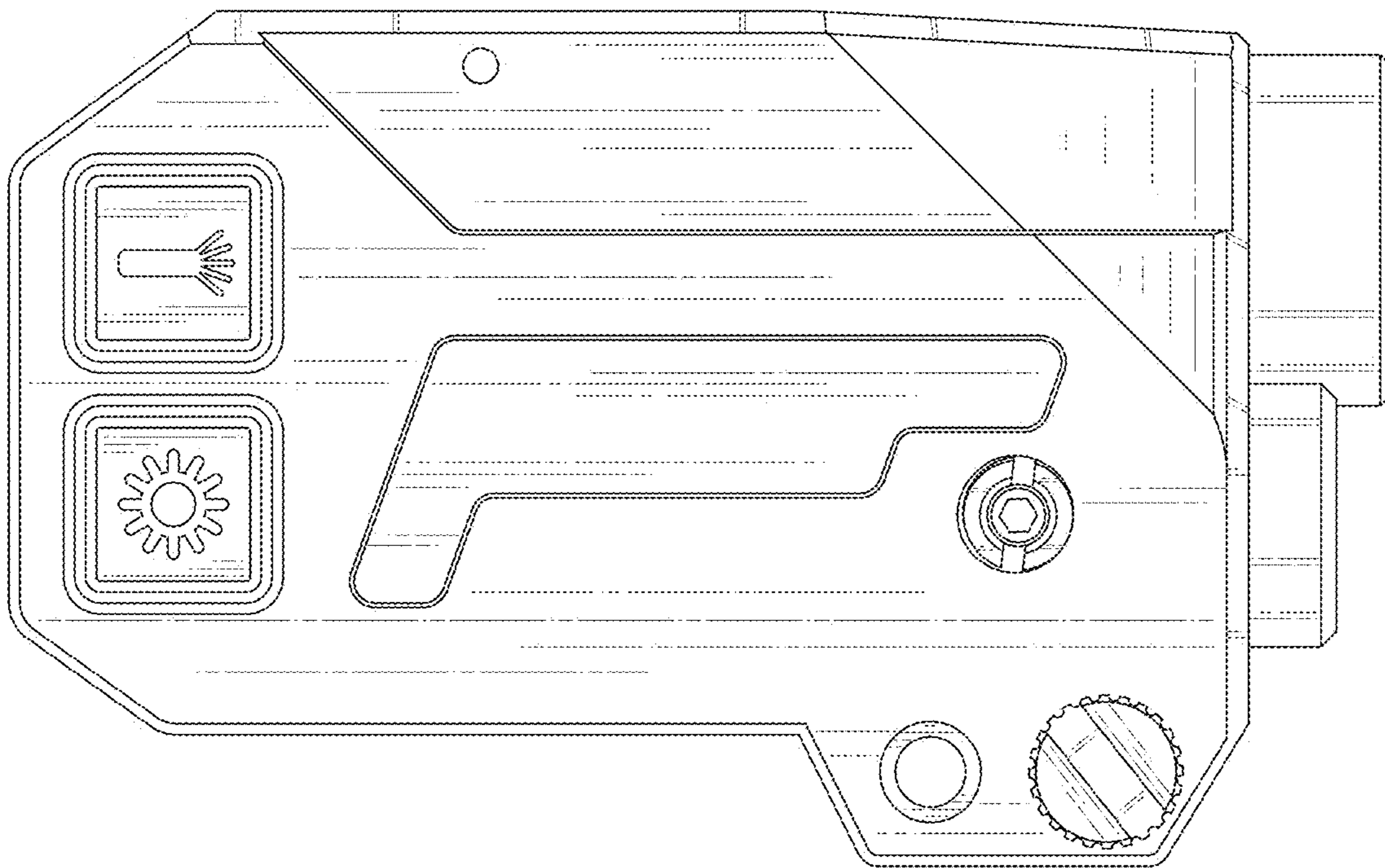


FIG.3

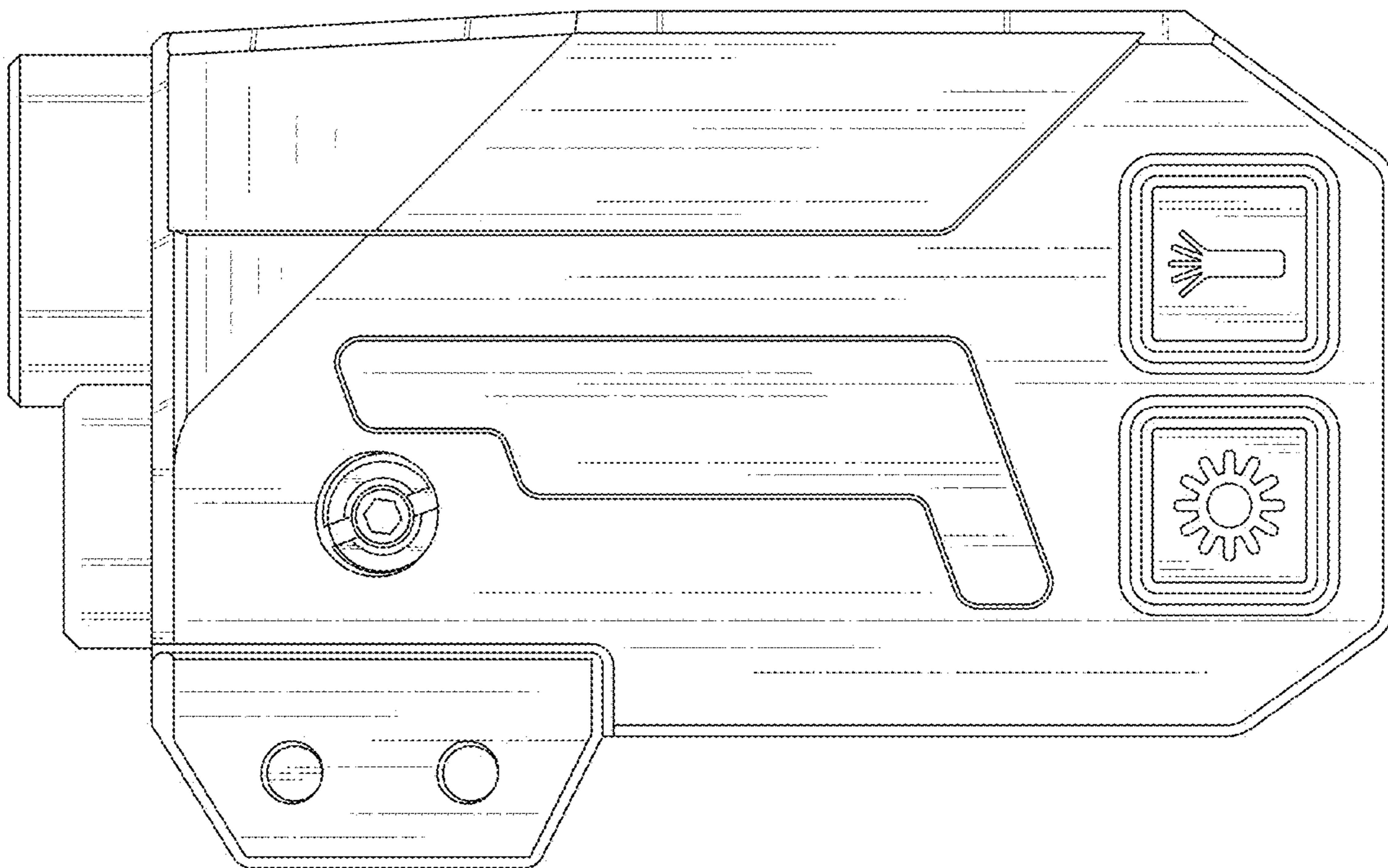


FIG.4

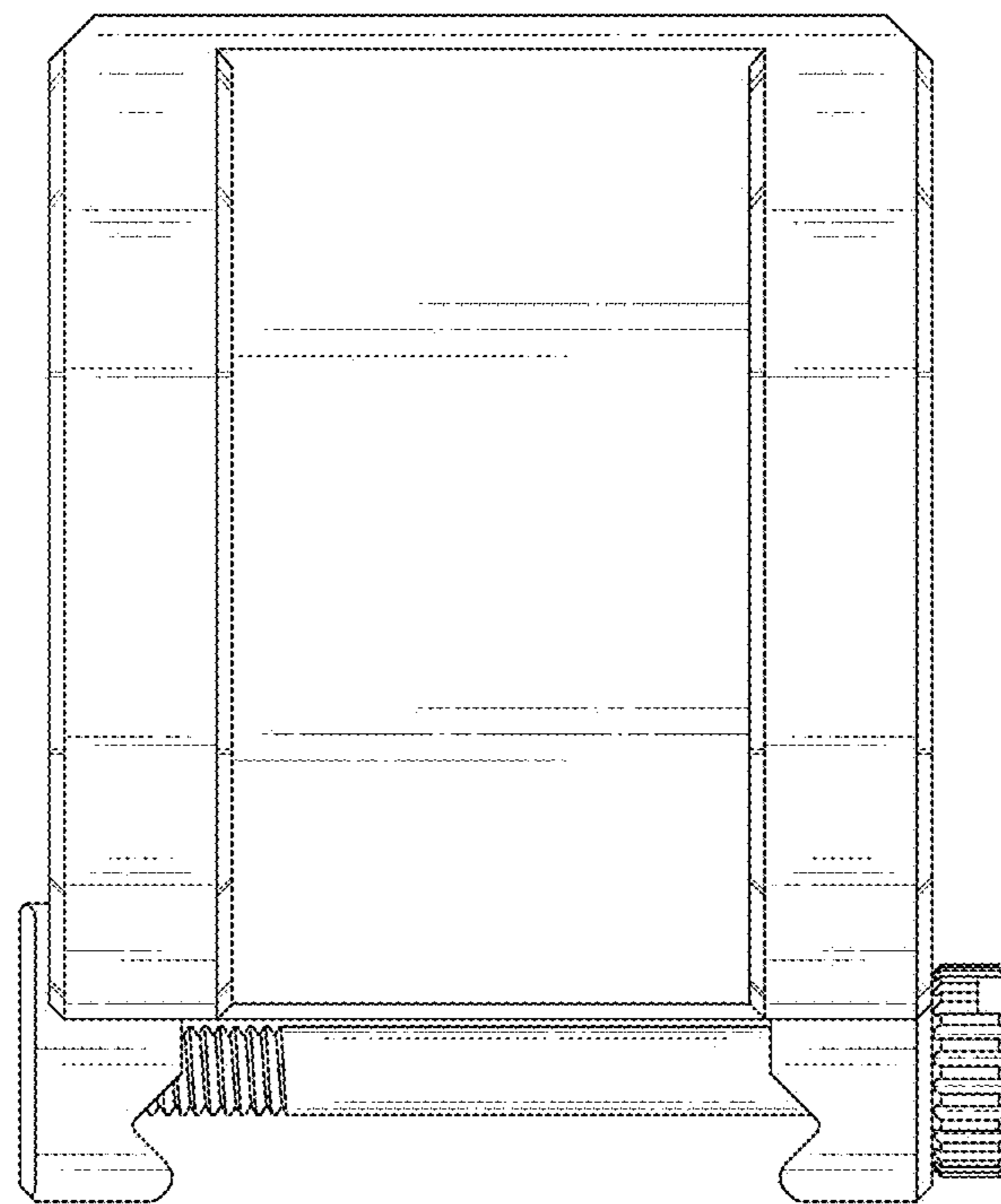


FIG.5

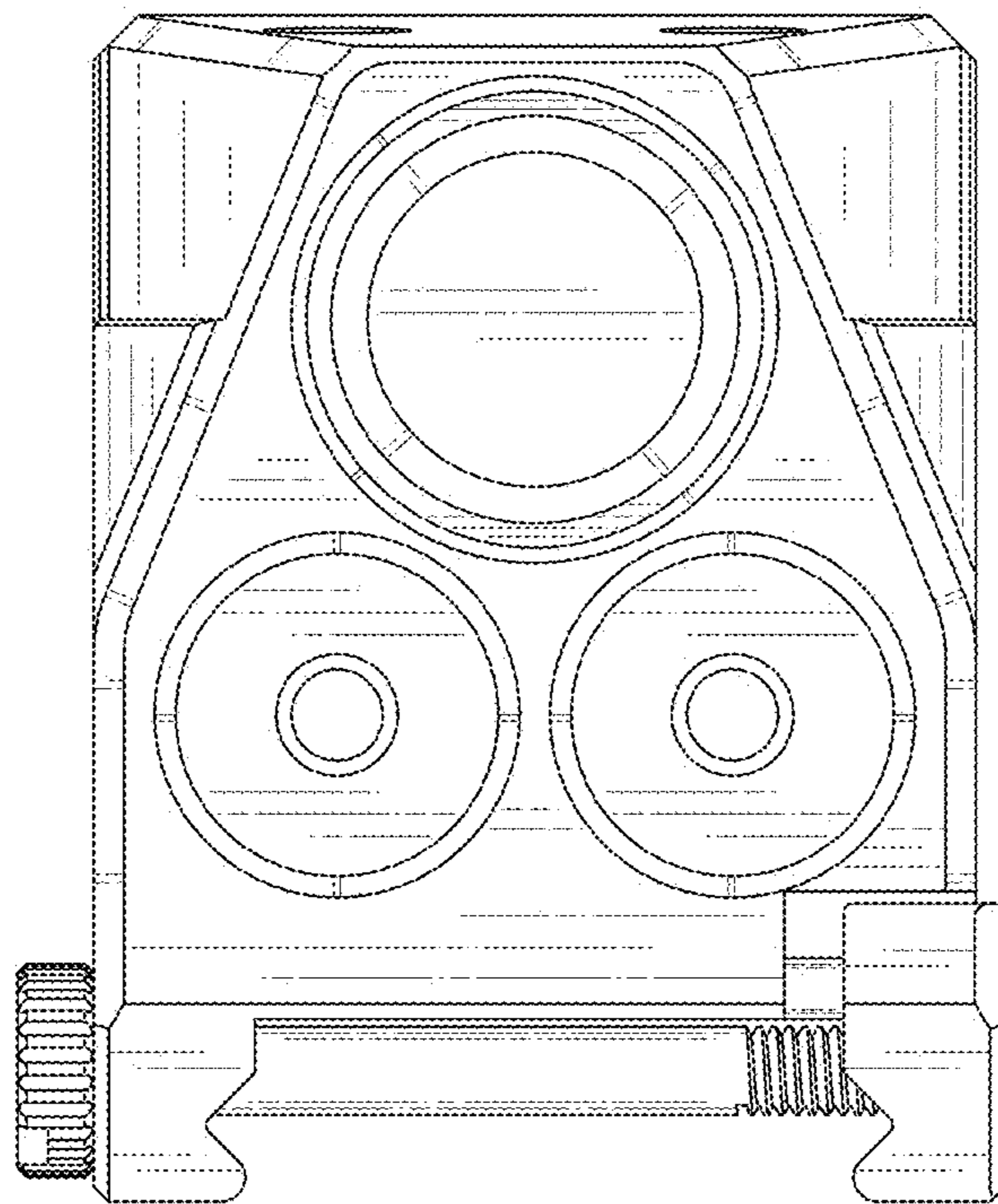


FIG.6



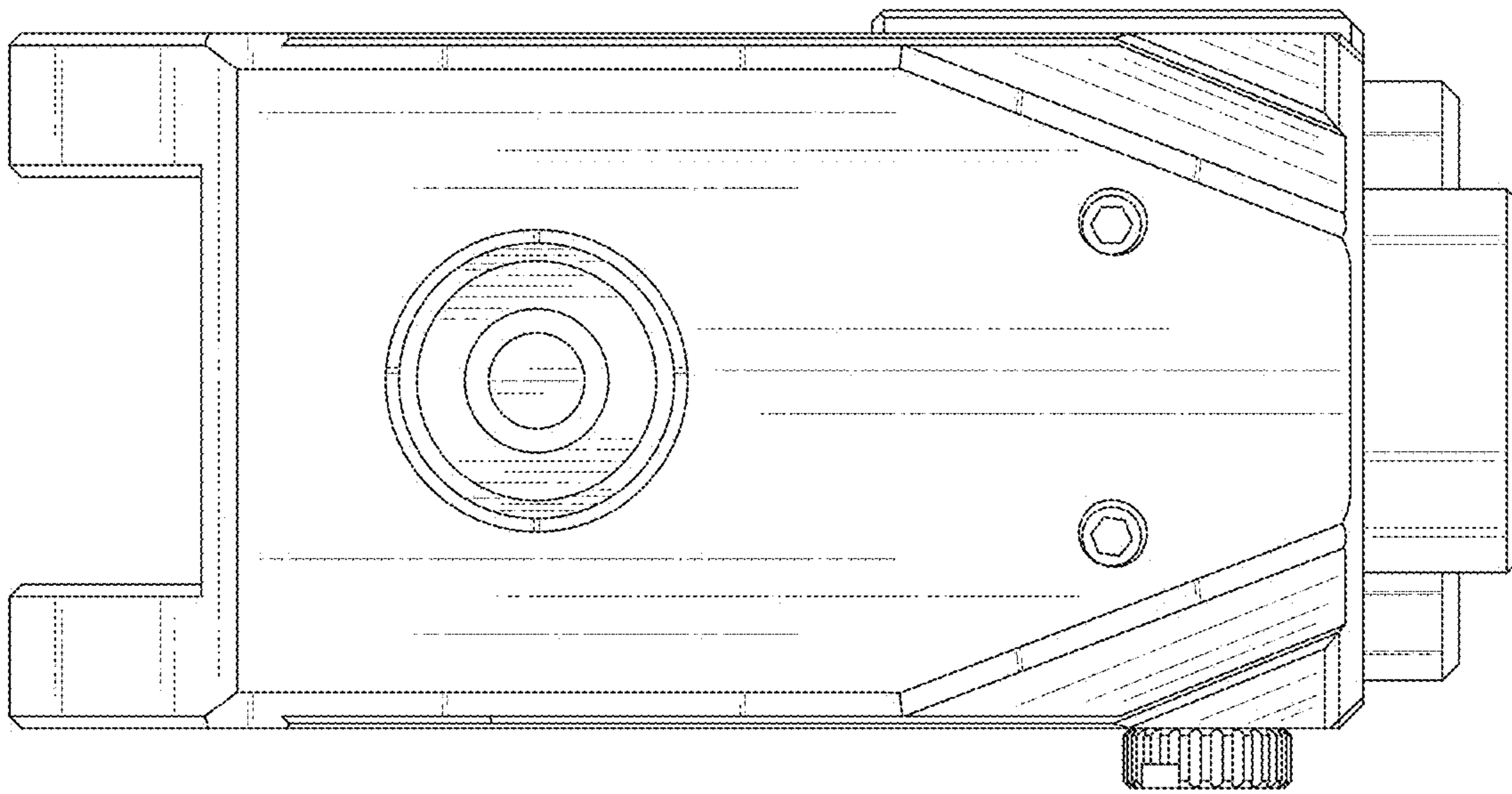


FIG. 7

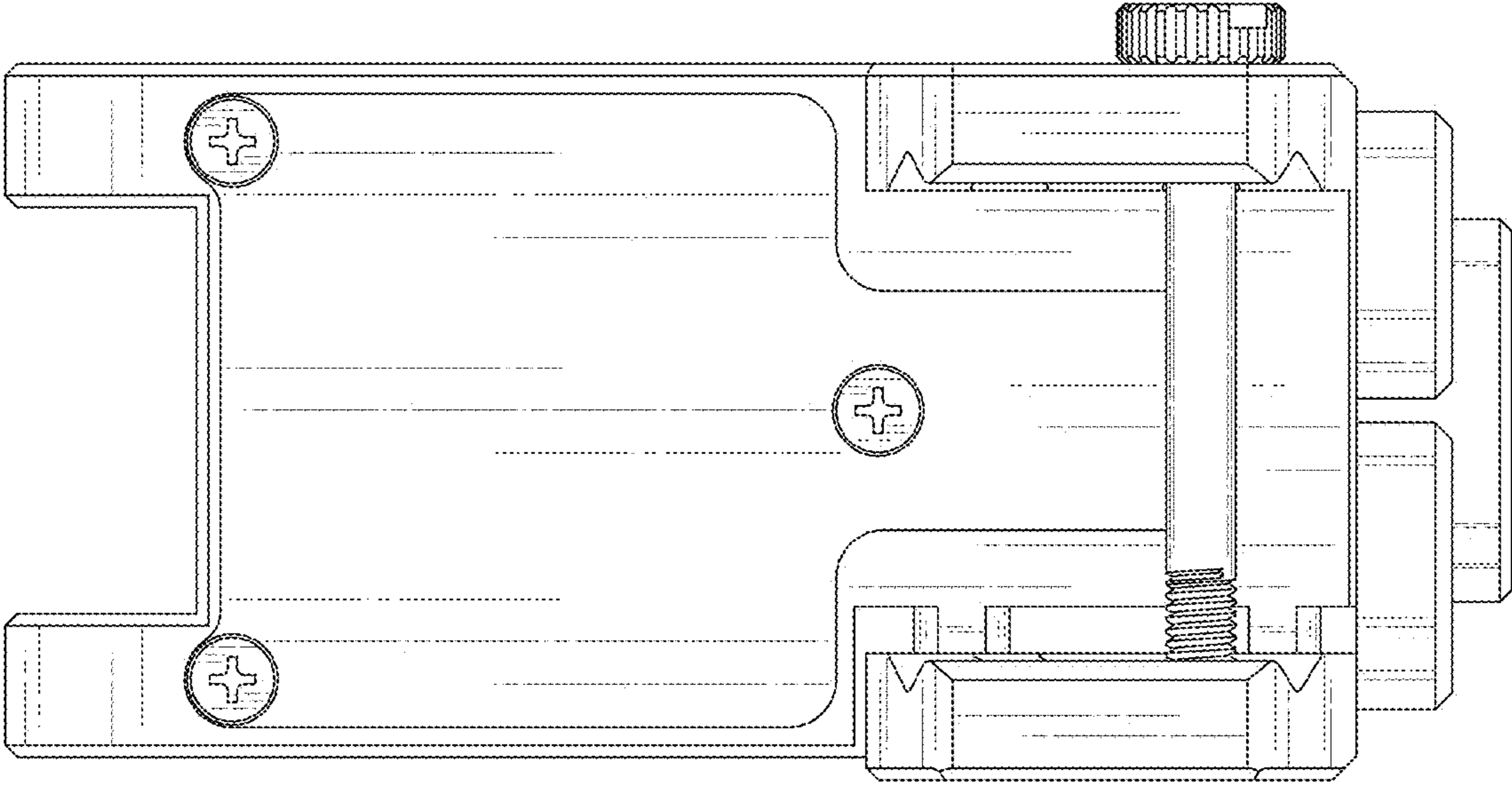


FIG.8