



US00D983924S

(12) **United States Design Patent**
Liu

(10) **Patent No.:** **US D983,924 S**
(45) **Date of Patent:** **** Apr. 18, 2023**

(54) **LASER SIGHT**

(71) Applicant: **Shenzhen Jiawo Industrial Co., Ltd.**,
Guangdong (CN)

(72) Inventor: **Huizhu Liu**, Guangdong (CN)

(73) Assignee: **Shenzhen Jiawo Industrial Co., Ltd.**,
Shenzhen (CN)

(**) Term: **15 Years**

(21) Appl. No.: **29/802,373**

(22) Filed: **Aug. 4, 2021**

(51) **LOC (14) Cl.** **22-01**

(52) **U.S. Cl.**
USPC **D22/109**; D26/60

(58) **Field of Classification Search**
USPC D22/108, 109, 110; D26/60; D16/220;
D10/70
CPC F41G 1/14; F41G 1/38; F41G 1/40; F41G
1/16; F41G 1/02; F41G 1/06
See application file for complete search history.

(56) **References Cited**

U.S. PATENT DOCUMENTS

D400,226 S *	10/1998	Tenne	D16/220
D612,756 S *	3/2010	D'Amelio	D10/70
D675,281 S *	1/2013	Speroni	D22/109
D742,991 S *	11/2015	Kleckner	D22/109
D749,689 S *	2/2016	Cheng	D22/109
D781,983 S *	3/2017	Wells	D22/108
D800,362 S *	10/2017	Galli	D26/60
D812,178 S *	3/2018	Galli	D22/108
D823,971 S *	7/2018	Houde-Walter	F41G 11/003
				D22/108
D826,363 S *	8/2018	Kowalczyk, Jr.	D22/109
D860,374 S *	9/2019	Smith	D22/109
D872,334 S *	1/2020	Fan	D22/108

D872,919 S *	1/2020	Fan	D22/108
D879,907 S *	3/2020	Prestwich	D22/109
D907,267 S *	1/2021	Worman	D26/60
D907,268 S *	1/2021	Worman	D26/60
D907,269 S *	1/2021	Worman	D26/60
D907,270 S *	1/2021	Worman	D26/60
D908,182 S *	1/2021	Galli	D22/108
D957,018 S *	7/2022	Chen	D22/108
2015/0276352 A1 *	10/2015	Chang	F41G 11/003
				42/114
2019/0219365 A1 *	7/2019	Ma	F41G 11/003
2022/0357127 A1 *	11/2022	Sun	G02B 27/20

OTHER PUBLICATIONS

“Votatu H3L-R Strobe Tactical Red Laser Sight, Aluminum Metal Construction Pistol Mount Ultra Low Profile Red Beam Laser Sight with Magnetic USB Charging, Ambidextrous Control” [online], Votatu. [Product first available on Oct. 16, 2021]. Retrieved from the Internet: <<https://www.amazon.com/dp/B09JM8T4GK/>>.*

* cited by examiner

Primary Examiner — Mojtaba Tehrani

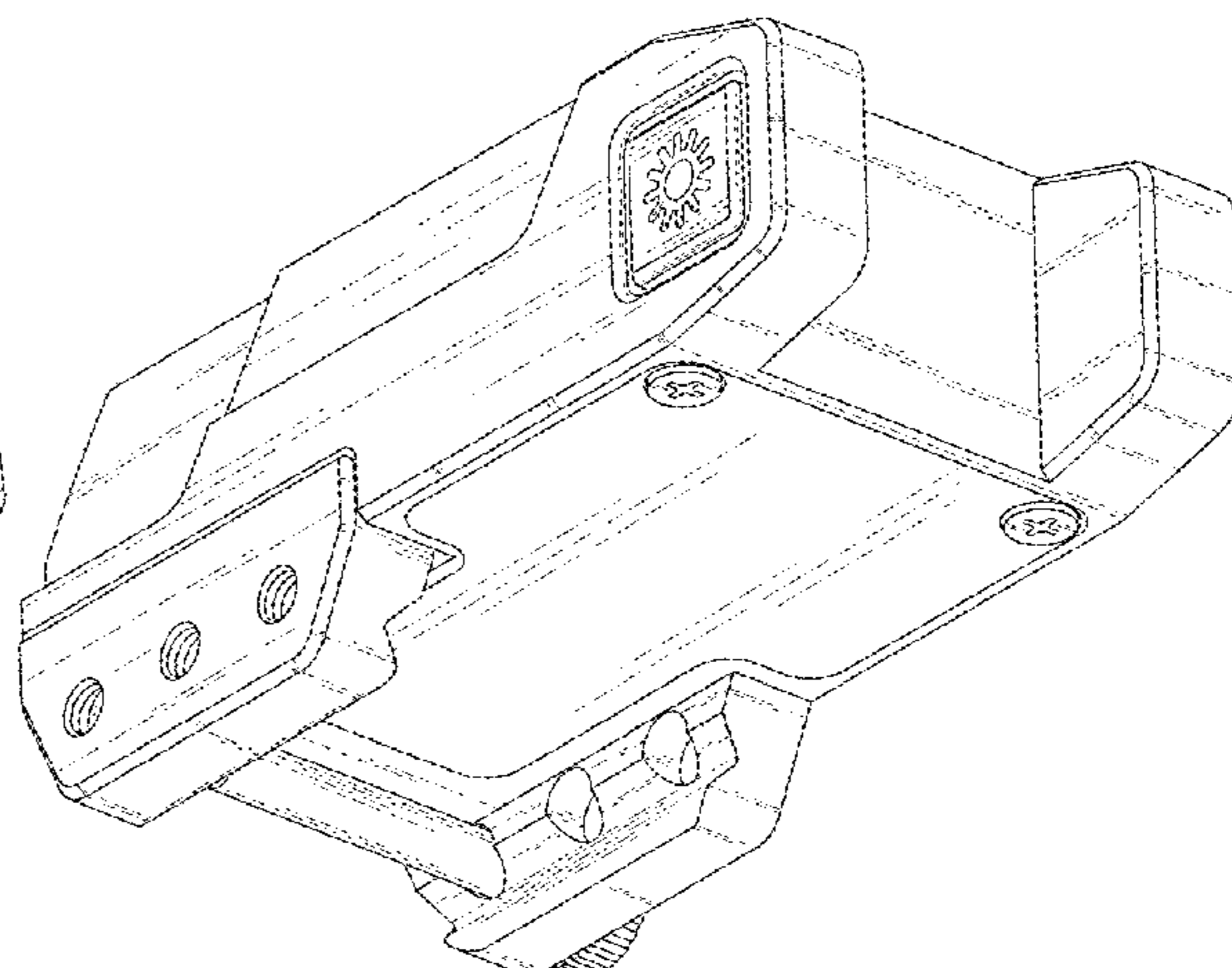
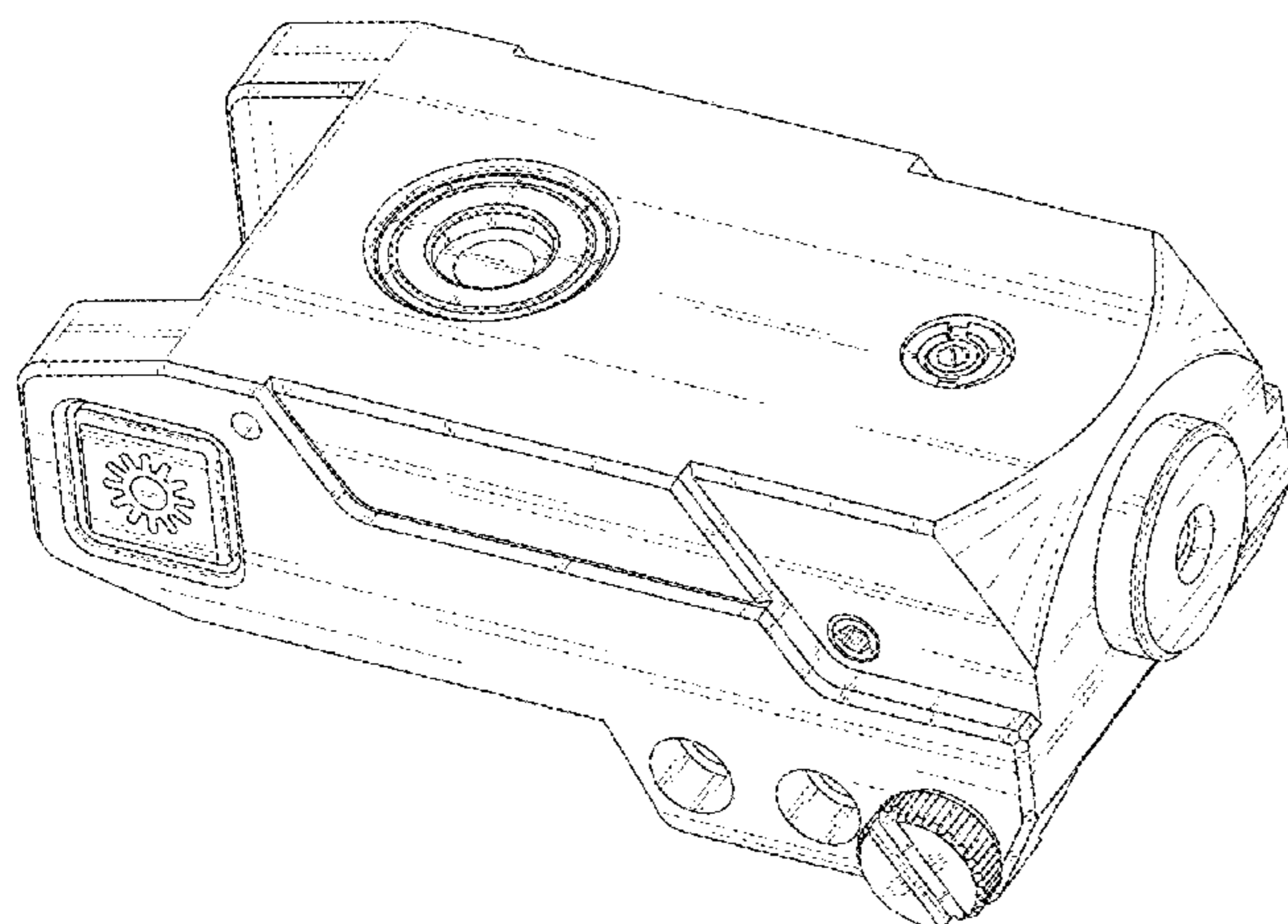
(57) **CLAIM**

The ornamental design for a laser sight, as shown and described.

DESCRIPTION

FIG. 1 is a top perspective view of a laser sight, showing my new design;
FIG. 2 is a bottom perspective view thereof;
FIG. 3 is a front view thereof;
FIG. 4 is a back view thereof;
FIG. 5 is a left side view thereof;
FIG. 6 is a right side view thereof;
FIG. 7 is a top plan view thereof; and,
FIG. 8 is a bottom plan view thereof.

1 Claim, 8 Drawing Sheets



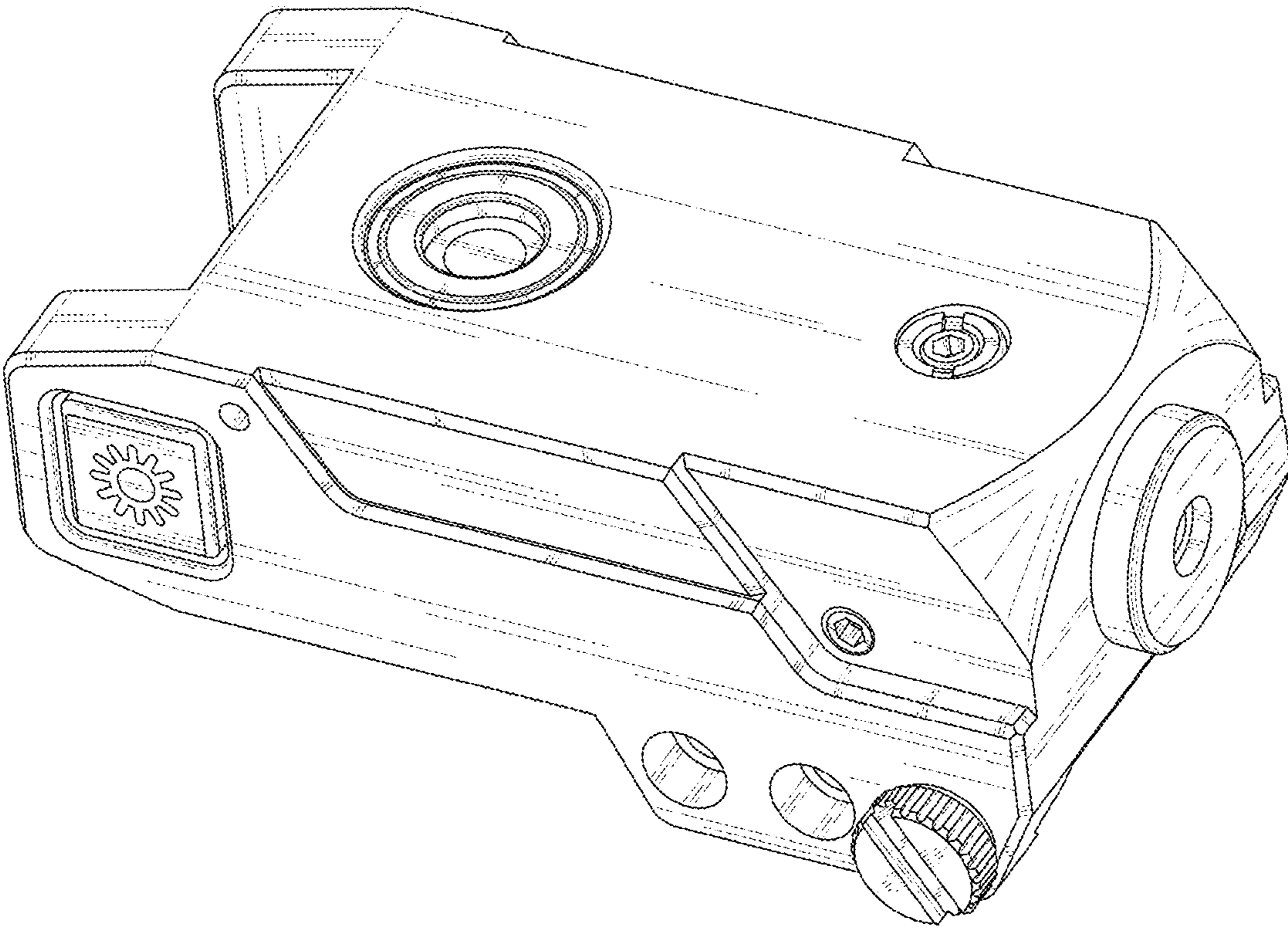


FIG.1

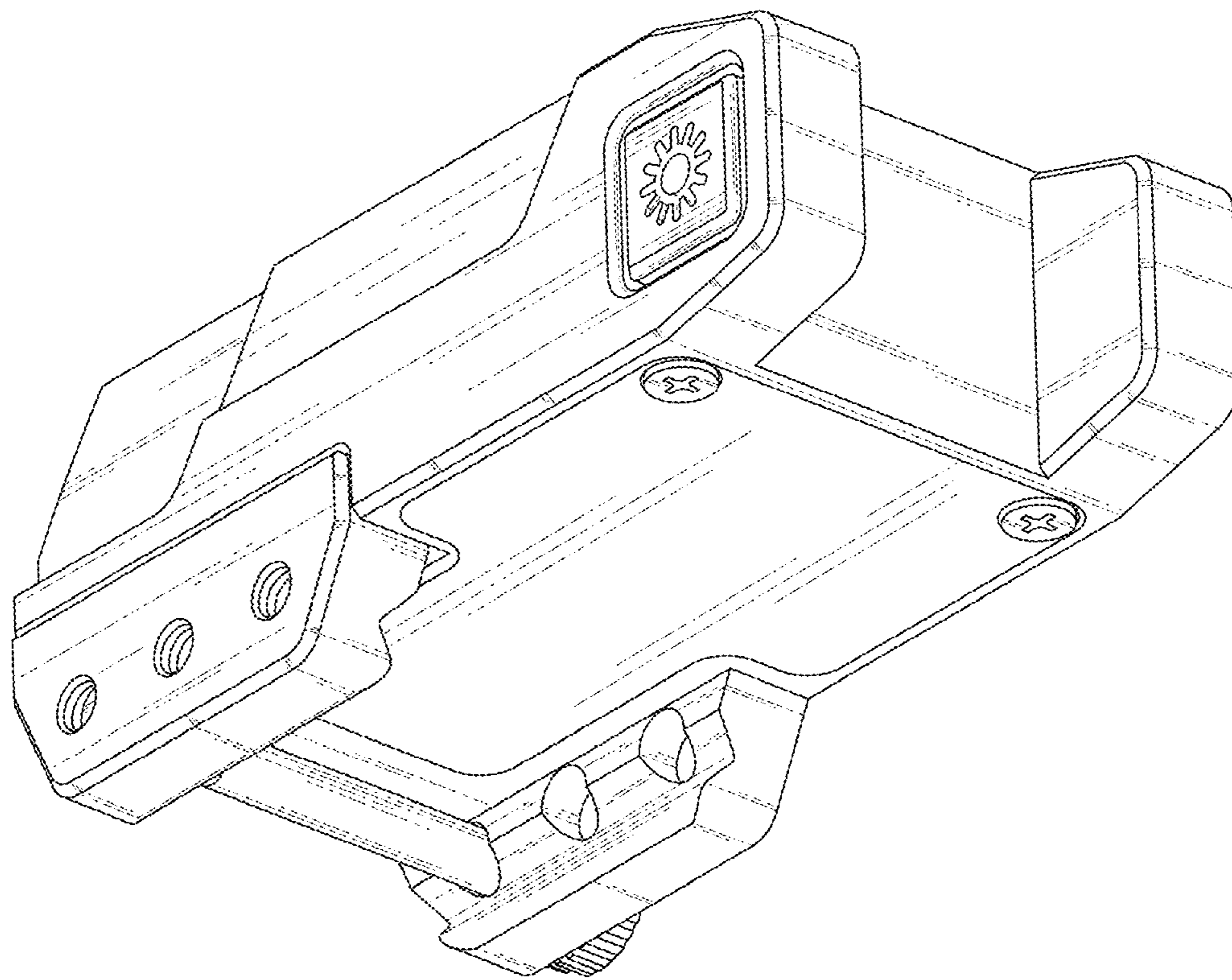


FIG.2

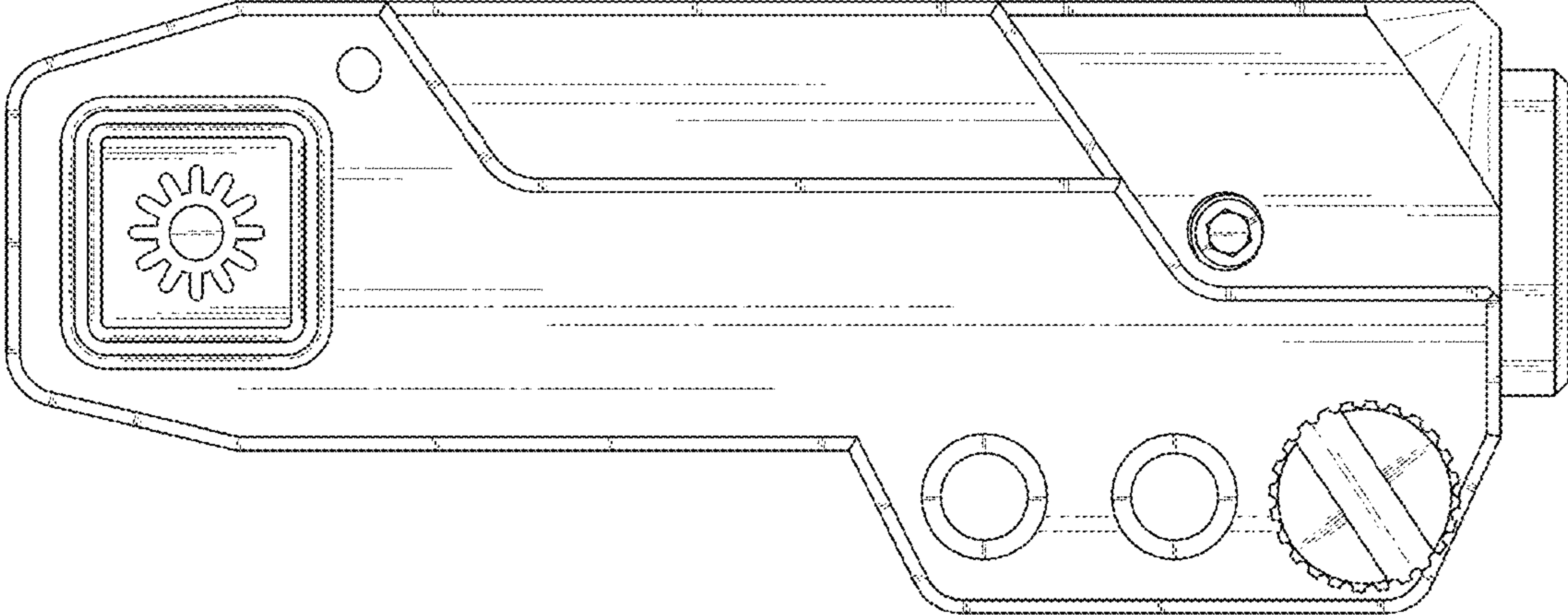


FIG.3

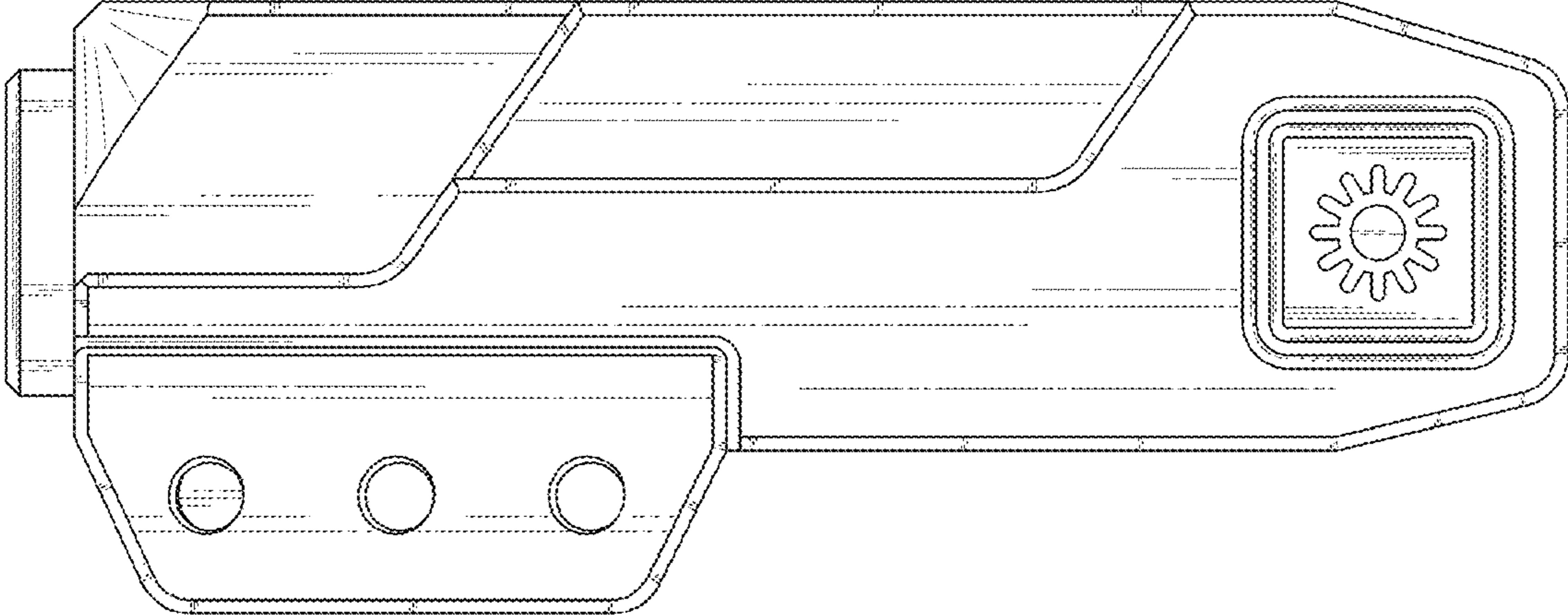


FIG.4

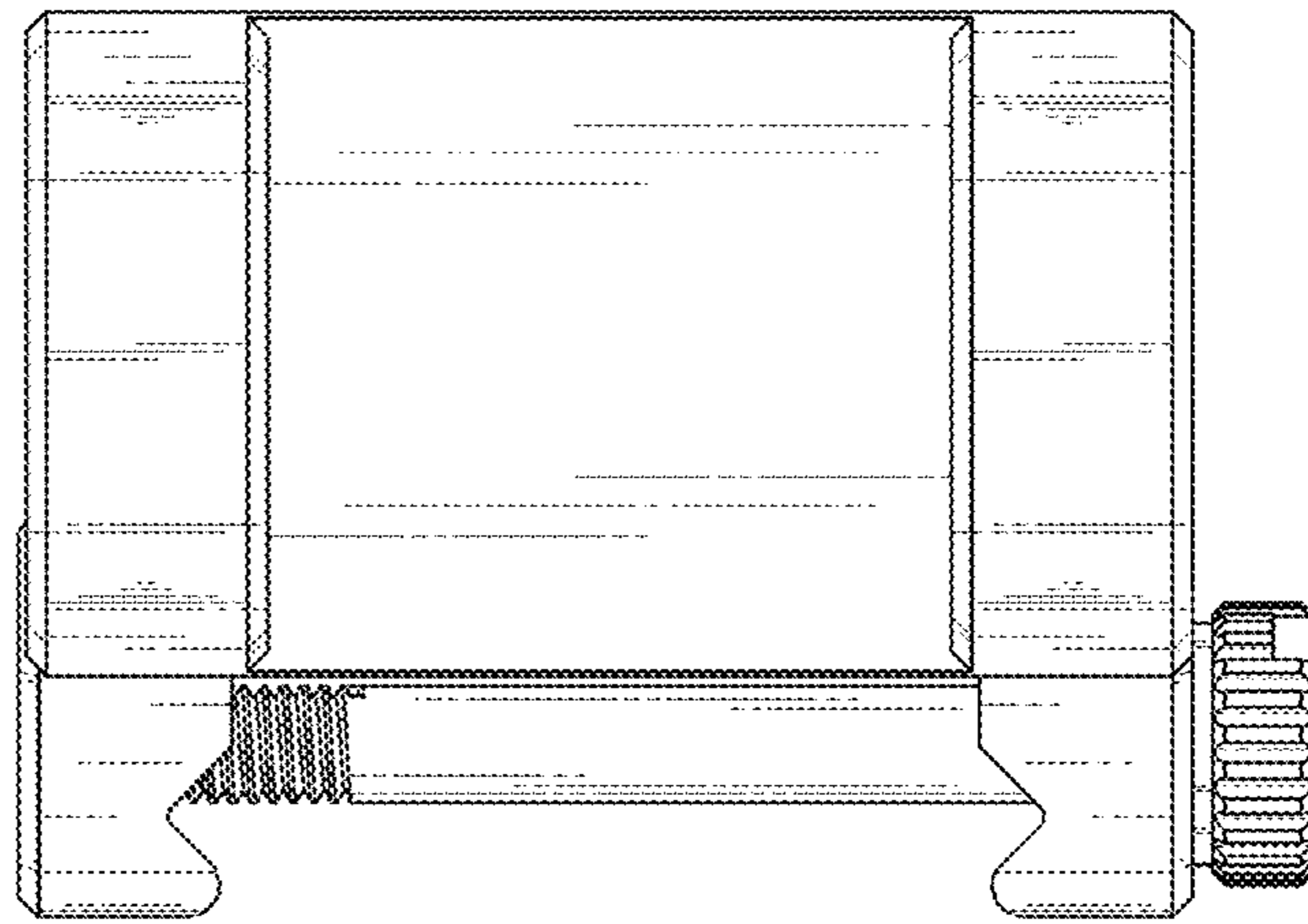


FIG.5

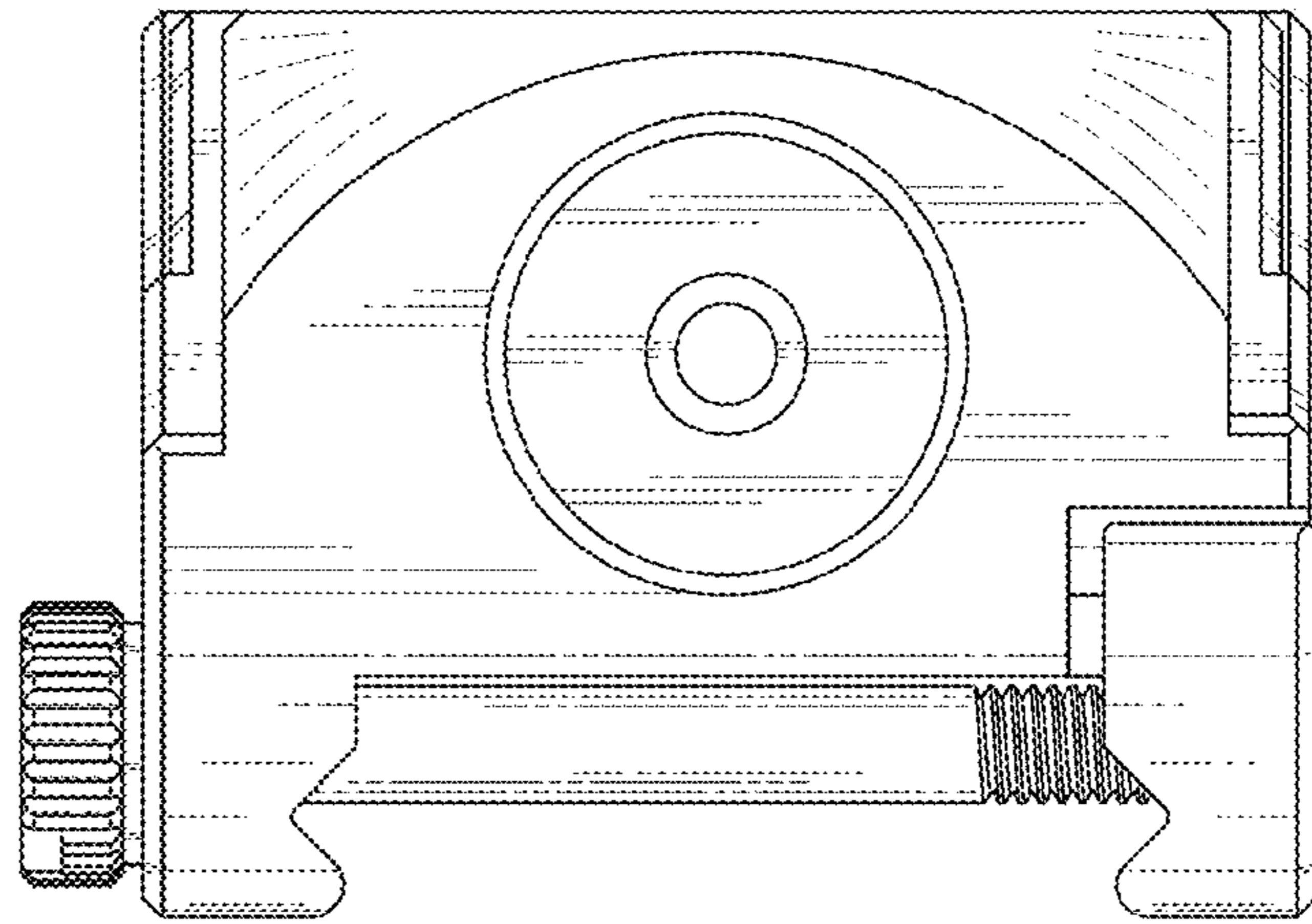


FIG.6

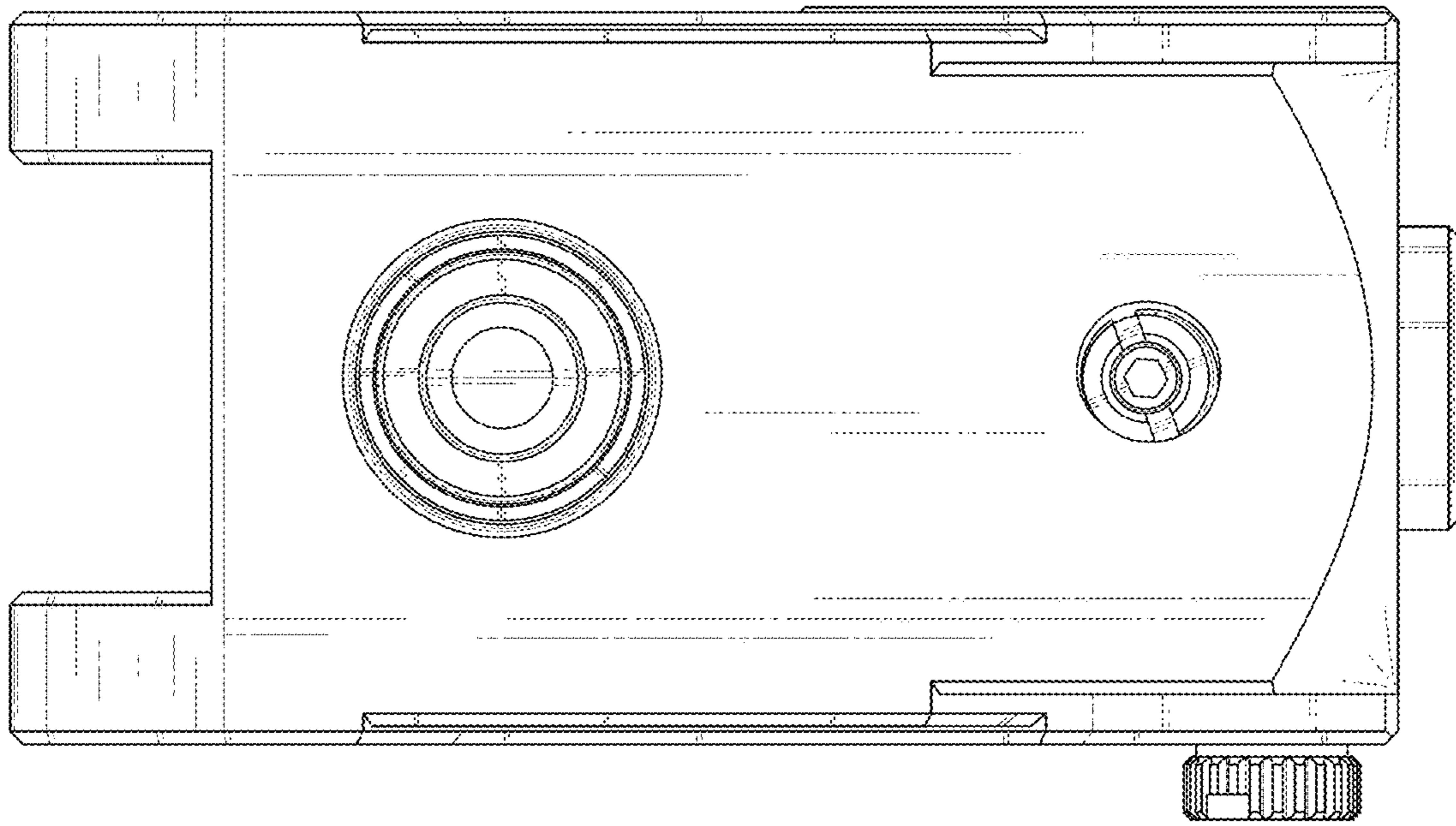


FIG.7

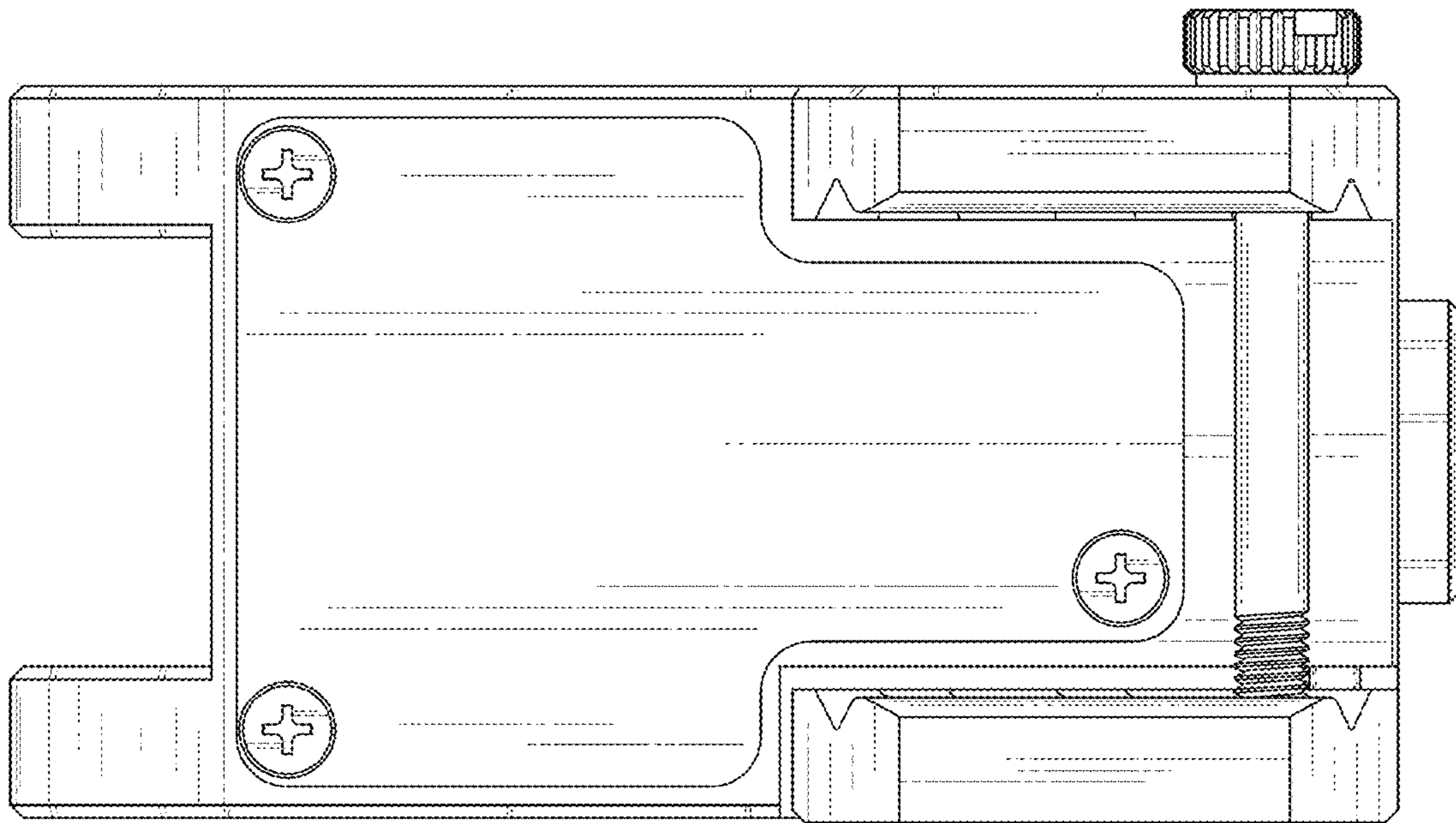


FIG.8