



US00D983914S

(12) **United States Design Patent**  
**Engler et al.**

(10) **Patent No.:** **US D983,914 S**

(45) **Date of Patent:** **\*\* Apr. 18, 2023**

(54) **BALL TRAY**

A63B 2024/0046; A63B 69/3661; A63B 69/0097; A63F 7/386

(71) Applicant: **P&P IMPORTS LLC**, Irvine, CA (US)

See application file for complete search history.

(72) Inventors: **Peter Engler**, Newport Beach, CA (US); **Peter Tanoury**, Newport Beach, CA (US); **Willis Santamaria**, Diamond Bar, CA (US)

(56) **References Cited**

U.S. PATENT DOCUMENTS

D415,235 S	*	10/1999	DeOliviera	.....	D21/792
D420,084 S	*	2/2000	Hooper	.....	D21/792
D731,610 S	*	6/2015	Marcy	.....	D21/792
D965,719 S	*	10/2022	Chen	.....	D21/792

(\*\*) Term: **15 Years**

\* cited by examiner

(21) Appl. No.: **29/751,517**

*Primary Examiner* — Susan Moon Lee

(22) Filed: **Sep. 22, 2020**

(51) **LOC (14) Cl.** ..... **21-02**

(52) **U.S. Cl.**

USPC ..... **D21/791**; D21/792; D21/789

(58) **Field of Classification Search**

USPC ..... D21/303, 301, 302, 304, 300, 334, 336, D21/341, 342, 343, 319, 789, 790, 791, D21/792, 397, 312, 322; 273/398-404, 273/343, 317, 336, 348, 407, 408, 410, 273/108, 287, 331, 236, 118 R, 123 R, 273/127 R, 127 B, 245, 120 R, 396, 395; 473/180, 179, 182, 185, 187, 569, 592, 473/19, 173-177, 162, 160, 434, 454; D3/254

CPC ..... A63B 63/00; A63B 63/003; A63B 63/08; A63B 67/00; A63B 67/02; A63B 67/06; A63B 67/066; A63B 2063/002; A63B 2063/001; A63B 2067/065; A63B 2067/063; A63B 2067/061; A63B 2208/12; A63B 71/00; A63B 2210/50;

(57) **CLAIM**

The ornamental design for a ball tray, as shown and described.

**DESCRIPTION**

FIG. 1 is a perspective view of a ball tray showing the claimed design.

FIG. 2 is a top view of the ball tray shown in FIG. 1.

FIG. 3 is a bottom view of the ball tray shown in FIG. 1.

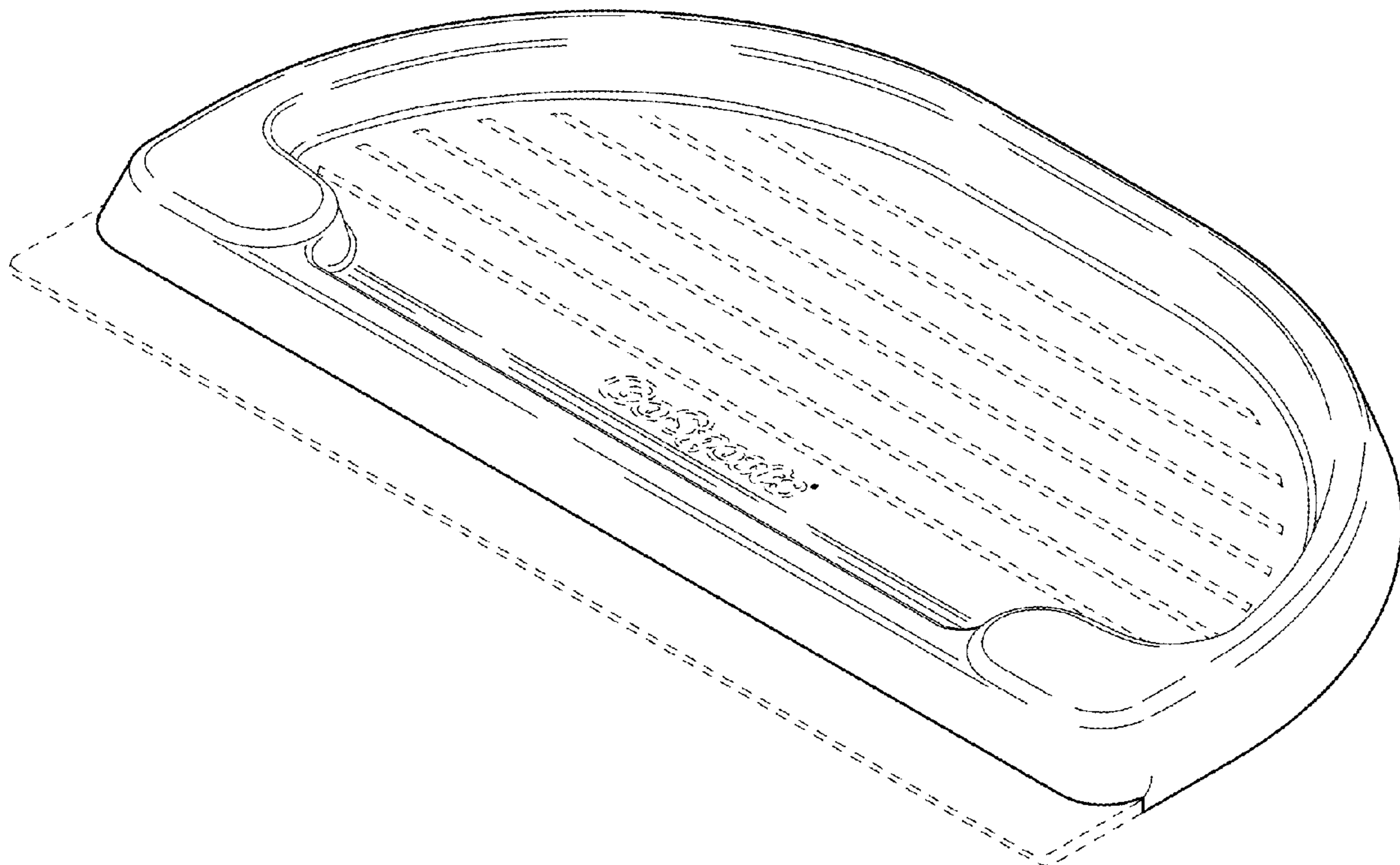
FIG. 4 is a left-side view of the ball tray shown in FIG. 1, the right-side view being a mirror image thereof.

FIG. 5 is a back view of the ball tray shown in FIG. 1; and,

FIG. 6 is a front view of the ball tray shown in FIG. 1.

Broken lines in the figures show portions of the ball tray that form no part of the claimed design.

**1 Claim, 6 Drawing Sheets**



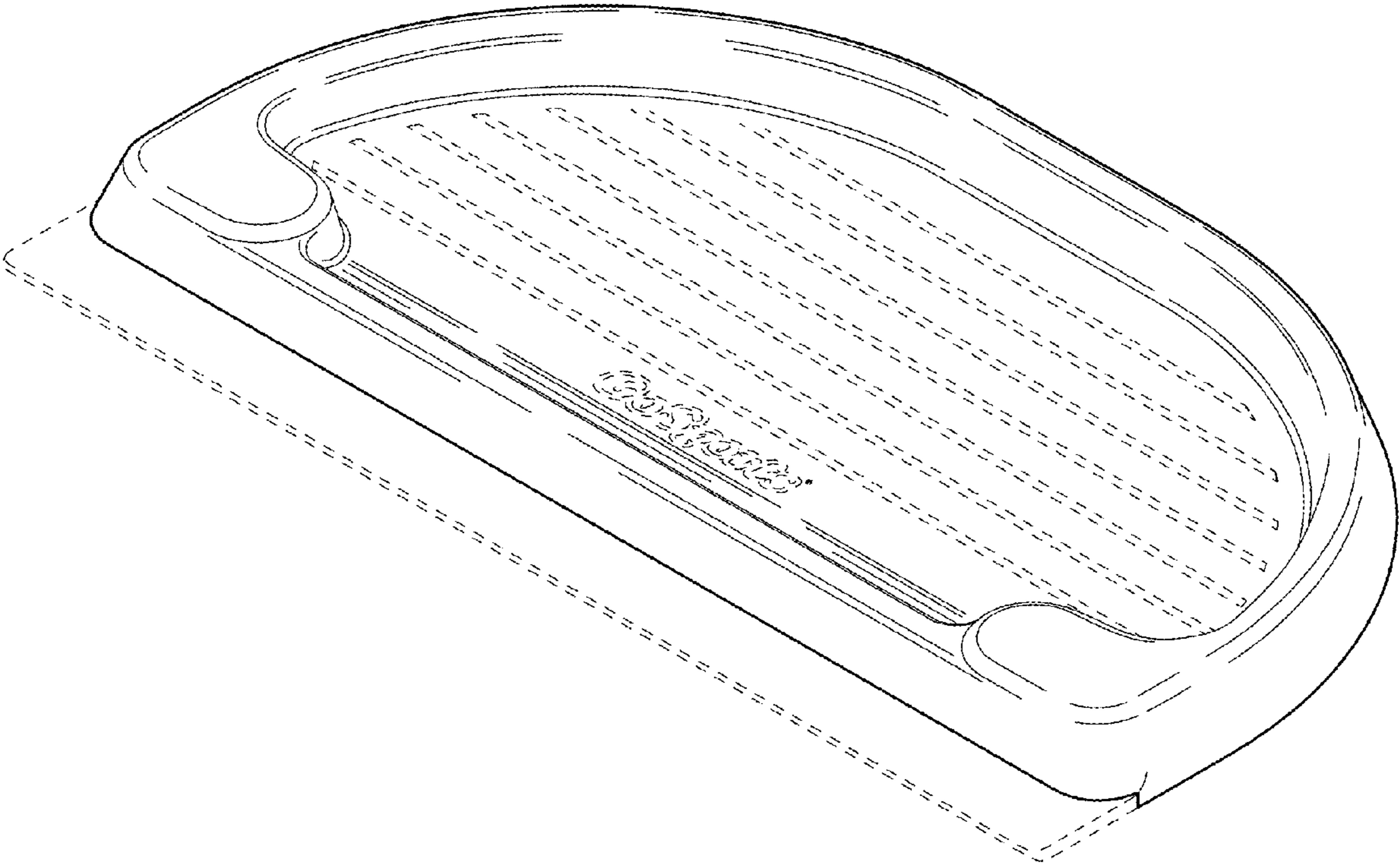


FIG. 1

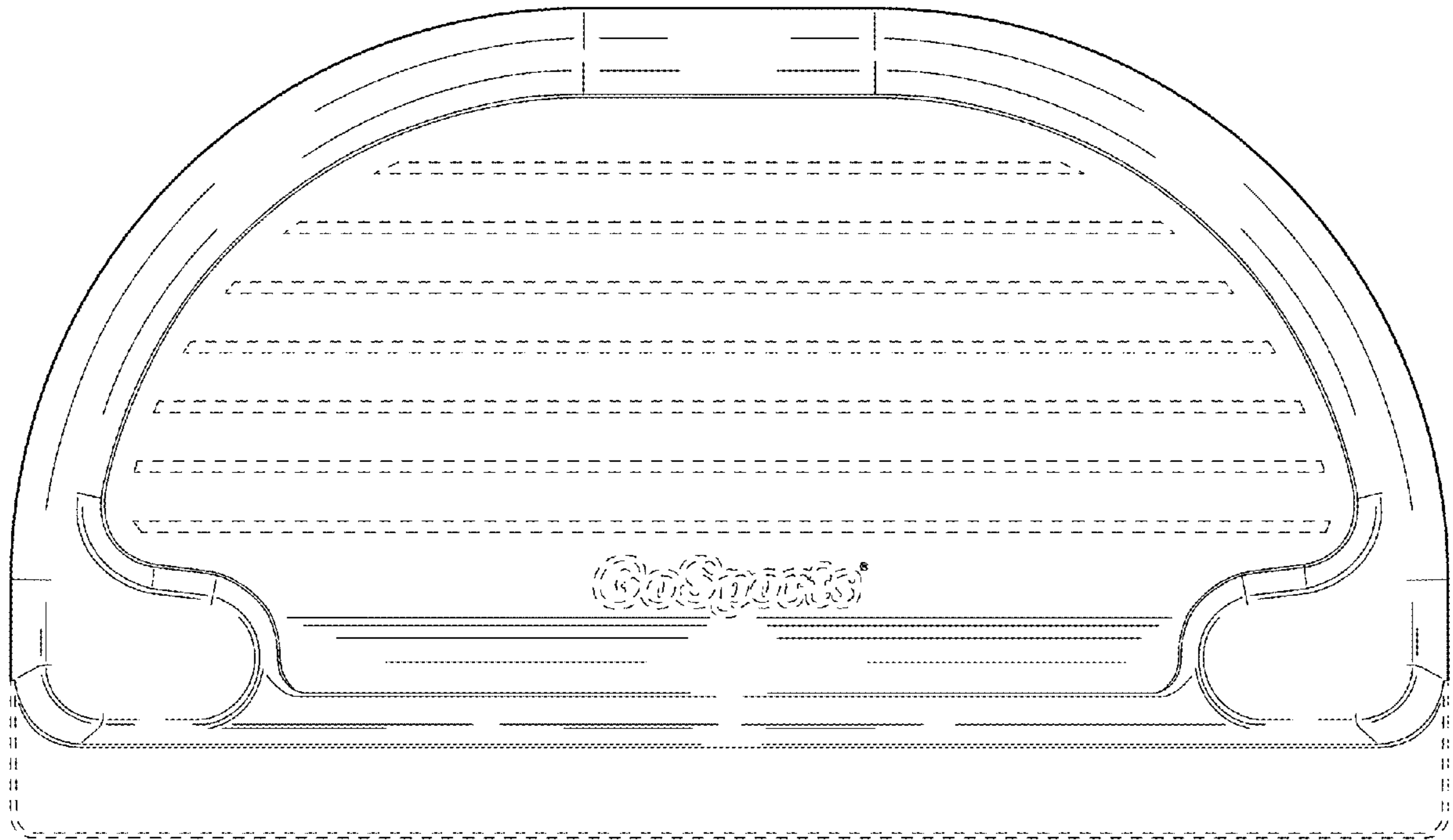


FIG. 2

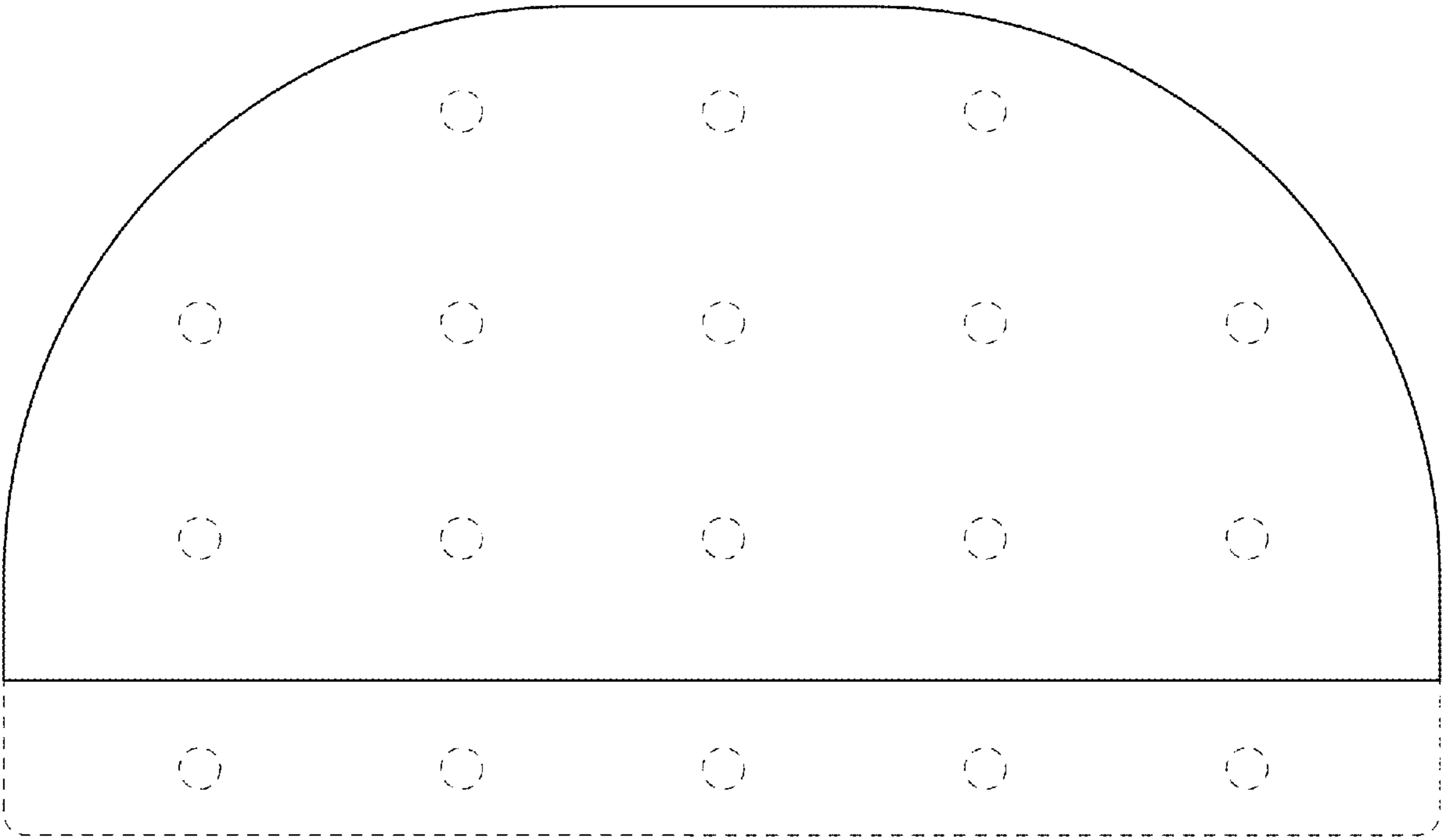


FIG. 3

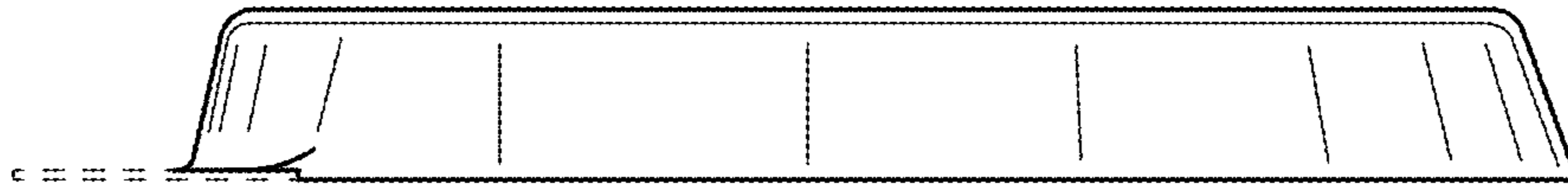


FIG. 4



FIG. 5

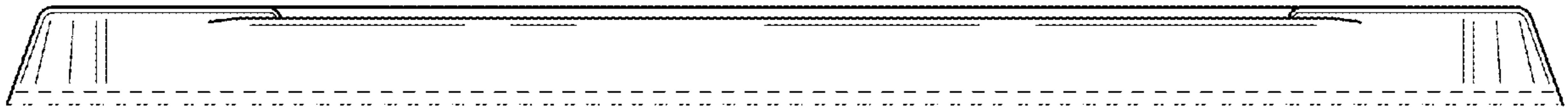


FIG. 6