



US00D983909S

(12) **United States Design Patent** (10) **Patent No.:** **US D983,909 S**
Kim (45) **Date of Patent:** **** Apr. 18, 2023**

(54) **GOLF CLUB HEAD**
(71) Applicant: **Callaway Golf Company**, Carlsbad, CA (US)
(72) Inventor: **Wee Joung Kim**, Vista, CA (US)
(73) Assignee: **Topgolf Callaway Brands Corp.**, Carlsbad, CA (US)

D803,960 S * 11/2017 Hebreo D21/749
D809,082 S * 1/2018 Kim D21/759
D812,169 S * 3/2018 Kim D21/759
D815,705 S * 4/2018 Dolezel D21/749
D875,860 S * 2/2020 Kim D21/759
11,052,295 B2 * 7/2021 Seagram A63B 53/047
D942,569 S * 2/2022 Kim D21/747
D942,570 S * 2/2022 Kim D21/747
2012/0289360 A1 * 11/2012 Breier A63B 53/047
473/335

(**) Term: **15 Years**

OTHER PUBLICATIONS

(21) Appl. No.: **29/804,853**

Golf irons google search; google.com; Feb. 16, 2023.*
Callaway irons google search; google.com; Feb. 16, 2023.*
callawaygolf.com; Feb. 16, 2023.*

(22) Filed: **Aug. 23, 2021**

(51) **LOC (14) Cl.** **21-02**

* cited by examiner

(52) **U.S. Cl.**
USPC **D21/759**

Primary Examiner — Mitchell I. Siegel
(74) *Attorney, Agent, or Firm* — Michael A. Catania;
Rebecca Hanovice; Sonia Lari

(58) **Field of Classification Search**
USPC D21/747-751, 759
CPC A63B 53/00; A63B 53/02; A63B 53/04;
A63B 53/047; A63B 53/0475; A63B
2053/0479; A63B 2053/0483; A63B
2053/0445; A63B 60/00; A63B 60/46
See application file for complete search history.

(57) **CLAIM**

The ornamental design for a golf club head, as shown and described.

(56) **References Cited**

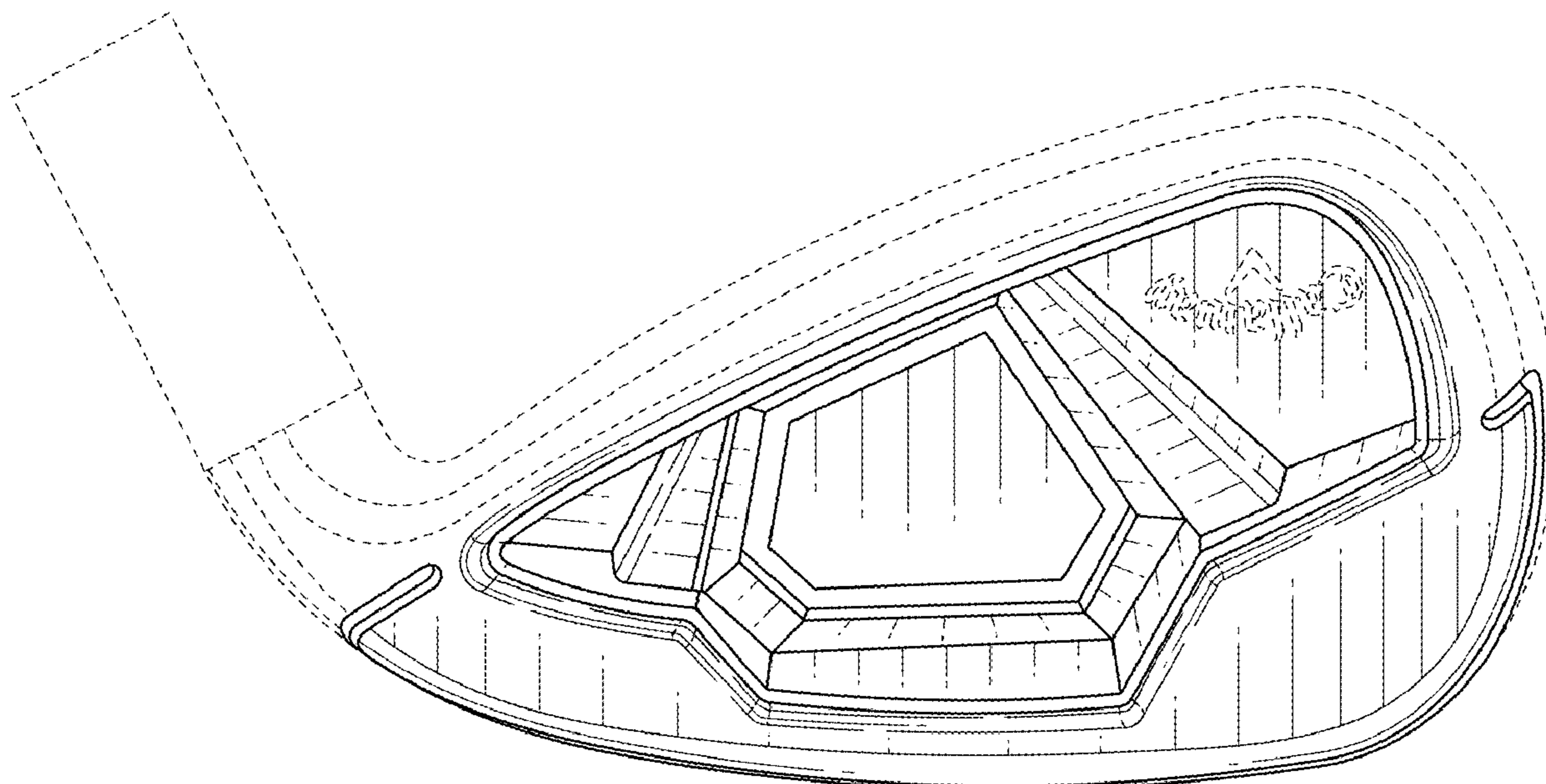
DESCRIPTION

U.S. PATENT DOCUMENTS

D327,520 S * 6/1992 Antonious D21/749
D581,000 S * 11/2008 Nicolette D21/749
D669,947 S * 10/2012 Kim D21/747
8,657,700 B2 * 2/2014 Nicolette A63B 53/047
D21/747
D710,961 S * 8/2014 Foster D21/759
D730,466 S * 5/2015 Seagram D21/759
D736,875 S * 8/2015 Llewellyn D21/759
D763,986 S * 8/2016 Cardani D21/759
D763,999 S * 8/2016 Tang D21/759
D764,612 S * 8/2016 Tang D21/759

FIG. 1 is a rear perspective view of the golf club head claimed herein;
FIG. 2 is a front elevational view thereof;
FIG. 3 is a rear elevational view thereof;
FIG. 4 is a left side elevational view thereof;
FIG. 5 is a right side elevational view thereof;
FIG. 6 is a top plan view thereof; and,
FIG. 7 is a bottom plan view thereof.
The broken lines shown in the drawings form no part of the claimed design.

1 Claim, 4 Drawing Sheets



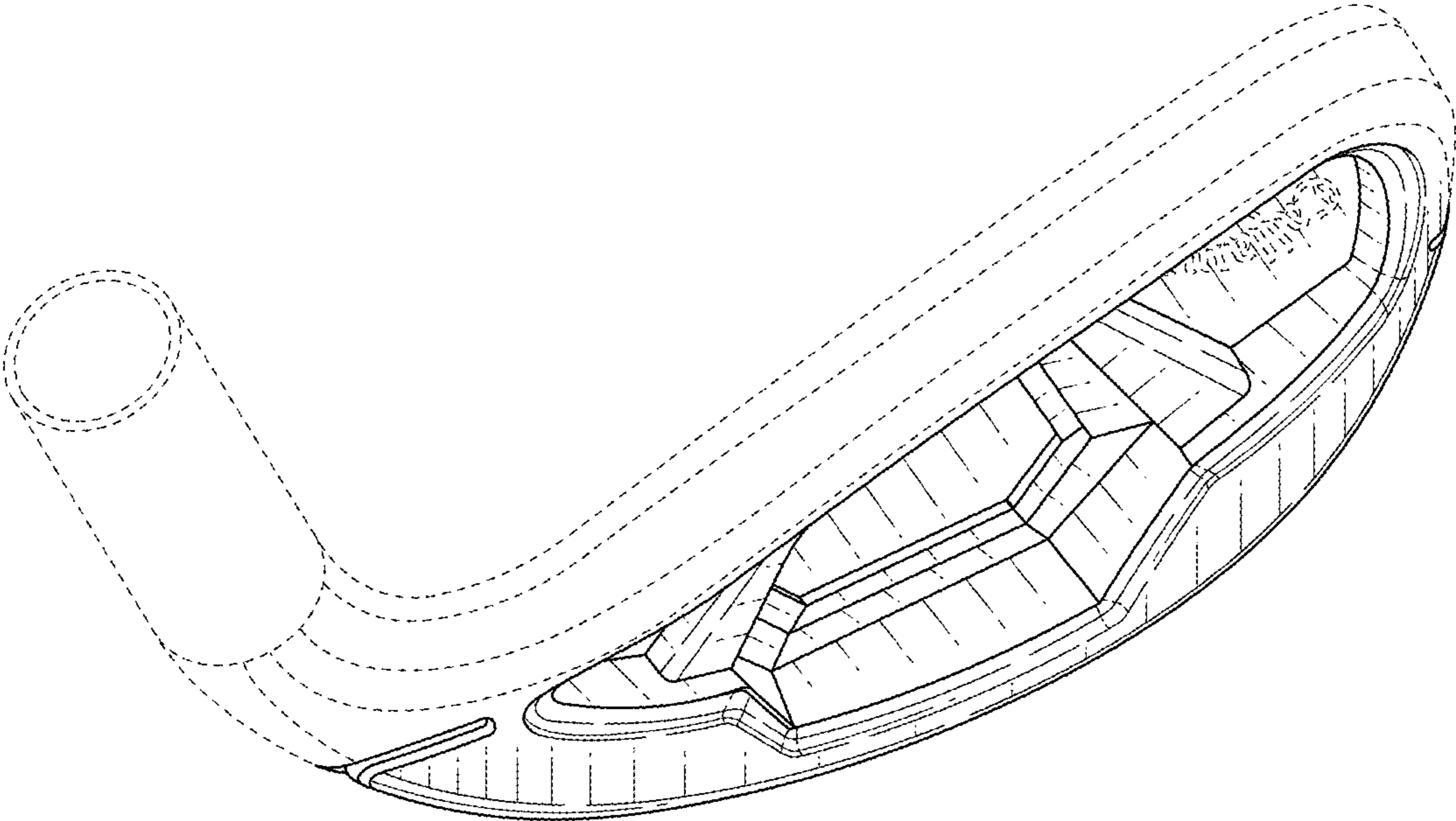


FIG. 1

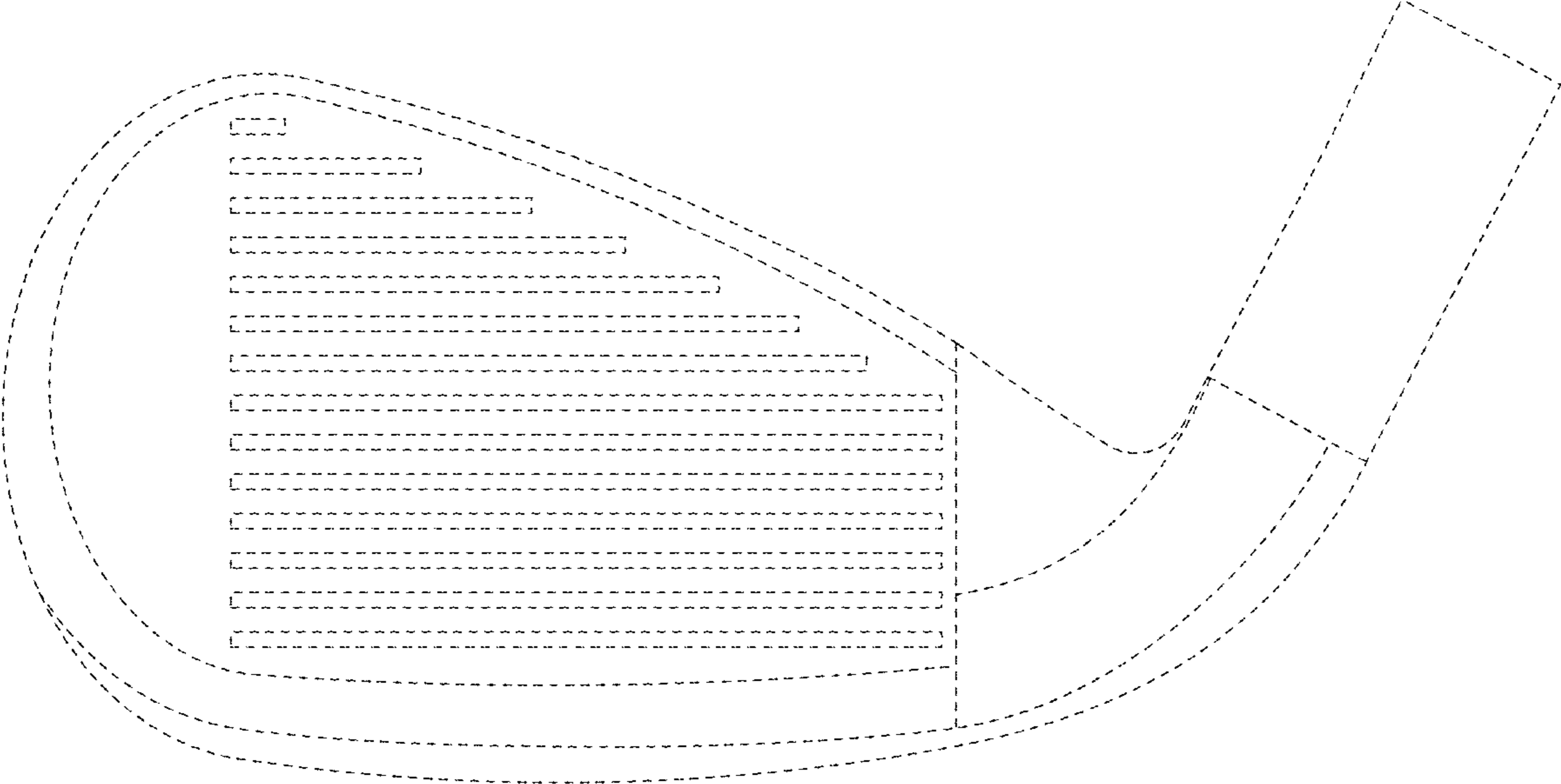


FIG. 2

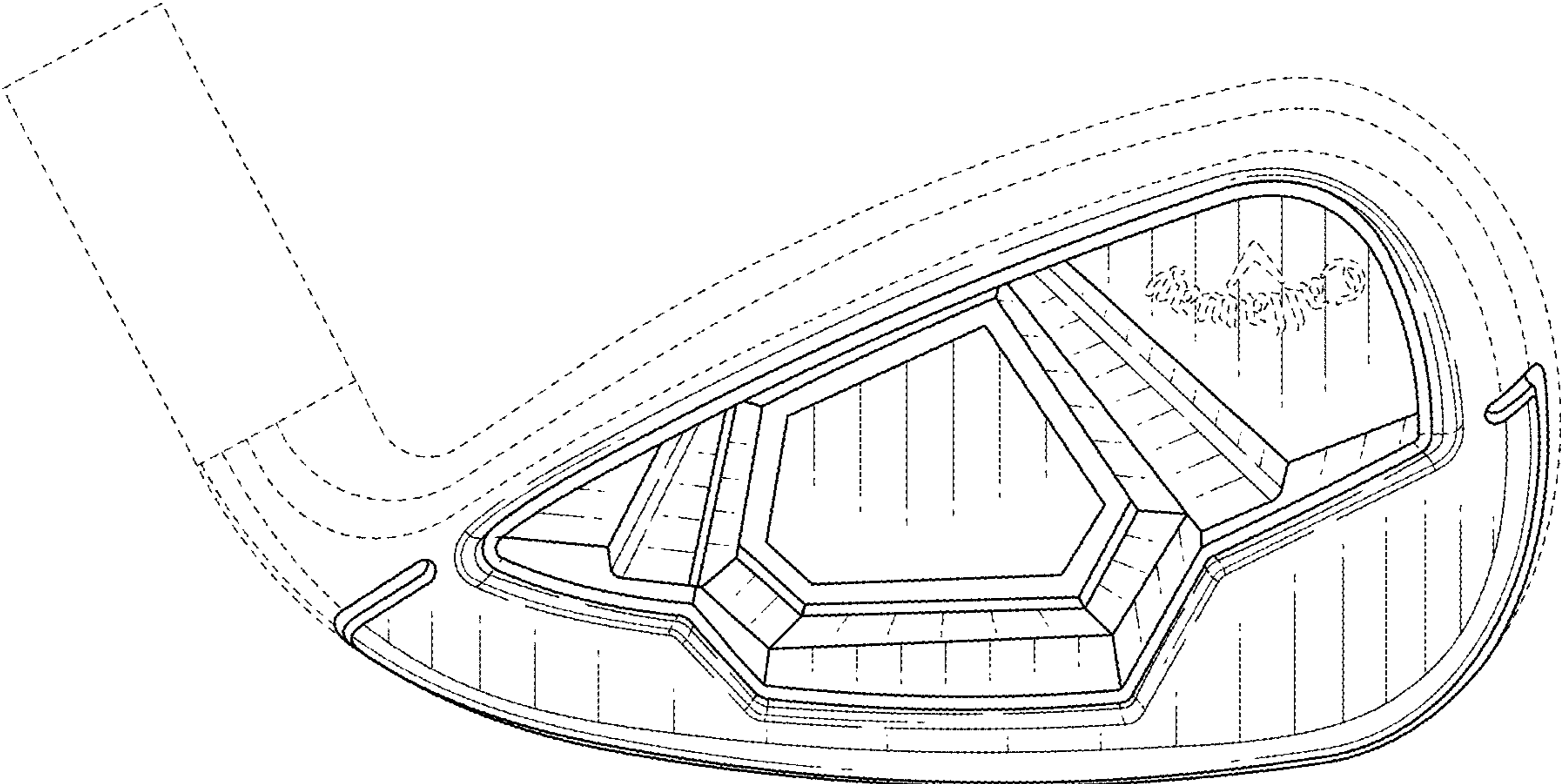


FIG. 3

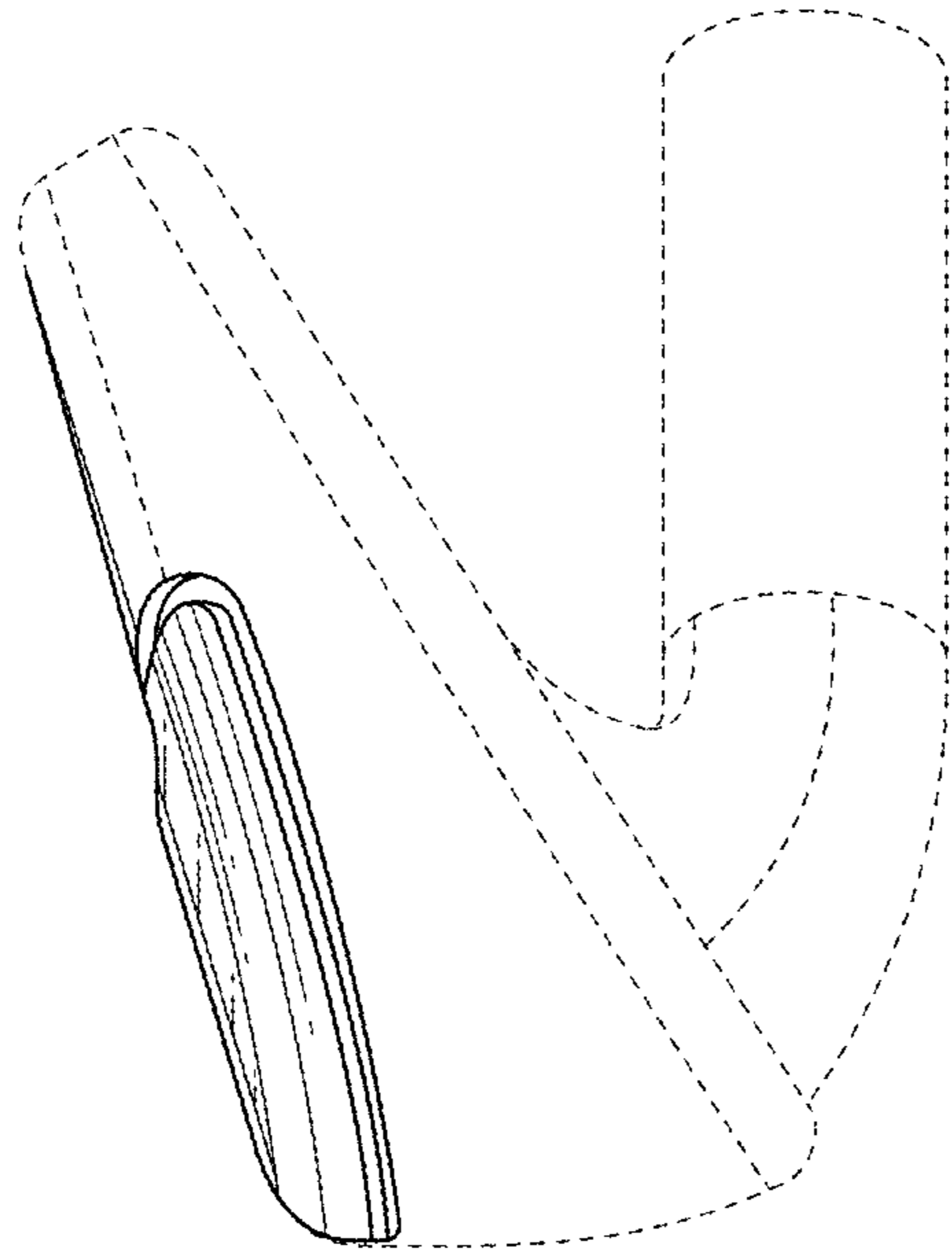


FIG. 4

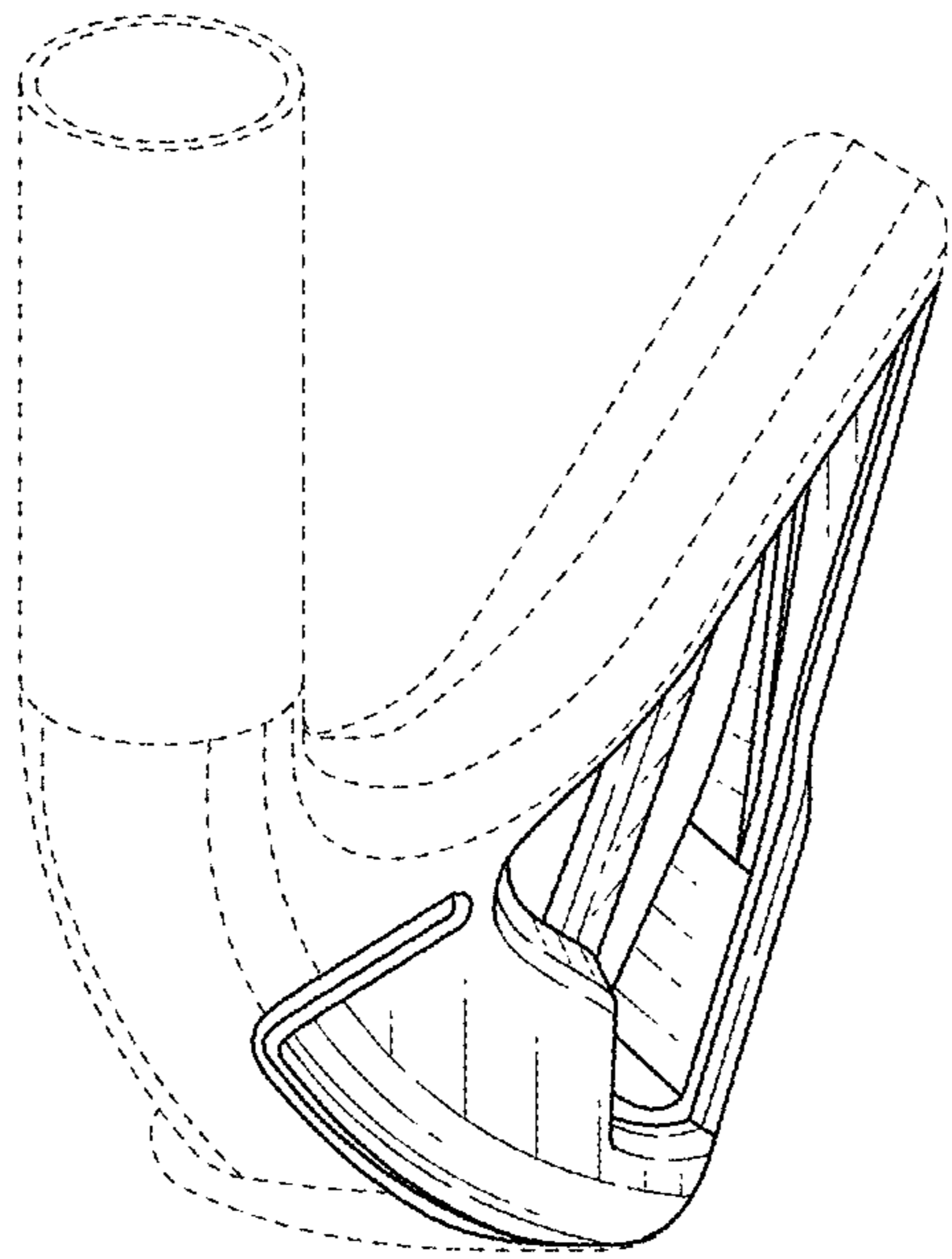


FIG. 5

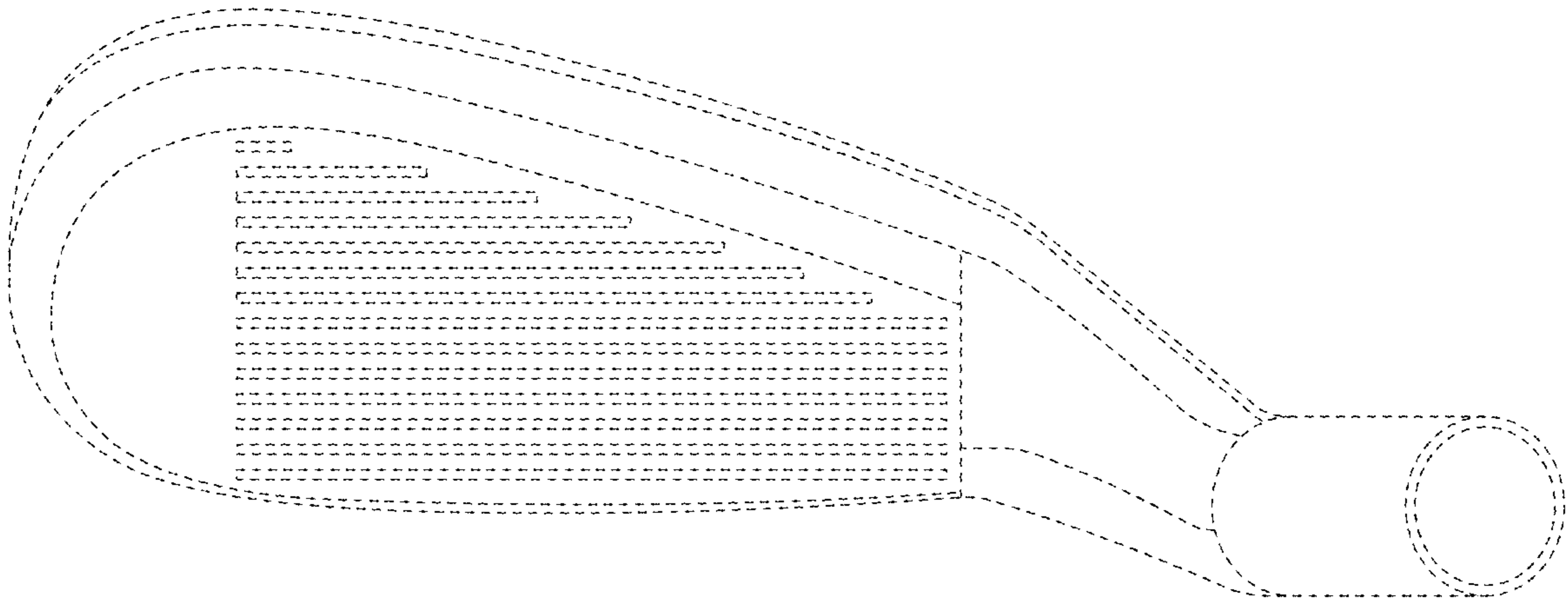


FIG. 6

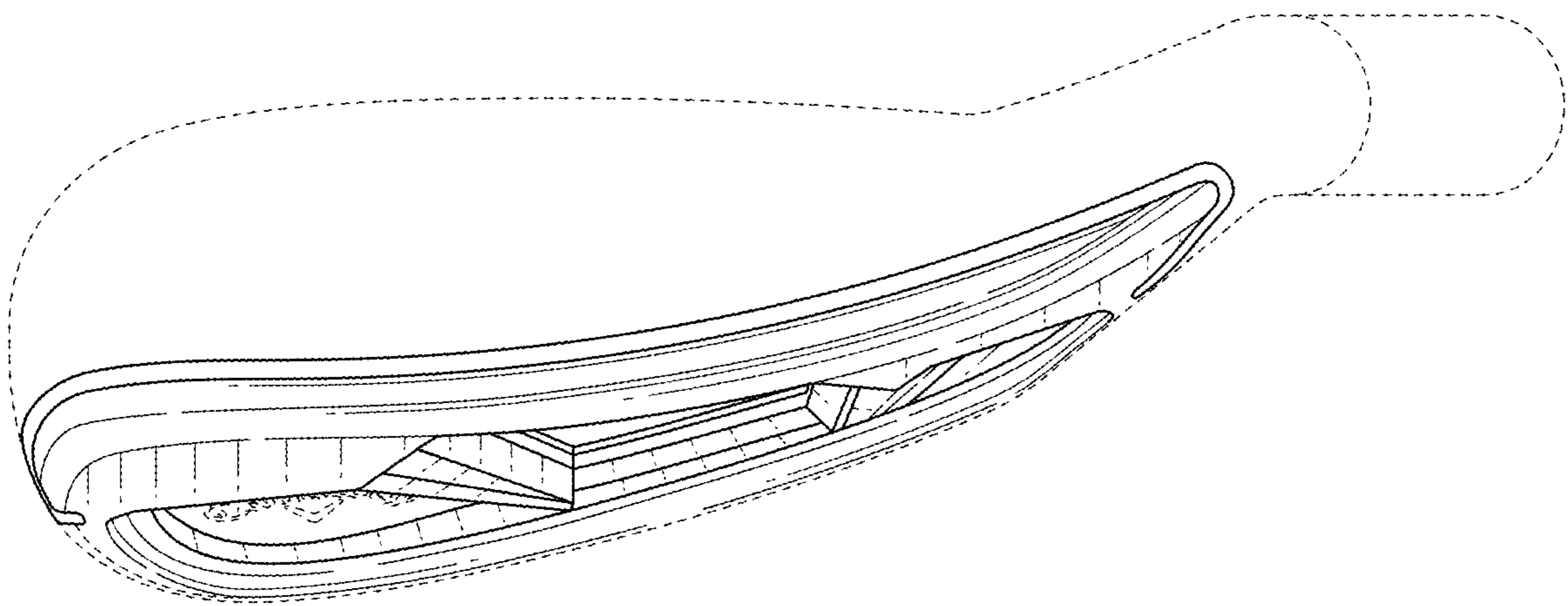


FIG. 7