



US00D983902S

(12) **United States Design Patent** (10) **Patent No.:** **US D983,902 S**  
**Ballina** (45) **Date of Patent:** **\*\* Apr. 18, 2023**

(54) **YOGA BACK ROLLER** 6,037,544 A \* 3/2000 Lee ..... H02G 15/117  
174/92  
(71) Applicant: **Clare Joy Ballina**, Doncaster (AU) 7,250,032 B2 7/2007 Fink  
D553,414 S \* 10/2007 Boutin ..... D6/601  
(72) Inventor: **Clare Joy Ballina**, Doncaster (AU) D563,557 S \* 3/2008 Fink ..... D24/211  
D567,951 S \* 4/2008 Fink ..... D24/200  
D567,953 S 4/2008 Fink  
(\*\*) Term: **15 Years** (Continued)

(21) Appl. No.: **29/776,426**

FOREIGN PATENT DOCUMENTS

(22) Filed: **Mar. 30, 2021**  
(51) **LOC (14) Cl.** ..... **21-02**  
(52) **U.S. Cl.**  
USPC ..... **D21/691**

CN 306563489 \* 5/2021  
CN 307391773 \* 6/2022

(58) **Field of Classification Search**  
USPC ..... D21/307, 338, 386, 390, 392, 393, 395,  
D21/478, 479, 308, 362, 487, 488, 525,  
D21/688, 691, 686, 687, 689, 694;  
D7/554.1, 554.2, 554.3, 554, 584-588;  
D24/106, 171, 200, 211, 212, 213, 214,  
D24/215, 231; D30/160, 119; D6/596,  
D6/601, 606; D8/397, 399  
CPC . A63B 21/0552; A63B 23/0211; A63B 23/12;  
A63B 21/0557; A63B 21/0004; A63B  
22/20; A61H 15/00; A61H 15/02; A61H  
15/0092; A61H 15/0014; A61H 15/0007;  
A61H 15/0042; A61H 15/0064; A61H  
1/00; A61H 1/001; A61H 1/0237; A61H  
1/0244; A61H 1/0292; A61H 2201/1253;  
A61H 2201/1284; A61H 2201/169; A61H  
2201/0107; A61H 2201/0103; A61N 5/06  
See application file for complete search history.

OTHER PUBLICATIONS

Inviguri Roller Yoga Wheel, available on Amazon.com, date first available Oct. 20, 2021, oldest customer review with photo Oct. 17, 2020, [site visited Oct. 12, 2022], URL: <https://www.amazon.com/dp/B09JWS3DW6/> (Year: 2020).\*  
(Continued)

*Primary Examiner* — Cary M Robinson  
*Assistant Examiner* — Emily Anna Saunders  
(74) *Attorney, Agent, or Firm* — Eric Karich; Karich & Associates

(57) **CLAIM**

The ornamental design for a yoga back roller, as shown and described.

**DESCRIPTION**

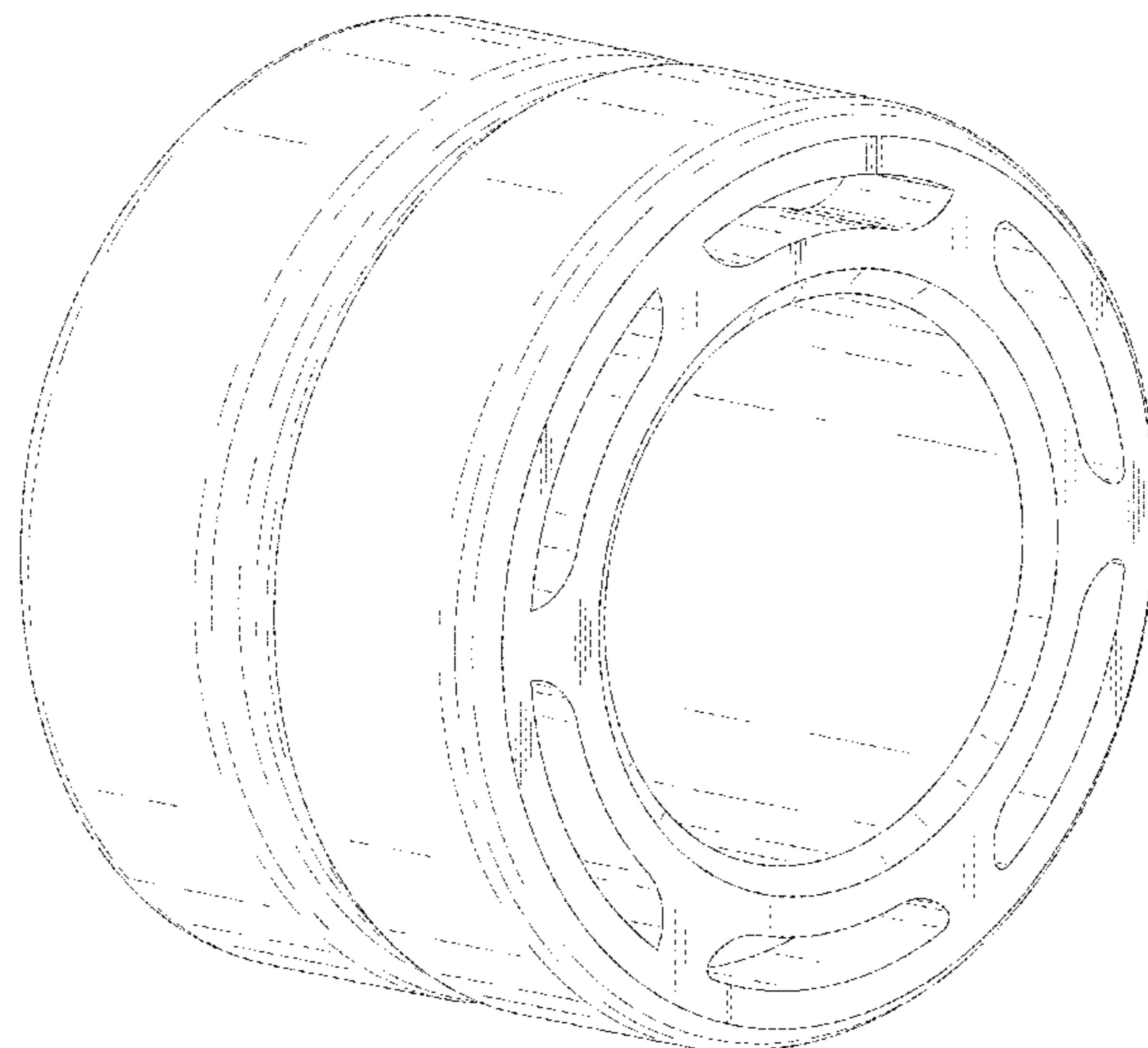
(56) **References Cited**

U.S. PATENT DOCUMENTS

D121,371 S \* 7/1940 Hammond ..... D9/756  
3,459,445 A \* 8/1969 Dennie, Jr. .... F16L 47/10  
264/234  
D261,406 S \* 10/1981 Corbin ..... D21/779  
D314,422 S \* 2/1991 Adorjan ..... D23/262  
D403,729 S \* 1/1999 Portzline ..... D21/779  
D414,406 S \* 9/1999 Meyer ..... D8/399

FIG. 1 is a perspective view of a yoga back roller, showing the new design;  
FIG. 2 is a front elevation view thereof;  
FIG. 3 is a rear elevation view thereof;  
FIG. 4 is a left side elevation view thereof;  
FIG. 5 is a right side elevation view thereof;  
FIG. 6 is a top plan view thereof; and,  
FIG. 7 is a bottom plan view thereof.

**1 Claim, 5 Drawing Sheets**



(56)

**References Cited**

## U.S. PATENT DOCUMENTS

D589,126 S \* 3/2009 Concannon ..... D23/262  
D749,702 S \* 2/2016 Rohn ..... D23/259  
D789,152 S \* 6/2017 Wall ..... D7/584  
D848,555 S 5/2019 Chang  
D858,779 S \* 9/2019 Durfee ..... D24/190  
D894,350 S \* 8/2020 Koike ..... D23/269  
D915,613 S \* 4/2021 Durfee ..... D24/211  
D929,214 S \* 8/2021 Zatta ..... D8/387  
11,510,838 B2 \* 11/2022 La Porta ..... A61H 9/0078  
D972,740 S \* 12/2022 Karvandi ..... D21/691  
D975,807 S \* 1/2023 Ballina ..... D21/691  
2006/0149174 A1 \* 7/2006 Fink ..... A61H 1/0292  
601/134  
2018/0360687 A1 \* 12/2018 Jorgenson ..... A61H 15/00  
2020/0054155 A1 \* 2/2020 Komatick ..... A47G 9/1045

## OTHER PUBLICATIONS

Inviguri Body Wheels, available on Youtube.com, date posted Aug. 22, 2020, [site visited Oct. 17, 2022], URL: <https://www.youtube.com/watch?v=1caHEi8J-KM> (Year: 2020).\*

Chirp Wheel 6" Deep Tissue, available on gochirp.com, oldest customer review May 28, 2019, [site visited Oct. 12, 2022], URL: <https://gochirp.com/products/chirp-wheel-6-deep-tissue?variant=39383723835415> (Year: 2019).\*

Body Wheel Yoga Wheel, available on Amazon.com, date first available Dec. 29, 2015, oldest customer review Nov. 25, 2015, [site visited Oct. 12, 2022], URL: <https://www.amazon.com/dp/B019Y118PE> (Year: 2015).\*

\* cited by examiner

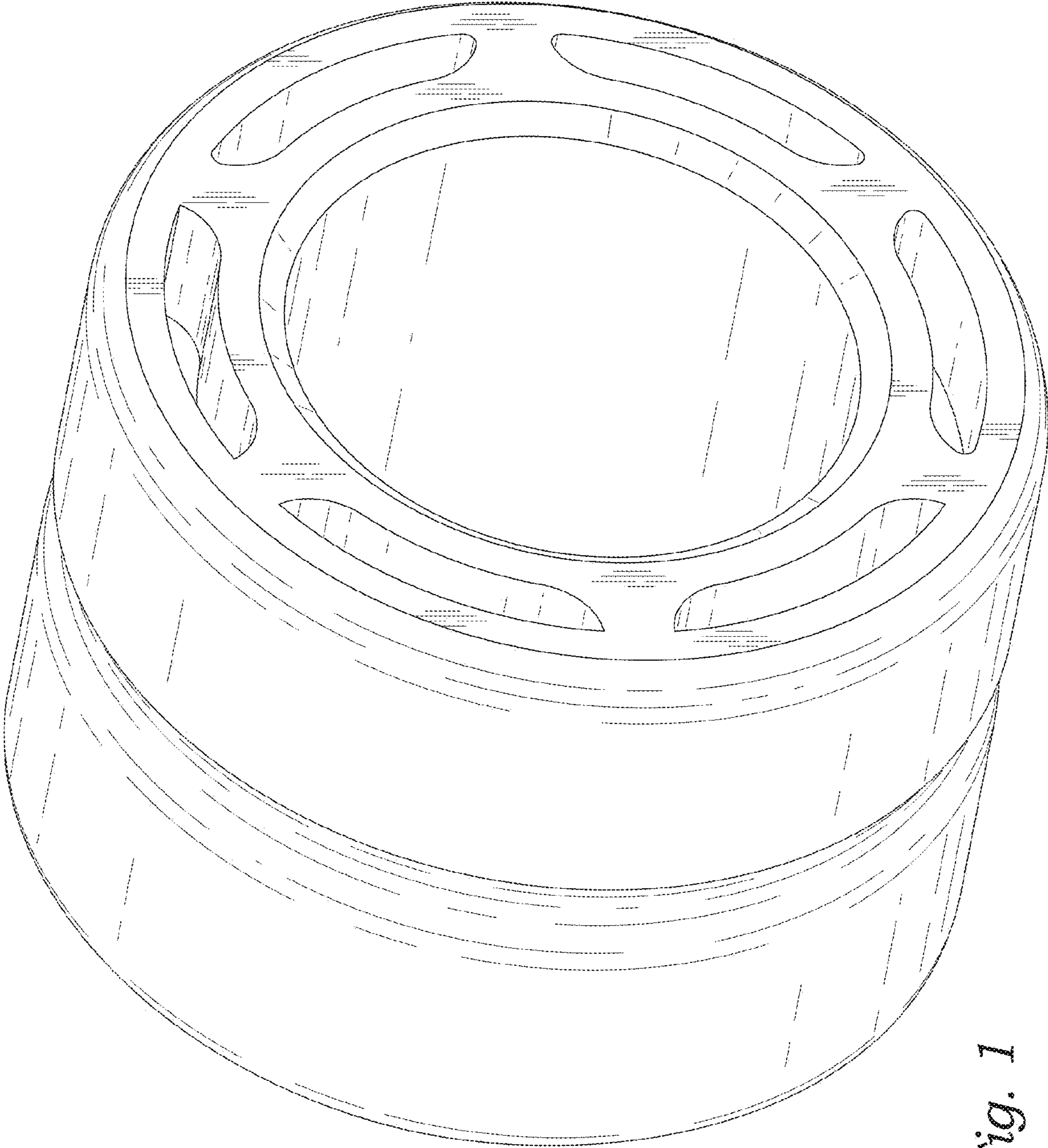
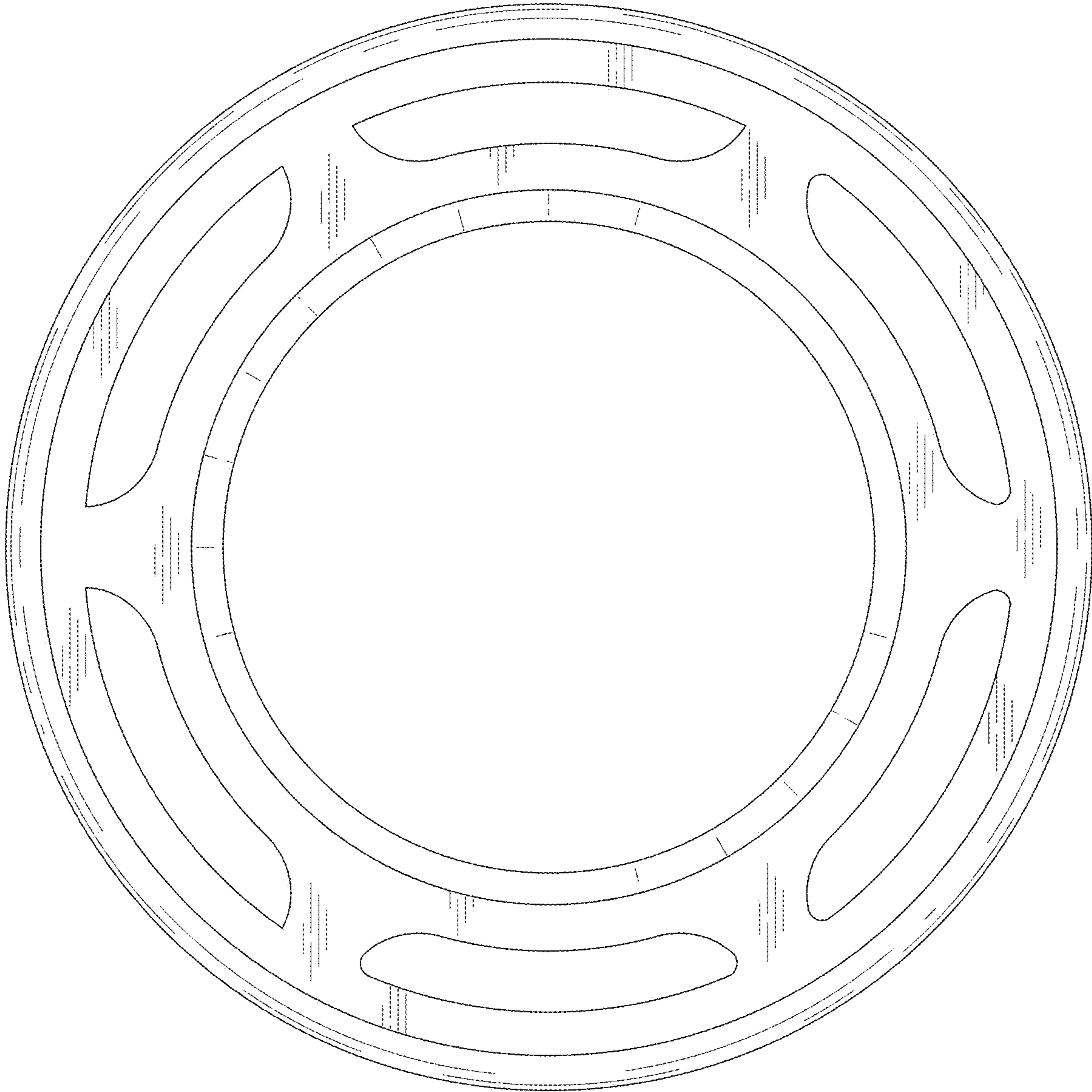
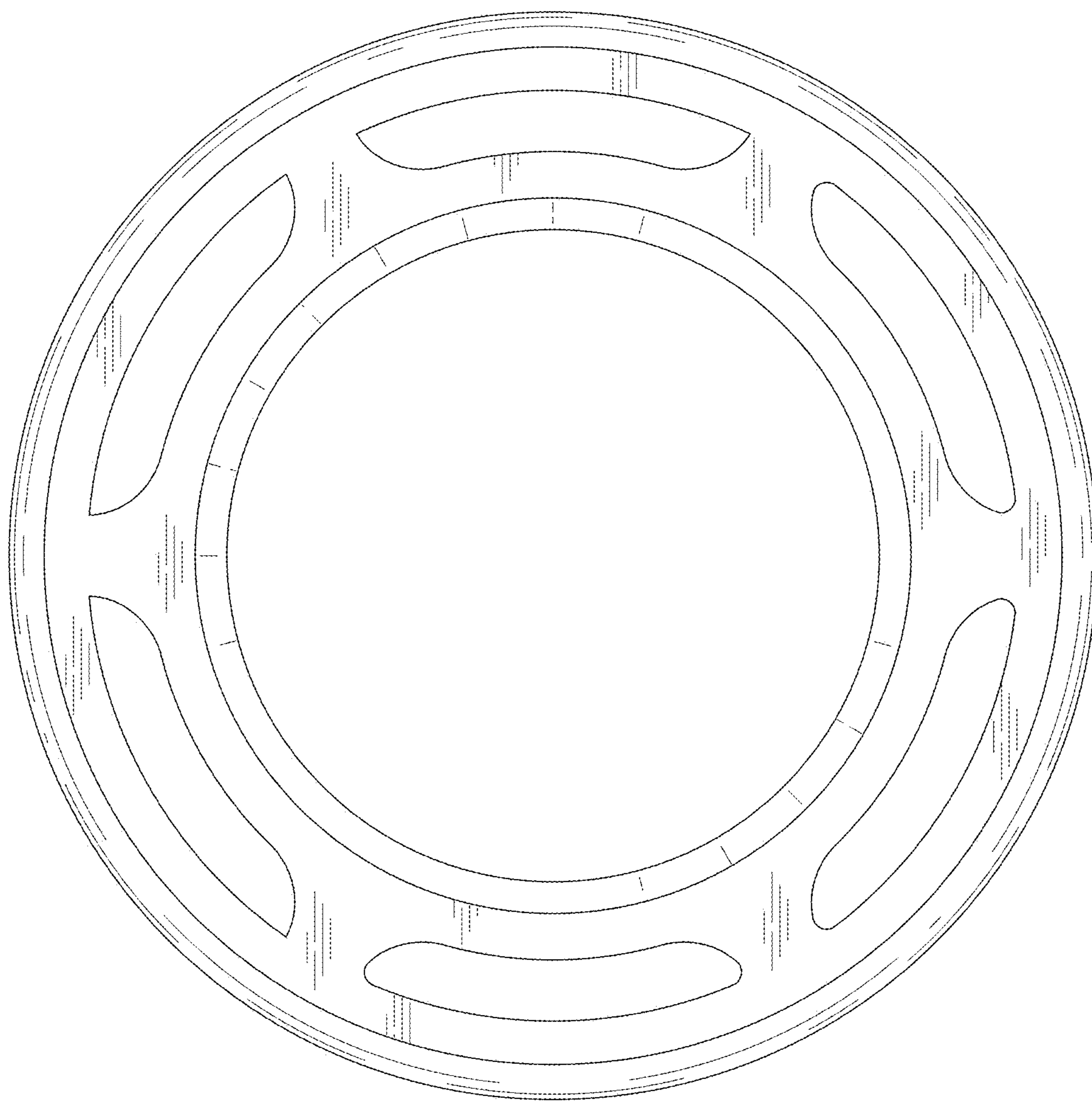


Fig. 1

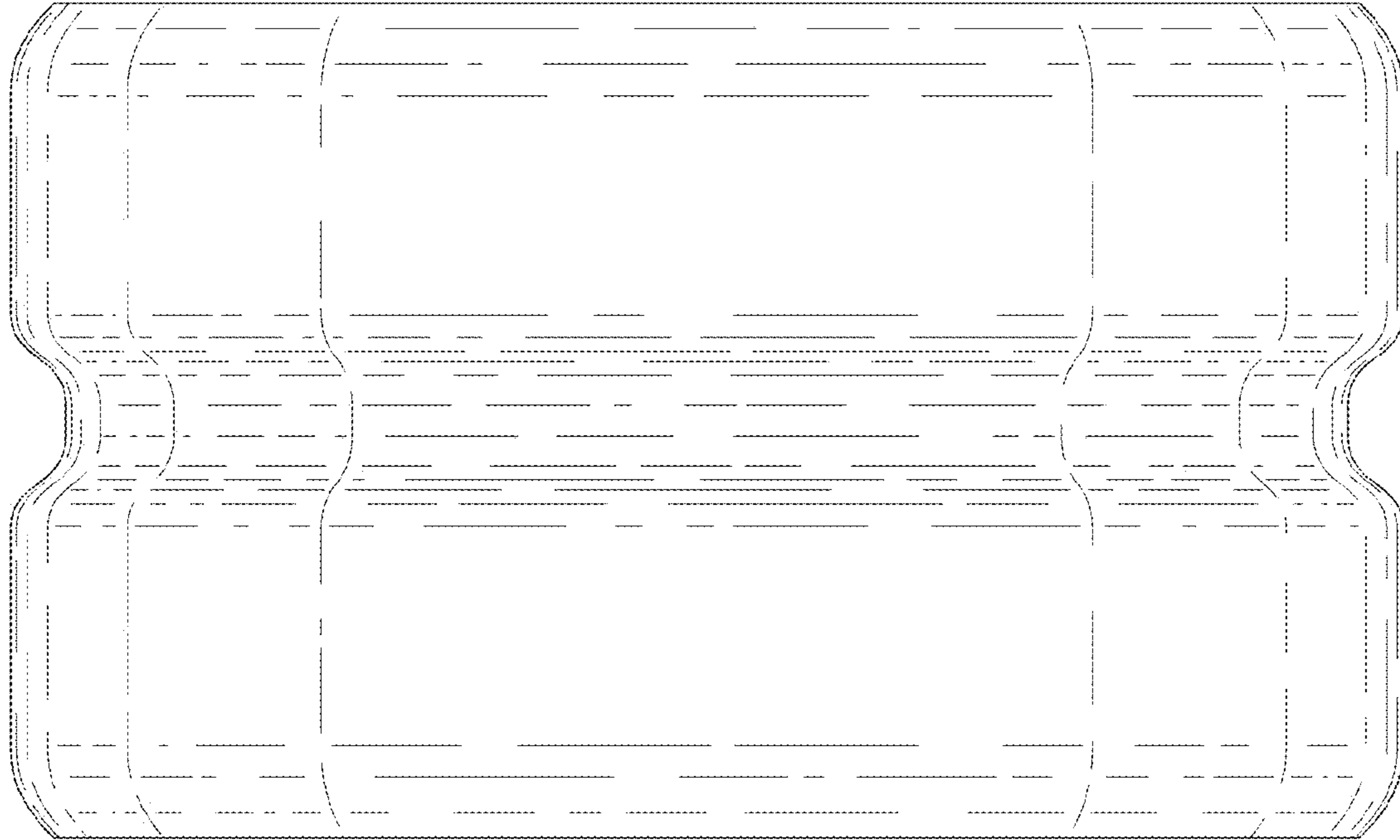




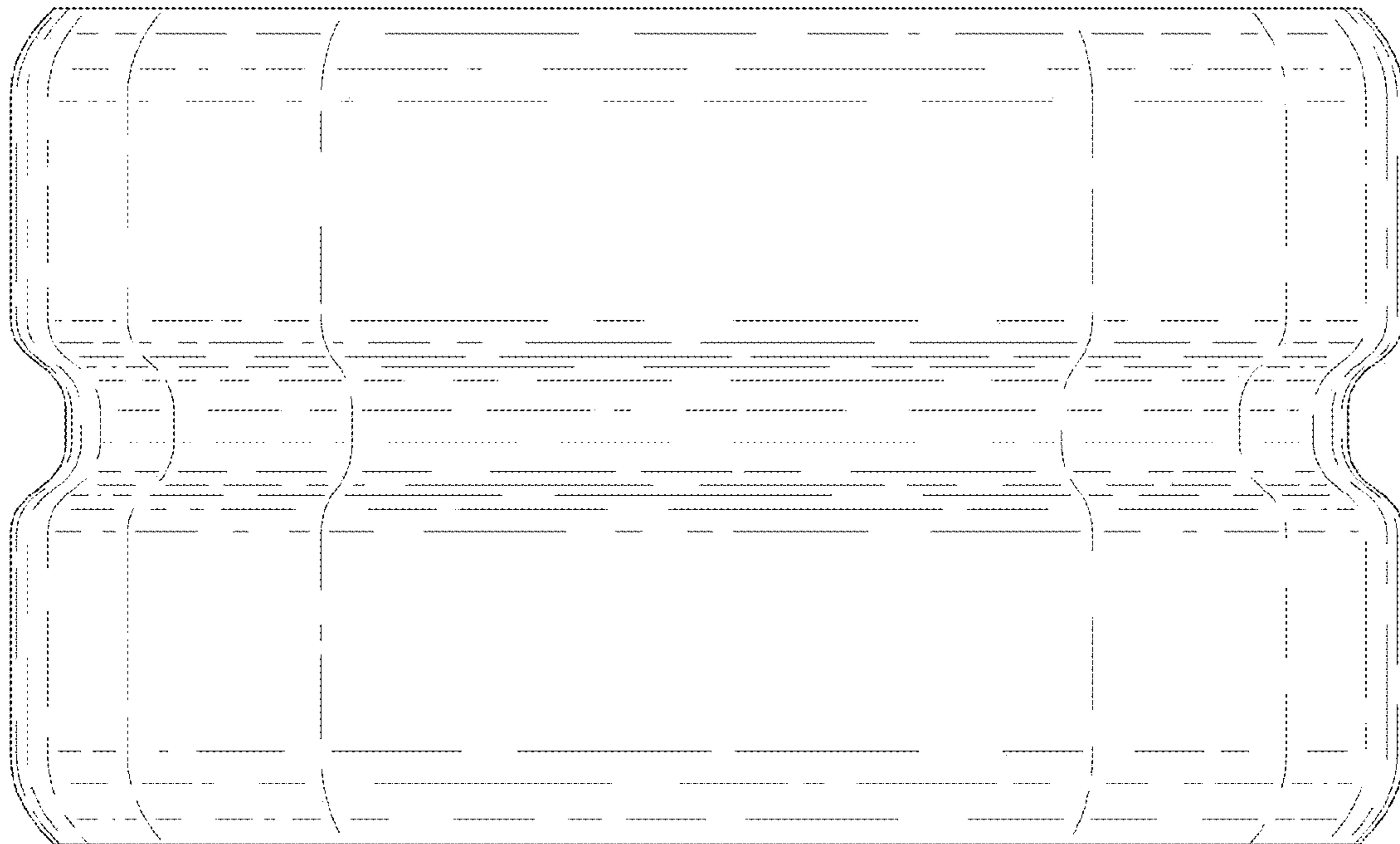
*Fig. 2*



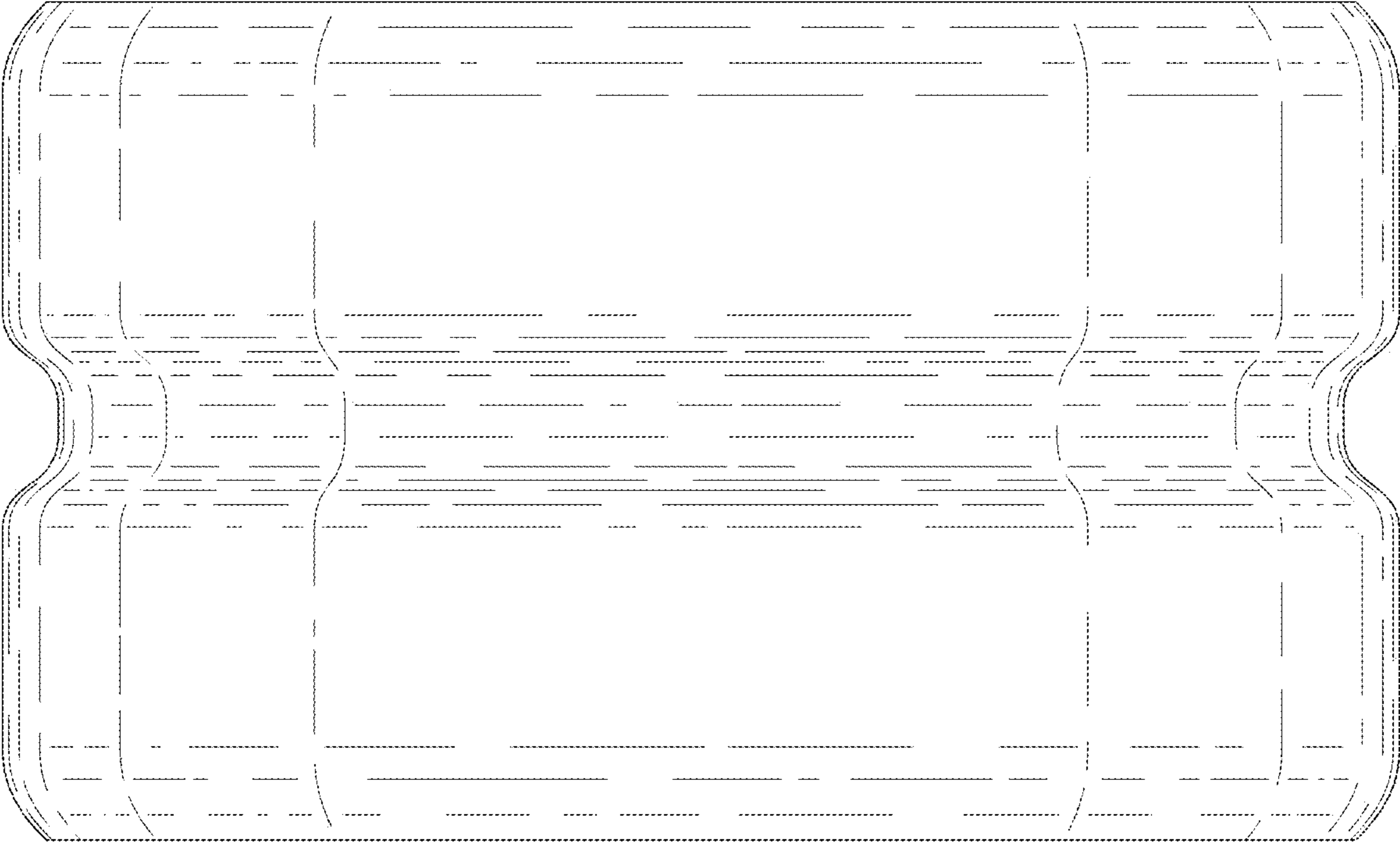
*Fig. 3*



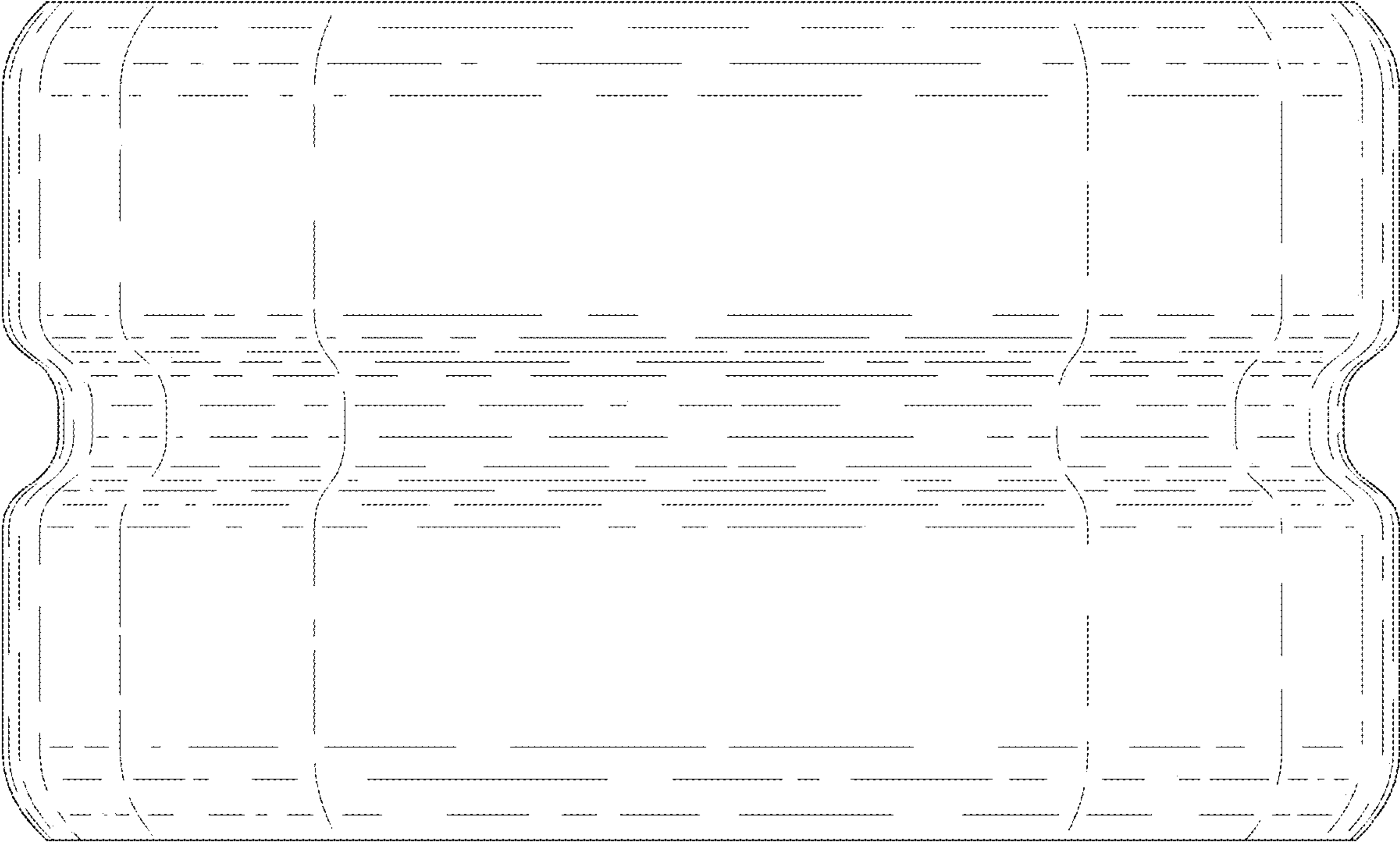
*Fig. 5*



*Fig. 4*



*Fig. 6*



*Fig. 7*