



US00D983900S

(12) **United States Design Patent**
Yan

(10) **Patent No.:** **US D983,900 S**
(45) **Date of Patent:** **** Apr. 18, 2023**

(54) **TREADMILL WITH AUTOMOBILE-SHAPED BAS**

(71) Applicant: **Hui Yan**, Huntington Beach, CA (US)

(72) Inventor: **Hui Yan**, Huntington Beach, CA (US)

(**) Term: **15 Years**

(21) Appl. No.: **29/816,289**

(22) Filed: **Nov. 19, 2021**

(51) **LOC (14) Cl.** **21-02**

(52) **U.S. Cl.**
USPC **D21/669**

(58) **Field of Classification Search**
USPC D21/668, 669, 686, 694, 662
See application file for complete search history.

(56) **References Cited**

U.S. PATENT DOCUMENTS

D393,297 S *	4/1998	McBride	D21/669
D403,034 S *	12/1998	Moon	D21/669
D507,025 S *	7/2005	Husted	D21/668
D565,130 S *	3/2008	Olson	D21/670
D581,470 S *	11/2008	Wu	D21/668
7,594,877 B2 *	9/2009	Anderson	A63B 22/001 482/52
D636,450 S *	4/2011	Wu	D21/694

OTHER PUBLICATIONS

Startrac, announced 2012[online], [site visited Jan. 19, 2022]. Available on internet, URL:https://www.amazon.com/StarTrac-Star-Trac-S-TRx-Treadmill/dp/B00AQDL2OY/ref (Year: 2012).*

* cited by examiner

Primary Examiner — Khawaja Anwar

Assistant Examiner — Julice Seung Eun Oum

(74) *Attorney, Agent, or Firm* — Fish IP Law, LLP

(57) **CLAIM**

The ornament design for a treadmill with an automobile-shaped bas, as shown and described.

DESCRIPTION

FIG. 1 is a left rear perspective view of the claimed design thereof;

FIG. 2 is a left side view thereof;

FIG. 3 is a right side view thereof;

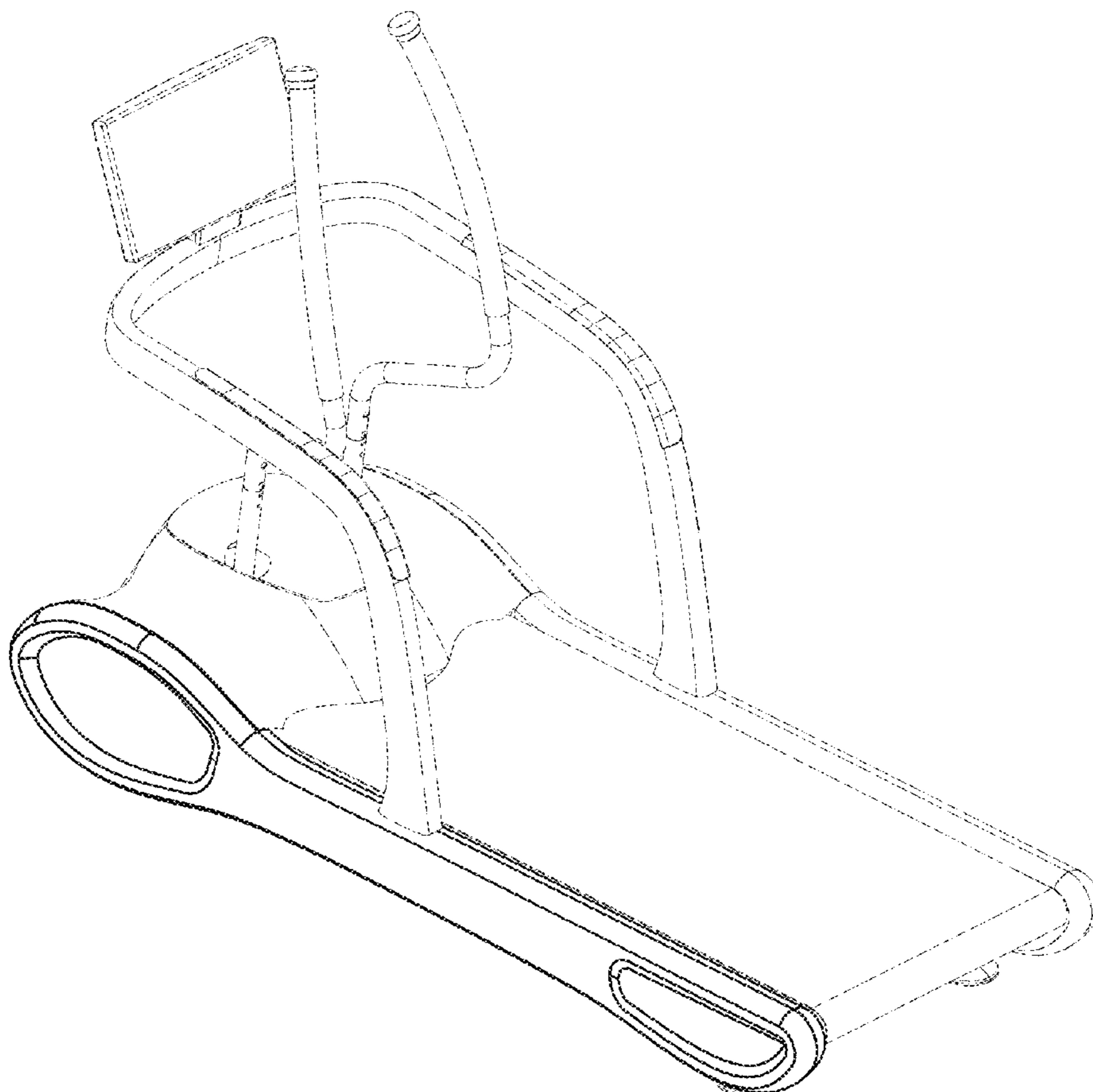
FIG. 4 is a front view thereof;

FIG. 5 is a rear view thereof;

FIG. 6 is a top view thereof; and,

FIG. 7 is a bottom view.

1 Claim, 4 Drawing Sheets



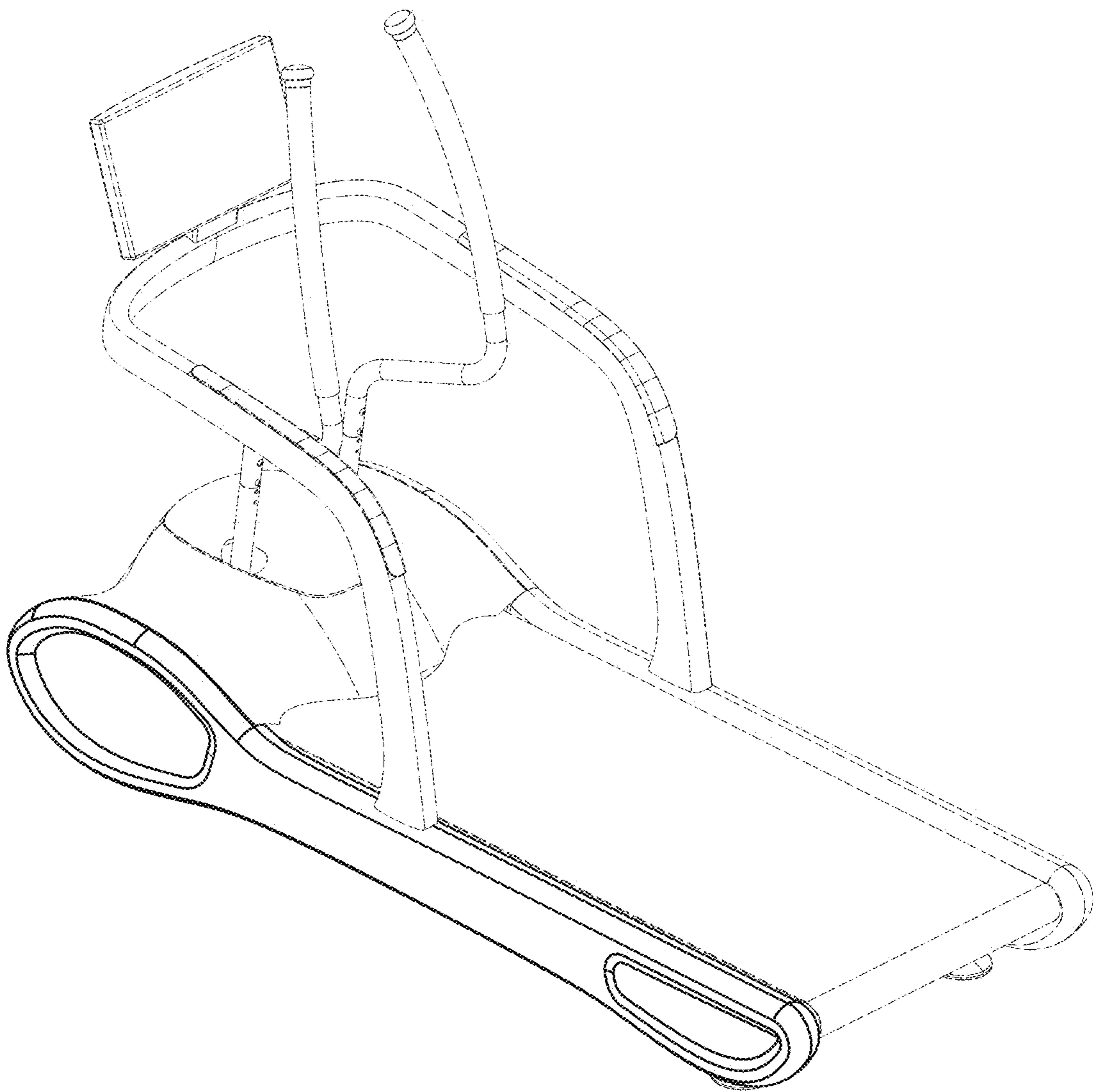


FIG. 1

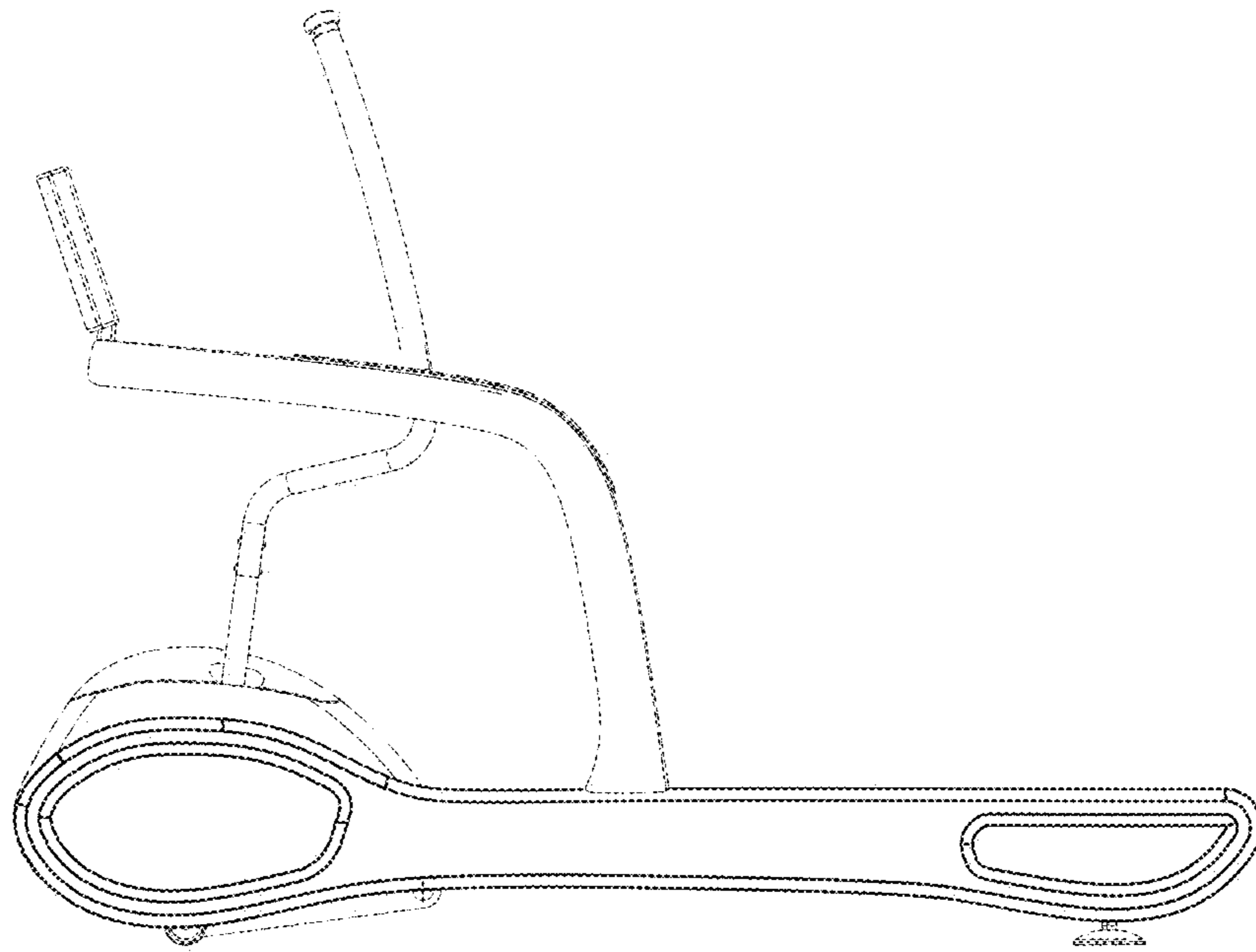


FIG. 2

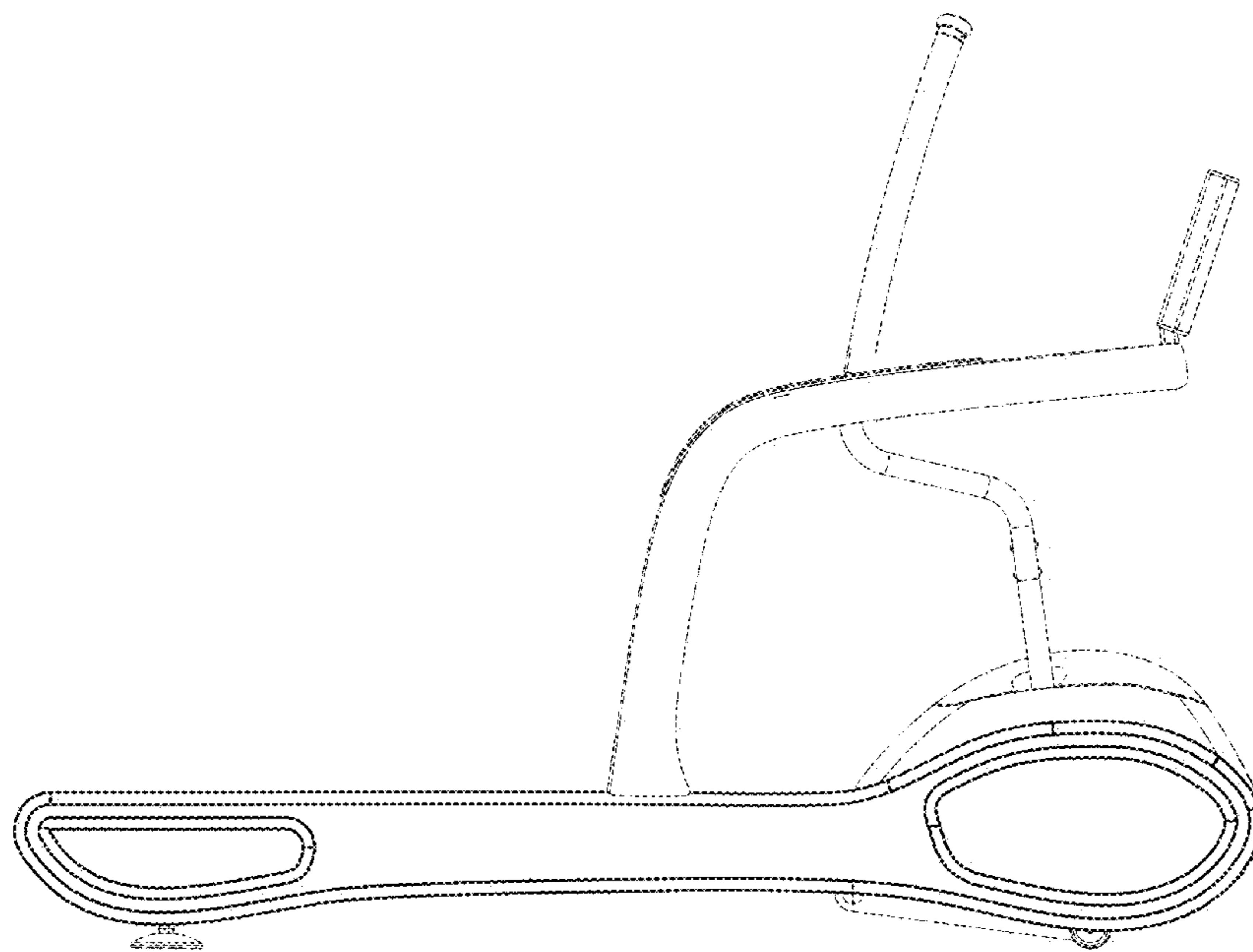


FIG. 3

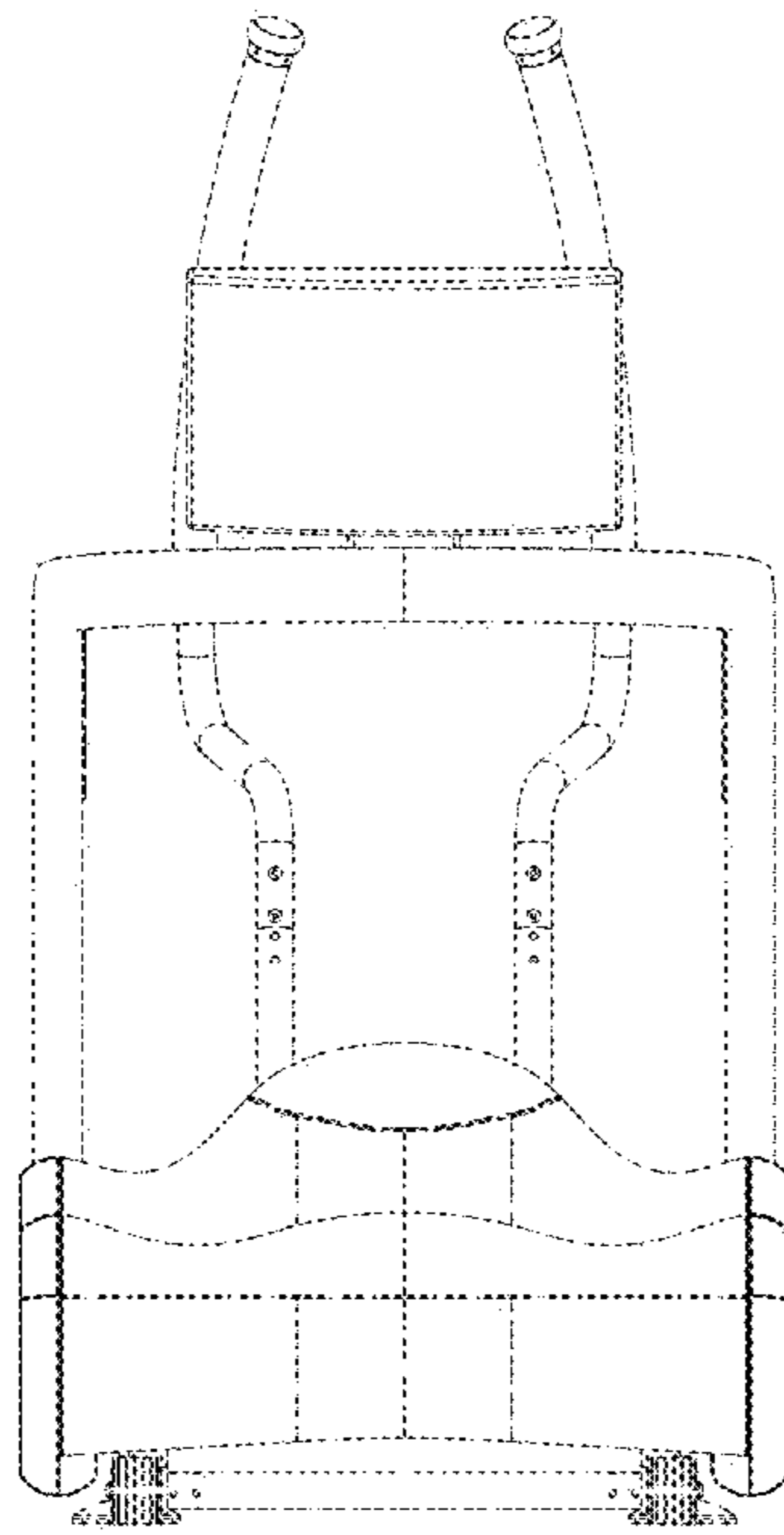


FIG. 4

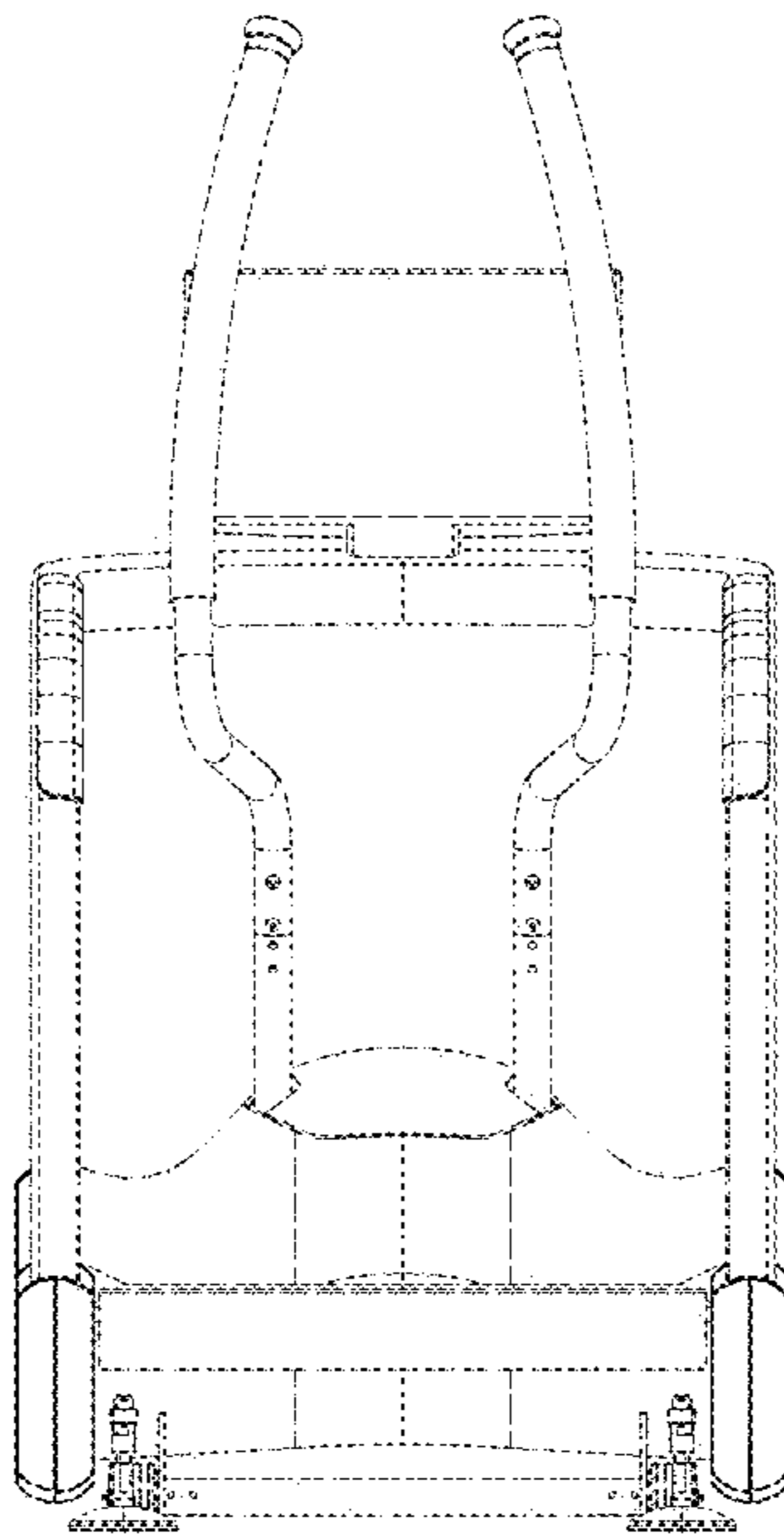


FIG. 5

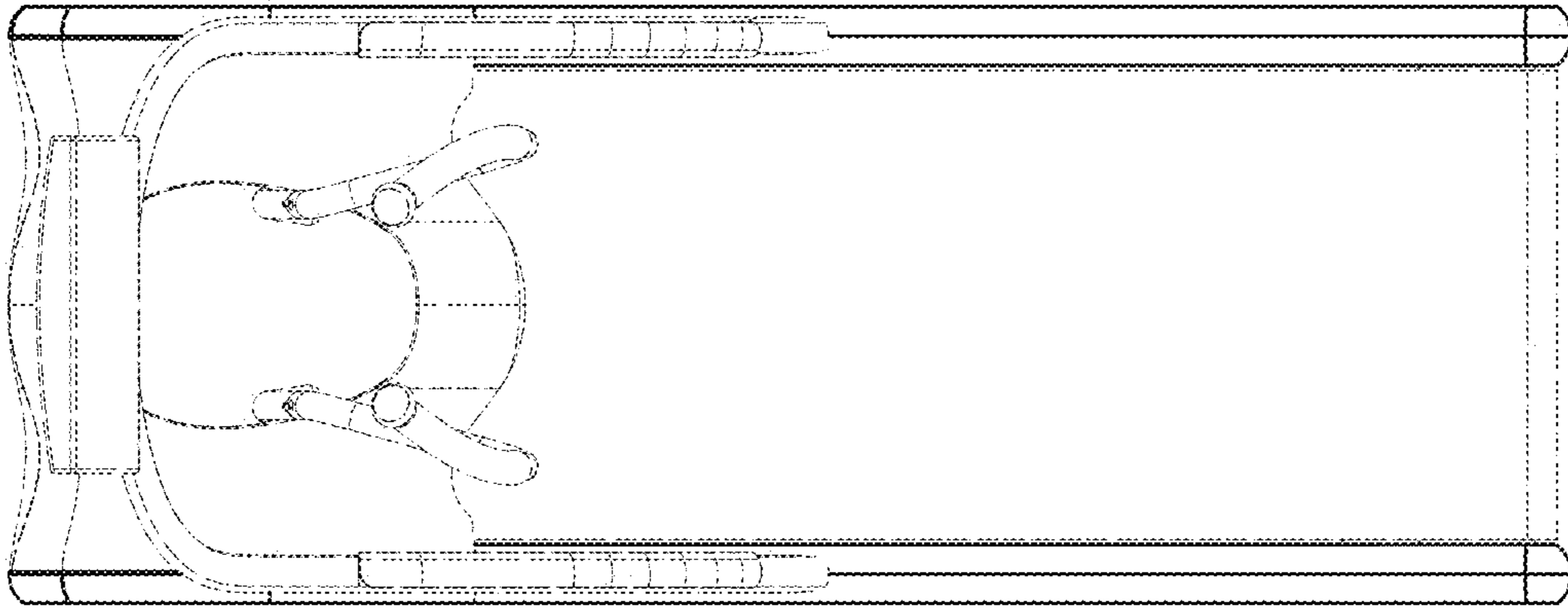


FIG. 6

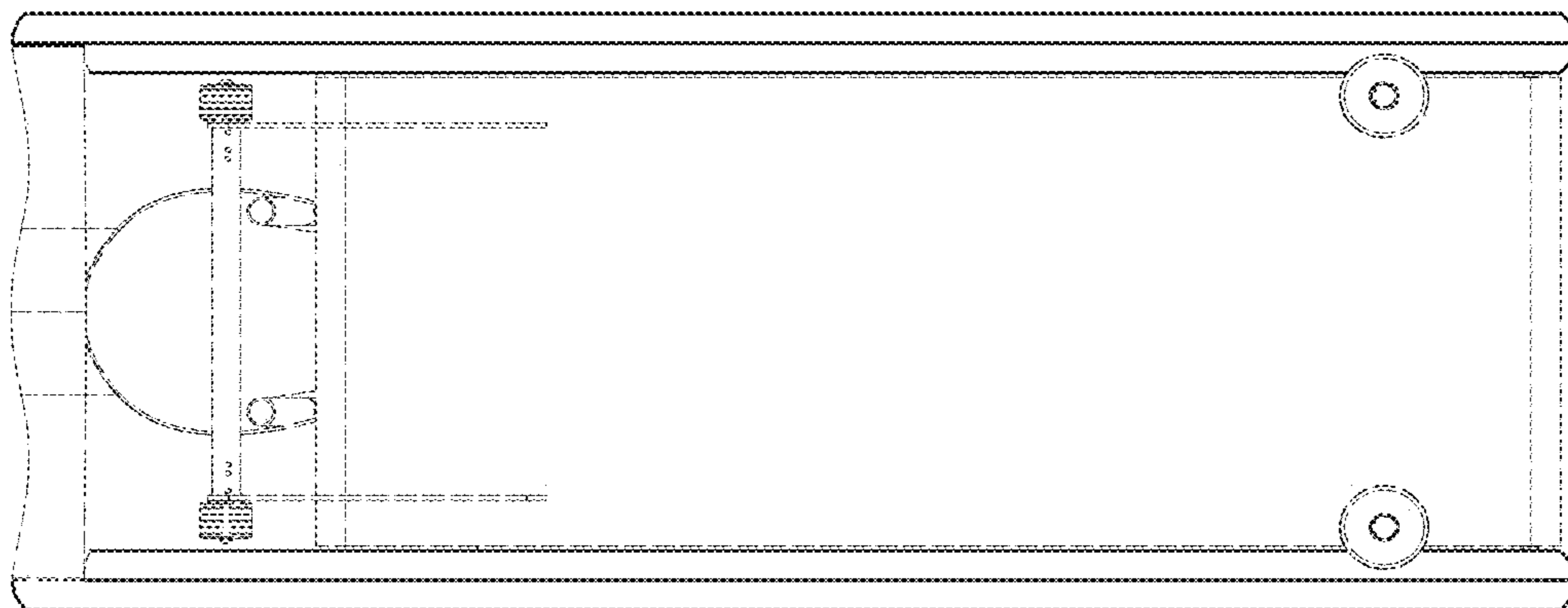


FIG. 7