



US00D983898S

(12) **United States Design Patent**
Zhu

(10) **Patent No.:** **US D983,898 S**
(45) **Date of Patent:** **** Apr. 18, 2023**

(54) **EXERCISE BIKE**

(71) Applicant: **Xiaojing Zhu**, Zhejiang (CN)

(72) Inventor: **Xiaojing Zhu**, Zhejiang (CN)

(**) Term: **15 Years**

(21) Appl. No.: **29/812,673**

(22) Filed: **Oct. 22, 2021**

(51) **LOC (14) Cl.** **21-02**

(52) **U.S. Cl.**
USPC **D21/663**

(58) **Field of Classification Search**
USPC D21/663, 667, 664, 697; D12/111, 114,
D12/117, 432, 538
See application file for complete search history.

(56) **References Cited**

U.S. PATENT DOCUMENTS

7,175,570	B2 *	2/2007	Lull	F16D 41/24 482/57
D571,417	S *	6/2008	Su	D21/667
D649,204	S *	11/2011	Zhang	D21/667
D676,508	S *	2/2013	Wu	D21/667
D682,371	S *	5/2013	Baudhuin	D21/667
D684,223	S *	6/2013	Cornejo	D21/667
8,585,561	B2 *	11/2013	Watt	A63B 21/0051 482/57
2021/0046373	A1 *	2/2021	Smith	A63B 71/0622

OTHER PUBLICATIONS

Echelon, announced 2020 [online], [site visited Jan. 31, 2023].
Available on internet, URL: <https://www.amazon.com/Echelon-EX-15-Smart-Connect-Fitness/dp/B08K4GS4KN/ref> (Year: 2020).*

Sunny health, announced 2020 [online], [site visited Jan. 31, 2023].
Available on internet, URL: https://www.amazon.com/dp/B083JN9VLP?pd_rd_i=B083JN9VLP&pf (Year: 2020).*

* cited by examiner

Primary Examiner — Khawaja Anwar
Assistant Examiner — Julice Seung Eun Oum
(74) *Attorney, Agent, or Firm* — ScienBiziP, P.C.

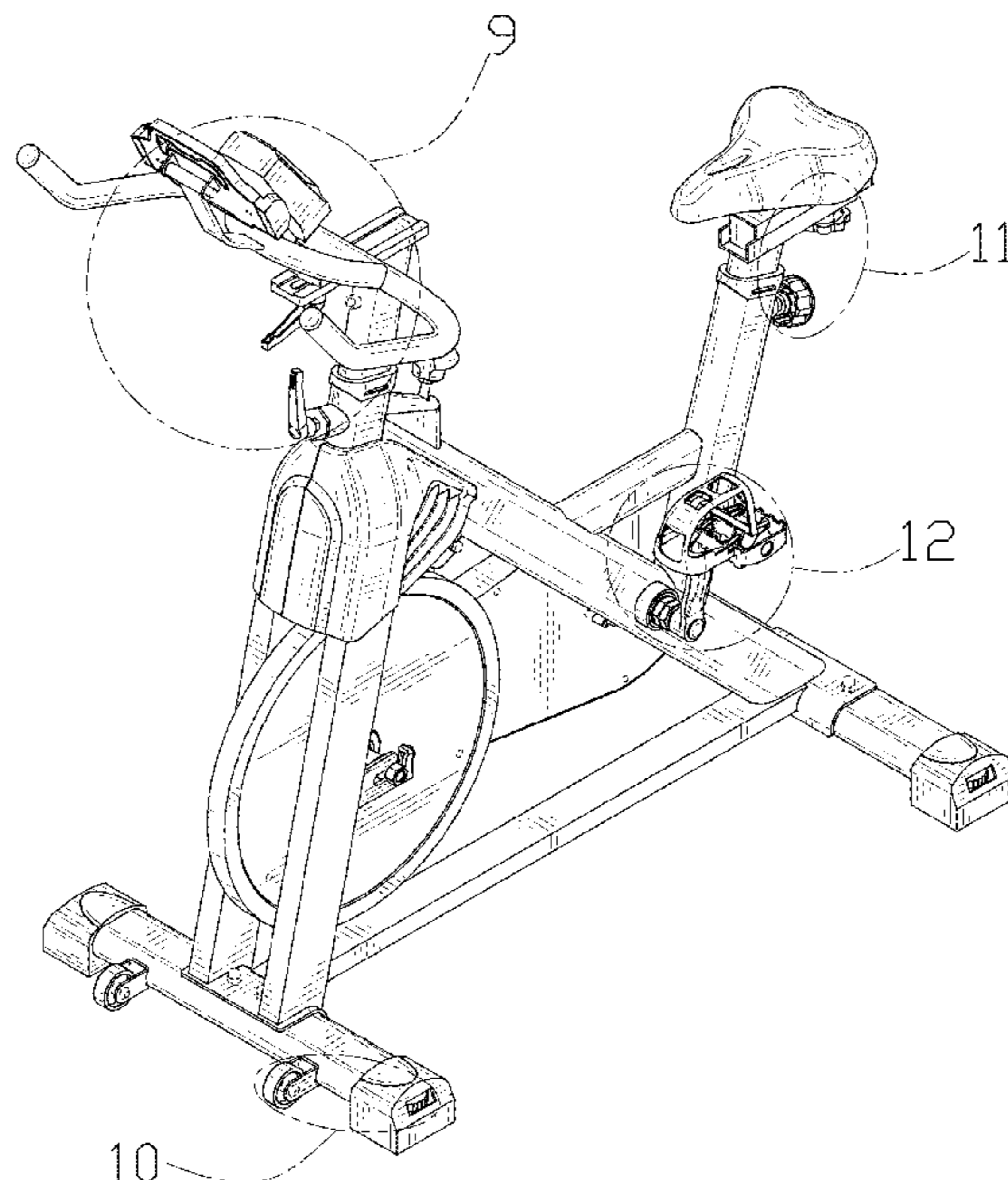
(57) **CLAIM**

The ornamental design for an exercise bike, as shown and described.

DESCRIPTION

FIG. 1 is a front, right, and top perspective view of an exercise bike, showing my design.
FIG. 2 is a rear, left, and bottom perspective view thereof.
FIG. 3 is a front elevation view thereof.
FIG. 4 is a rear elevation view thereof.
FIG. 5 is a left side elevation view thereof.
FIG. 6 is a right side elevation view thereof.
FIG. 7 is a top plan view thereof.
FIG. 8 is a bottom plan view thereof.
FIG. 9 is a partial enlarged view of an area labeled 9 in FIG. 1 comprising a headstock.
FIG. 10 is a partial enlarged view of an area labeled 10 in FIG. 1 comprising a bracket.
FIG. 11 is a partial enlarged view of an area labeled 11 in FIG. 1 comprising an adjusting knob.
FIG. 12 is a partial enlarged view of an area labeled 12 in FIG. 1 comprising a foot pedal; and,
FIG. 13 is a partial enlarged view of an area labeled 13 in FIG. 2 comprising a brake pad.
The broken lines shown in the drawings are included for the purpose of illustrating portions of the exercise bike that form no part of the claimed design.

1 Claim, 13 Drawing Sheets



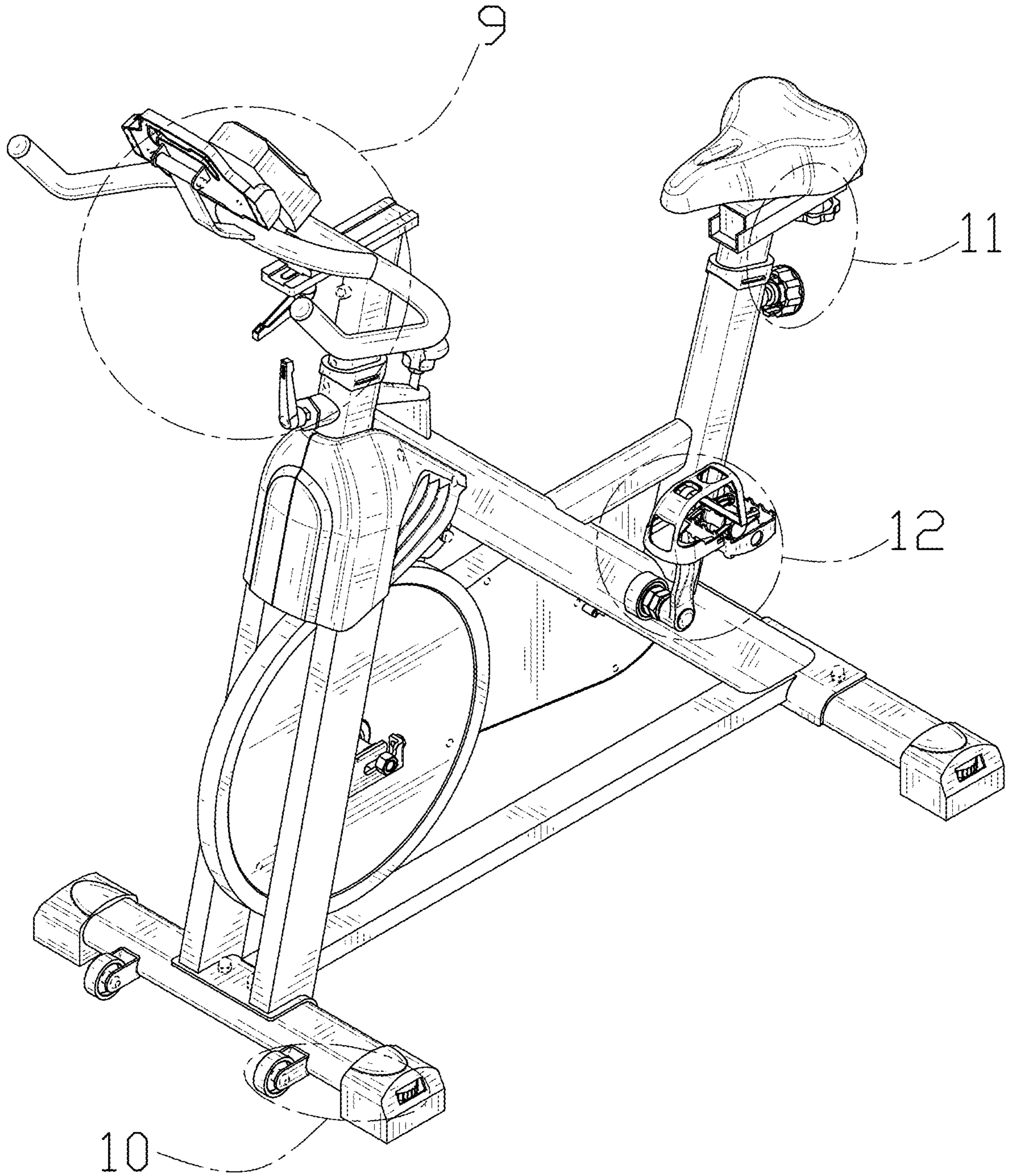


FIG. 1

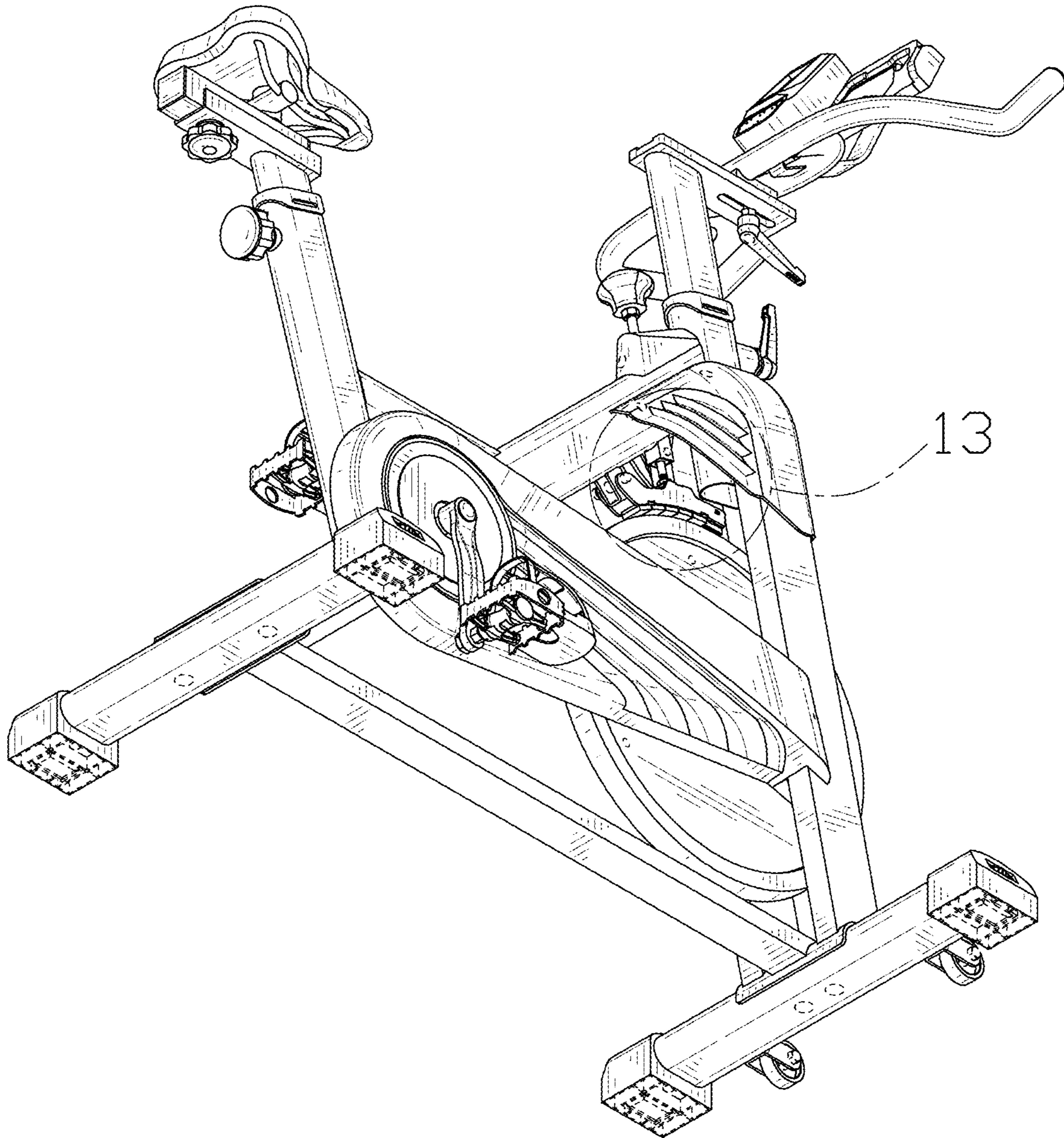


FIG. 2

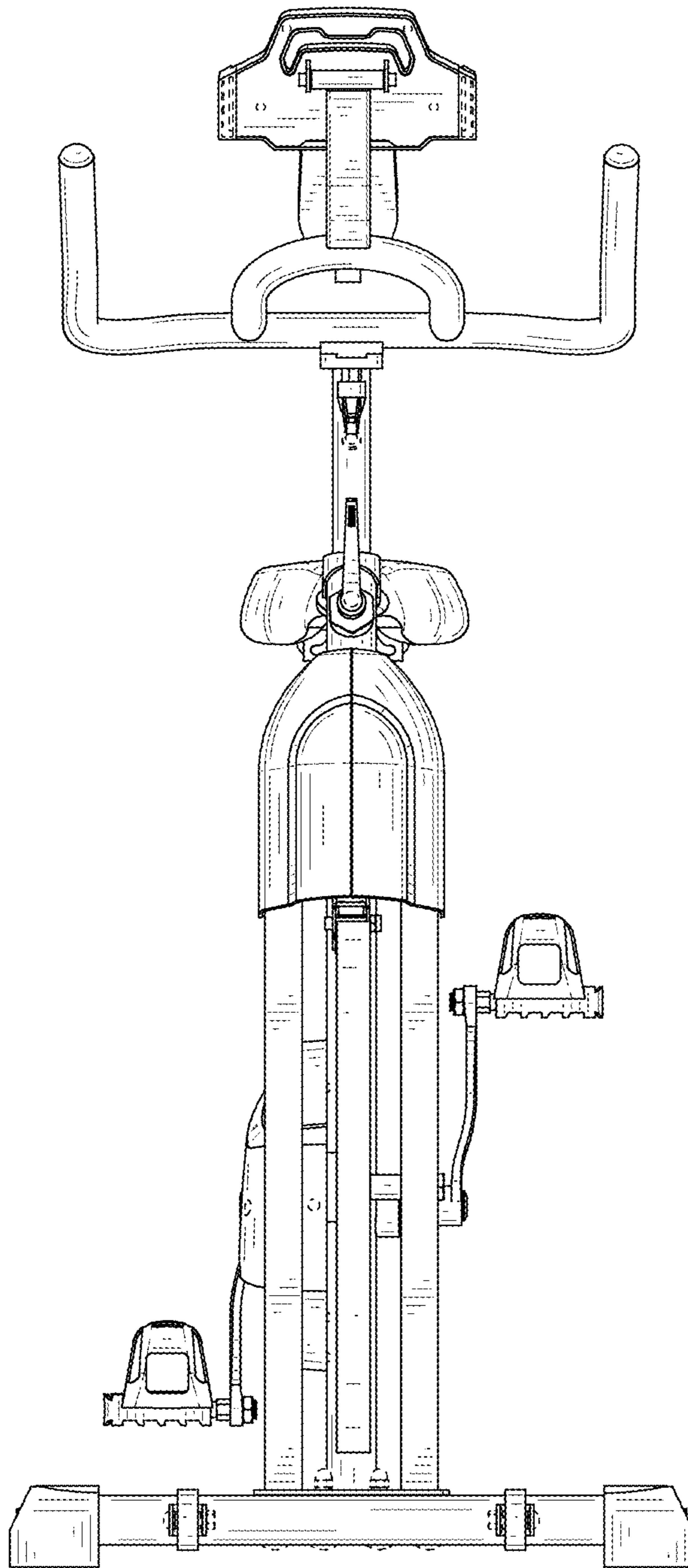


FIG. 3

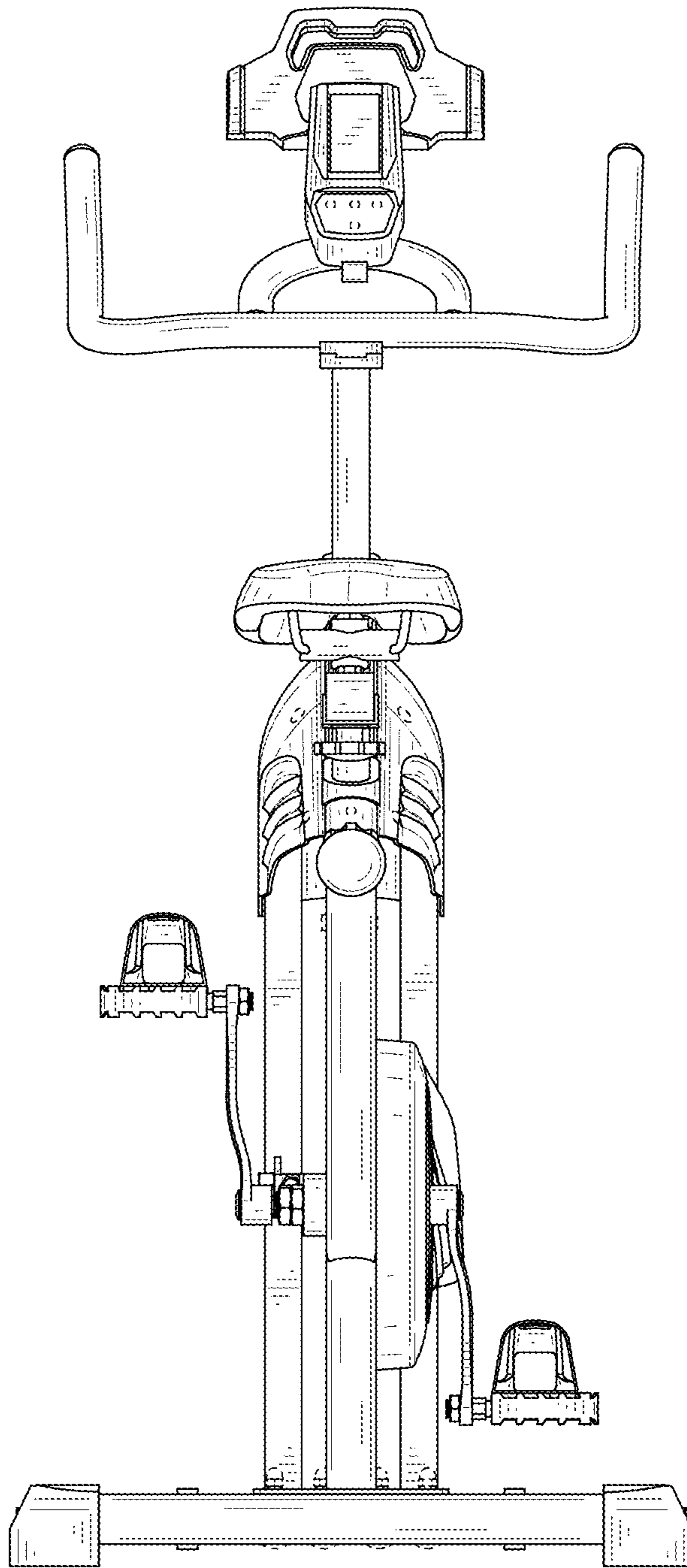


FIG. 4

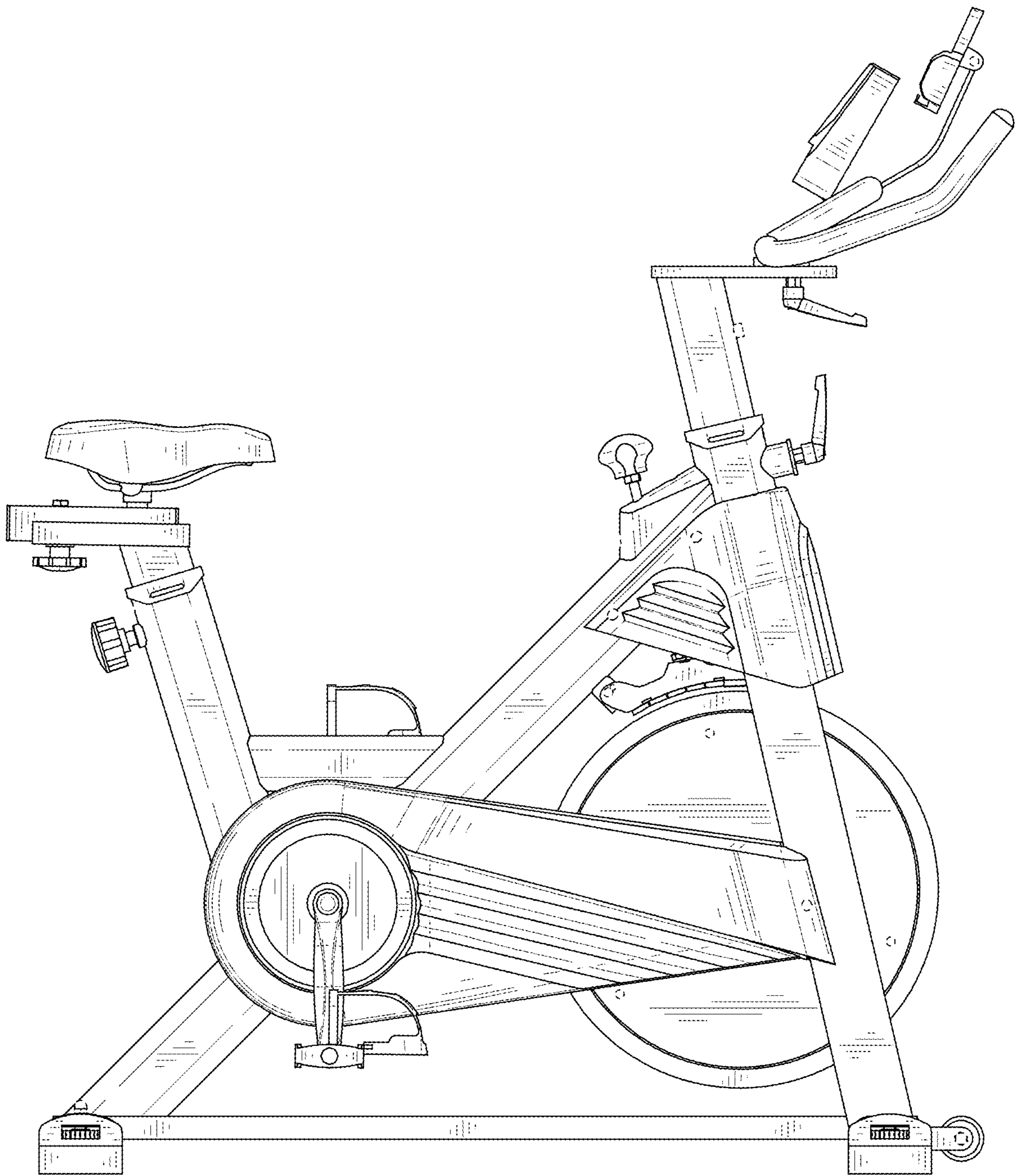


FIG. 5

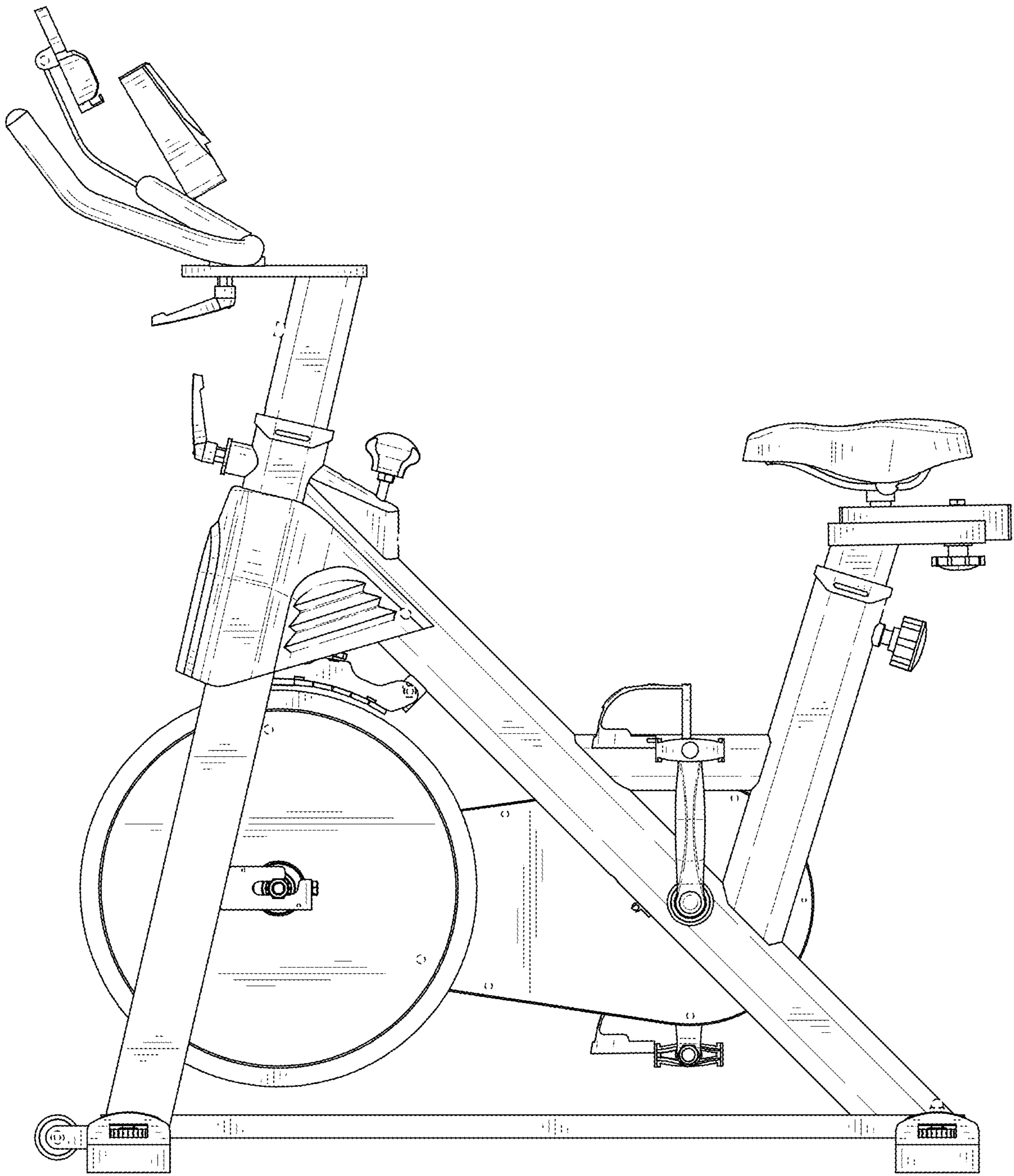


FIG. 6

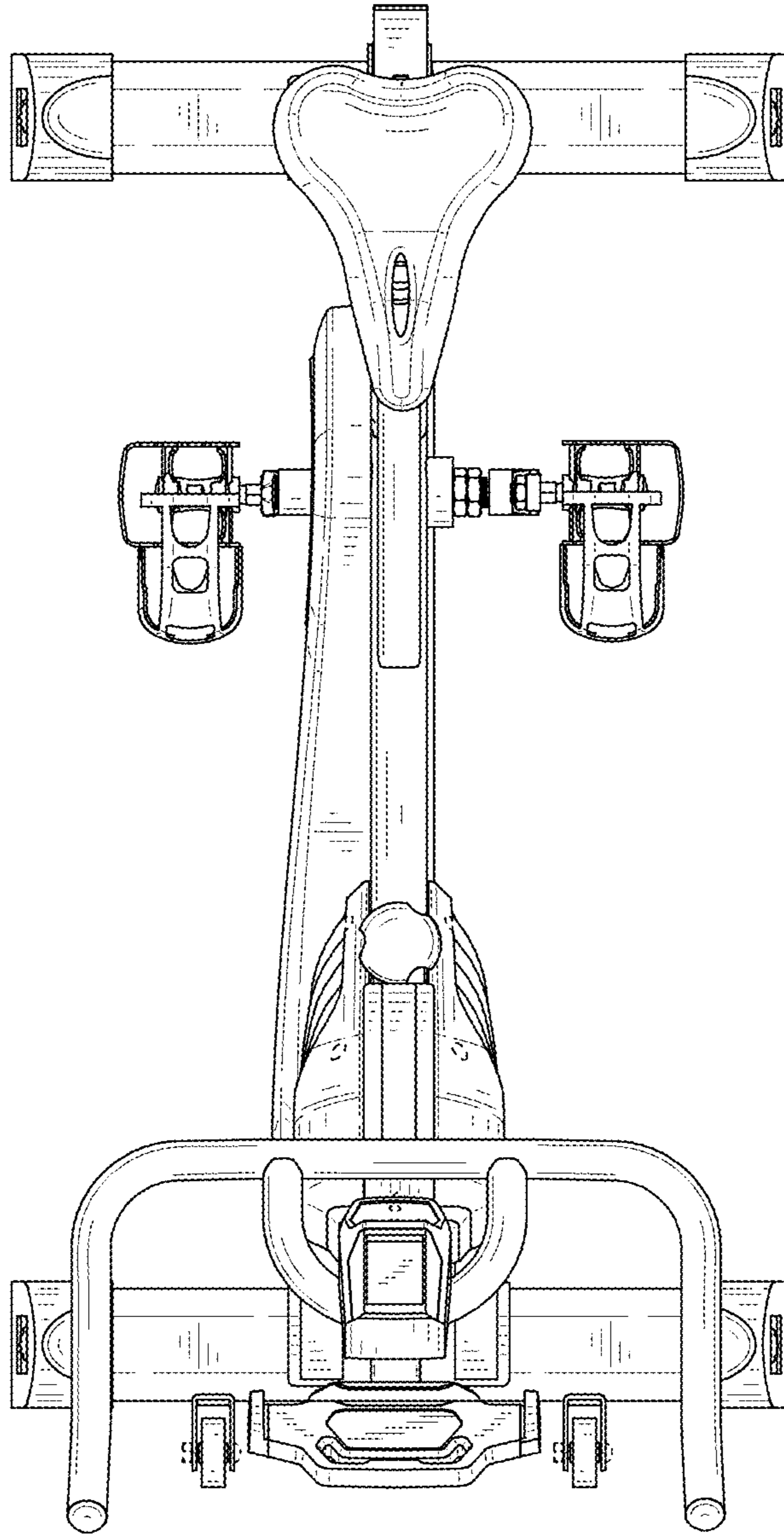


FIG. 7

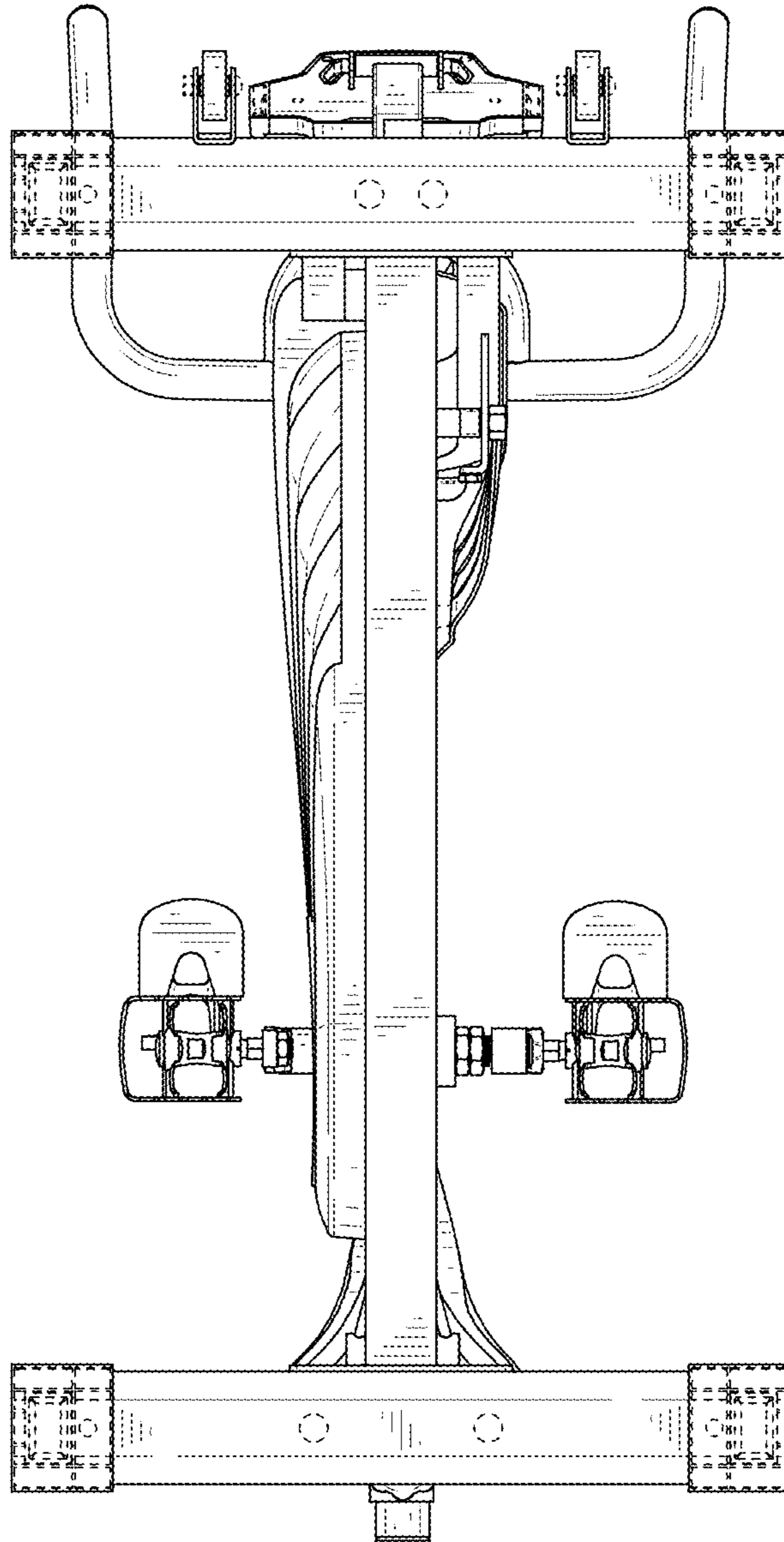


FIG. 8

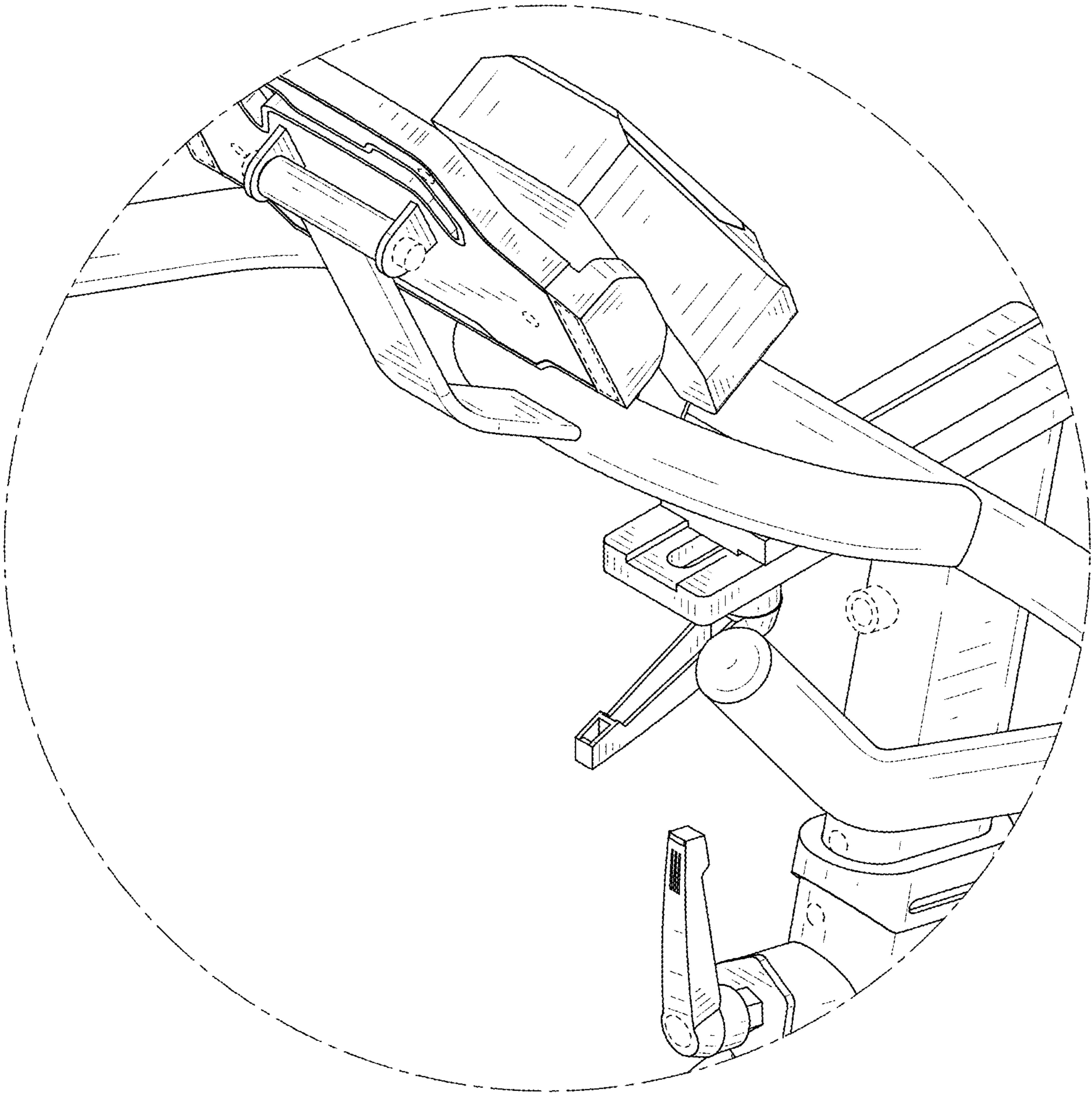


FIG. 9

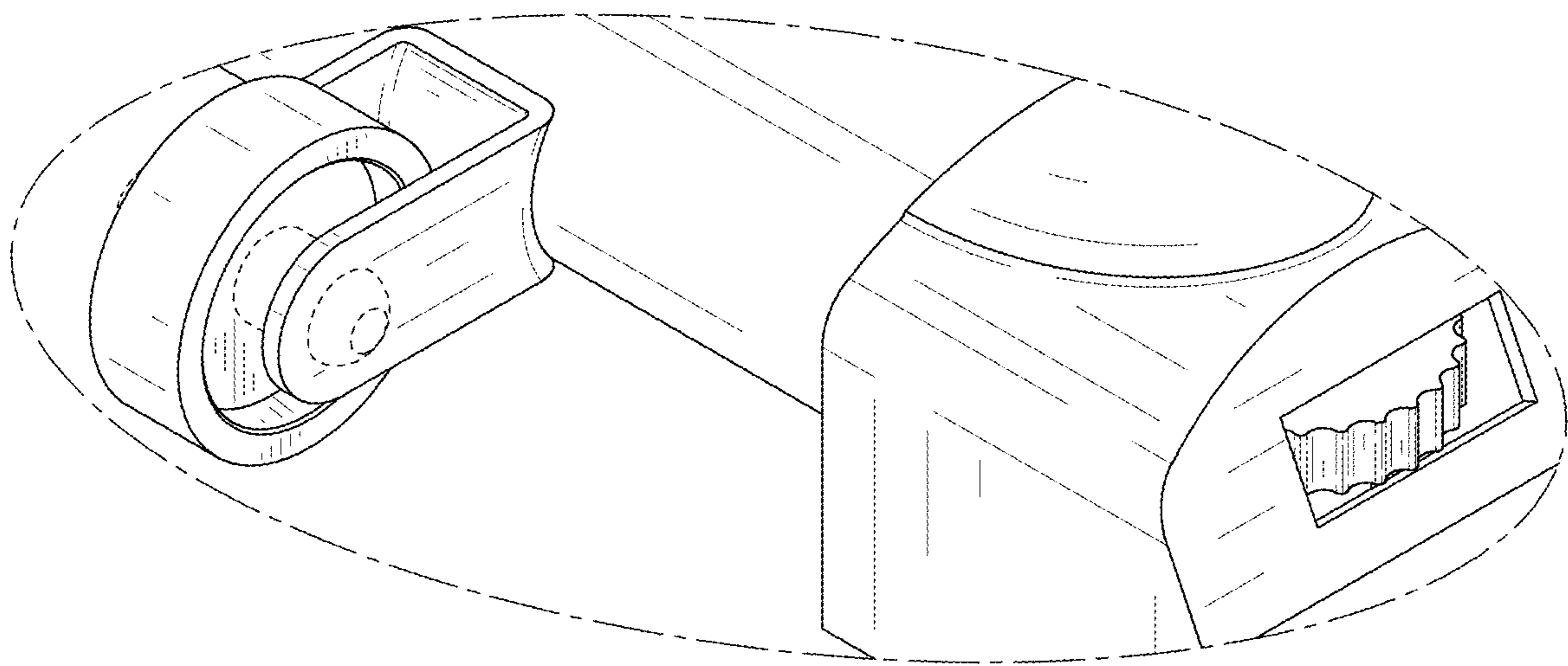


FIG. 10

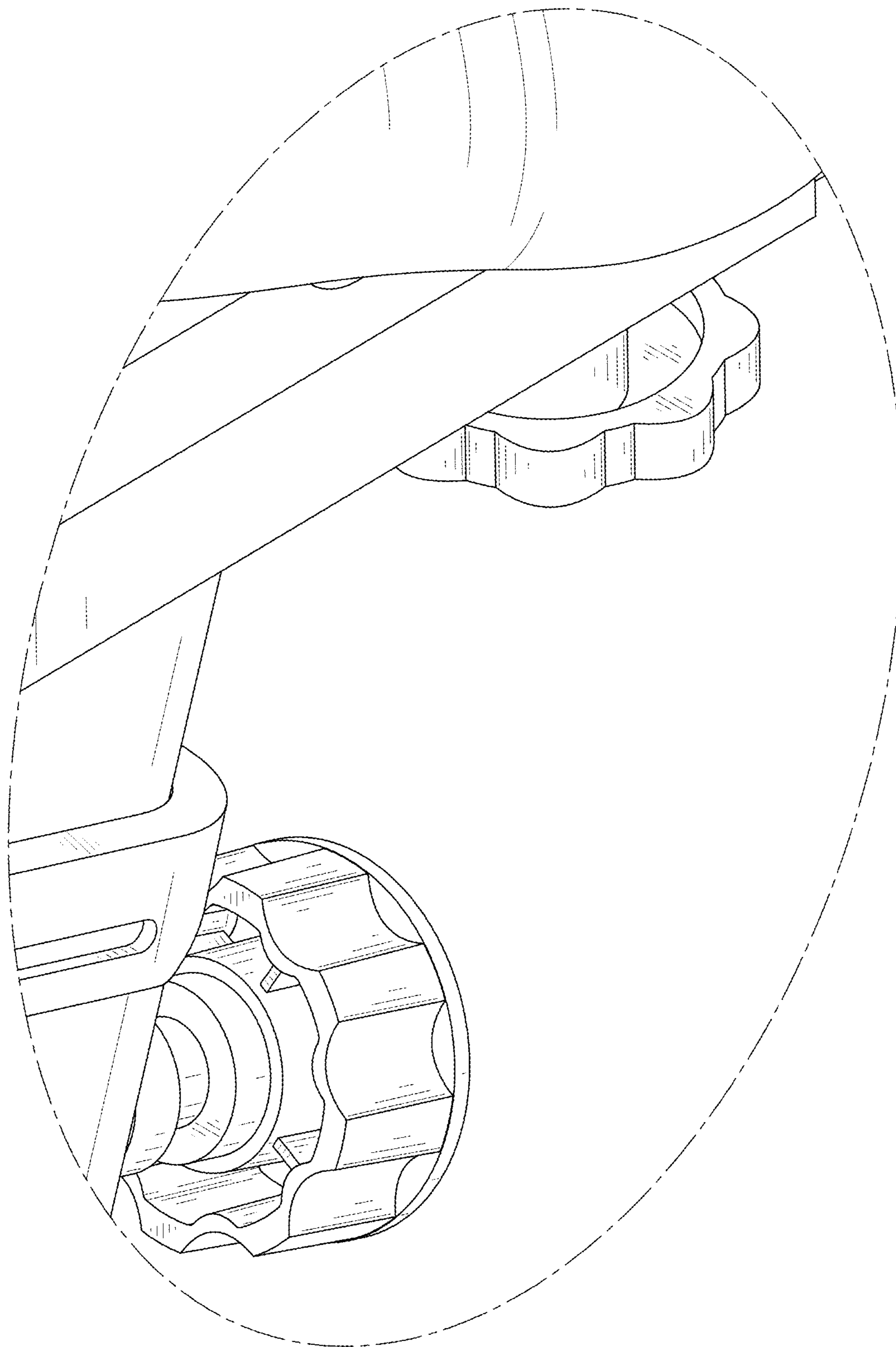


FIG. 11

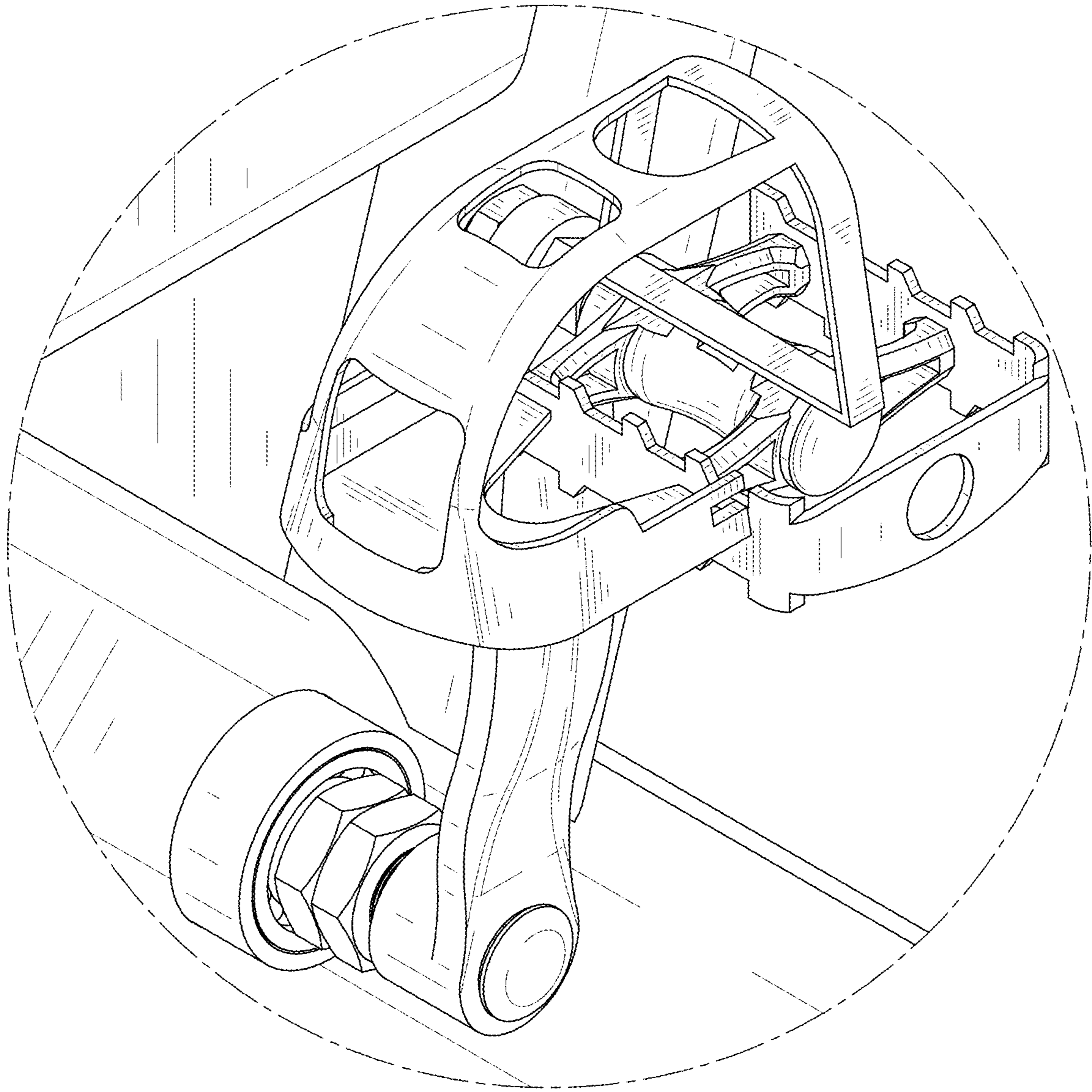


FIG. 12

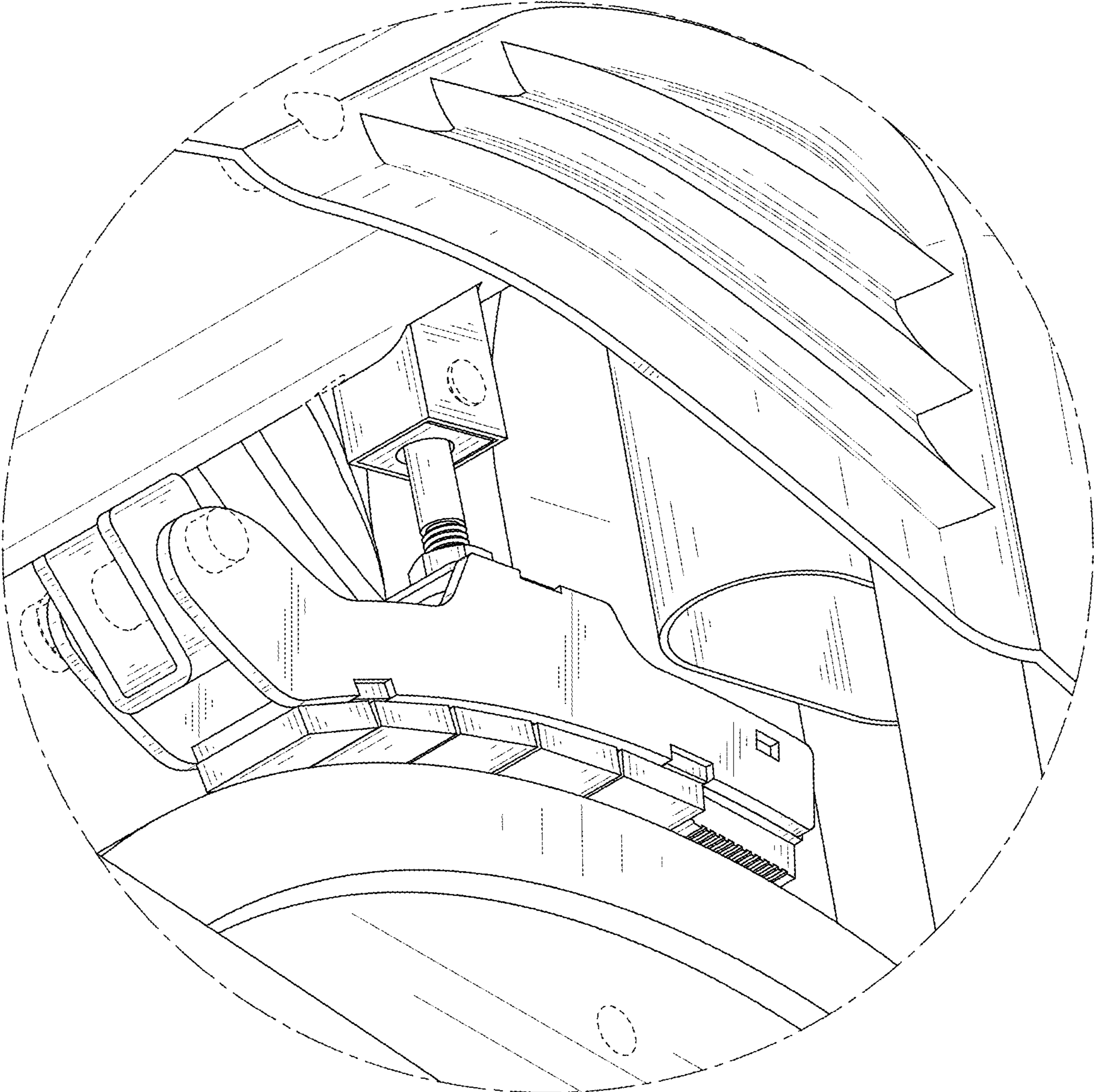


FIG. 13