



US00D983897S

(12) **United States Design Patent** (10) **Patent No.:** **US D983,897 S**
Beck et al. (45) **Date of Patent:** **** Apr. 18, 2023**

(54) **HIP THRUST BELT**

FOREIGN PATENT DOCUMENTS

(71) Applicant: **Believe Pursue LLC**, Los Angeles, CA (US)

JP 2005304917 11/2005
JP 2011196004 10/2011

(72) Inventors: **Brett Andrew Beck**, Los Angeles, CA (US); **Hanna-Greta Kirber Beck**, Los Angeles, CA (US); **Eric Peterson**, Madison, WI (US); **Wang Pai Sheng**, Taiwan (CN)

OTHER PUBLICATIONS

Hip Thrust Belt for Dumbbells Kettlebells, Hip Belt Pad Booty Belt, as shown in www.amazon.com. Web. Sep. 20, 2022, ASIN B0BFW1JY8N. (Year: 2022).*

(Continued)

(73) Assignee: **BELIEVE PURSUE LLC**, Los Angeles, CA (US)

Primary Examiner — Gino Colan
Assistant Examiner — Gregory G McLemore

(**) Term: **15 Years**

(74) *Attorney, Agent, or Firm* — Cislo & Thomas, LLP

(21) Appl. No.: **29/839,670**

(57) **CLAIM**

(22) Filed: **May 23, 2022**

The ornamental design for a hip thrust belt, as shown and described herein.

Related U.S. Application Data

DESCRIPTION

(63) Continuation-in-part of application No. 16/990,920, filed on Aug. 11, 2020, now Pat. No. 11,369,831.

(51) **LOC (14) Cl.** **21-02**

(52) **U.S. Cl.**
USPC **D21/662**

(58) **Field of Classification Search**
USPC 482/105, 124; D21/675, 680, 683, 692, D21/693, 694, 662, 672, 678, 805; D2/627; D24/190; D30/152, 153; 2/311, 312, 321, 322, 338
CPC A63B 21/065; A63B 21/4009; A63B 2209/10; A63B 2210/50; A63B 23/02; A63B 23/0482

See application file for complete search history.

FIG. 1 is a front perspective view of the hip thrust belt, showing our new design, with the belt folded;
FIG. 2 is a rear perspective view thereof;
FIG. 3 is a top plan view thereof; and
FIG. 4 is a bottom plan view thereof
FIG. 5 is a front elevation view thereof;
FIG. 6 is a rear elevation view thereof;
FIG. 7 is a right-side elevation view thereof; and
FIG. 8 is a left-side elevation view thereof.
FIG. 9 is a front perspective view of the hip thrust belt, showing our new design, with the belt unfolded;
FIG. 10 is a top plan view thereof; and
FIG. 11 is a bottom plan view thereof
FIG. 12 is a front elevation view thereof;
FIG. 13 is a rear elevation view thereof;
FIG. 14 is a right-side elevation view thereof; and
FIG. 15 is a left-side elevation view thereof.

The broken lines are for environmental purposes only and form no part of the claimed design.

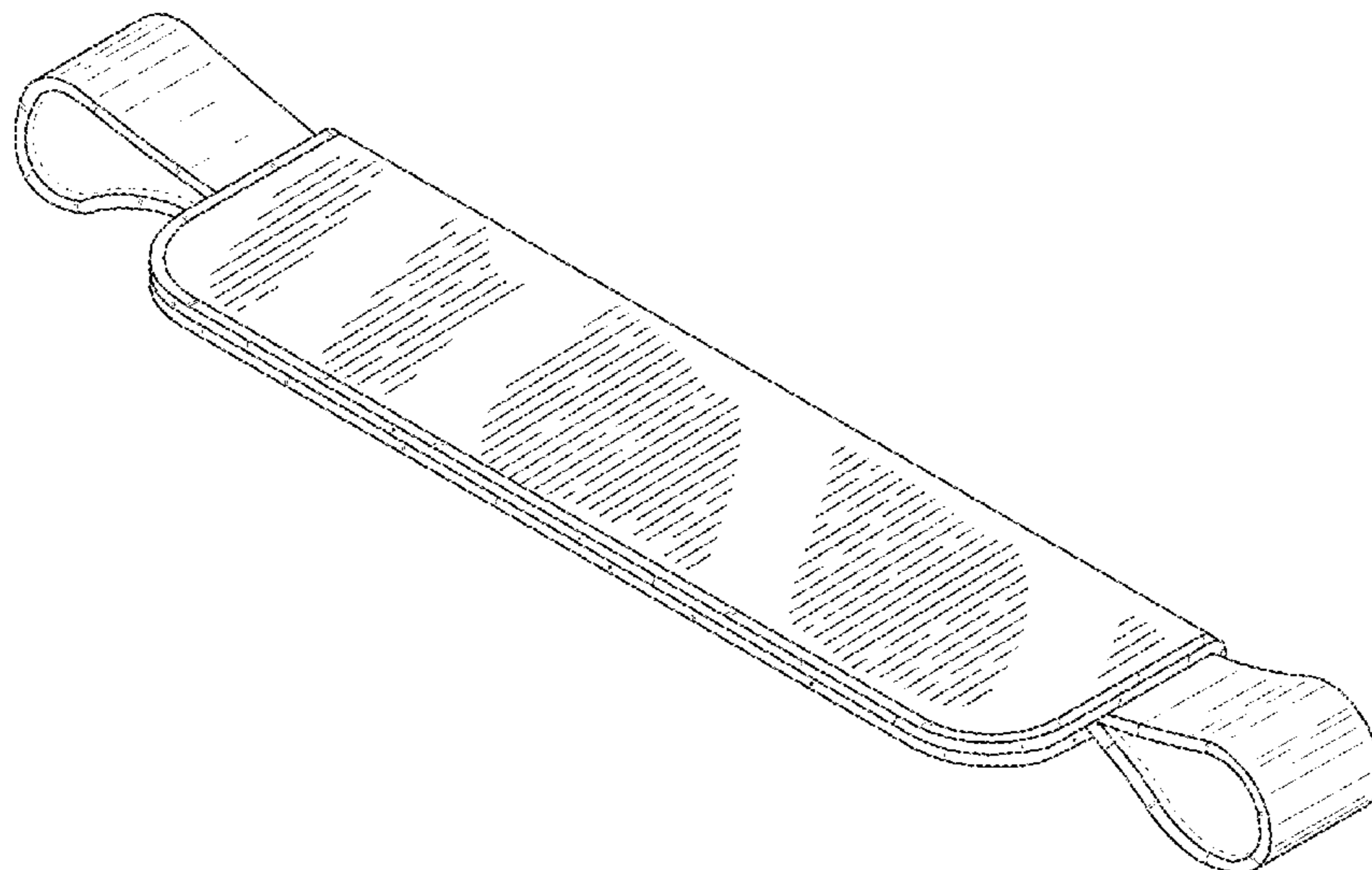
(56) **References Cited**

U.S. PATENT DOCUMENTS

116,904 A 7/1871 Simon
2,613,932 A 10/1952 Manners

(Continued)

1 Claim, 9 Drawing Sheets



(56)

References Cited

U.S. PATENT DOCUMENTS

3,751,031 A 8/1973 Yamauchi
 3,877,426 A 4/1975 Nirschl
 3,910,577 A 10/1975 Boyle
 3,920,008 A 11/1975 Lehman
 4,054,952 A 10/1977 Swallow
 4,120,052 A 10/1978 Butler
 4,273,130 A 6/1981 Simpson
 4,303,239 A 12/1981 Walsh, Jr.
 4,351,526 A 9/1982 Schwartz
 4,572,167 A 2/1986 Brunswick
 4,621,648 A 11/1986 Ivany
 4,706,957 A 11/1987 Jackson
 4,815,731 A 3/1989 Suarez et al.
 4,829,989 A 5/1989 Deamer et al.
 4,833,730 A 5/1989 Nelson
 4,911,432 A 3/1990 Walden
 4,964,401 A 10/1990 Taigen
 4,968,027 A 11/1990 Anderson
 4,984,786 A 1/1991 Lemke et al.
 5,036,864 A 8/1991 Yewer
 5,046,488 A 9/1991 Schiek
 5,096,190 A 3/1992 Montgomery
 5,102,123 A 4/1992 Roark
 5,105,806 A 4/1992 Woodhouse et al.
 5,147,261 A 9/1992 Smith et al.
 5,147,267 A 9/1992 Kunewalder
 5,158,510 A 10/1992 Lemire
 5,244,206 A 9/1993 Clark et al.
 5,279,386 A 1/1994 Cearley
 5,316,022 A 5/1994 Schiek
 5,334,134 A 8/1994 Saunders
 5,372,575 A 12/1994 Sebastian
 5,465,428 A 11/1995 Earl
 5,528,771 A 6/1996 Yudin
 5,529,556 A 6/1996 Segarra
 5,548,843 A 8/1996 Chase et al.
 5,586,969 A 12/1996 Yewer
 5,591,122 A 1/1997 Yewer
 5,693,006 A 12/1997 Slautterback
 5,711,747 A 1/1998 Steinback
 5,728,056 A 3/1998 Seriguchi et al.
 5,769,808 A 6/1998 Matthijs et al.
 5,797,823 A 8/1998 Gouvis, II
 5,820,575 A 10/1998 Cabrera et al.
 5,997,494 A 12/1999 Watkins et al.
 D422,709 S 4/2000 Caswell
 6,053,883 A 4/2000 Schiek
 6,099,490 A 8/2000 Turtzo
 D437,623 S 2/2001 Ormsby
 6,336,908 B1 1/2002 Slautterback
 6,419,652 B1 7/2002 Slautterback

D464,686 S 10/2002 Silveira et al.
 6,551,221 B1 4/2003 Marco
 6,585,673 B1 7/2003 Bass
 D516,638 S 3/2006 Felberg et al.
 7,077,794 B1 7/2006 Bray
 D550,852 S * 9/2007 Hoffman D24/206
 D566,797 S 4/2008 Yewdall
 7,426,754 B2 9/2008 Chun et al.
 7,520,844 B1 4/2009 Flynn
 D609,758 S 2/2010 Baldwin
 7,744,510 B1 6/2010 Chen et al.
 D631,924 S 2/2011 Baldwin
 7,931,571 B2 4/2011 Bernardoni
 8,357,076 B2 1/2013 Blank
 D753,244 S 4/2016 Hovey
 D788,859 S 6/2017 Virtusio
 D789,546 S * 6/2017 Matfus D24/190
 D789,683 S 6/2017 Bartlett et al.
 9,931,532 B2 4/2018 Castaneda
 9,931,536 B2 4/2018 Azevedo et al.
 D829,286 S 9/2018 Bae
 D831,221 S * 10/2018 Smith D24/190
 D883,502 S * 5/2020 Dubbe D24/206
 11,369,831 B2 6/2022 Beck et al.
 D957,653 S 7/2022 Coughlan et al.
 D965,704 S * 10/2022 Karvandi D21/662
 D967,303 S * 10/2022 Coughlan D21/694
 D967,444 S 10/2022 Fu
 2005/0065000 A1 3/2005 Reinhart
 2009/0247369 A1 10/2009 Chang
 2010/0062911 A1 3/2010 Stone et al.
 2016/0167833 A1 6/2016 De Cordova
 2017/0326403 A1 11/2017 Castaneda
 2019/0116904 A1 4/2019 Popoca Perez
 2019/0282885 A1 9/2019 Popenhagen
 2021/0322823 A1 10/2021 Schmidt
 2022/0088433 A1 * 3/2022 Panesso Ramirez
 A63B 21/00069
 2022/0219042 A1 * 7/2022 Payan A63B 21/028

OTHER PUBLICATIONS

Bellabooty Exercise Hip Thrust Belt, as shown in www.amazon.com. Web. Aug. 13, 2022. ASIN B0B77PW18B. (Year: 2022).*
 1Pc Hip Thrust Belt for Dumbbell Kettlebell Glute Bridges Booty Belt Pad Hip Thrust Machine Great for Butt Workout Squats Lunges, as shown in www.aliexpress.com. Sep. 11, 2022. (Year: 2022).*
 Tazemat Hip Thrust Belt, Booty Belt for Hip Thrust, Hip Belt Pad for Glute Bridge Butt Workout for Lunges Reverse Squat. as shown in www.walmart.com, Aug. 29, 2022. (Year: 2022).*

* cited by examiner

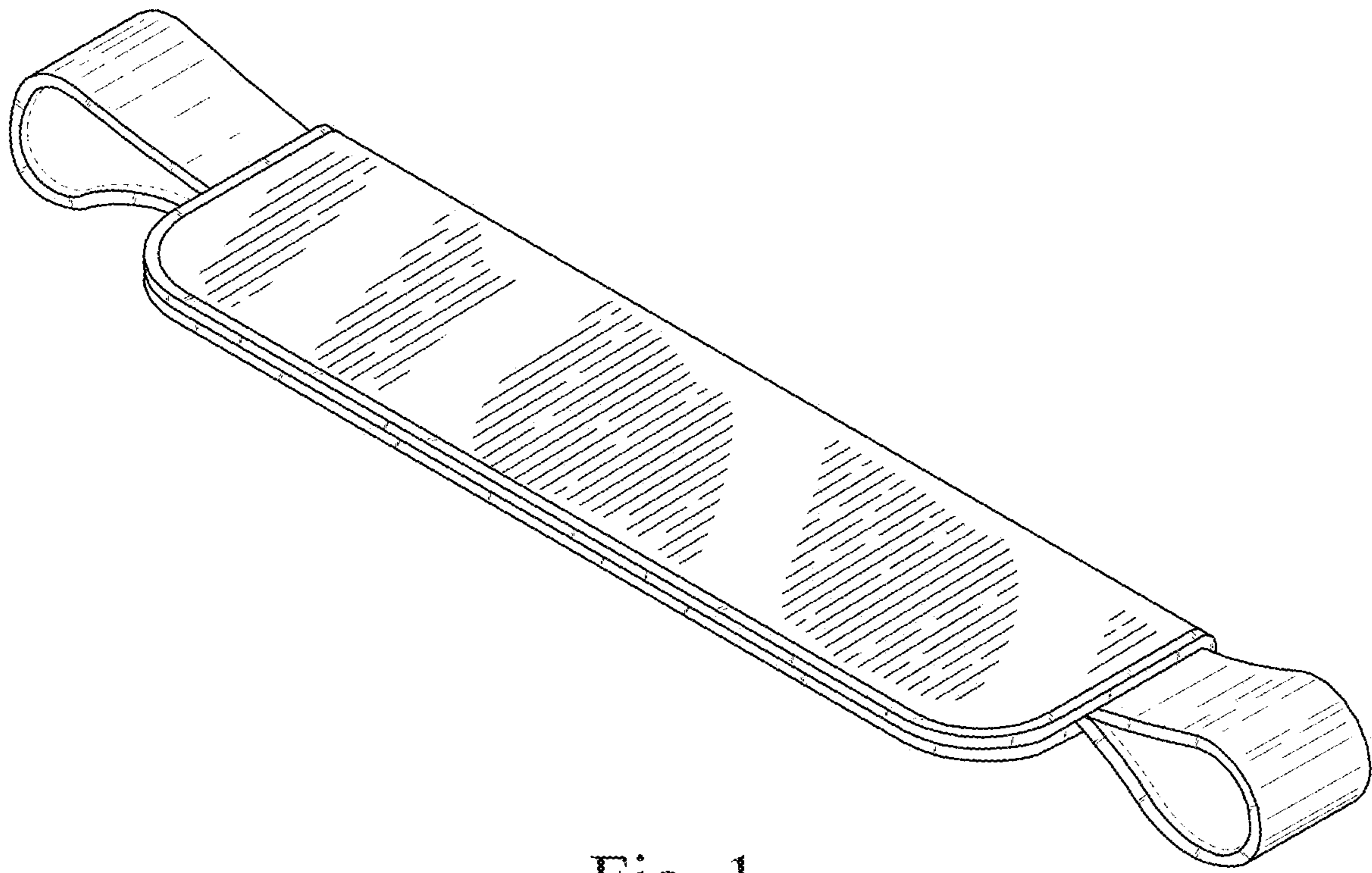


Fig. 1

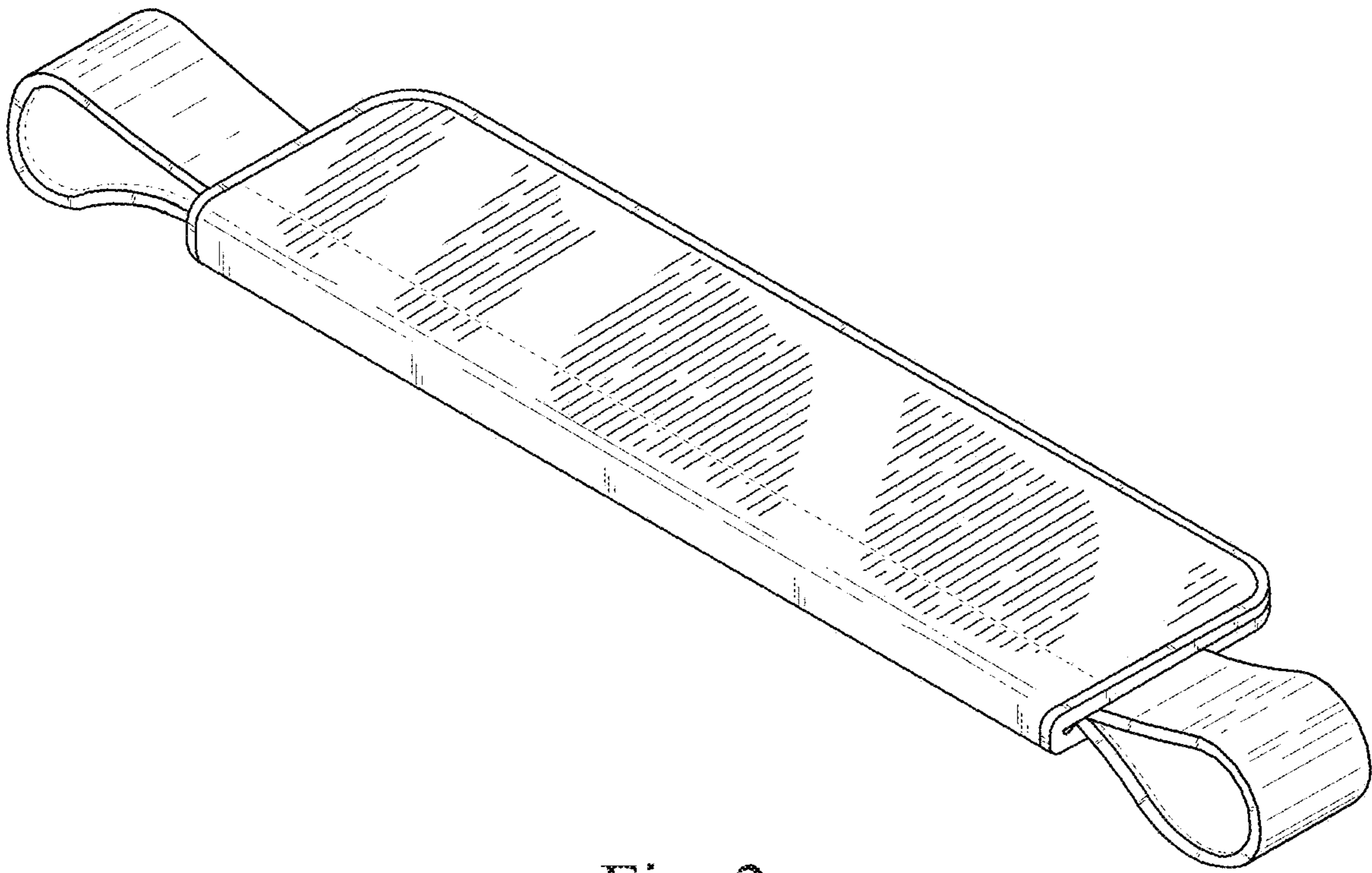


Fig. 2

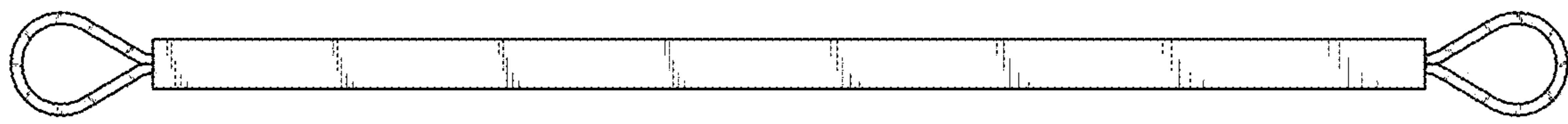


Fig. 3

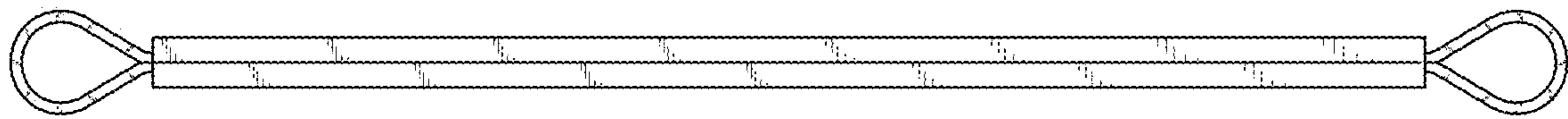


Fig. 4

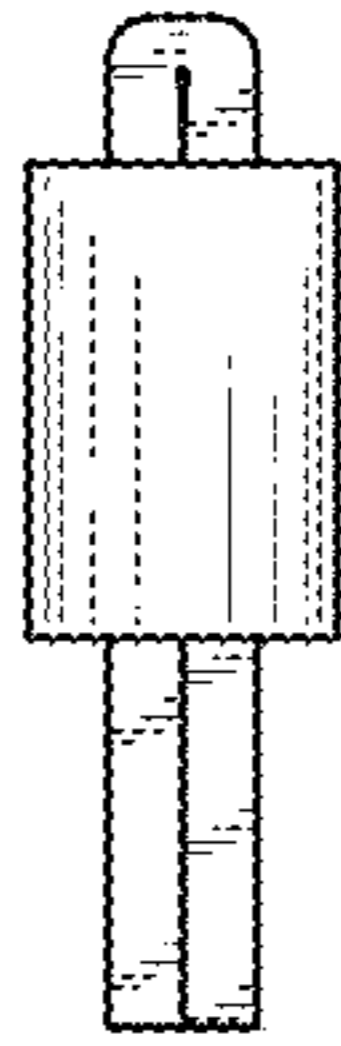


Fig. 5



Fig. 6

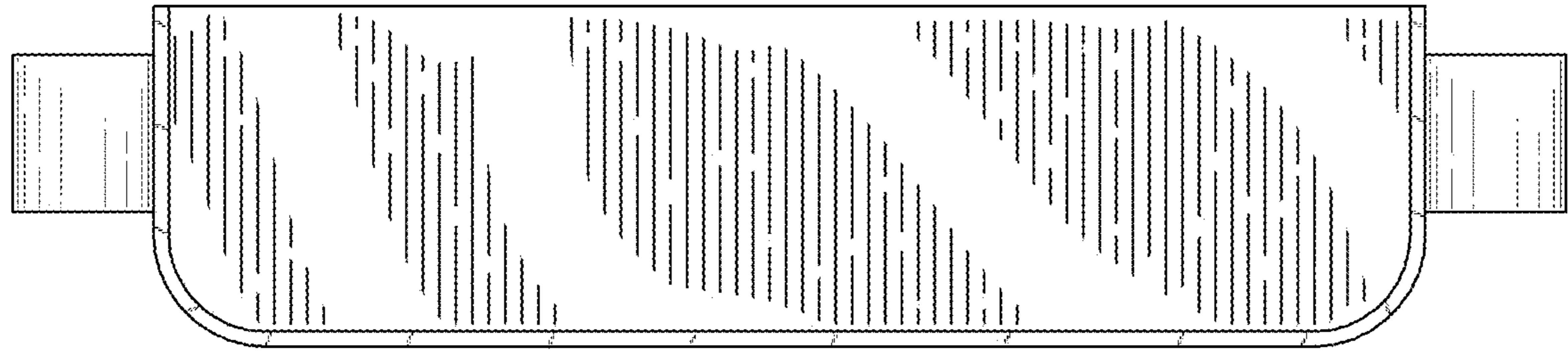


Fig. 7

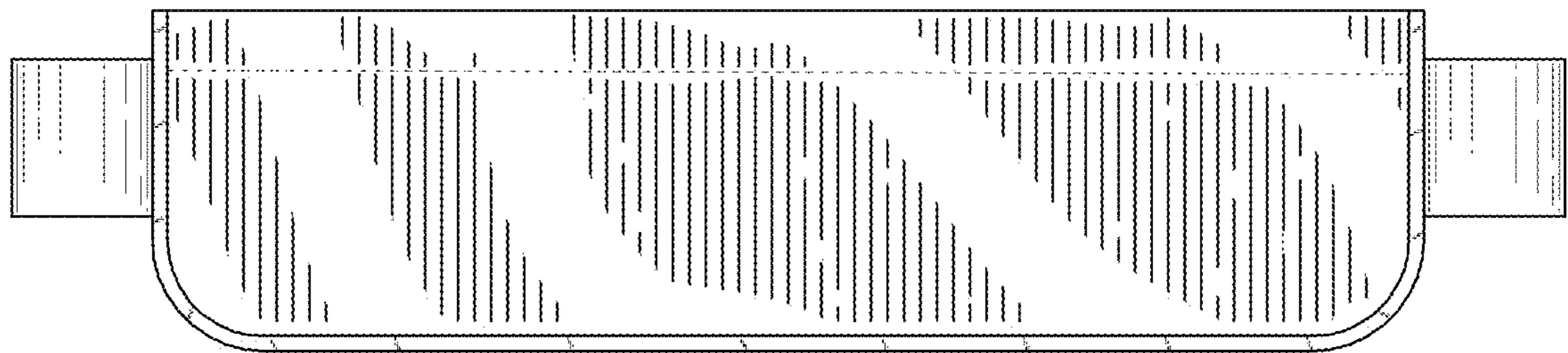


Fig. 8

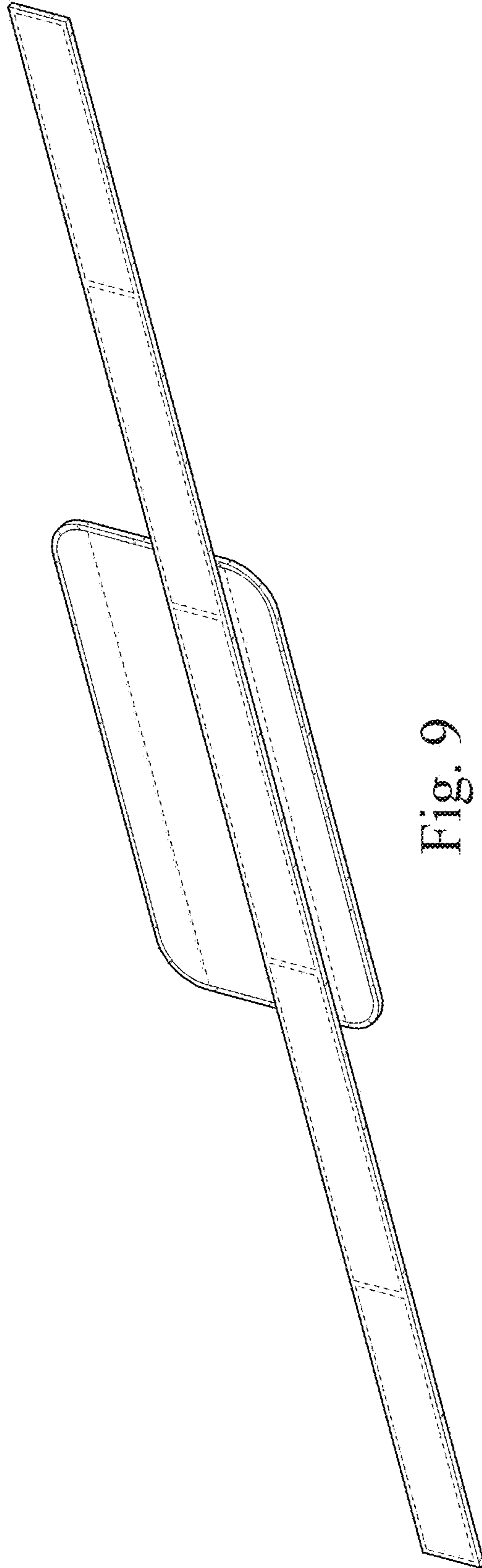


Fig. 9

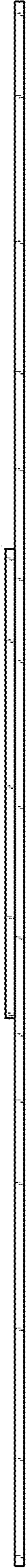


Fig. 10

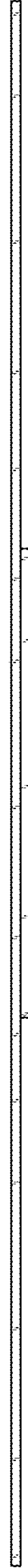


Fig. 11



Fig. 12

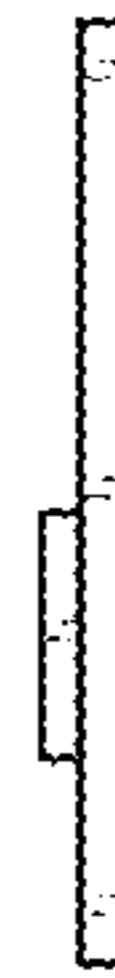


Fig. 13

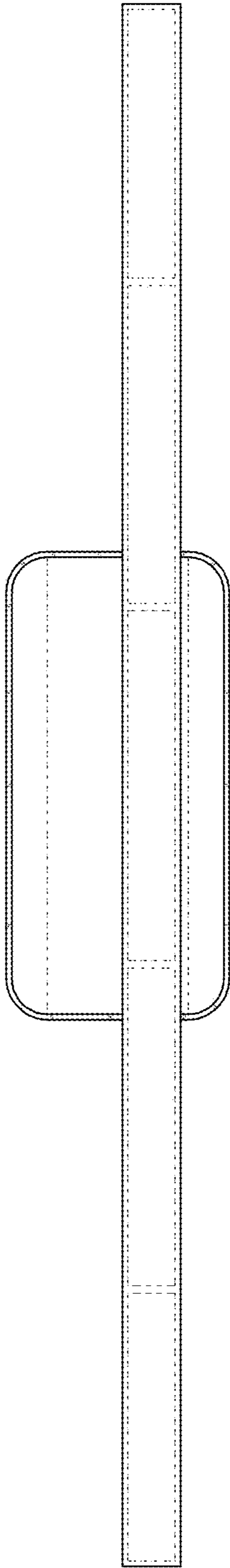


Fig. 14

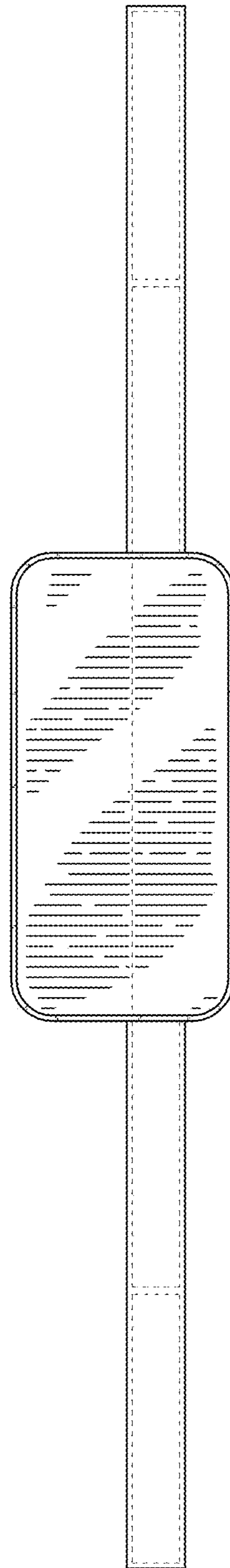


Fig. 15