



US00D983896S

(12) **United States Design Patent** (10) **Patent No.:** **US D983,896 S**  
**Guo** (45) **Date of Patent:** **\*\* Apr. 18, 2023**

(54) **OVEN TOY**  
(71) Applicant: **Zihong Guo**, Guangdong (CN)  
(72) Inventor: **Zihong Guo**, Guangdong (CN)  
(\*\*) Term: **15 Years**  
(21) Appl. No.: **29/841,112**  
(22) Filed: **Jun. 2, 2022**

D372,058 S 7/1996 Yang  
6,048,251 A \* 4/2000 Klitsner ..... A63H 33/003  
D21/524  
D443,172 S \* 6/2001 Taira ..... D7/351  
D465,696 S \* 11/2002 Taira ..... D7/351  
D473,600 S 4/2003 Khasminsky  
D486,533 S 2/2004 Morris  
D525,477 S \* 7/2006 Kim ..... D7/351  
D528,371 S \* 9/2006 de Groote ..... D7/698  
D560,421 S \* 1/2008 Davis ..... D7/348  
D640,499 S \* 6/2011 King ..... D7/348  
D646,111 S \* 10/2011 Kim ..... D7/348  
D650,172 S \* 12/2011 Ziegler ..... D3/271.1

(Continued)

(30) **Foreign Application Priority Data**

Apr. 14, 2022 (CN) ..... 202230209191.8

(51) **LOC (14) Cl.** ..... **21-01**

(52) **U.S. Cl.**  
USPC ..... **D21/610**; D21/524

(58) **Field of Classification Search**  
USPC ..... D21/398, 576, 584, 604, 605, 523, 524,  
D21/525, 610; D11/158; D6/601, 589,  
D6/304; D7/350.2, 301, 351, 539, 604,  
D7/606, 609, 613, 619.2, 628, 710, 348;  
D9/607  
CPC ..... A63H 2200/00; A63H 3/00; A63H 3/16;  
A63H 3/28; A63H 3/005; A63H 33/00;  
A63H 3/52; A63H 33/3022; A63H 33/30;  
A63H 33/3055

See application file for complete search history.

(56) **References Cited**

**U.S. PATENT DOCUMENTS**

D206,712 S \* 1/1967 Raiford ..... D6/351  
D256,599 S \* 8/1980 D'Aguanno ..... D21/576  
D260,104 S 8/1981 Klawitter  
D260,274 S 8/1981 Appel  
D265,125 S \* 6/1982 Jordan ..... 220/908  
D273,028 S \* 3/1984 Finney ..... D21/610  
D282,942 S 3/1986 Hartelius  
D303,691 S 9/1989 Wehmeyer  
D317,476 S \* 6/1991 Stephensen ..... D21/576

**OTHER PUBLICATIONS**

Stapaw Toy Microwave Kitchen Set with Sound Light. Date First Available: Mar. 24, 2022. Retrieved from internet: <<https://www.amazon.com.au/STAPAW-Pretend-Microwave-Kitchen-Changing/dp/B09WDK6MMM>> [site visited Aug. 25, 2022] (Year: 2022).\*

(Continued)

*Primary Examiner* — Katherine Glennon  
*Assistant Examiner* — Yuan Yuan

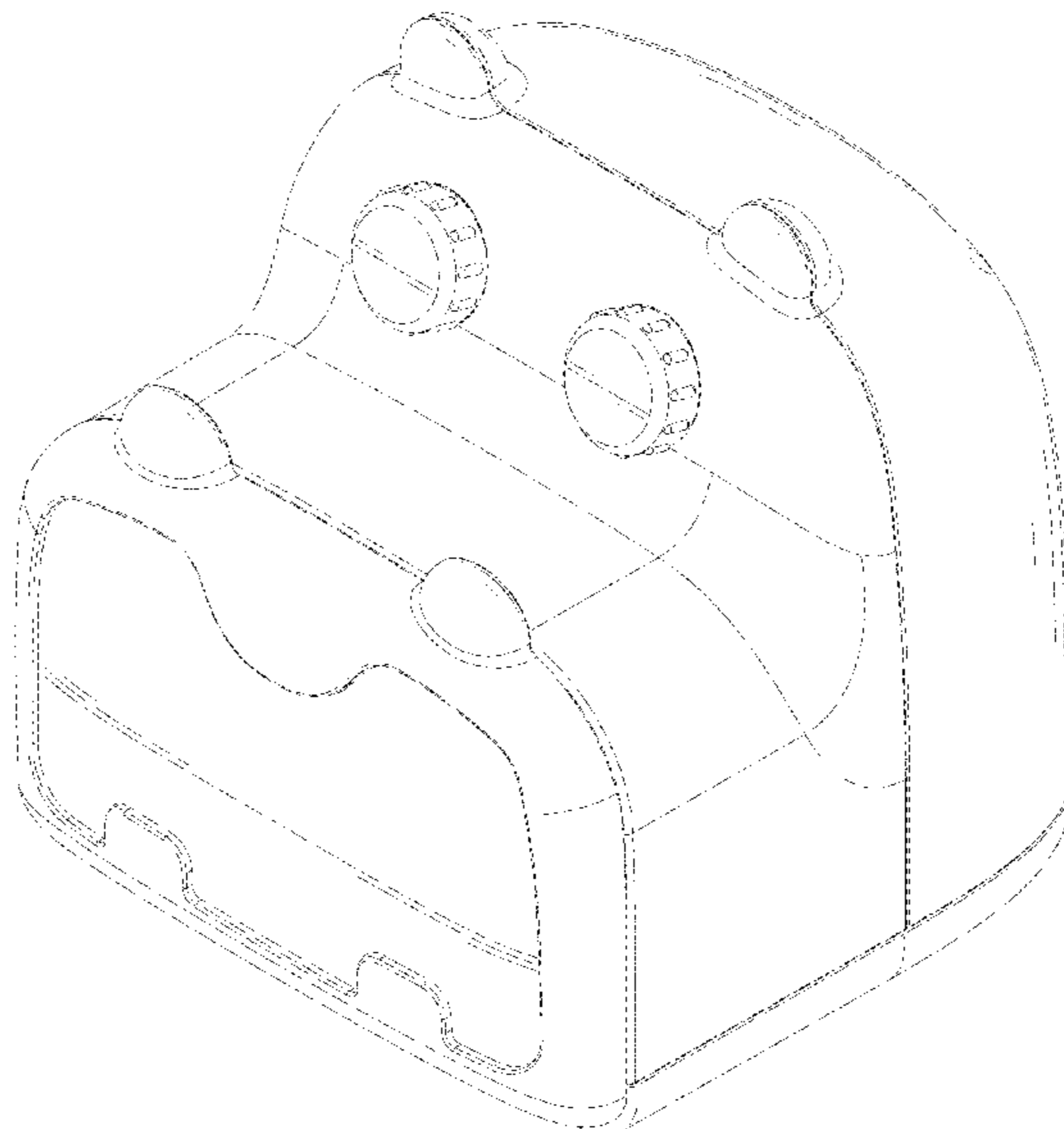
(57) **CLAIM**

The ornamental design for an oven toy, as shown and described.

**DESCRIPTION**

FIG. 1 is a perspective view of an oven toy, showing my new design;  
FIG. 2 is another perspective view thereof when being used;  
FIG. 3 is a front elevational view thereof;  
FIG. 4 is a rear elevational view thereof;  
FIG. 5 is a left elevational view thereof;  
FIG. 6 is a right elevational view thereof;  
FIG. 7 is a top plan view thereof; and,  
FIG. 8 is a bottom plan view thereof.

**1 Claim, 8 Drawing Sheets**



(56)

**References Cited**

U.S. PATENT DOCUMENTS

D687,607 S \* 8/2013 Yueh ..... D32/21  
D722,805 S \* 2/2015 Banos ..... D24/198  
D737,623 S \* 9/2015 Hu ..... D7/351  
D849,466 S \* 5/2019 Formisano ..... D7/348  
D881,632 S \* 4/2020 Ye ..... D7/348  
D888,489 S \* 6/2020 Thorogood ..... D7/350.4

OTHER PUBLICATIONS

Pretend Play Kitchen Accessories Set Kitchen Toys. Earliest Review  
Date: Jul. 31, 2022. Retrieved from internet: <<https://www.amazon.com/Pretend-Play-Kitchen-Accessories-Toys/dp/B09WH2S87T/>> [site visited Aug. 25, 2022] (Year: 2022).\*

\* cited by examiner

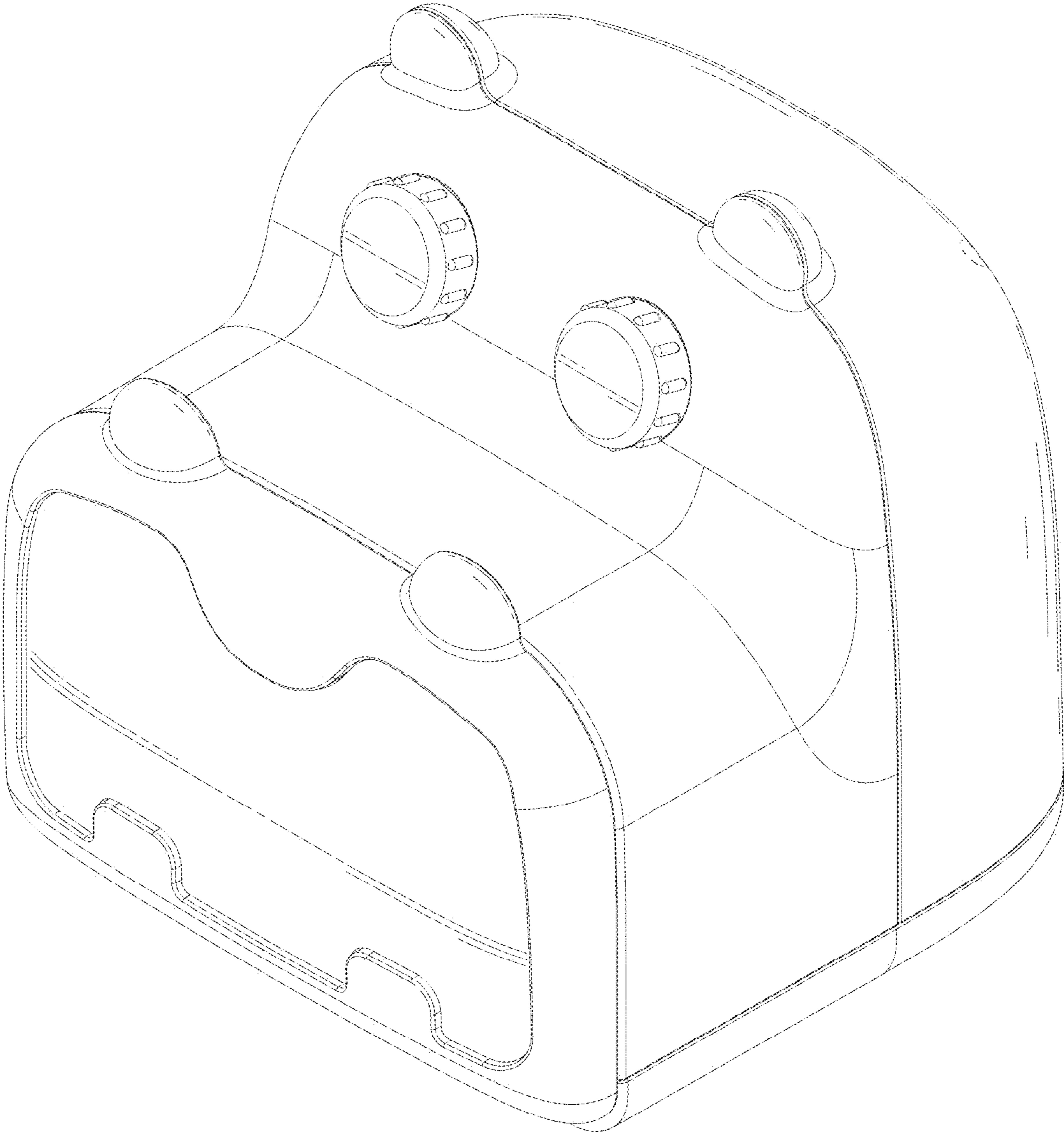


FIG.1

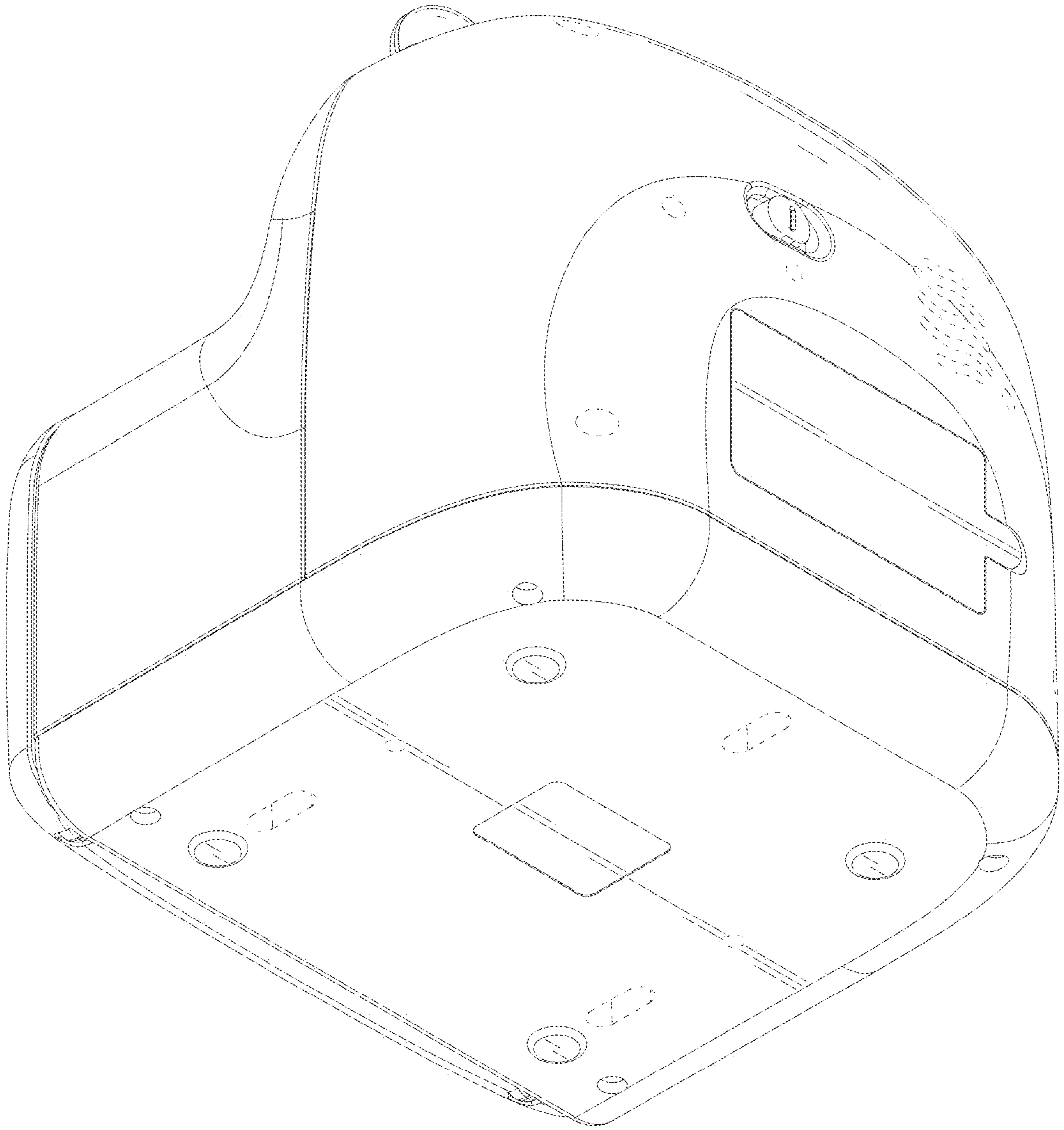


FIG.2

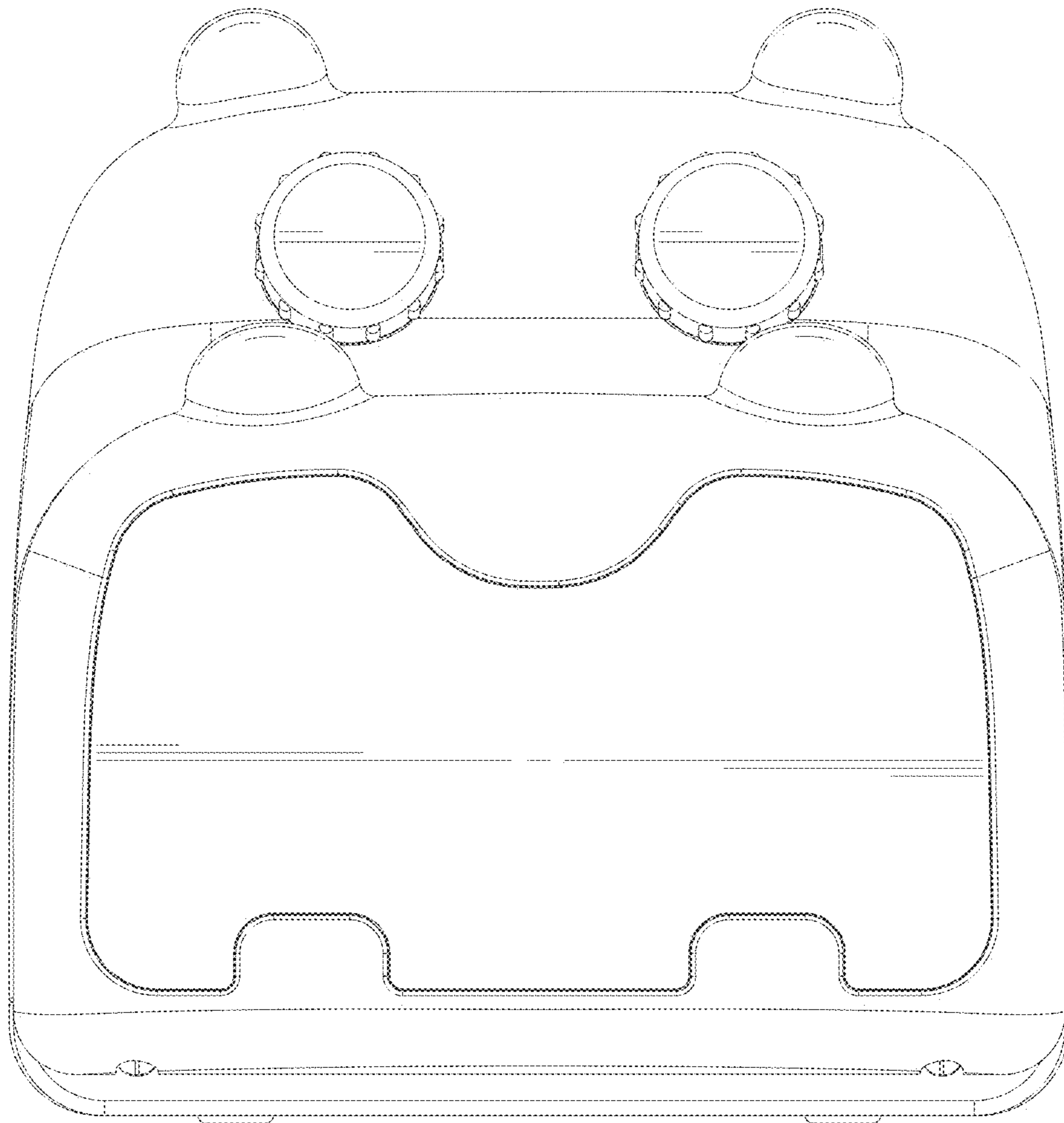


FIG.3

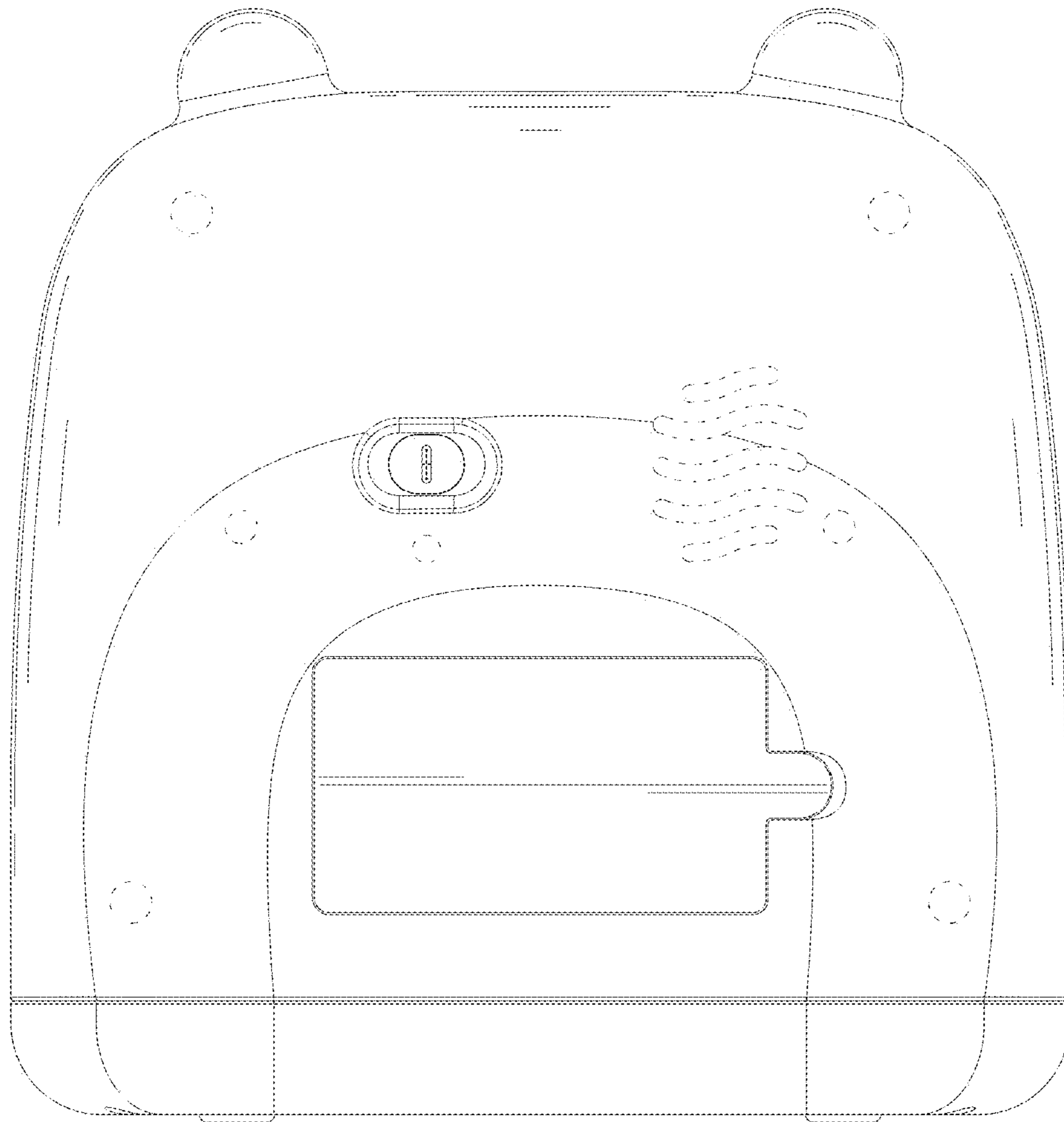


FIG.4

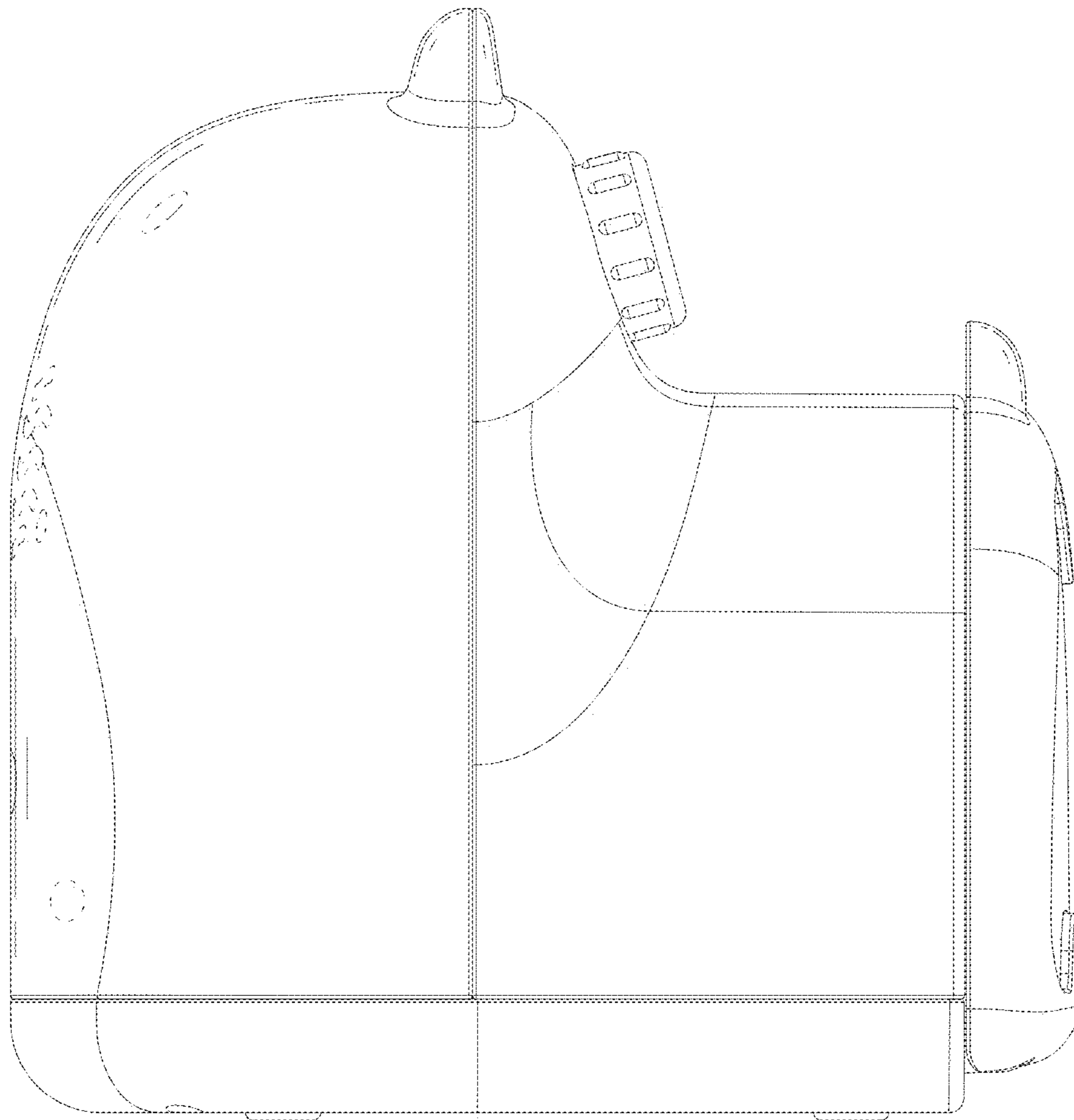


FIG. 5

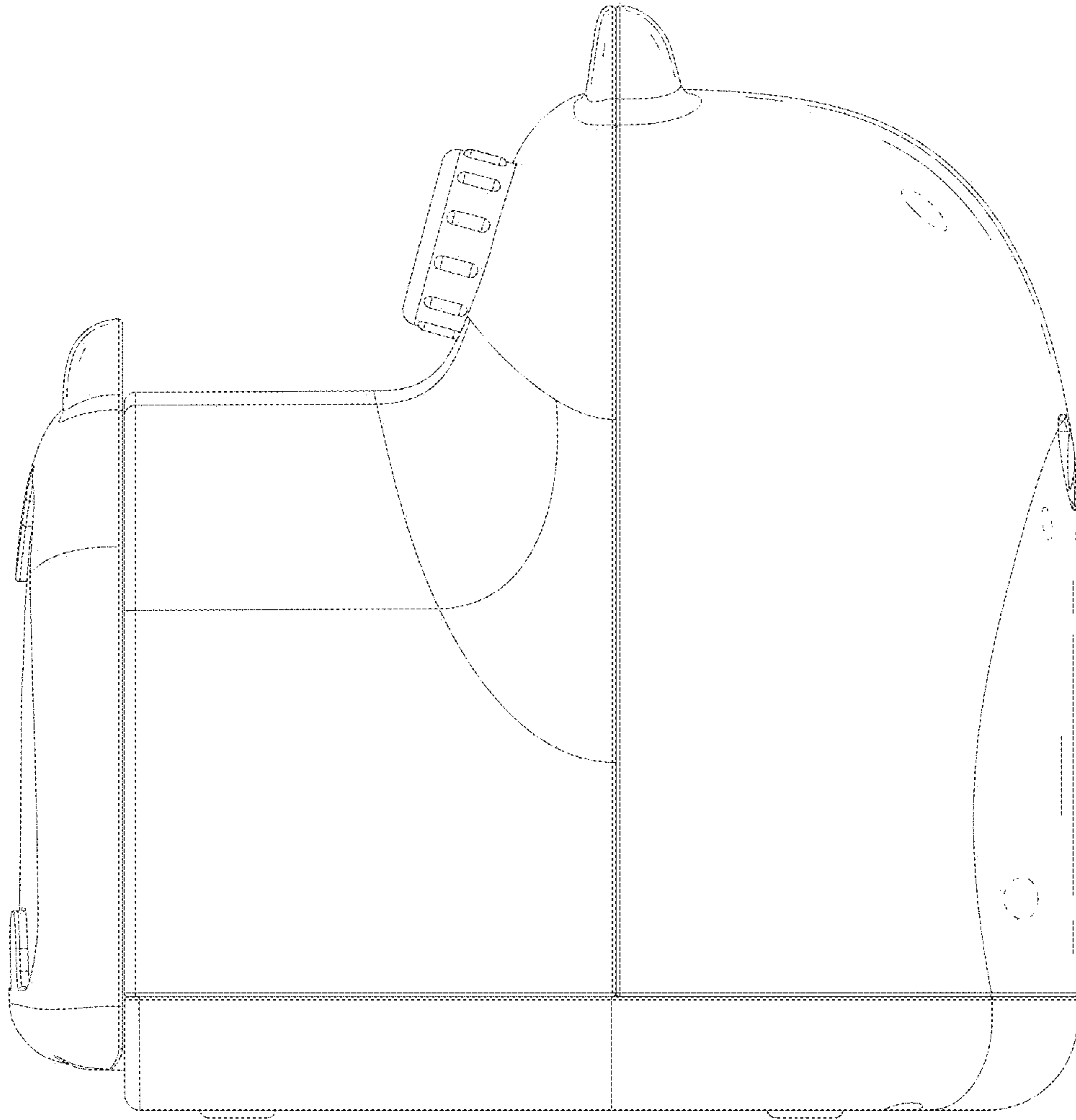


FIG.6



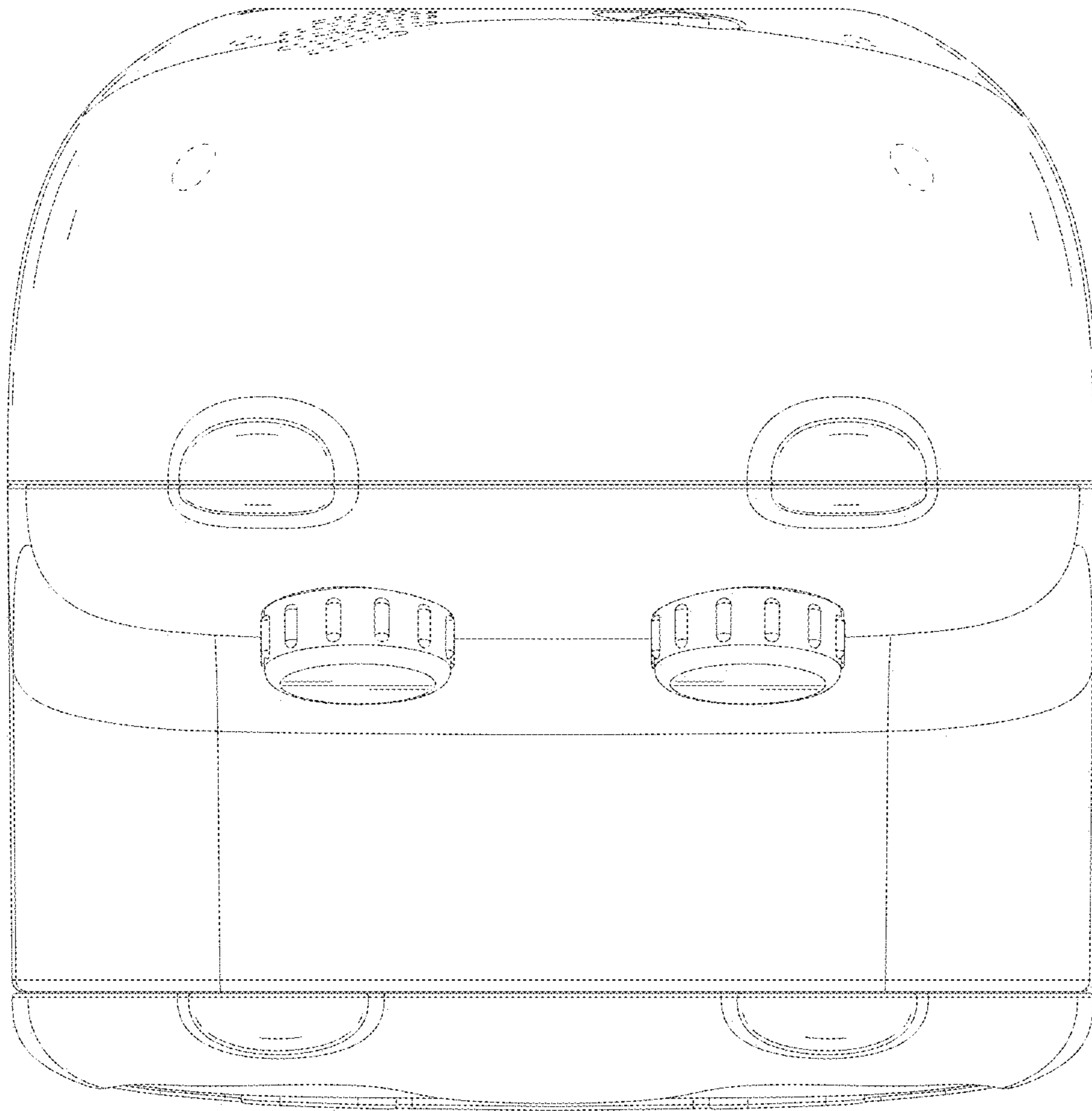


FIG. 7

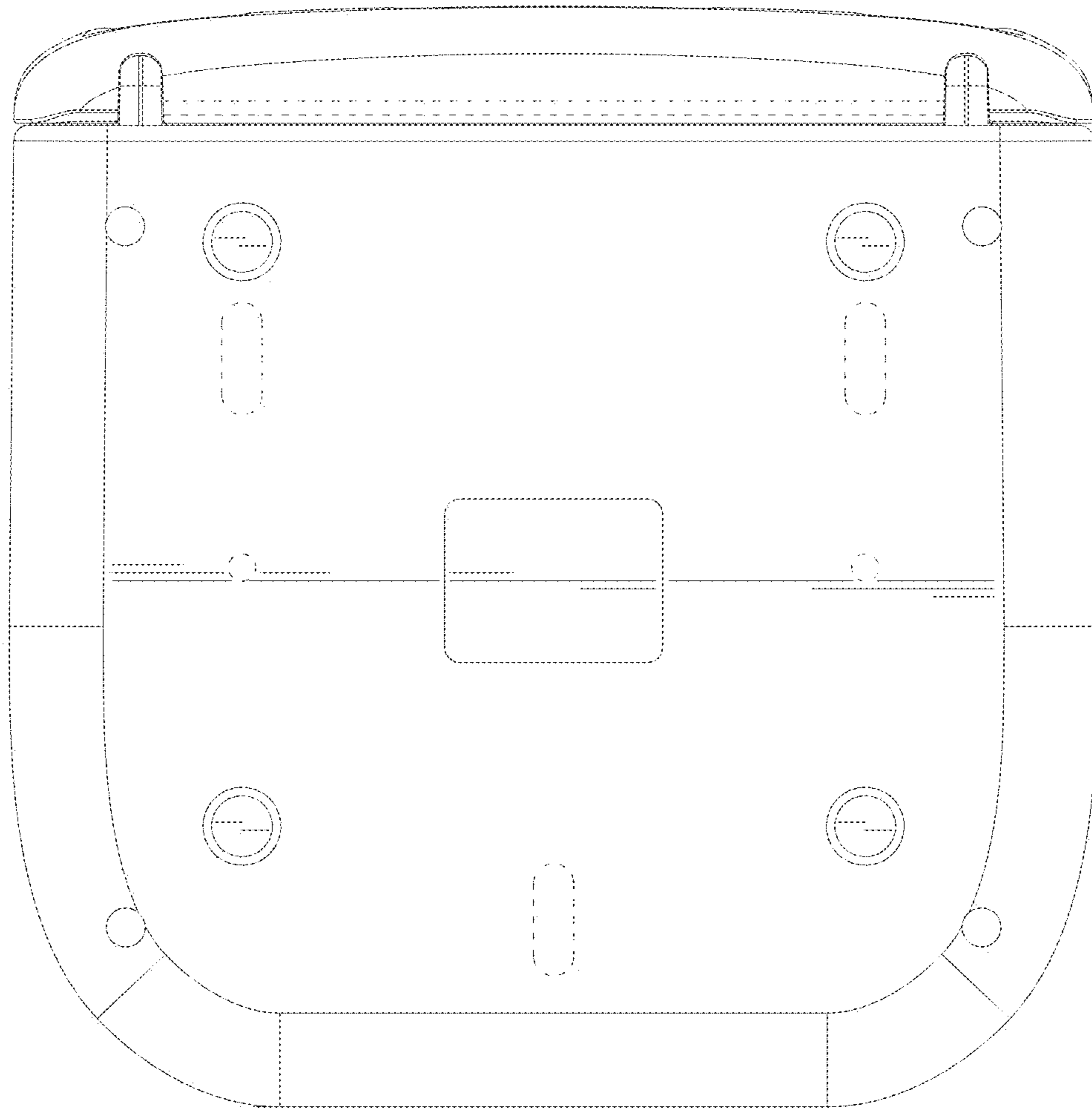


FIG.8