



US00D983894S

(12) **United States Design Patent** (10) **Patent No.:** **US D983,894 S**
Guo (45) **Date of Patent:** **** Apr. 18, 2023**

(54) **WHALE TOASTER TOY**
(71) Applicant: **Zihong Guo**, Guangdong (CN)
(72) Inventor: **Zihong Guo**, Guangdong (CN)
(**) Term: **15 Years**
(21) Appl. No.: **29/841,114**
(22) Filed: **Jun. 2, 2022**

D384,543 S * 10/1997 Pena Angarita D7/330
D396,165 S * 7/1998 Pena Angarita D7/330
D403,239 S * 12/1998 Ying D21/597
D411,406 S * 6/1999 Saltet D7/330
D431,147 S * 9/2000 Lin D7/330
D441,816 S * 5/2001 Welch D21/597
D441,817 S * 5/2001 Welch D21/597
D460,655 S * 7/2002 Piret D7/330
D521,306 S * 5/2006 Boyle D7/330
D525,817 S * 8/2006 Brown D7/330
D619,843 S 7/2010 Noren et al.

(Continued)

(30) **Foreign Application Priority Data**

Apr. 14, 2022 (CN) 202230209180.X

(51) **LOC (14) Cl.** **21-01**

(52) **U.S. Cl.**
USPC **D21/597**; D21/524

(58) **Field of Classification Search**
USPC D21/398, 576, 584, 604, 605, 523, 524,
D21/525, 599, 597; D11/158; D6/304;
D7/301, 604, 606, 613, 619.2, 628, 710,
D7/390, 328, 411, 330; D9/607, 606,
D9/601

CPC A63H 2200/00; A63H 3/00; A63H 3/16;
A63H 3/28; A63H 3/005; A63H 33/00;
A63H 3/52; A63H 33/3022; A63H 33/30;
A63H 33/3055

See application file for complete search history.

(56) **References Cited**

U.S. PATENT DOCUMENTS

D153,426 S * 4/1949 Ganine D21/599
D227,581 S * 7/1973 Cherk et al. D21/599
3,765,120 A * 10/1973 Waak A63H 33/30
446/481
D245,804 S 9/1977 Cone
D308,084 S * 5/1990 Smith D21/599
D313,460 S * 1/1991 Boucher D21/597
D362,992 S * 10/1995 Alessi Anghini D7/328
D372,057 S 7/1996 Yang
D384,541 S * 10/1997 Pena Angarita D7/330

OTHER PUBLICATIONS

Stapaw Toaster Toys Kitchen Set for Kids. Amazon.cn shelf time:
Apr. 17, 2022. Retrieved from internet: <<https://www.amazon.cn/STAPAW-Toaster-Toddlers-Educational-Preschool/dp/B09W98HLY7?th=1>> [site visited Aug. 25, 2022] (Year: 2022).*

(Continued)

Primary Examiner — Katherine Glennon
Assistant Examiner — Yuan Yuan

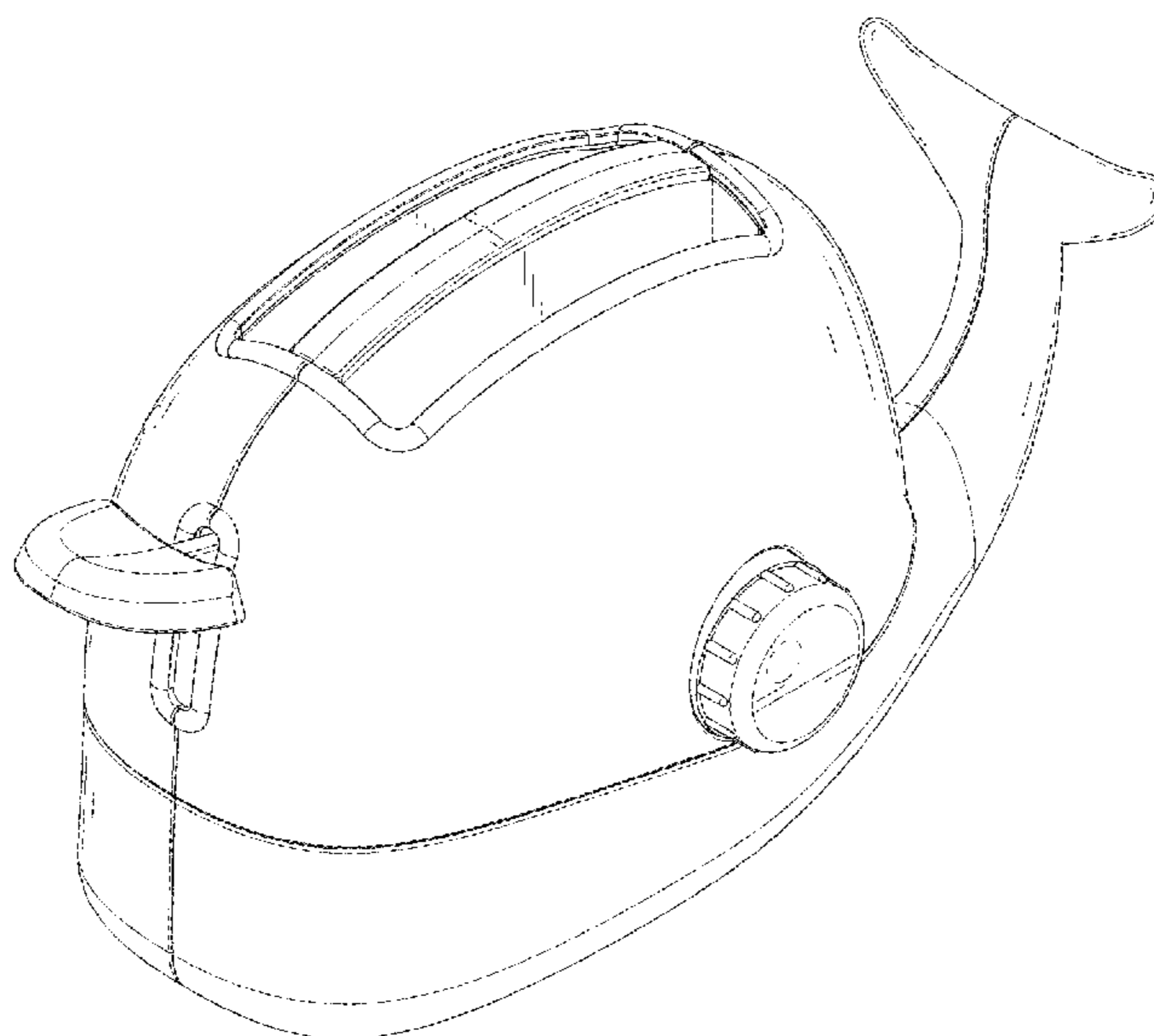
(57) **CLAIM**

The ornamental design for a whale toaster toy, as shown and described.

DESCRIPTION

FIG. 1 is a perspective view of a whale toaster toy, showing my new design;
FIG. 2 is a bottom perspective view thereof;
FIG. 3 is a front elevational view thereof;
FIG. 4 is a rear elevational view thereof;
FIG. 5 is a left elevational view thereof;
FIG. 6 is a right elevational view thereof;
FIG. 7 is a top plan view thereof; and,
FIG. 8 is a bottom plan view thereof.
The broken lines depict portions of the whale toaster toy that form no part of the claimed design.

1 Claim, 8 Drawing Sheets



(56)

References Cited

U.S. PATENT DOCUMENTS

D622,784 S 8/2010 Cohen
D632,109 S * 2/2011 Baron D6/525
D670,771 S 11/2012 Lo et al.
8,424,129 B2 * 4/2013 Henderson A47K 3/005
4/661
D720,807 S * 1/2015 Jianvarakul D19/69
D758,201 S 6/2016 Sehl
D793,492 S 8/2017 Zanger et al.
D807,965 S * 1/2018 Lo D21/597
D822,876 S * 7/2018 Li D26/98
D889,607 S * 7/2020 Jin D23/255
D889,964 S * 7/2020 Thai D21/597
D949,984 S 4/2022 Kiribuchi
D952,047 S 5/2022 Gao
D958,264 S * 7/2022 Zheng D21/597
2001/0029823 A1 * 10/2001 Ancona A47J 37/0871
99/357
2019/0059658 A1 * 2/2019 Gharibian A47K 3/005

OTHER PUBLICATIONS

Pretend Play Kitchen Accessories Set Kitchen Toys. Earliest Review
Date: Jul. 31, 2022. Retrieved from internet: <<https://www.amazon.com/Pretend-Play-Kitchen-Accessories-Toys/dp/B09WH2S87T/>> [site visited Aug. 25, 2022] (Year: 2022).*

* cited by examiner

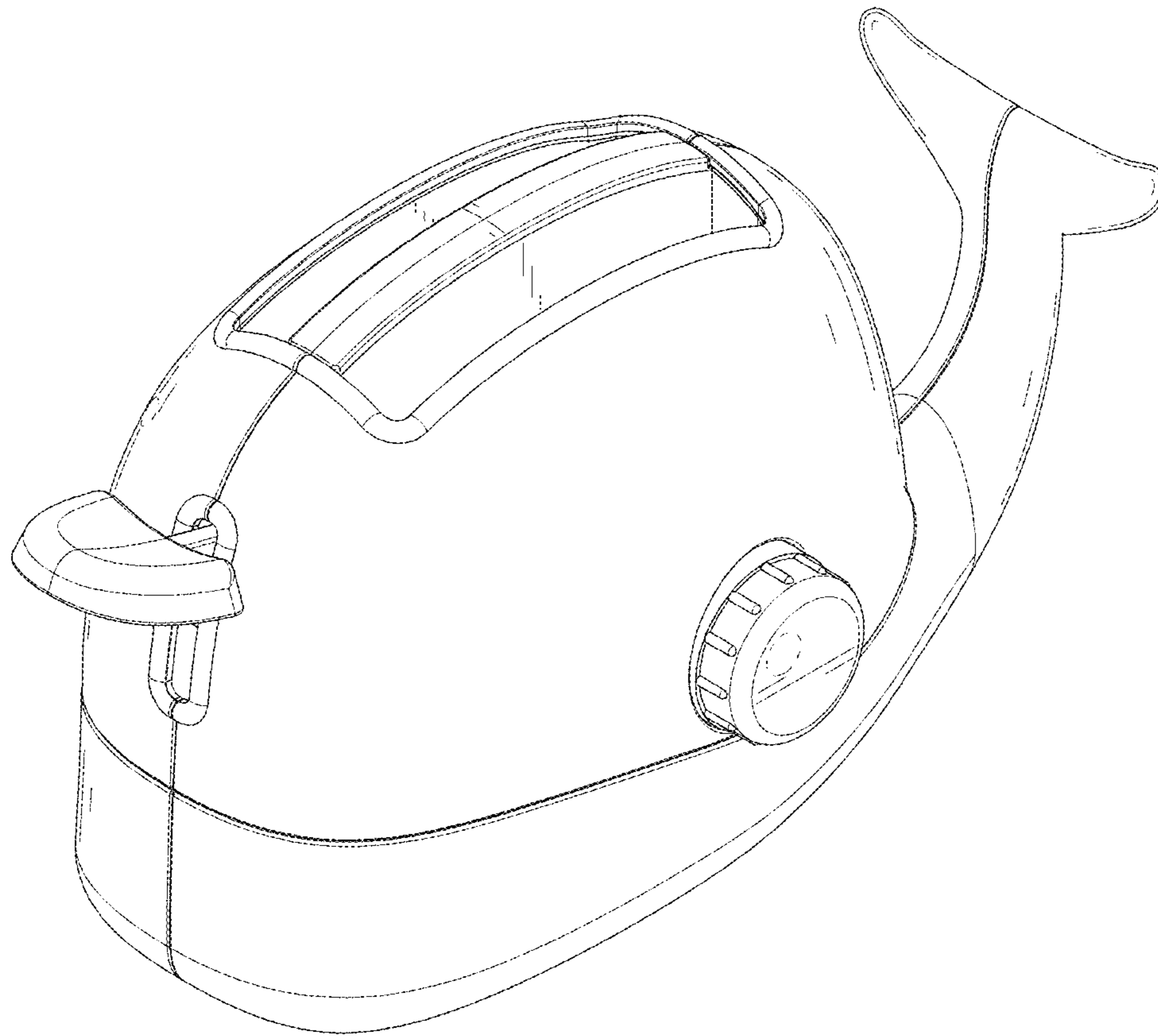


FIG.1

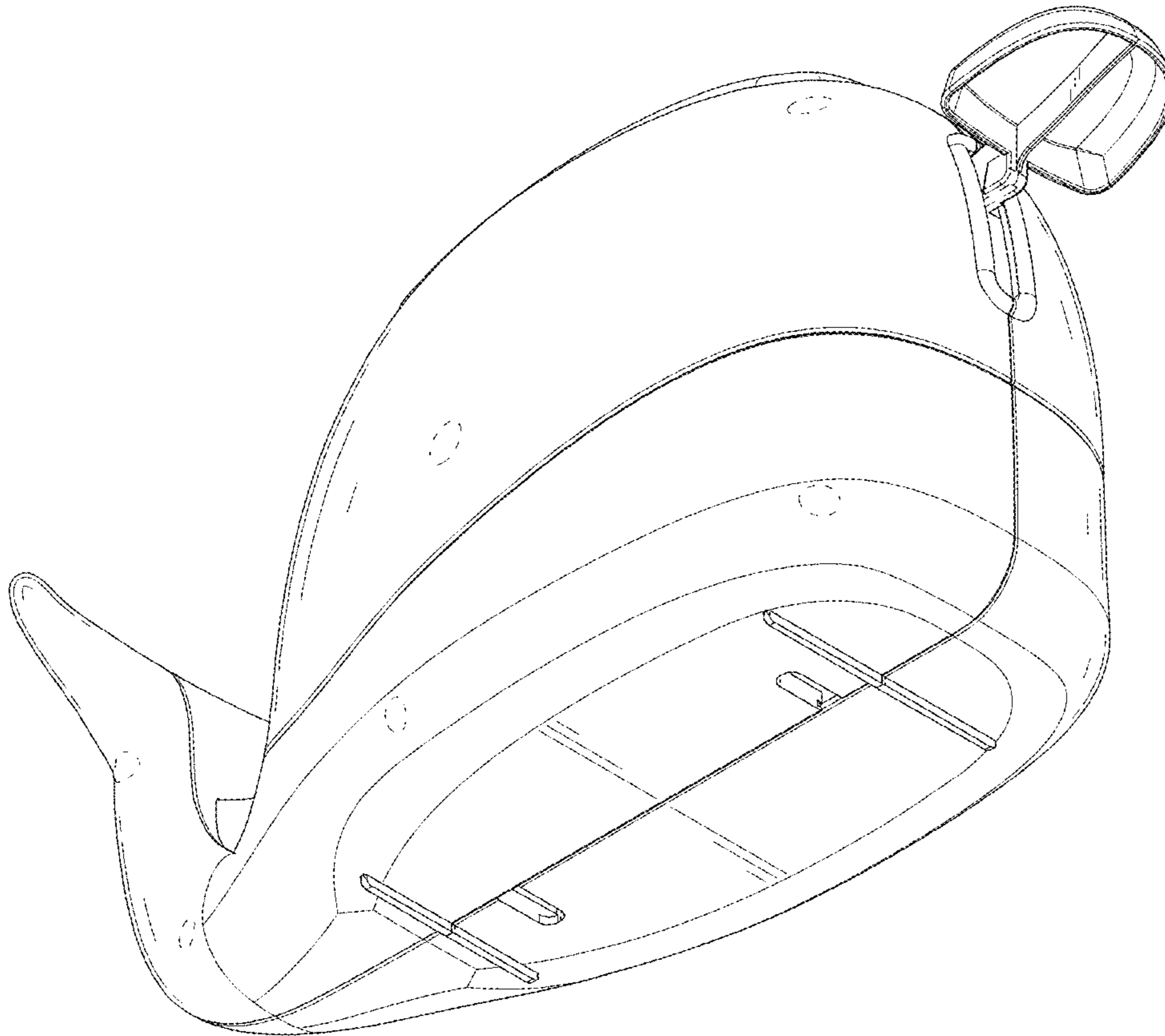


FIG.2

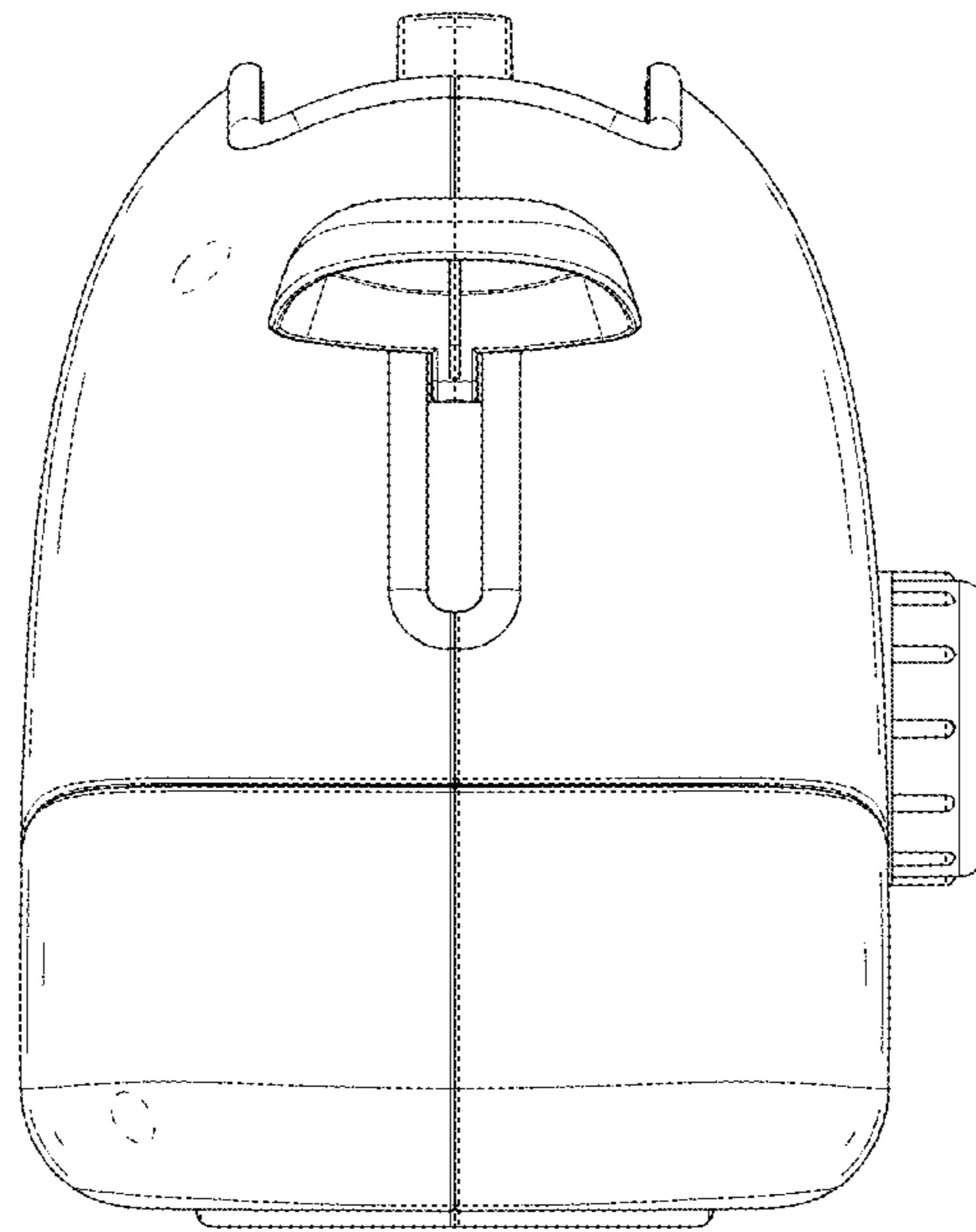


FIG.3

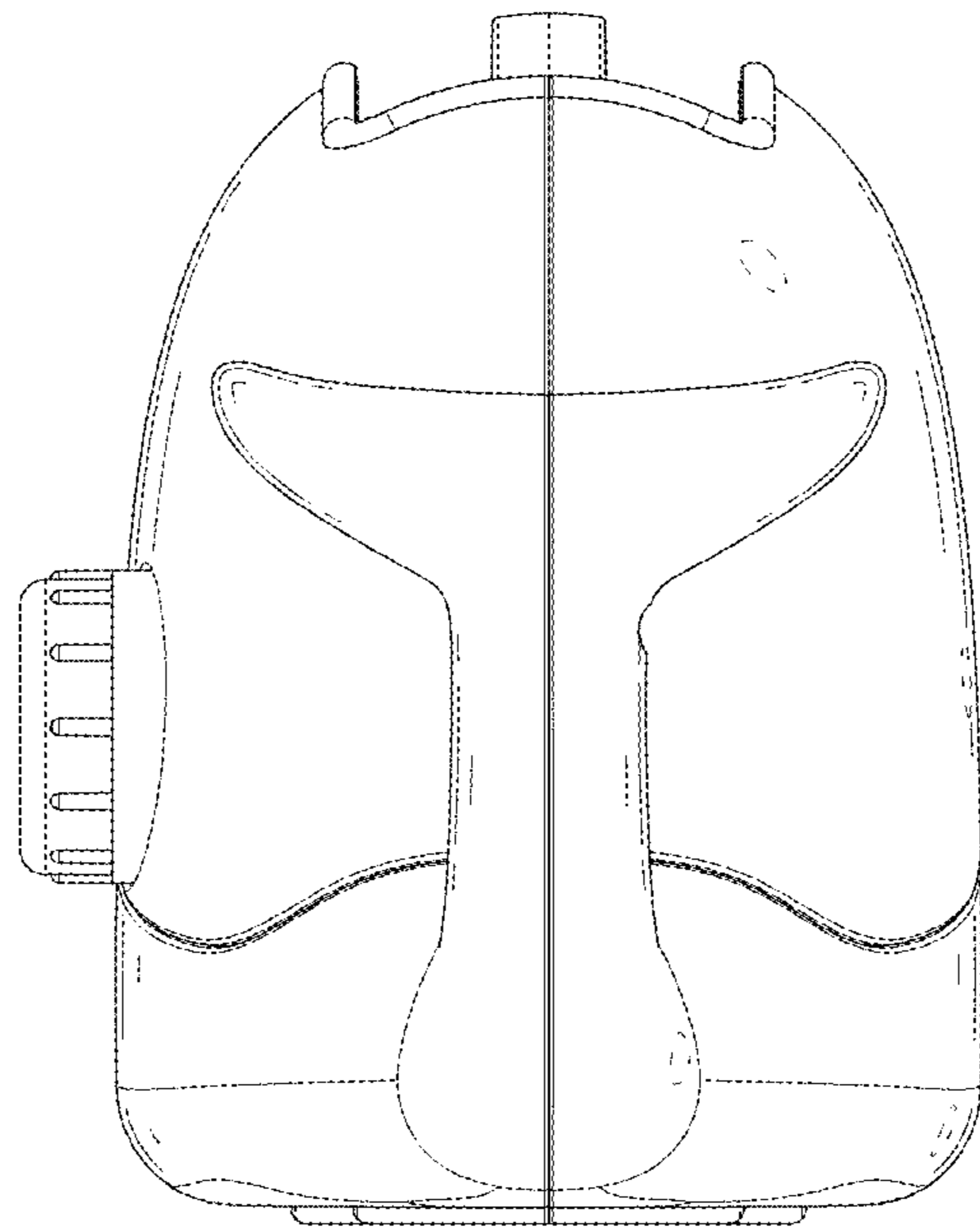


FIG.4

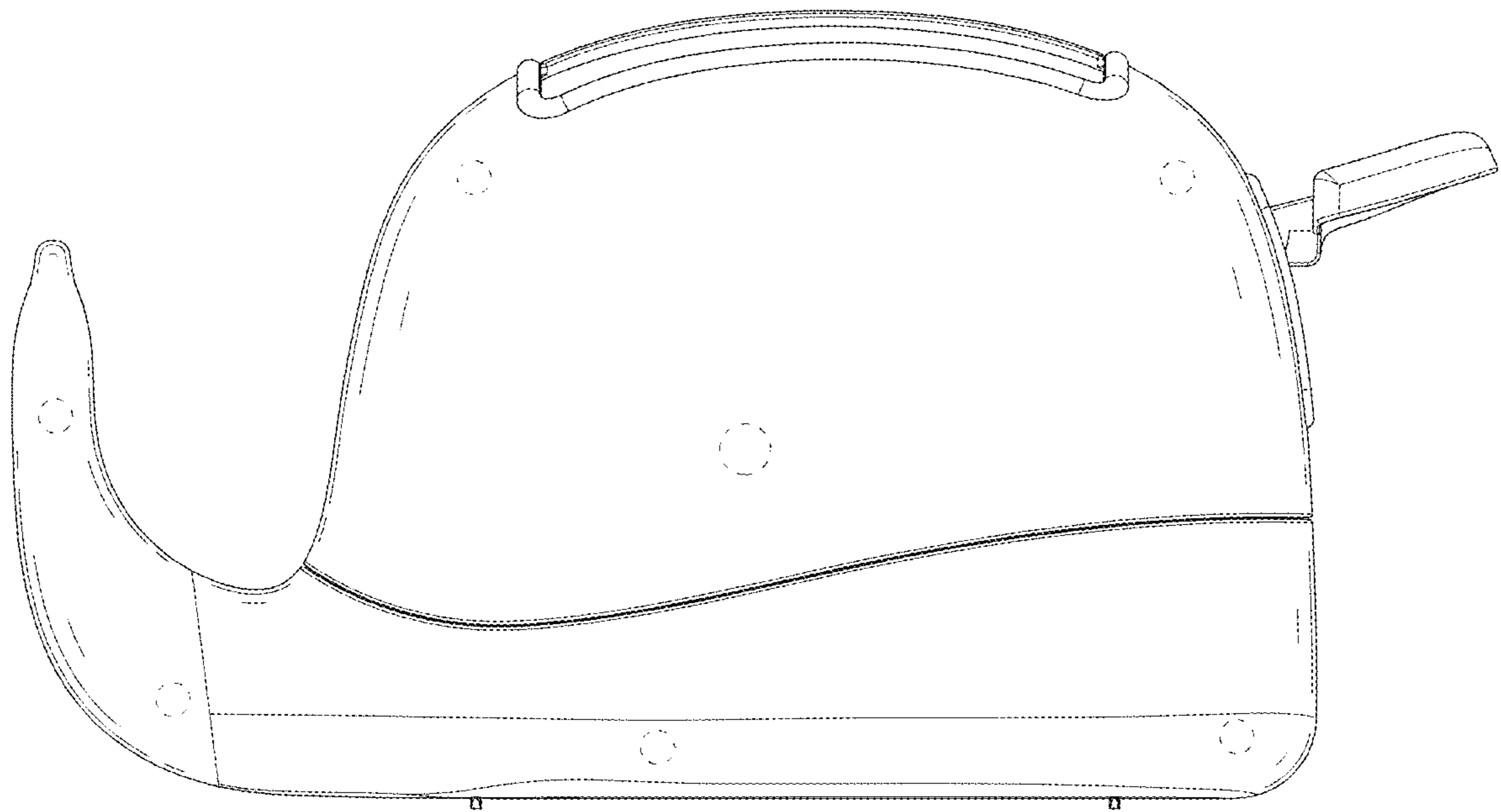


FIG.5

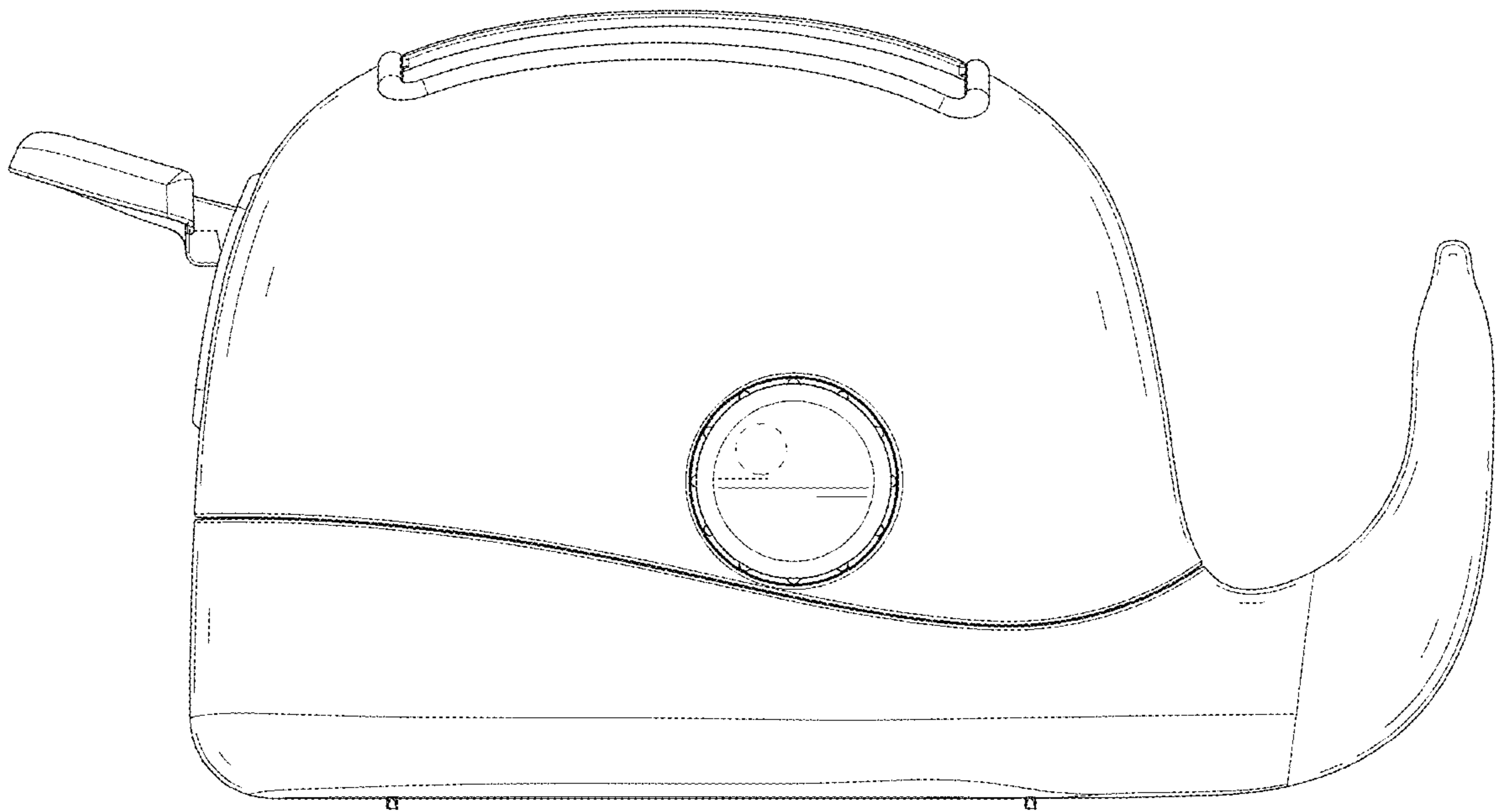


FIG.6

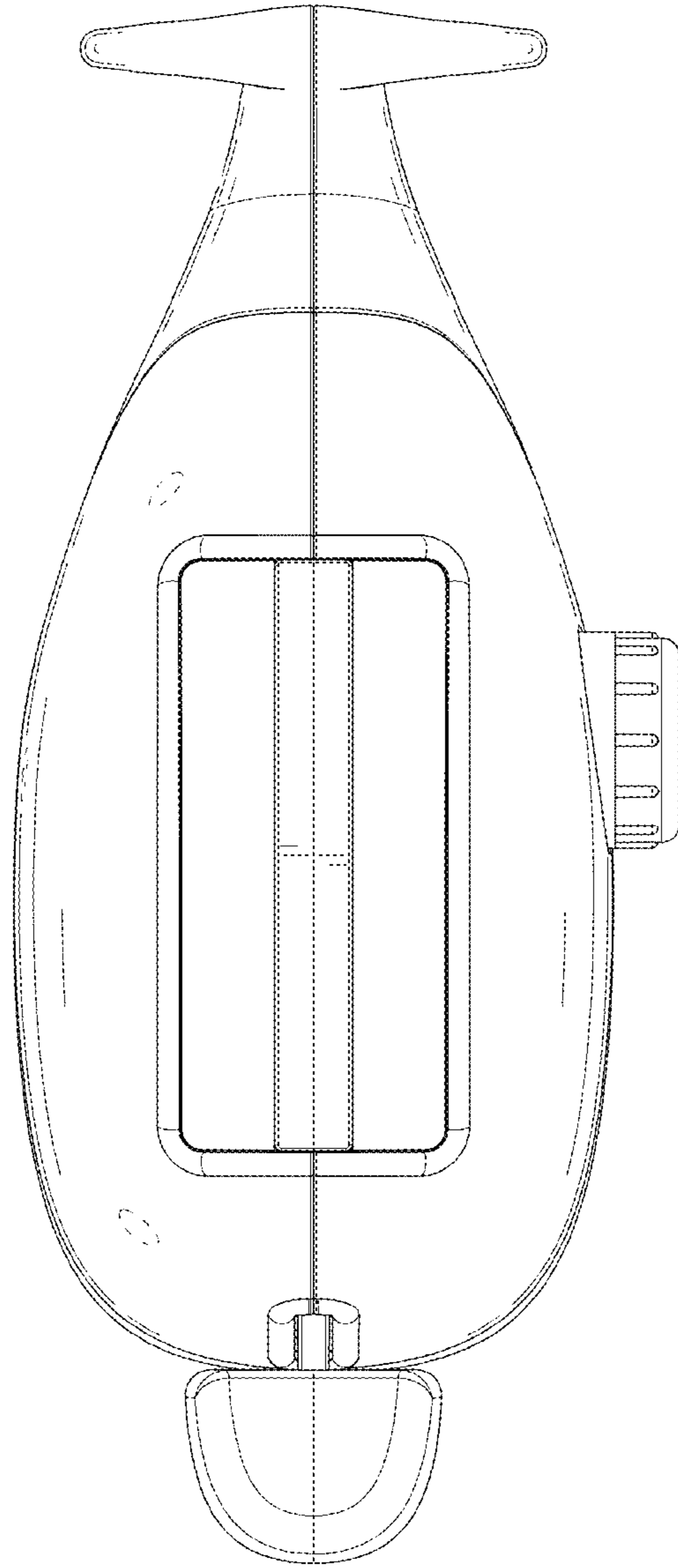


FIG. 7

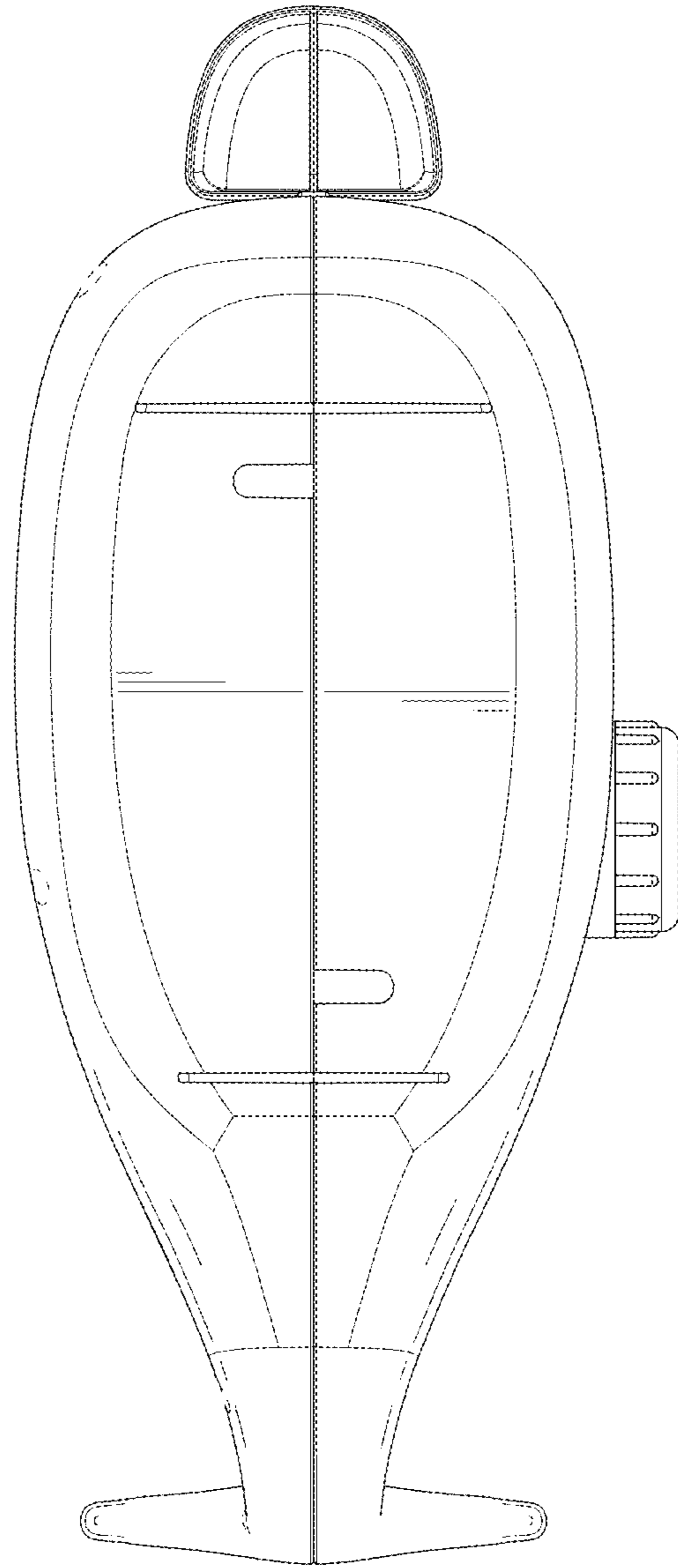


FIG. 8