



US00D983893S

(12) **United States Design Patent**
Guo

(10) **Patent No.:** **US D983,893 S**
(45) **Date of Patent:** **** Apr. 18, 2023**

(54) **GUN TOY**

2203/0331; G01S 13/92; G01S 13/91;
G01S 13/93; G01S 13/931; G01S
2013/932

(71) Applicant: **Guangdong Five stars Toys Co., Ltd.**,
Guangdong (CN)

See application file for complete search history.

(72) Inventor: **Shuzhong Guo**, Guangdong (CN)

(56) **References Cited**

(**) Term: **15 Years**

U.S. PATENT DOCUMENTS

(21) Appl. No.: **29/836,076**

D374,463 S * 10/1996 Butler D21/573
D398,661 S * 9/1998 Lee D21/333
D554,712 S 11/2007 Yuen
D618,687 S * 6/2010 Ito D14/418
8,057,309 B1 * 11/2011 Mead A63F 13/837
463/47
D655,765 S * 3/2012 Johnson D21/574
(Continued)

(22) Filed: **Apr. 24, 2022**

(51) **LOC (14) Cl.** **21-01**

(52) **U.S. Cl.**
USPC **D21/573**; D21/572

(58) **Field of Classification Search**

OTHER PUBLICATIONS

USPC D21/301, 324–327, 331–333, 385, 401,
D21/567–575; D22/100–108;
D14/412–413, 415–416, 418, 426–428,
D14/430; D10/46, 98

Guo, Shuzhong, CN Design No. 307258042, published at Orbit,
publication date Apr. 12, 2022. Site visited Sep. 12, 2022. Available
from Internet. (Year: 2022).*

CPC A63H 33/009; A63H 33/28; A63H 33/30;
A63H 33/3072; A63H 33/36; A63H
2200/00; F41C 3/005; F41C 3/06; F41C
3/08; F41C 3/10; F41C 3/12; F41C 3/00;
F41C 3/14; F41C 3/16; F41C 7/00; F41C
7/02; F41C 7/025; F41C 7/04; F41C
7/06; F41C 7/11; F41C 7/12; F41C 9/00;
F41C 27/00; F41C 33/08; F41B 7/08;
F41B 11/89; F41B 5/00; F41B 5/0005;
F41B 5/001; F41B 5/0026; F41B 5/0031;
F41B 5/0052; F41B 5/0073; F41B
5/0094; F41B 5/10; F41B 5/12; F41B
5/123; F41B 5/126; F41B 1/00; F41B
9/00; F41B 9/005; F41B 9/0053; F41B
9/0009; F41B 9/0012; F41B 9/0028;
F41B 9/0031; F41B 9/0078; F41B
9/0081; F41B 9/0096; A63F 13/837;
A63F 13/92; A63F 13/98; A63F 13/00;
A63F 13/20; A63F 13/24; A63F 13/245;
A63F 9/02; A63F 9/0252; A63F
2009/0256; A63F 2009/0265; A63F
2009/026; G06F 3/011; G06F 3/014;
G06F 3/02; G06F 3/0202; G06F

(Continued)

Primary Examiner — Kathleen L Jones

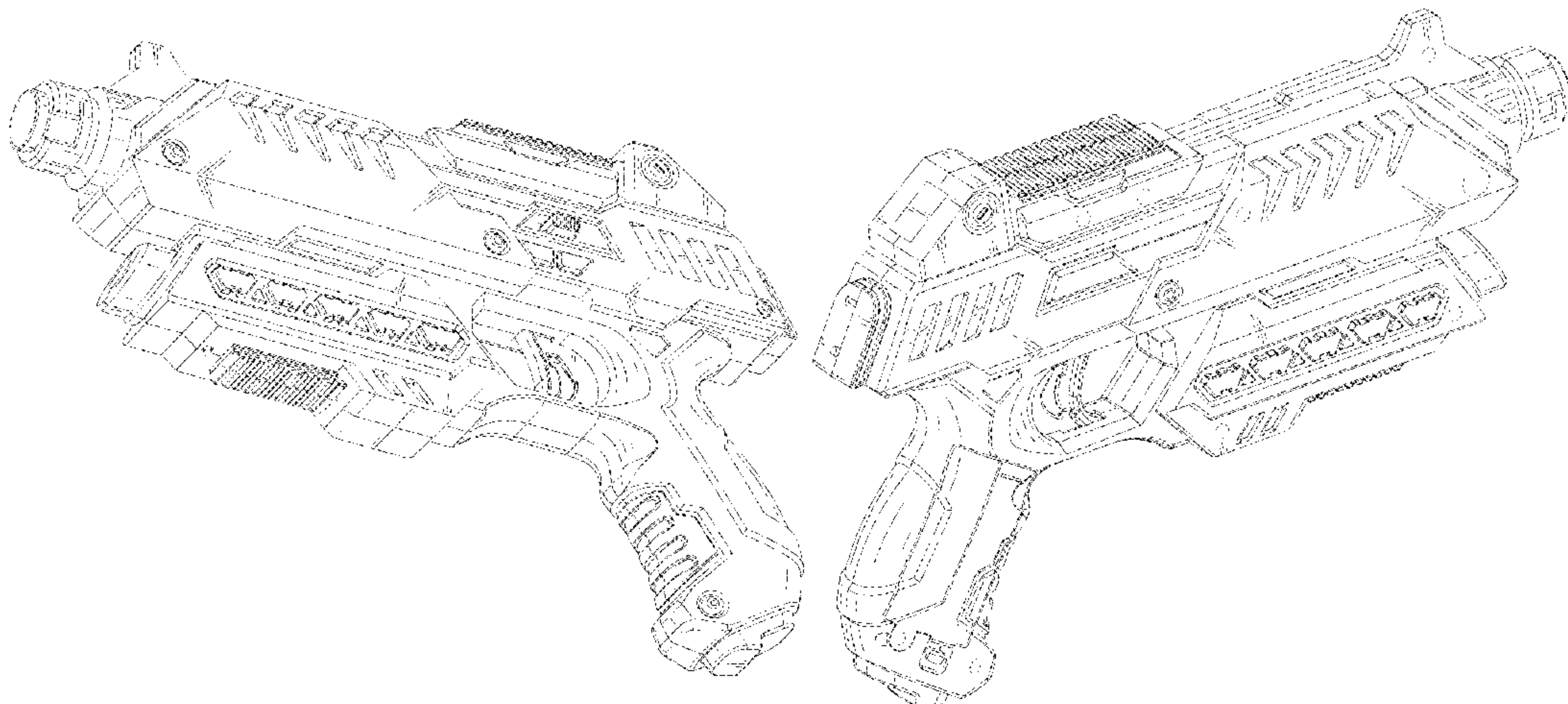
(57) **CLAIM**

The ornamental design for a gun toy, as shown and
described.

DESCRIPTION

FIG. 1 is a perspective view of a gun toy, showing my new
design;
FIG. 2 is another perspective view thereof;
FIG. 3 is a front elevational view thereof;
FIG. 4 is a rear elevational view thereof;
FIG. 5 is a left elevational view thereof;
FIG. 6 is a right elevational view thereof;
FIG. 7 is a top plan view thereof; and,
FIG. 8 is a bottom plan view thereof.

(Continued)



The dashed broken lines in the figures depict portions of the gun toy that form no part of the claimed design.

1 Claim, 8 Drawing Sheets

(56)

References Cited

U.S. PATENT DOCUMENTS

D660,920	S *	5/2012	Johnson	D21/573
D660,923	S *	5/2012	Johnson	D21/573
D660,925	S *	5/2012	Jablonski	D21/573
D660,926	S	5/2012	Mastin		
8,720,426	B2 *	5/2014	Hadley	F42B 12/74 124/66
9,581,410	B1 *	2/2017	Chang	F41B 11/89
D883,401	S *	5/2020	Yang	D21/574
10,801,800	B1 *	10/2020	Chia	F41C 23/16
D903,789	S *	12/2020	Zheng	D21/572
D943,684	S *	2/2022	Zheng	D21/574
D944,336	S *	2/2022	Ren	D21/572
D946,091	S *	3/2022	Li	D21/572
D952,766	S *	5/2022	Cheng	D21/574
2005/0024807	A1 *	2/2005	Cerovic	F41H 13/0018 361/232

2014/0165983	A1 *	6/2014	Busse	F41B 11/89 124/66
2019/0195593	A1 *	6/2019	Chia	F41B 11/53
2019/0346231	A1 *	11/2019	Ma	F41A 11/04
2019/0383575	A1 *	12/2019	Chia	A63F 9/0278

OTHER PUBLICATIONS

Li, Sufeng, CN Design No. 306293322, published at Orbit, publication date Jan. 22, 2021. Site visited Sep. 12, 2022. Available from Internet. (Year: 2021).*

Pokonboy, 2 Pack Blaster Gun Toy Guns, Soft Foam Dart Blaster, posted at Amazon, question posting date Sep. 16, 2021, site visited Sep. 23, 2022. URL: <<https://www.amazon.com/POKONBOY-Compatible-Wristbands-Christmas-Birthday/dp/B098KXXFT4?th=1>>(Year: 2021).*

Gmaophy, Digital Shooting Targets with Foam Dart Toy Shooting Blaster, posted at Amazon, posting date Apr. 24, 2020. Site visited Sep. 23, 2022. URL: <<https://www.amazon.com/dp/B087M465GT/>> (Year: 2020).*

Liu, Shunxiong, CN Design No. 307143033, published at Orbit, publication date Mar. 4, 2022. Site visited Sep. 14, 2022. Available from Internet. (Year: 2022).*

Zheng, Wen Jie, CN Design No. 305402997, published at Orbit, publication date Oct. 25, 2019. Site visited Sep. 14, 2022. Available from Internet. (Year: 2019).*

* cited by examiner

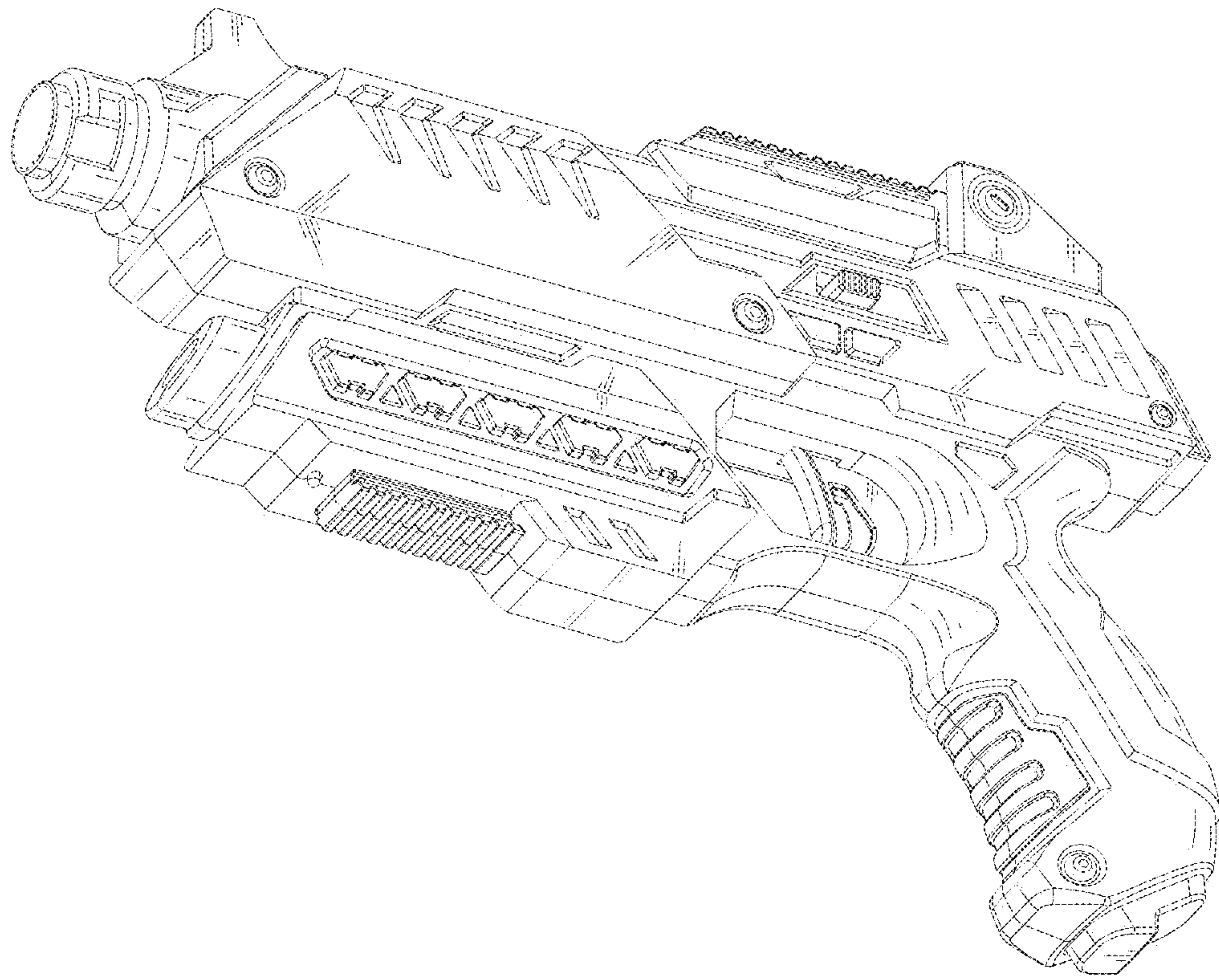


FIG. 1

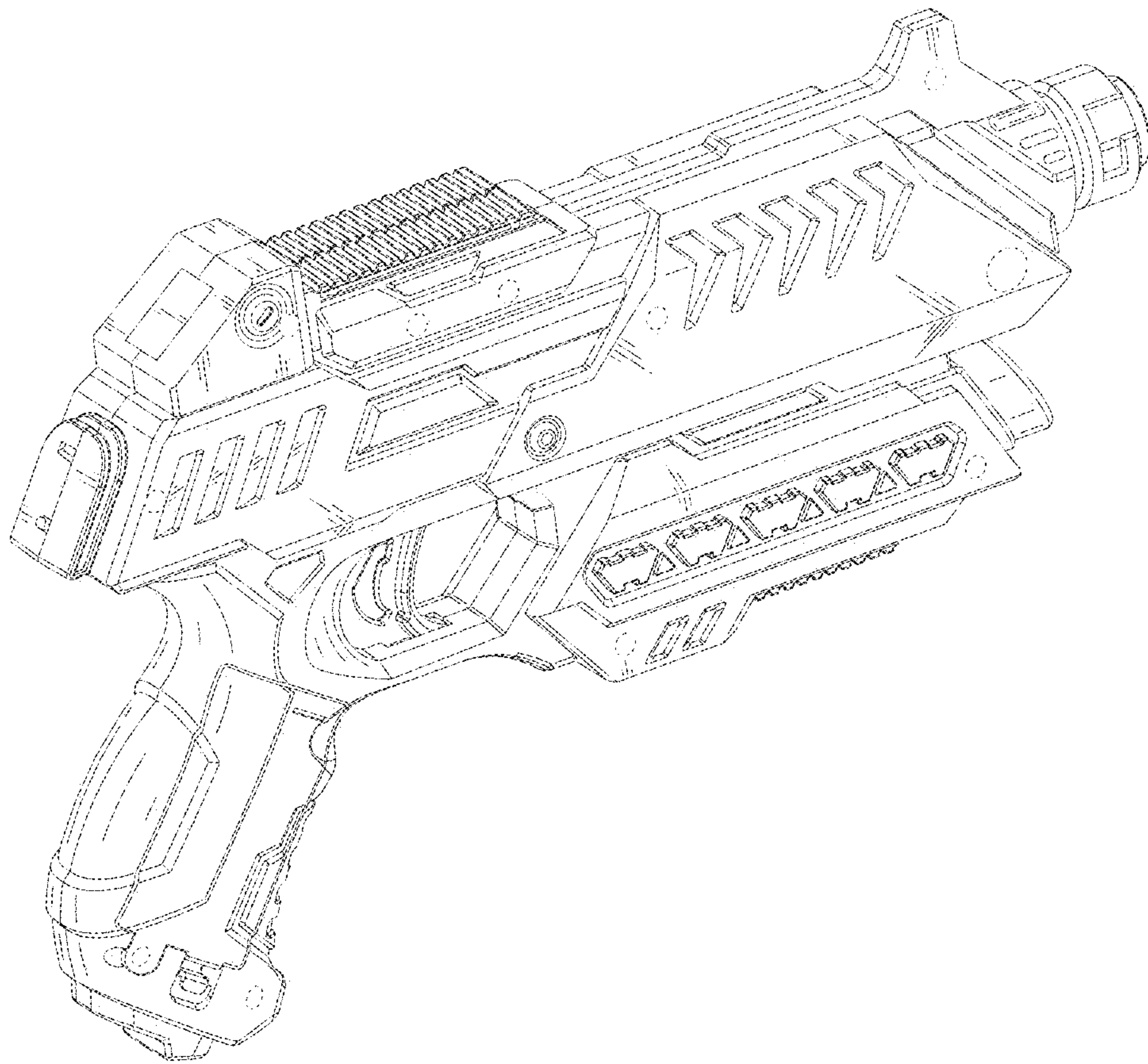


FIG. 2

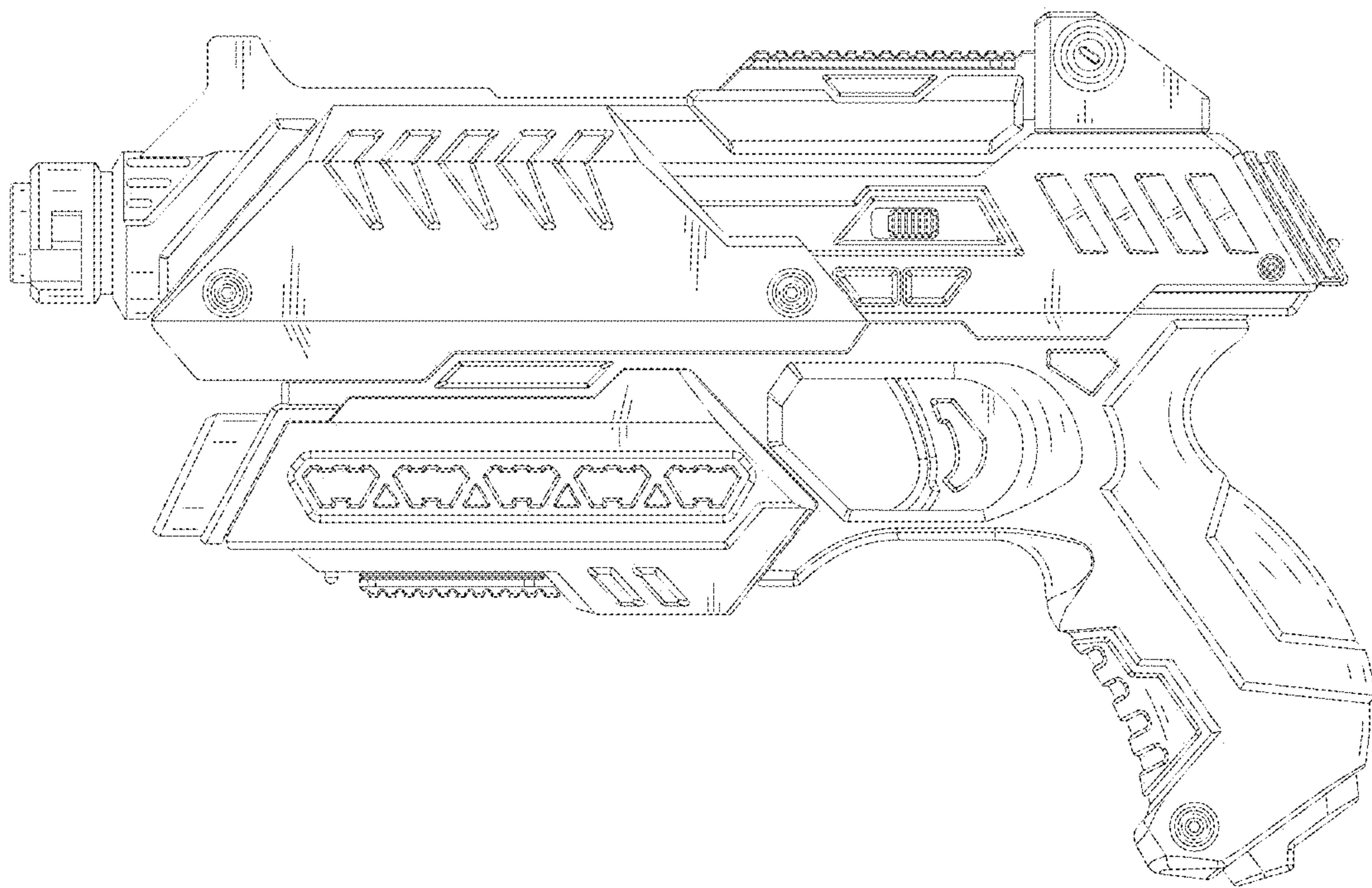


FIG. 3

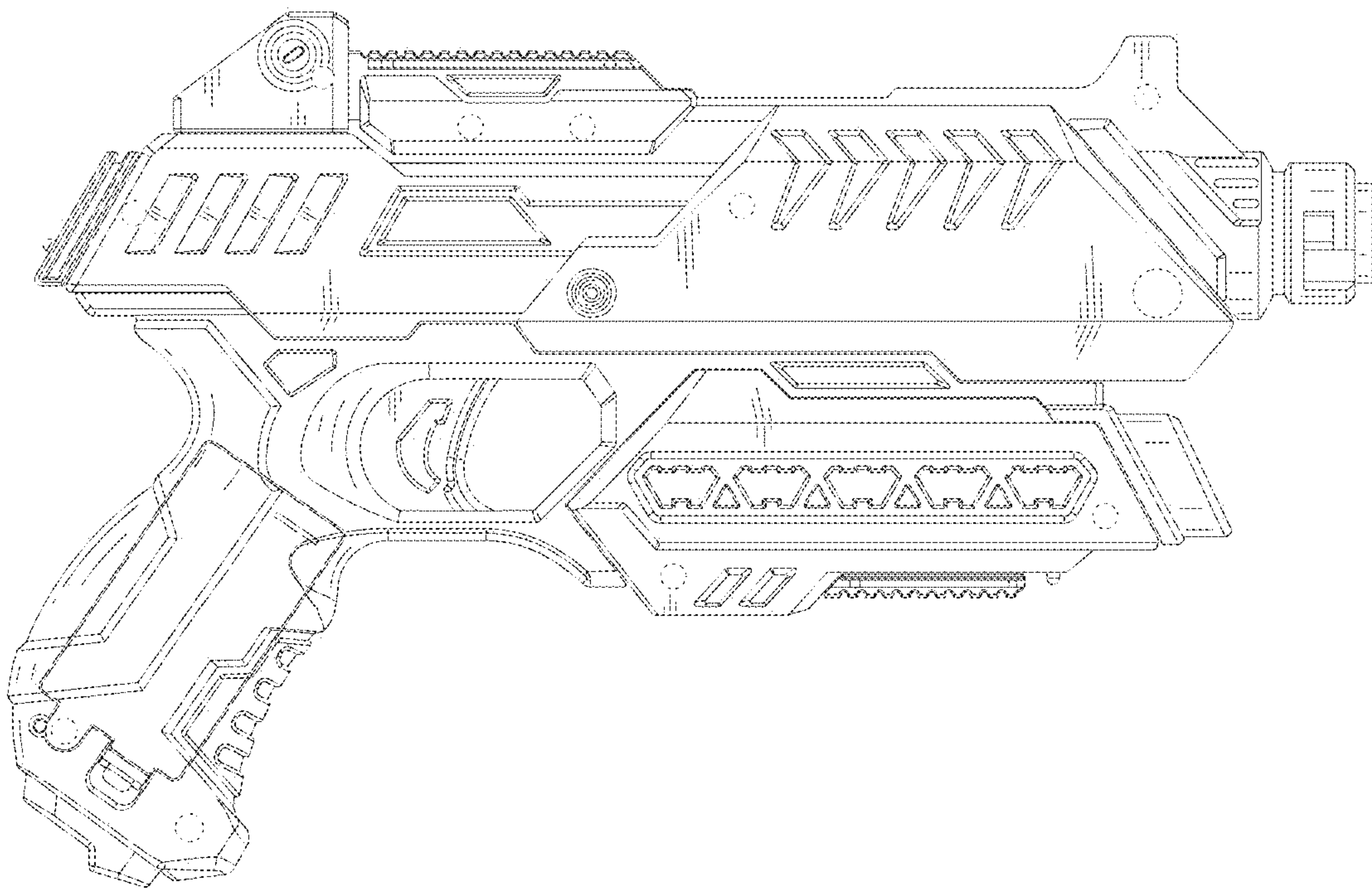


FIG. 4

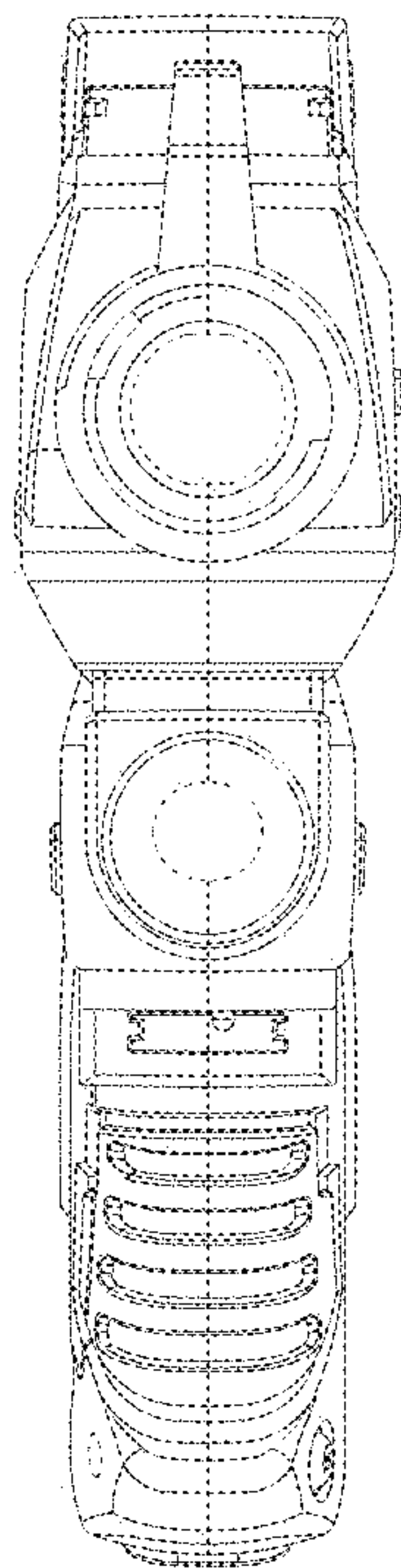


FIG. 5

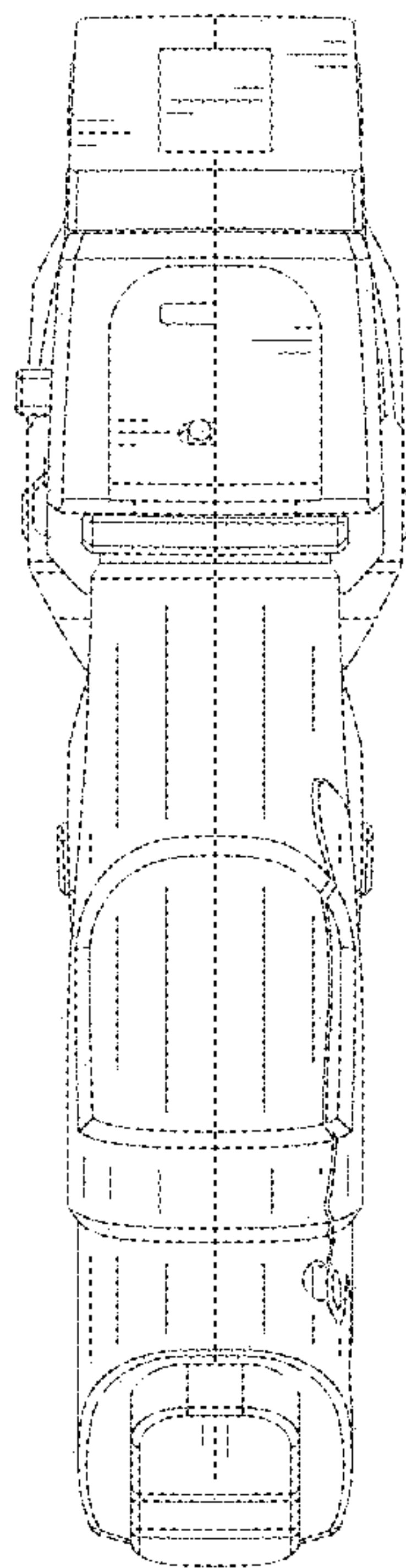


FIG. 6

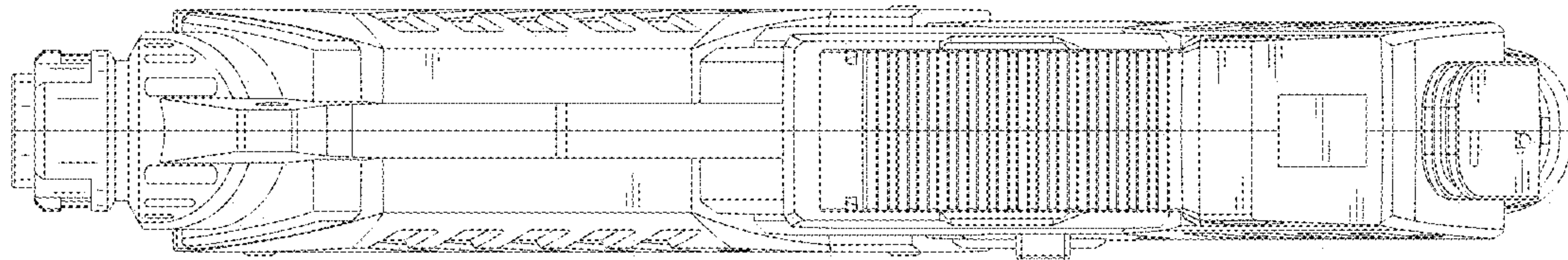


FIG. 7

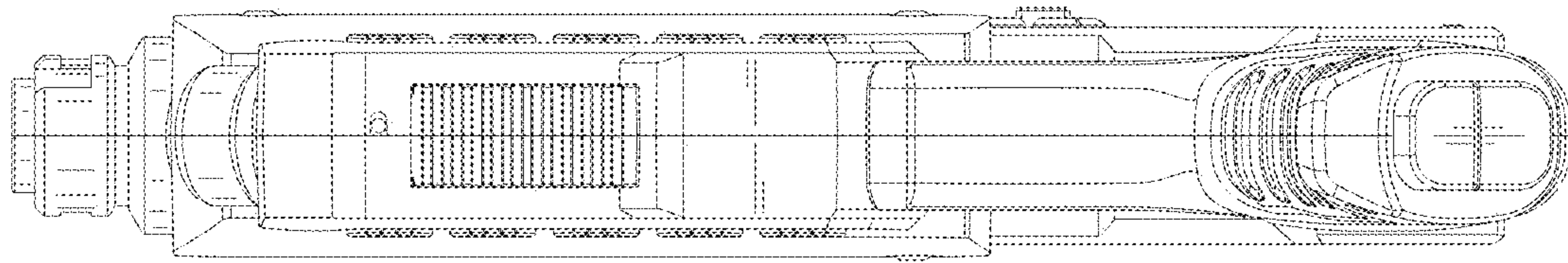


FIG.8