



US00D983892S

(12) **United States Design Patent**  
**Lee**

(10) **Patent No.:** **US D983,892 S**  
(45) **Date of Patent:** **\*\* Apr. 18, 2023**

(54) **TOY CAR**

(71) Applicant: **Wen-Hsien Lee**, New Taipei (TW)

(72) Inventor: **Wen-Hsien Lee**, New Taipei (TW)

(\*\*) Term: **15 Years**

(21) Appl. No.: **29/795,852**

(22) Filed: **Jun. 21, 2021**

(51) **LOC (14) Cl.** ..... **21-01**

(52) **U.S. Cl.**

USPC ..... **D21/549**; D21/548; D21/550

(58) **Field of Classification Search**

USPC ..... D21/548, 549, 550, 552, 533, 560, 833,  
D21/424, 433, 427, 428, 561, 562, 580;  
D12/88, 82

CPC ..... A63H 15/00; A63H 17/25; A63H 17/28

See application file for complete search history.

(56) **References Cited**

**U.S. PATENT DOCUMENTS**

|                 |   |         |       |       |             |
|-----------------|---|---------|-------|-------|-------------|
| D246,676 S      | * | 12/1977 | Nakao | ..... | D21/550     |
| D698,870 S      | * | 2/2014  | Lee   | ..... | D21/551     |
| D810,210 S      | * | 2/2018  | Lee   | ..... | D21/533     |
| D961,693 S      | * | 8/2022  | Kim   | ..... | D15/199     |
| D973,149 S      | * | 12/2022 | Liao  | ..... | D21/549     |
| 2021/0299583 A1 | * | 9/2021  | Liao  | ..... | A63H 17/002 |

**FOREIGN PATENT DOCUMENTS**

|    |                |   |        |
|----|----------------|---|--------|
| CN | 303597380      | * | 2/2016 |
| EM | 008635197-0001 | * | 8/2021 |
| GB | 6167384        | * | 9/2020 |

**OTHER PUBLICATIONS**

Amazon Website, Pica Toys Wooden Solar Car, Earliest Comment Date: Jul. 12, 2018[Website Visited Feb. 3, 2023] Available on the Internet URL <https://www.amazon.com/dp/B07D2DC8LL/> (Year: 2018).\*

\* cited by examiner

*Primary Examiner* — S. Bryan Reinholdt, Jr.

*Assistant Examiner* — James T Tyree

(74) *Attorney, Agent, or Firm* — Bradley J. Thorson; DeWitt LLP

(57) **CLAIM**

The ornamental design for a toy car, as shown and described.

**DESCRIPTION**

FIG. 1 is a perspective view of a toy car showing my new design;

FIG. 2 is another perspective view thereof;

FIG. 3 is a front elevation view thereof;

FIG. 4 is a rear elevation view thereof;

FIG. 5 is a left side elevation view thereof;

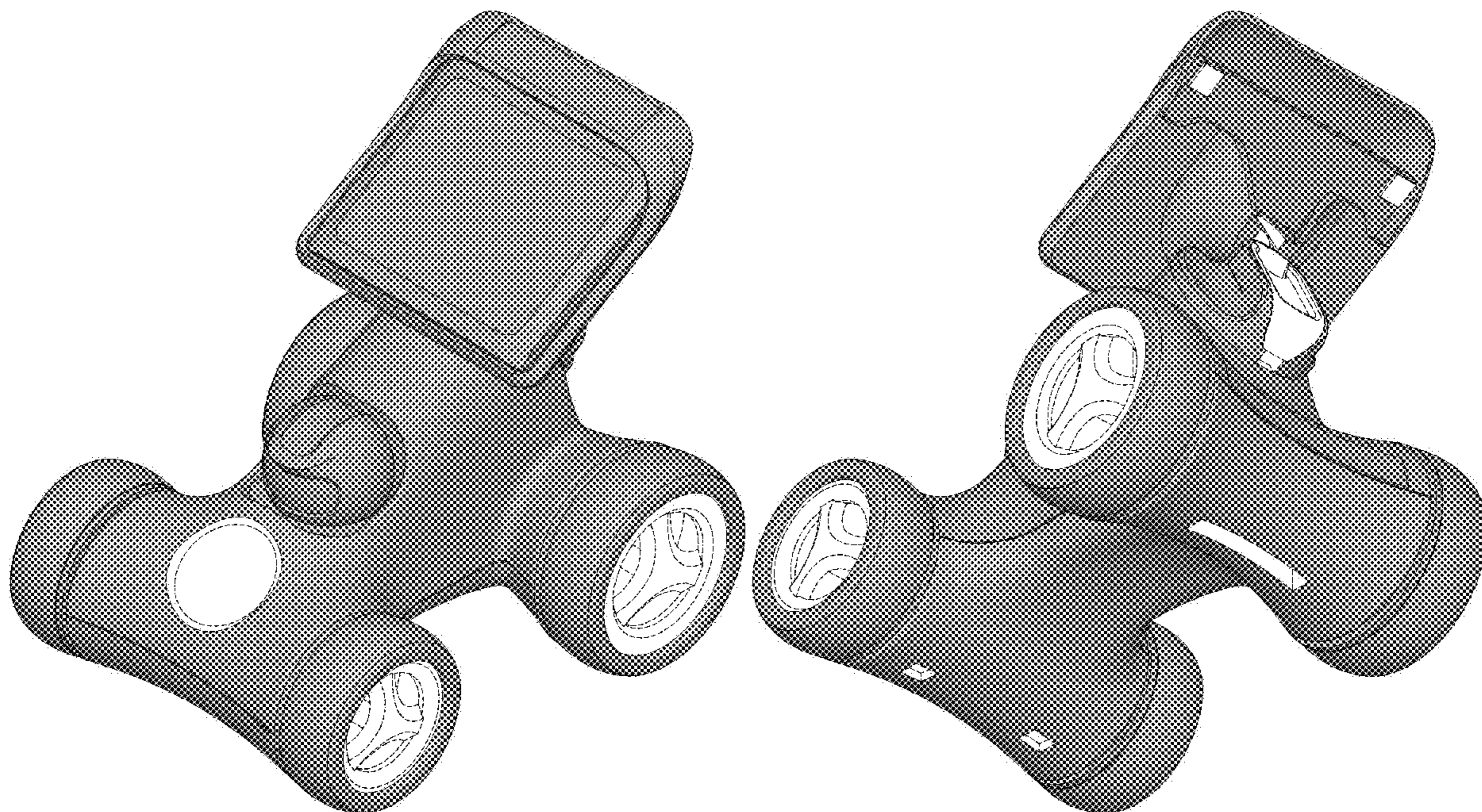
FIG. 6 is a right side elevation view thereof;

FIG. 7 is a top plan view thereof; and,

FIG. 8 is a bottom view thereof.

The broken lines shown in the drawings depict portions of the article that form no part of the claimed design.

**1 Claim, 8 Drawing Sheets**



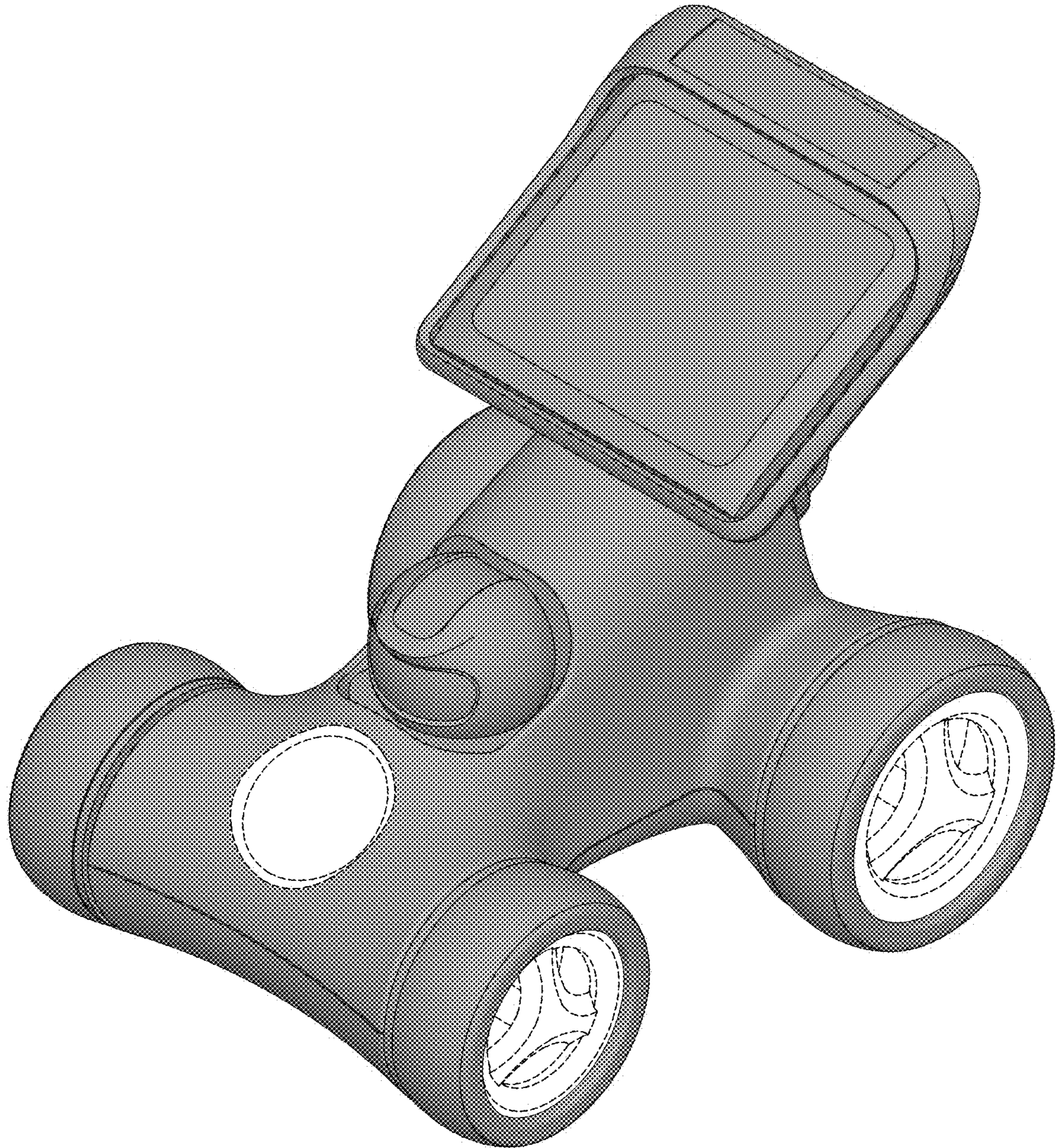


FIG.1

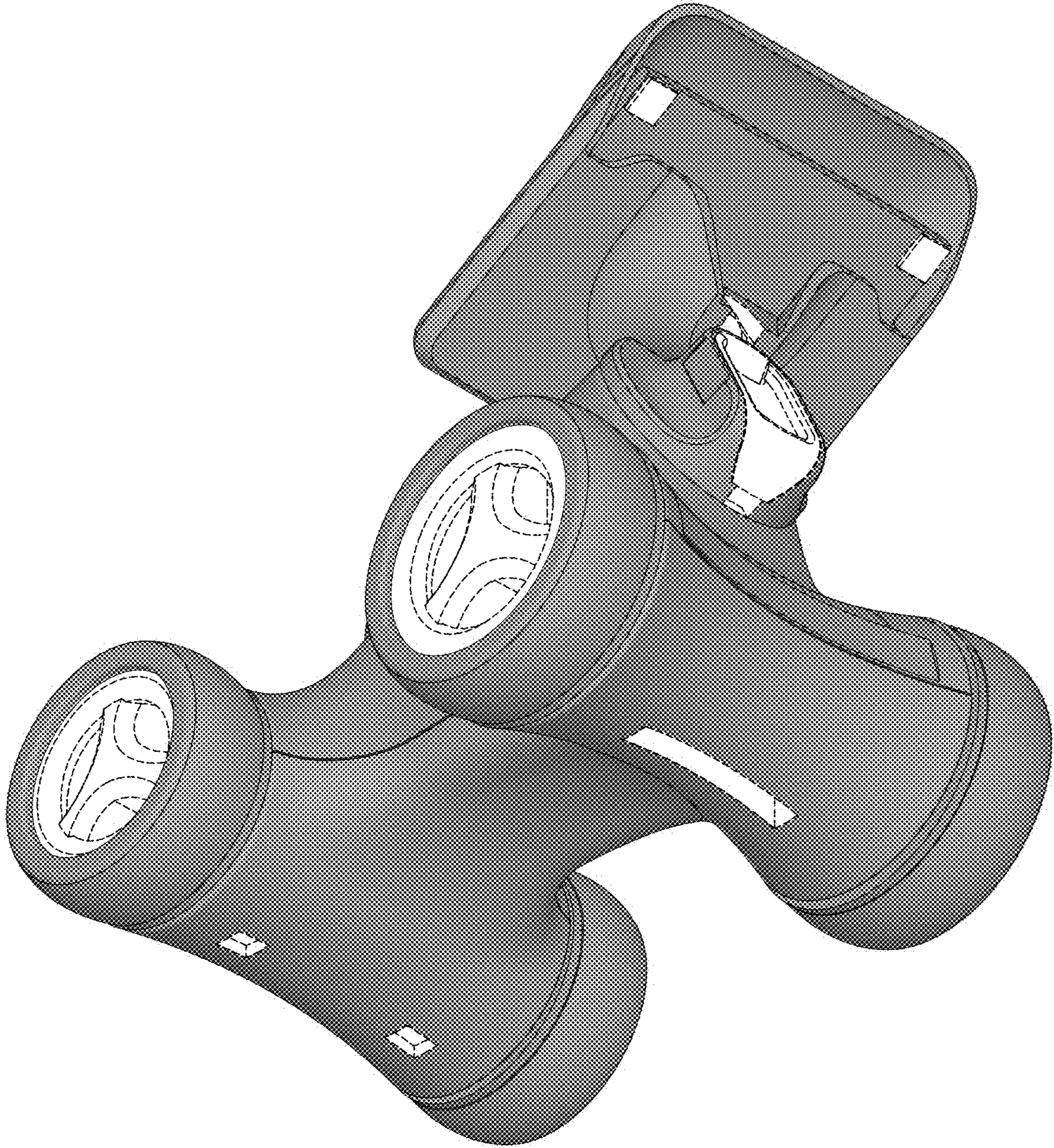


FIG.2

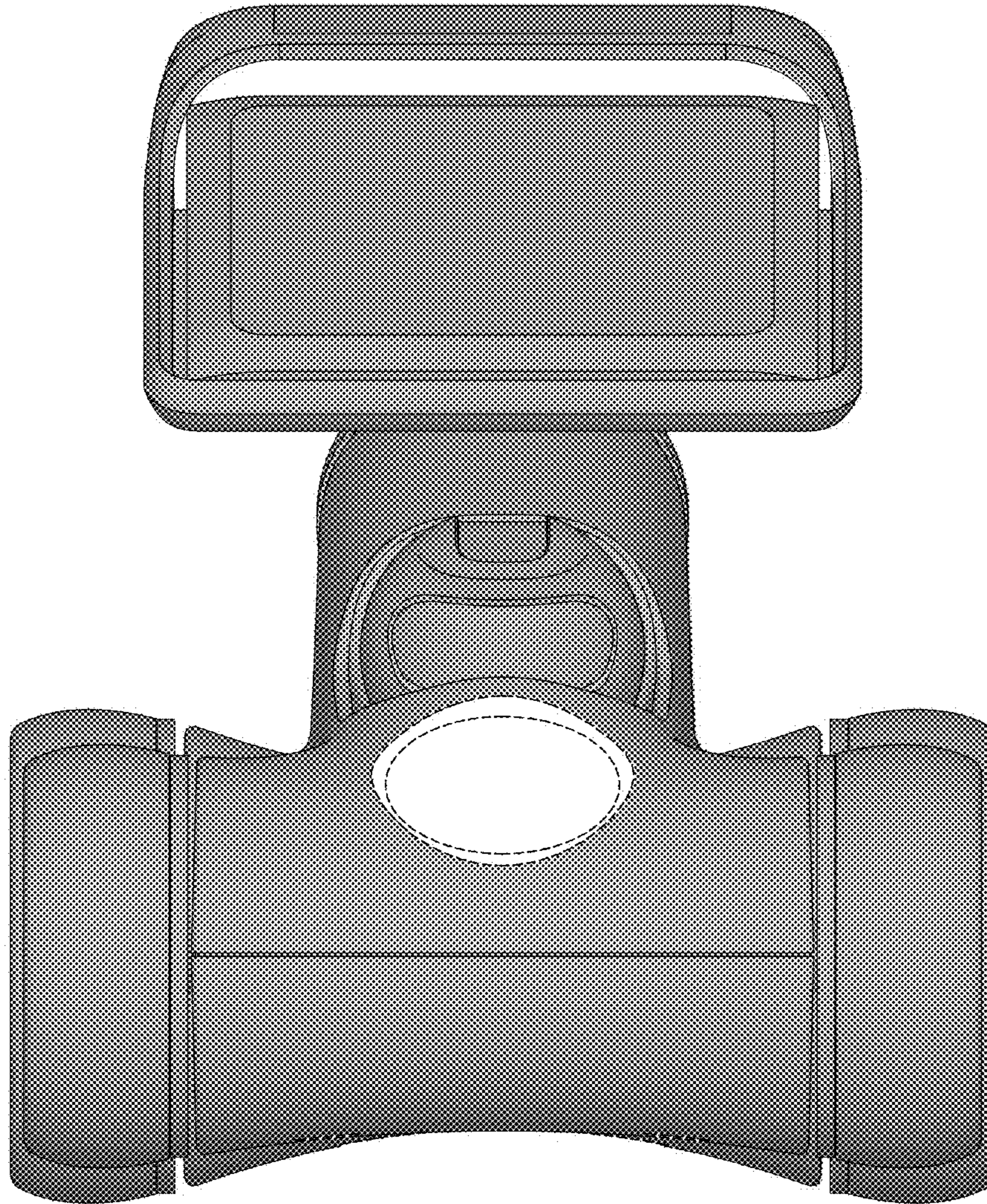


FIG.3

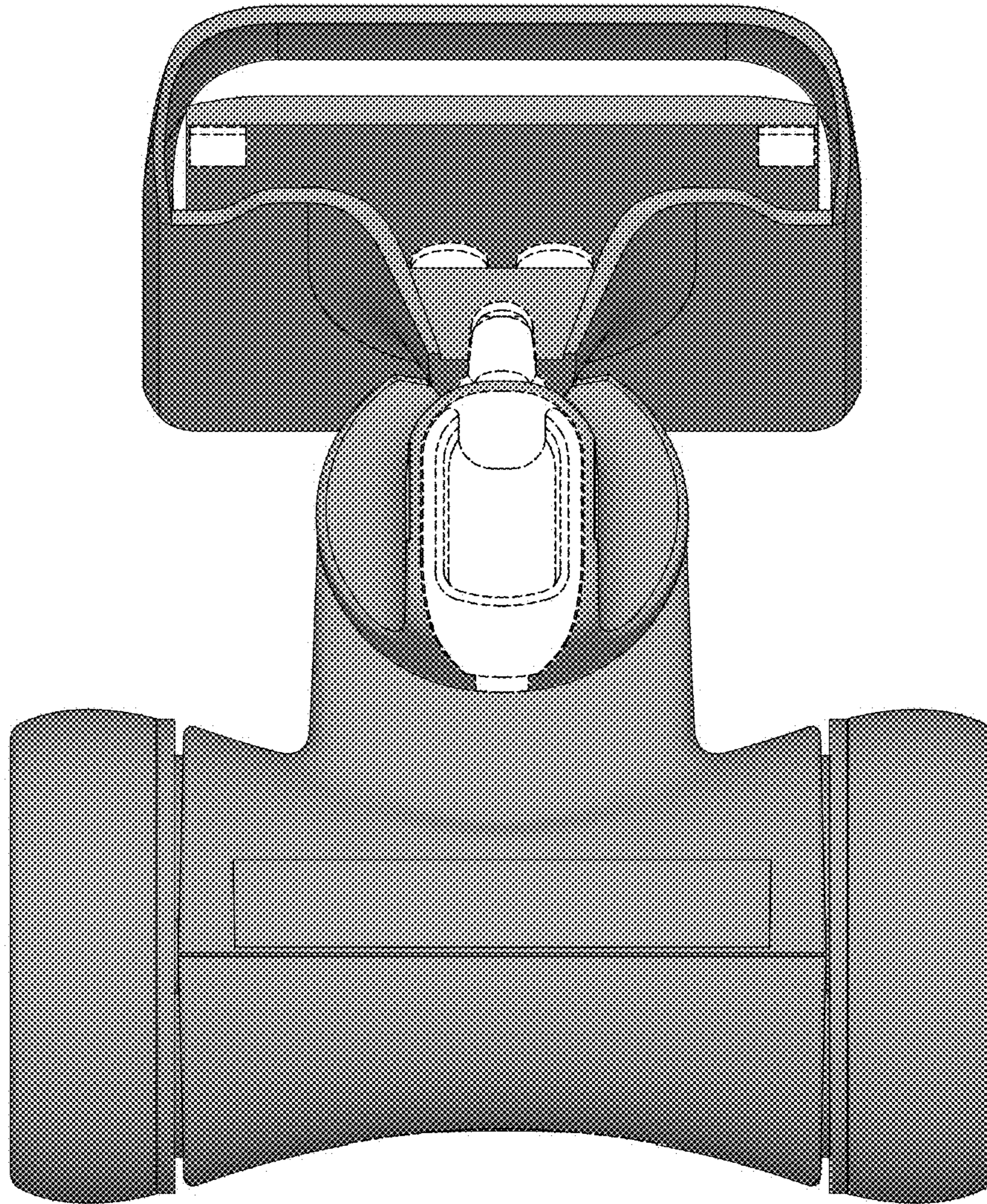


FIG.4

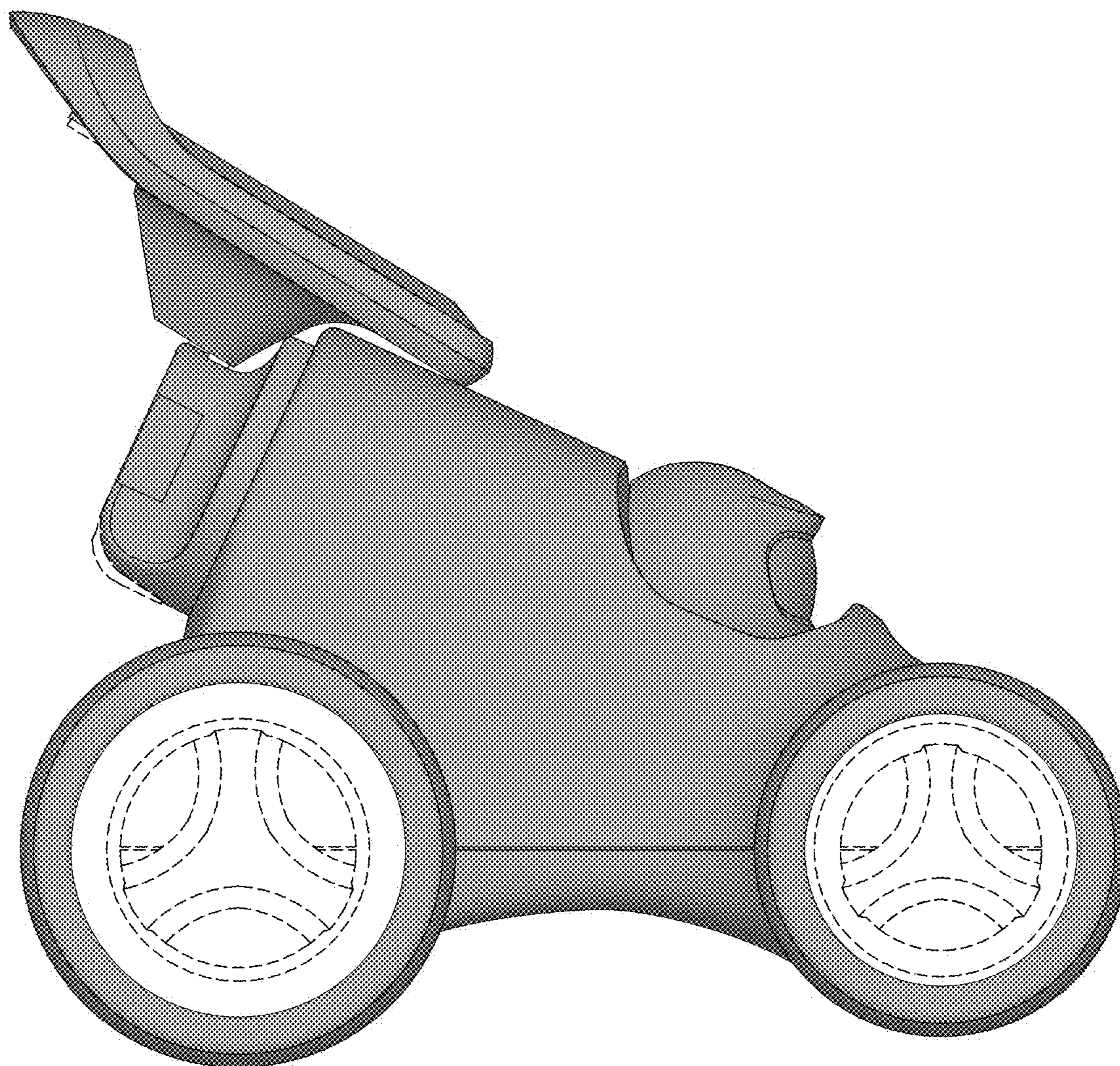


FIG.5

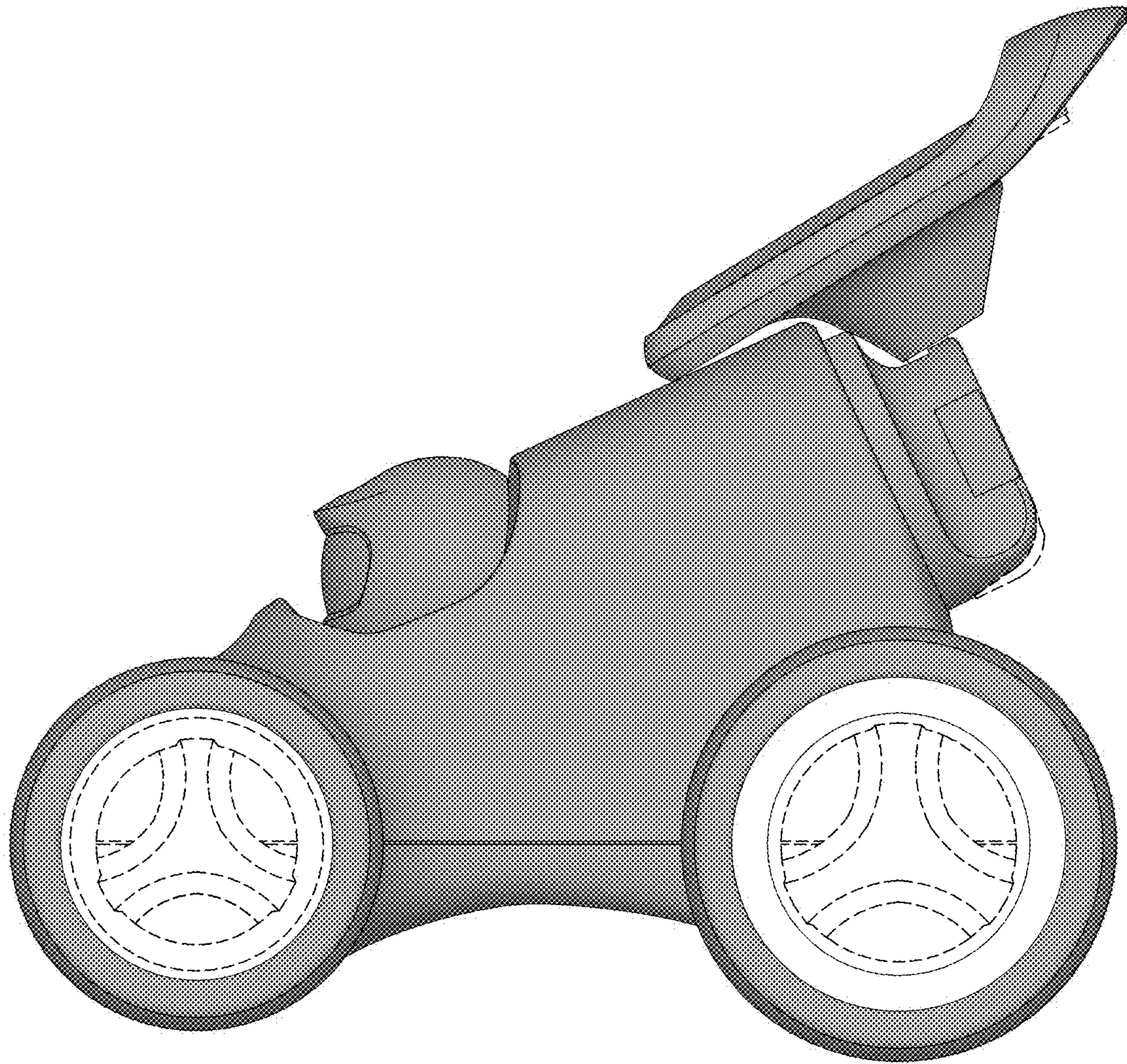


FIG.6

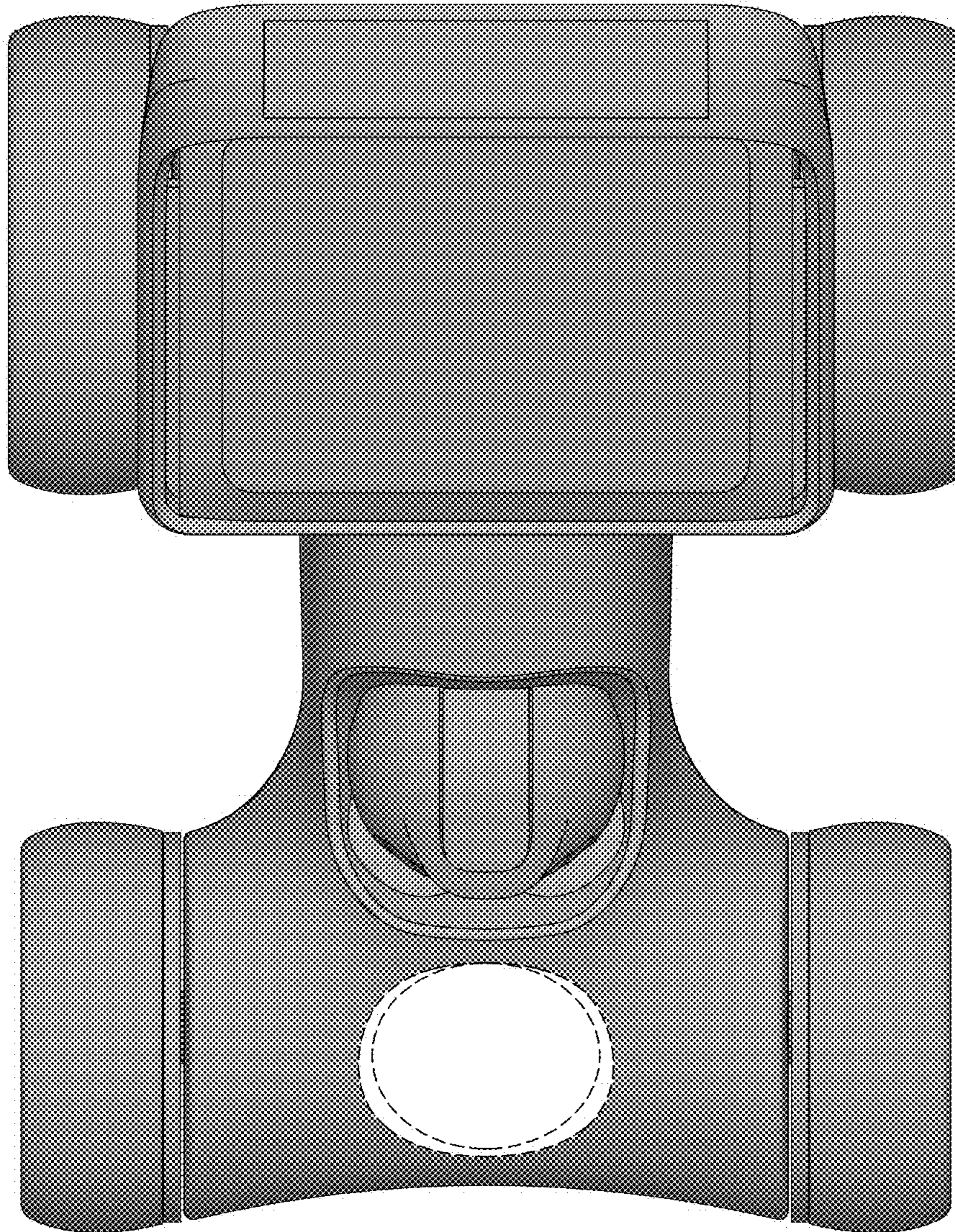


FIG.7



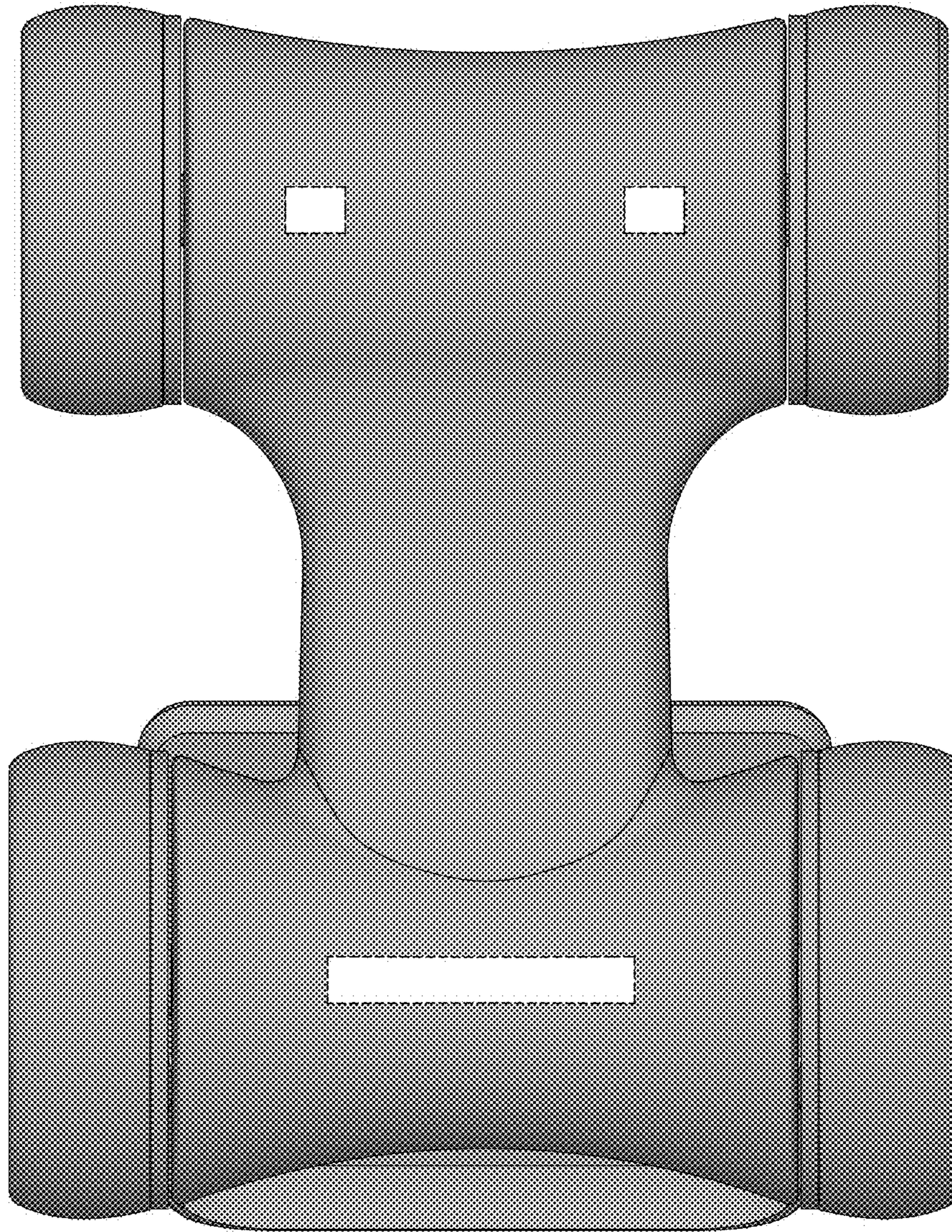


FIG.8