



US00D983891S

(12) **United States Design Patent** (10) **Patent No.:** **US D983,891 S**
Xu (45) **Date of Patent:** **** Apr. 18, 2023**

(54) **TOY CAR**

D939,030 S 12/2021 Ye
D940,254 S * 1/2022 Lin D21/548
D967,288 S * 10/2022 Li D21/550

(71) Applicant: **SHANTOU CITY CHENGHAI
JINGWEI INDUSTRIAL CO., LTD.,**
Shantou (CN)

FOREIGN PATENT DOCUMENTS

(72) Inventor: **Zhaoguo Xu**, Shantou (CN)

CN 202130822353.0 * 12/2021

(**) Term: **15 Years**

OTHER PUBLICATIONS

(21) Appl. No.: **29/854,081**

Spark, announced 2021[online], [site visited Dec. 20, 2022]. Available on internet, URL: [https://www.amazon.com/Spark-S7661-Collectible-Miniature-Black/dp/B09MWBC3SM/ref\(Year: 2021\).](https://www.amazon.com/Spark-S7661-Collectible-Miniature-Black/dp/B09MWBC3SM/ref(Year: 2021).)*

(22) Filed: **Sep. 22, 2022**

* cited by examiner

(30) **Foreign Application Priority Data**

Aug. 18, 2022 (CN) 202230540179.5

(51) **LOC (14) Cl.** **21-01**

(52) **U.S. Cl.**
USPC **D21/548**

(58) **Field of Classification Search**
USPC D12/88, 93, 95, 301, 305, 308, 316;
D21/542, 533, 548, 424, 425, 426, 427,
D21/433, 450, 543, 545, 546, 550, 580,
D21/581

See application file for complete search history.

Primary Examiner — Khawaja Anwar
Assistant Examiner — Julice Seung Eun Oum
(74) *Attorney, Agent, or Firm* — Runit Ranjit Kanakia

(56) **References Cited**

U.S. PATENT DOCUMENTS

D246,613 S * 12/1977 Ogawa D21/550
D506,415 S * 6/2005 Byrne D12/88
D509,264 S * 9/2005 Wei D21/550
D724,492 S * 3/2015 Tombazis D12/88
D755,906 S * 5/2016 Newey D21/550
D851,183 S * 6/2019 Wood D21/549
D868,905 S * 12/2019 Tompkin D21/550
D936,756 S 11/2021 Chen
D937,709 S 12/2021 Manzoni

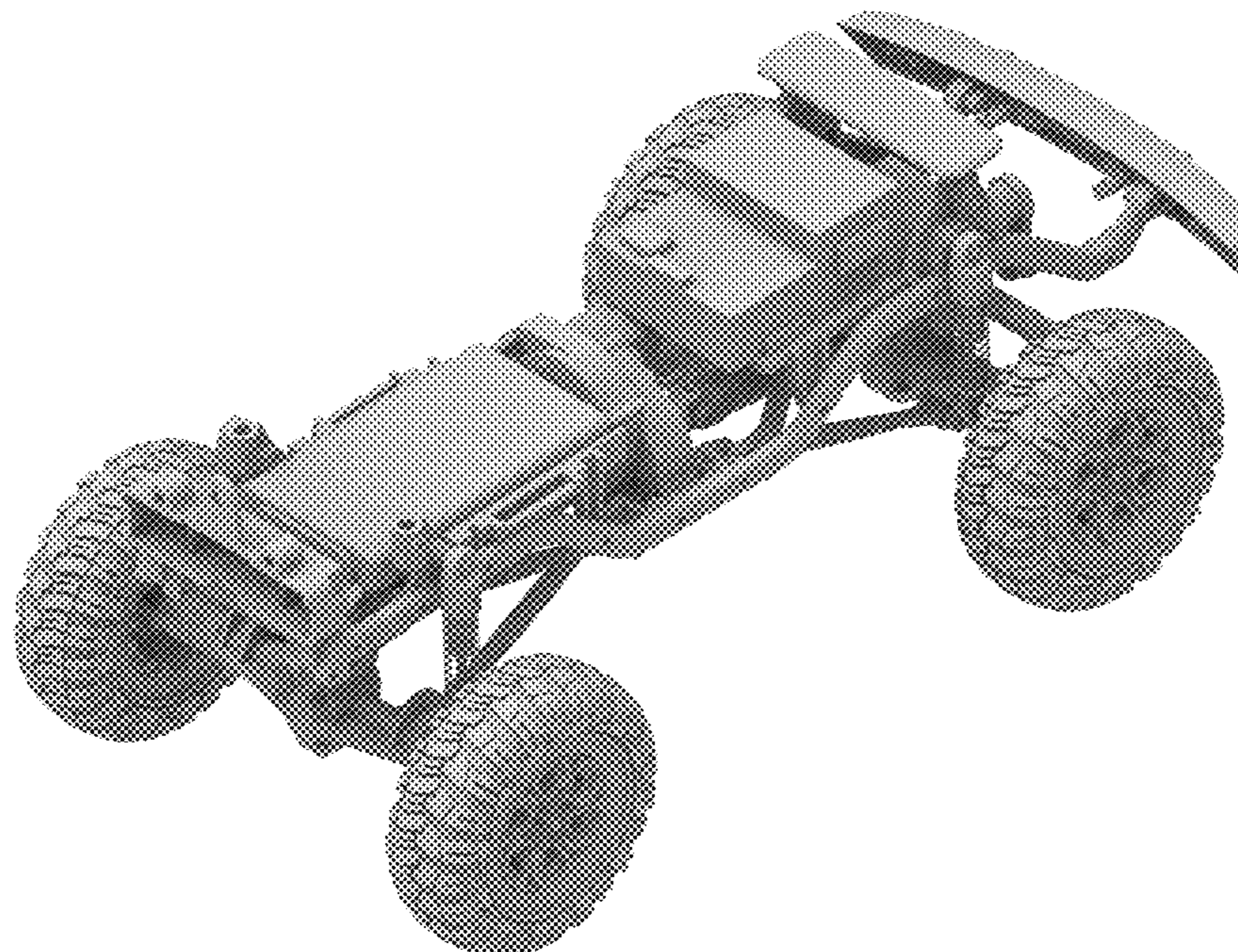
(57) **CLAIM**

The ornamental design for a toy car, as shown and described.

DESCRIPTION

FIG. 1 is a first perspective view of a toy car showing my new design;
FIG. 2 is a second perspective view thereof;
FIG. 3 is a front view thereof;
FIG. 4 is a back view thereof;
FIG. 5 is a left side view thereof;
FIG. 6 is a right side view thereof;
FIG. 7 is a top view thereof; and,
FIG. 8 is a bottom view thereof.
The broken lines shown in the drawings depict portions of the toy car that form no part of the claimed design.

1 Claim, 8 Drawing Sheets



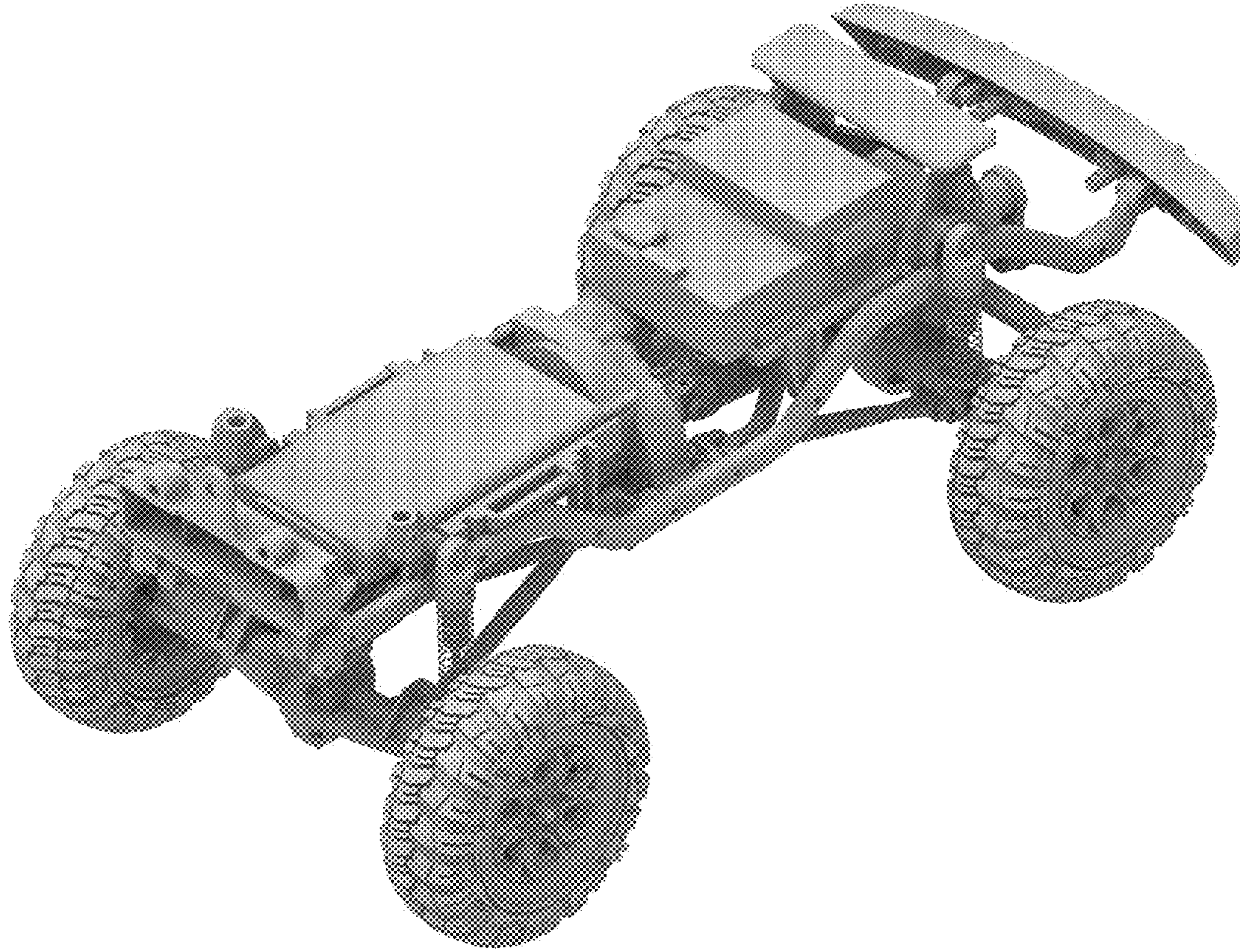


FIG. 1

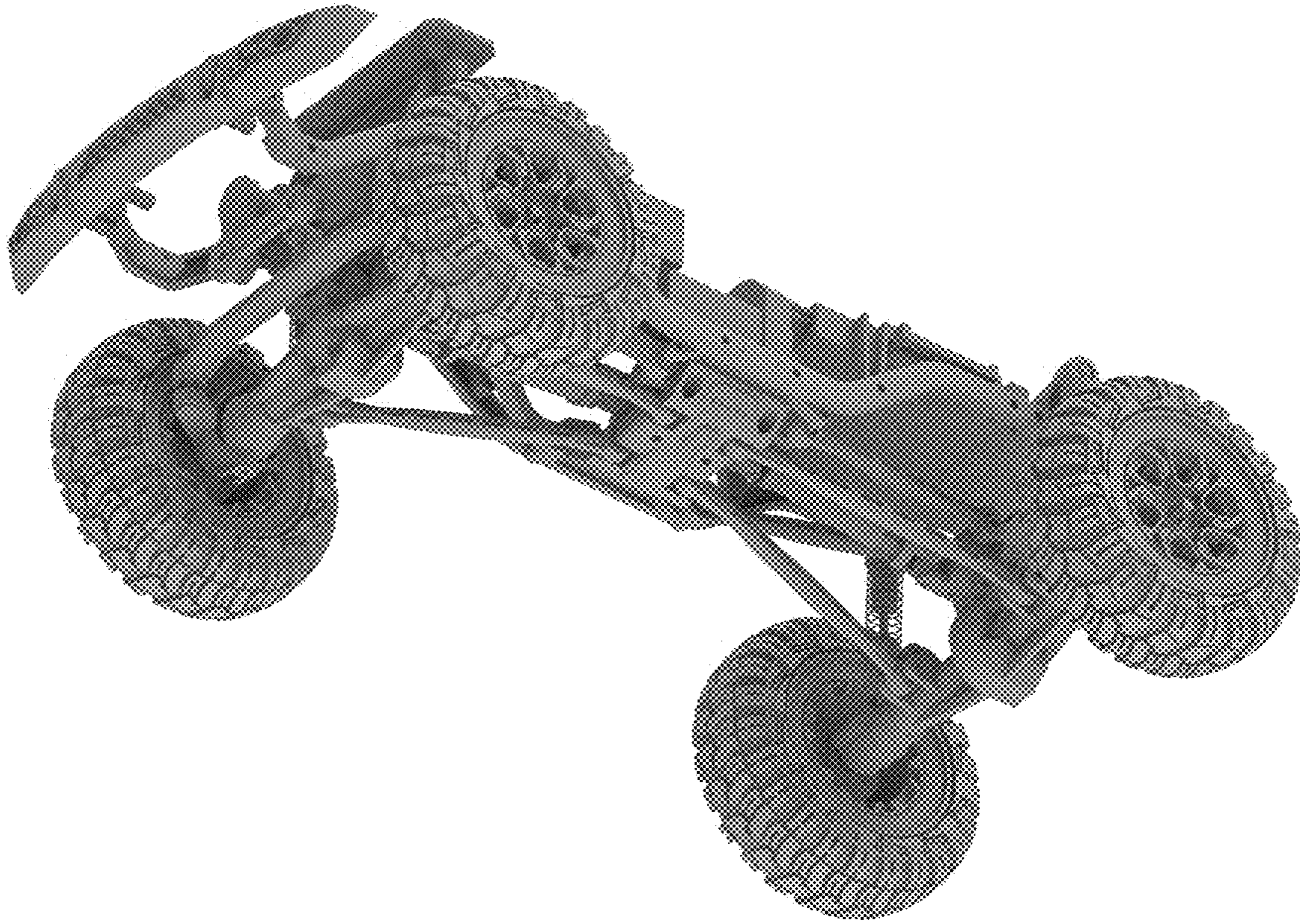


FIG. 2

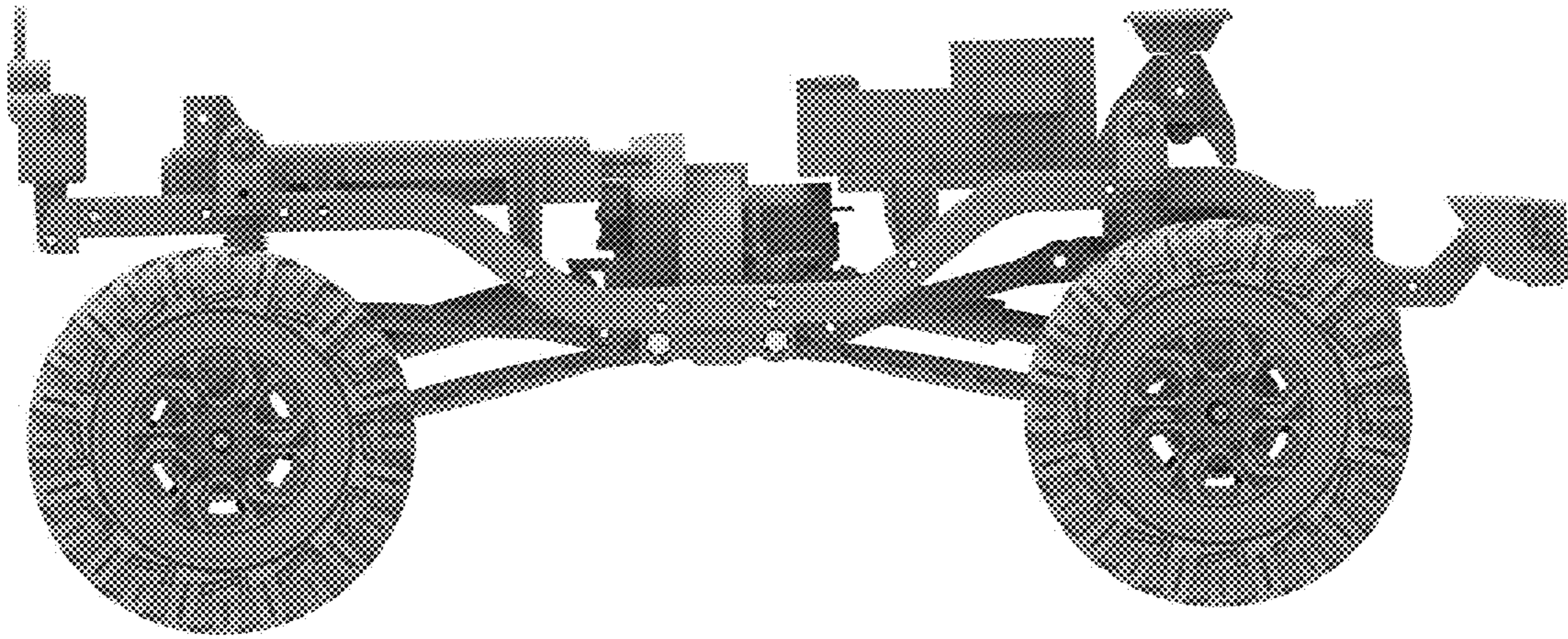


FIG. 3

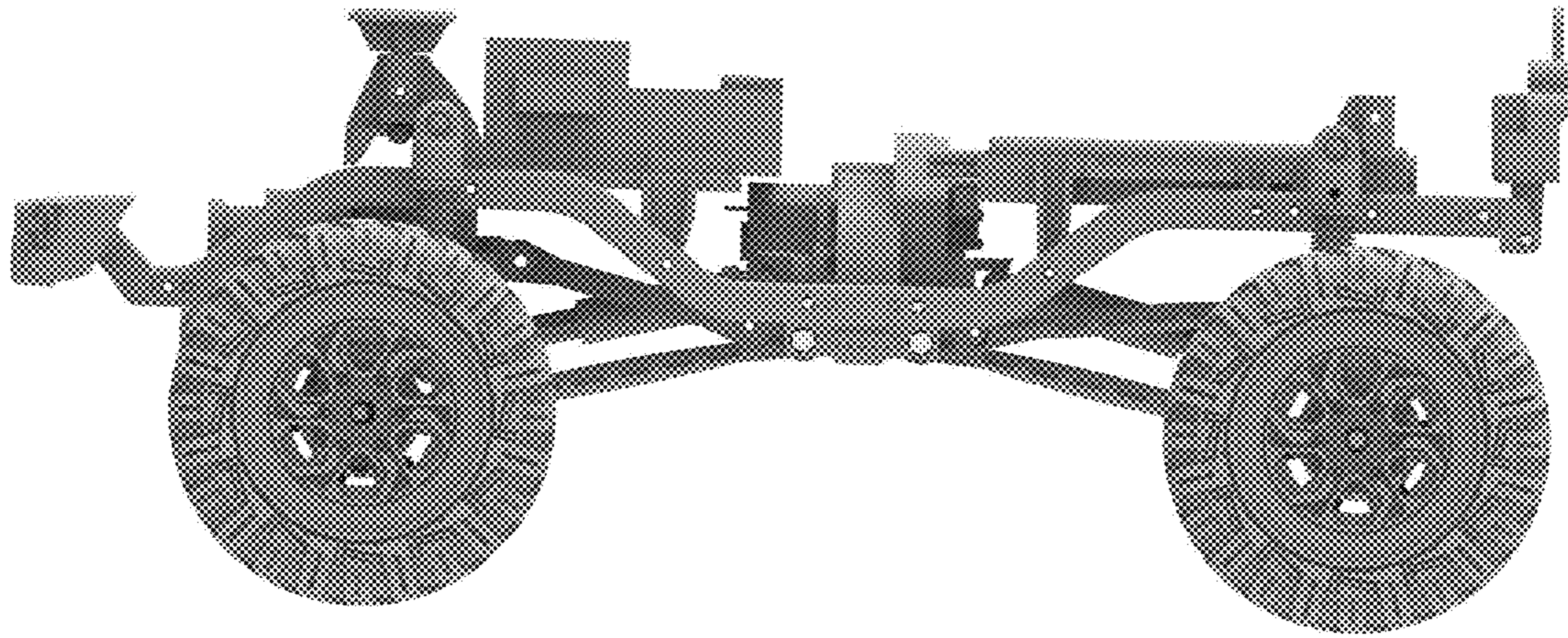


FIG. 4

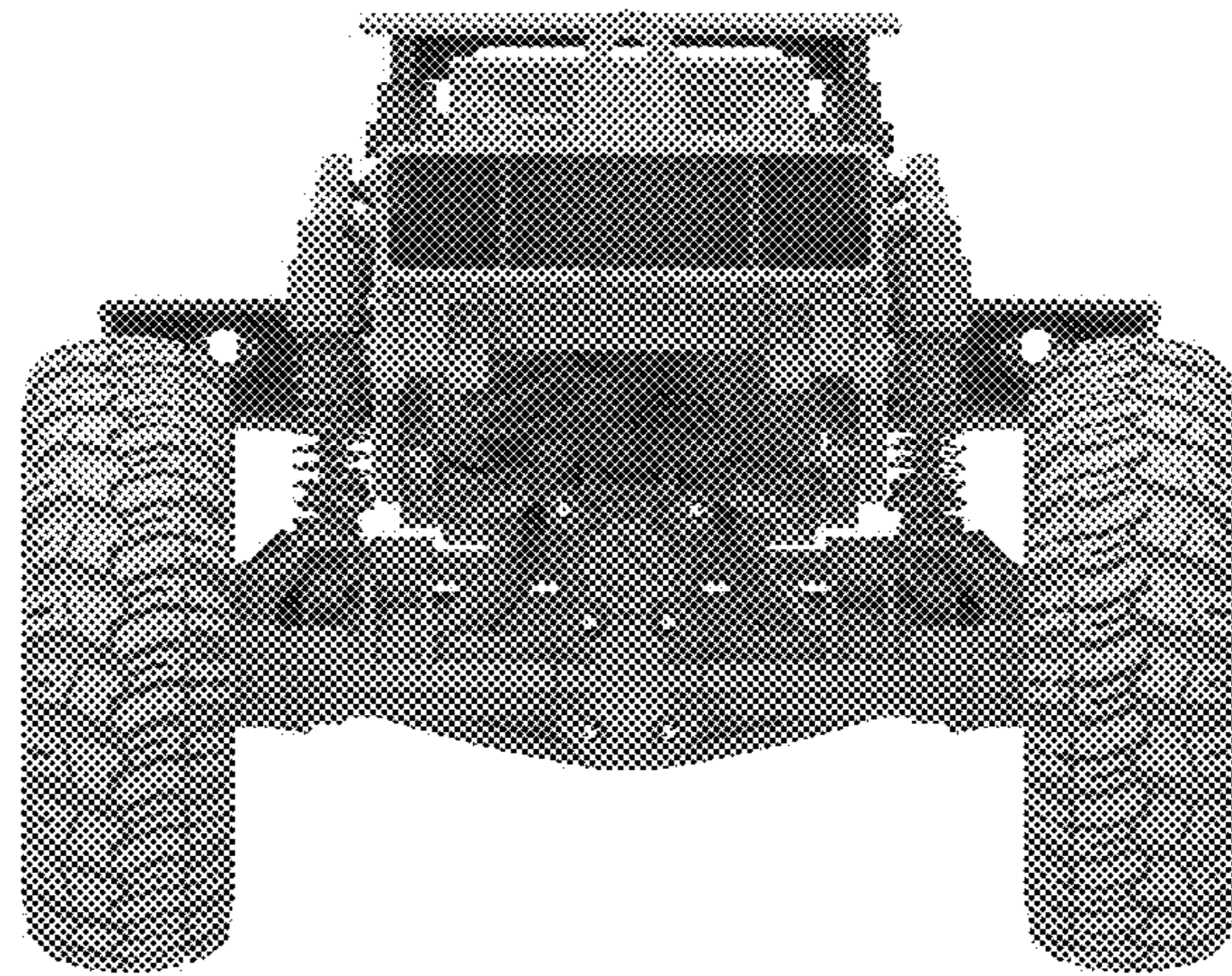


FIG. 5

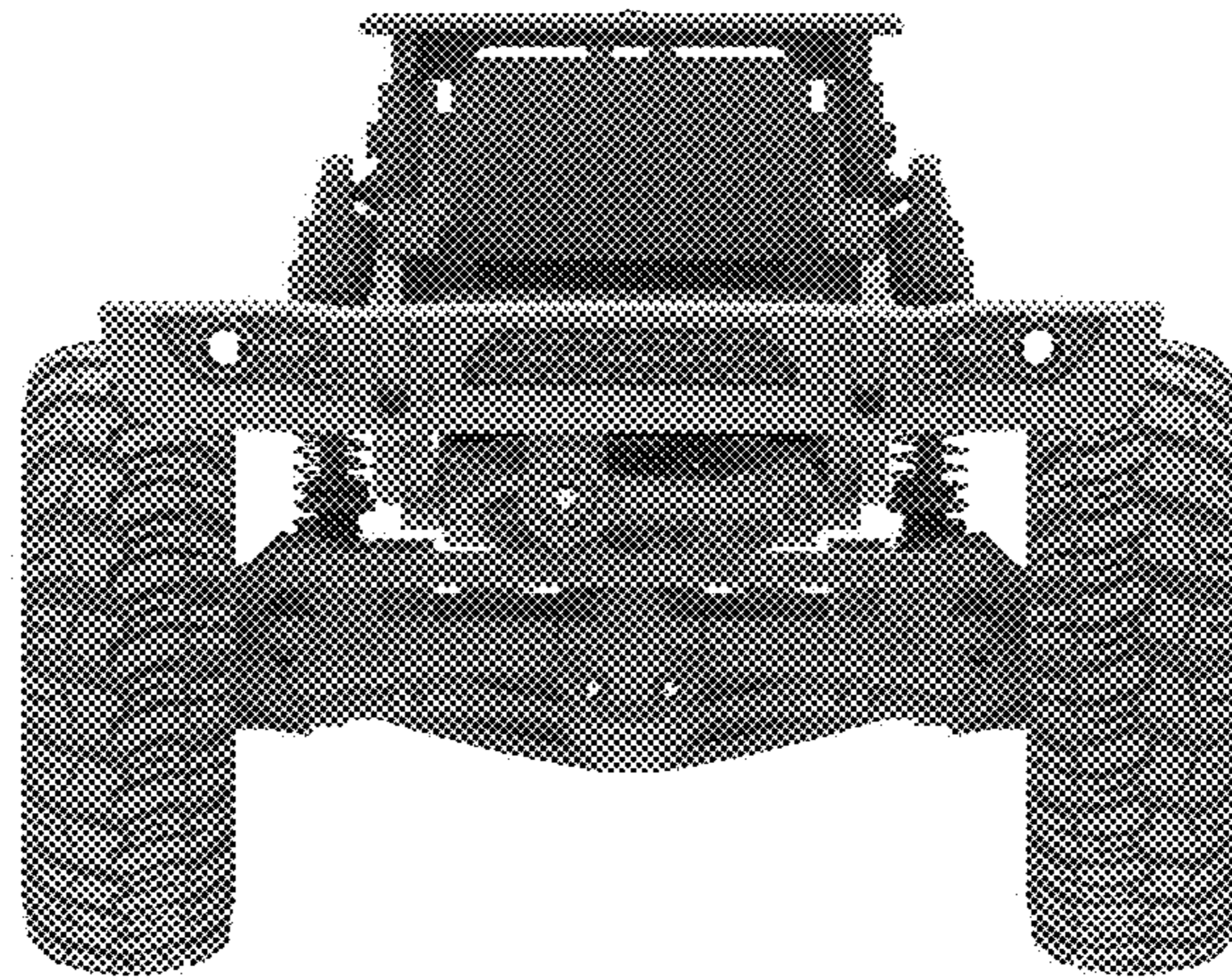


FIG. 6

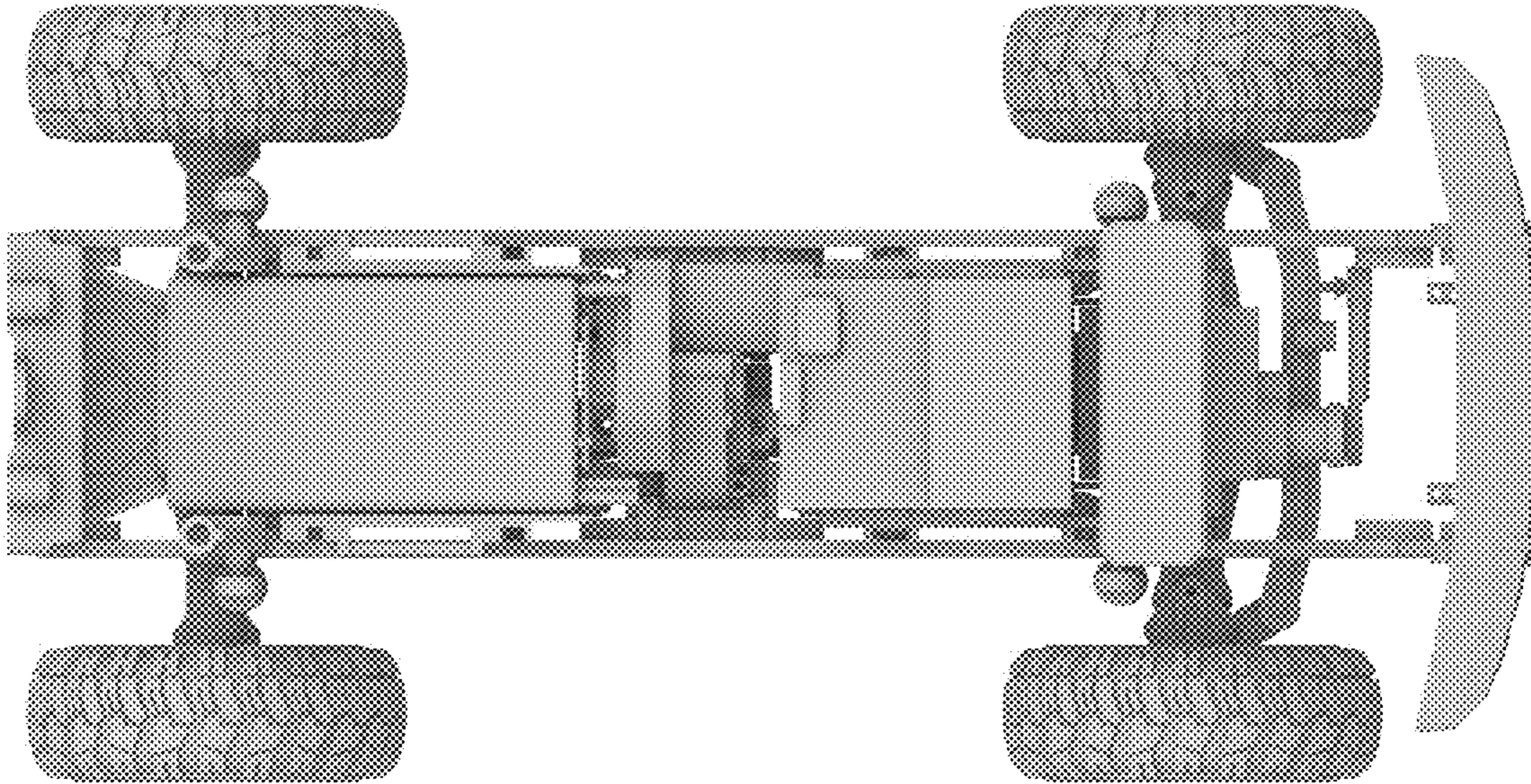


FIG. 7

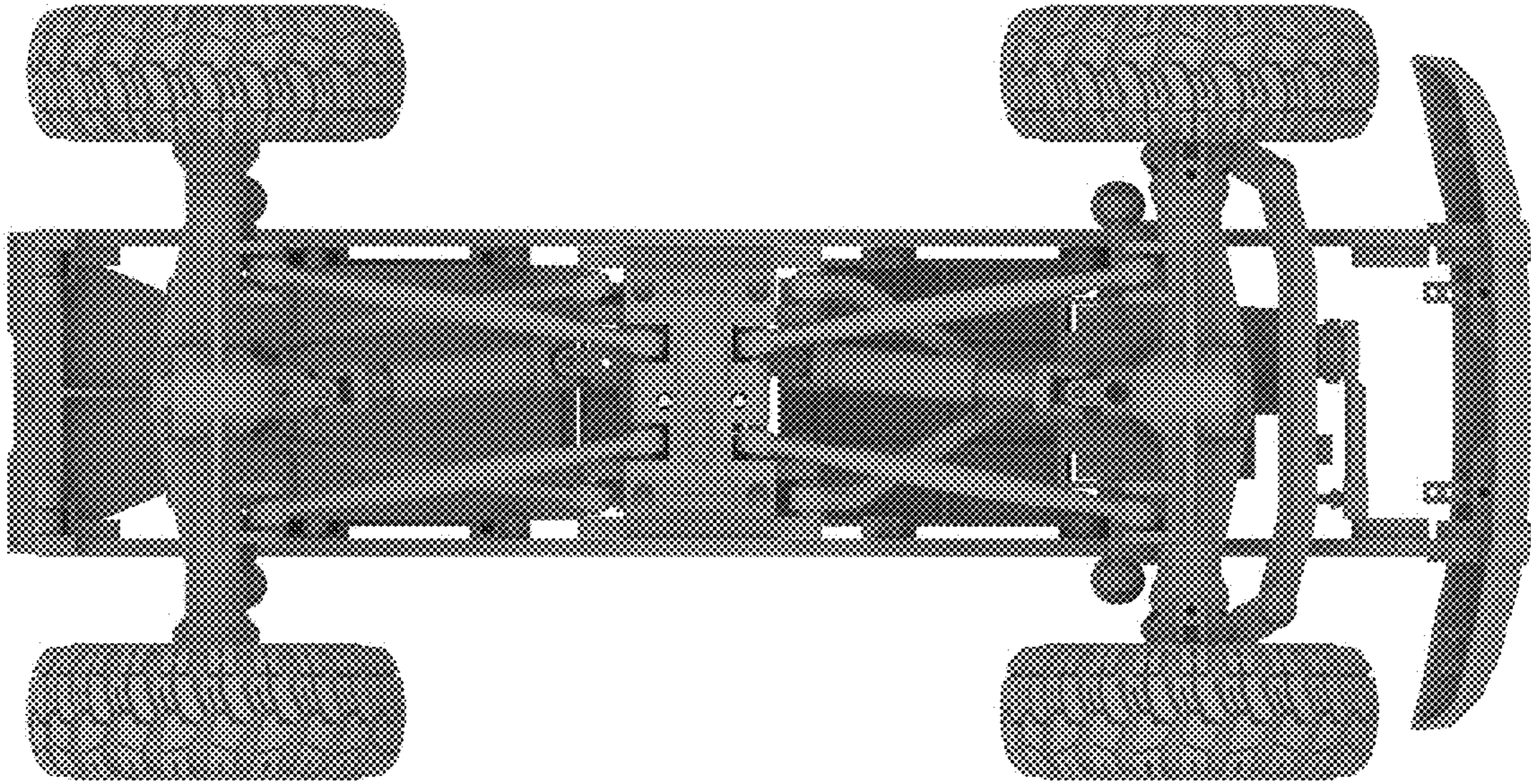


FIG. 8