



US00D983890S

(12) **United States Design Patent** (10) **Patent No.:** **US D983,890 S**
Andersen et al. (45) **Date of Patent:** **** Apr. 18, 2023**

(54) **BUILDING BLOCK**
(71) Applicants: **Matthew Andersen**, Omaha, NE (US);
Warren Wilson, Christies Beach (AU)

D420,711 S * 2/2000 Glickman D21/504
D426,933 S * 6/2000 Redfern D21/491
D443,659 S * 6/2001 Jang D21/500
D487,932 S * 3/2004 Crooks D25/113
(Continued)

(72) Inventors: **Matthew Andersen**, Omaha, NE (US);
Warren Wilson, Christies Beach (AU)

FOREIGN PATENT DOCUMENTS

(**) Term: **15 Years**

CN 305441213 * 11/2019
HK 2117381-0010 * 2/2021
KR 3009428490010 * 5/2018

(21) Appl. No.: **29/746,774**

OTHER PUBLICATIONS

(22) Filed: **Aug. 17, 2020**

(51) **LOC (14) Cl.** **21-01**

(52) **U.S. Cl.**
USPC **D21/492**

Lego Classic Bricks and Building Blocks, available on hamleys.in, [site visited Apr. 7, 2022], URL: <https://www.hamleys.in/product/lego-classic-bricks-and-ideas-building-blocks-123-pcs-11001-491490614> (Year: 2022).*
(Continued)

(58) **Field of Classification Search**
USPC D21/381, 484, 485, 486, 489, 491, 492,
D21/494, 498, 499, 500, 501, 502, 503,
D21/504, 505, 344, 398, 455, 467, 468,
D21/470, 473, 475, 478, 479, 480, 645;
D11/133, 157; D30/160
CPC A63F 9/06; A63F 9/0601; A63H 33/04;
G09B 1/00; G09B 1/02; G09B 1/06
See application file for complete search history.

Primary Examiner — Dana K Weiland
Assistant Examiner — Emily Anna Saunders
(74) *Attorney, Agent, or Firm* — Suiter Swantz pc llo

(57) **CLAIM**

The ornamental design for a building block, as shown and described.

(56) **References Cited**

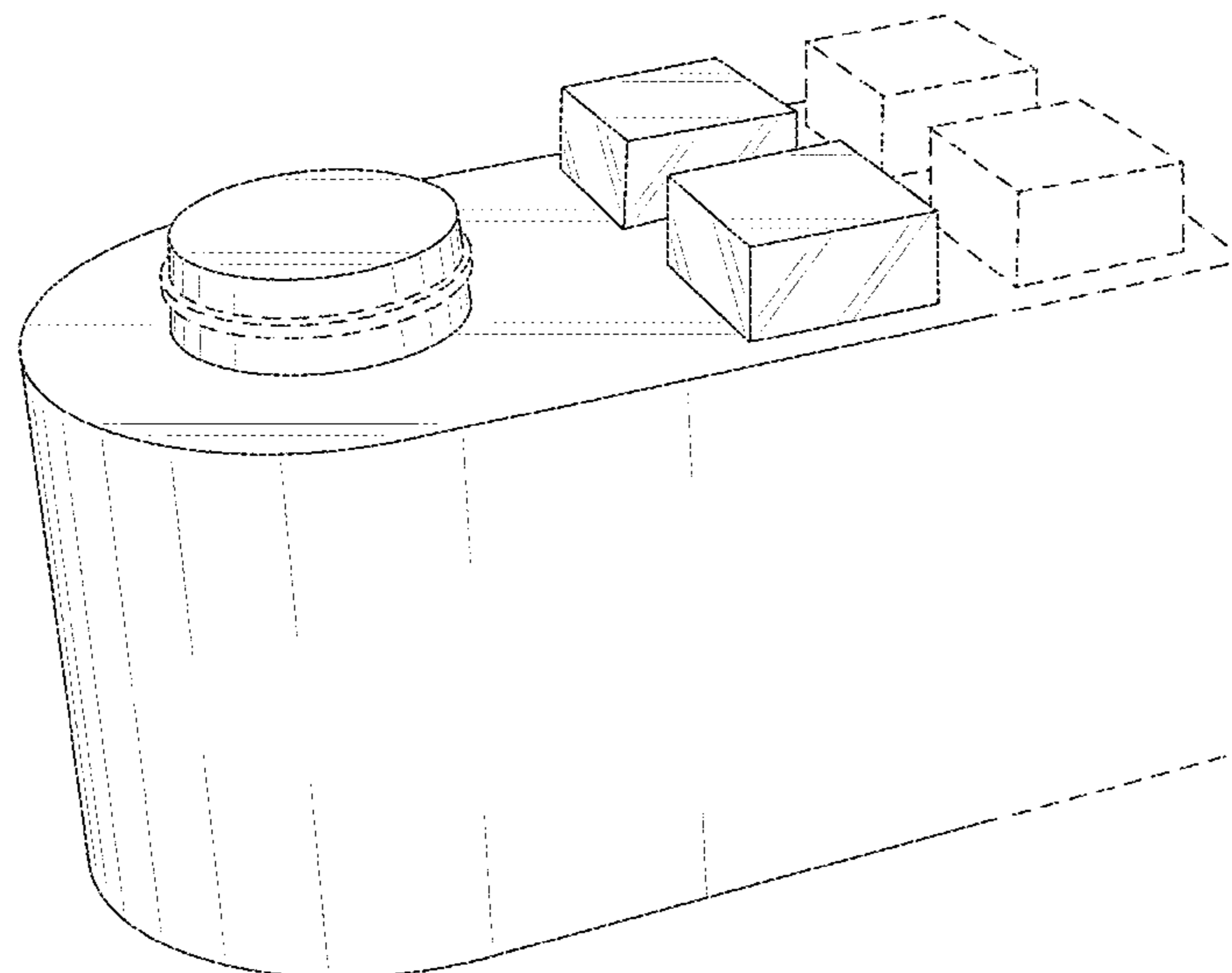
U.S. PATENT DOCUMENTS

3,566,531 A * 3/1971 Hasel A63H 33/065
446/120
D285,100 S * 8/1986 Volpe D21/505
D285,813 S * 9/1986 Takahashi D21/501
D301,260 S * 5/1989 McLaughlin D21/500
D315,376 S * 3/1991 Meyer D21/502
5,061,218 A * 10/1991 Garage A63H 33/086
446/128
D340,749 S * 10/1993 Lyman D21/503
D350,824 S * 9/1994 Perrin, Jr. D25/113
D354,319 S * 1/1995 Wilson D21/503
5,402,609 A * 4/1995 Kelley, Jr. E04B 2/32
52/561
D362,473 S * 9/1995 Lyman D21/489
D378,837 S * 4/1997 Olsen D21/500

DESCRIPTION

FIG. 1 is a top perspective view of a building block;
FIG. 2 is a bottom perspective view of a building block;
FIG. 3 is a top view of a building block;
FIG. 4 is a bottom view of a building block;
FIG. 5 is a side view of a building block;
FIG. 6 is a side view of a building block;
FIG. 7 is a rear view of a building block; and,
FIG. 8 is a front view of a building block.
The broken line portions of the drawings are included to show portions of the building block that form no part of the claimed design.

1 Claim, 8 Drawing Sheets



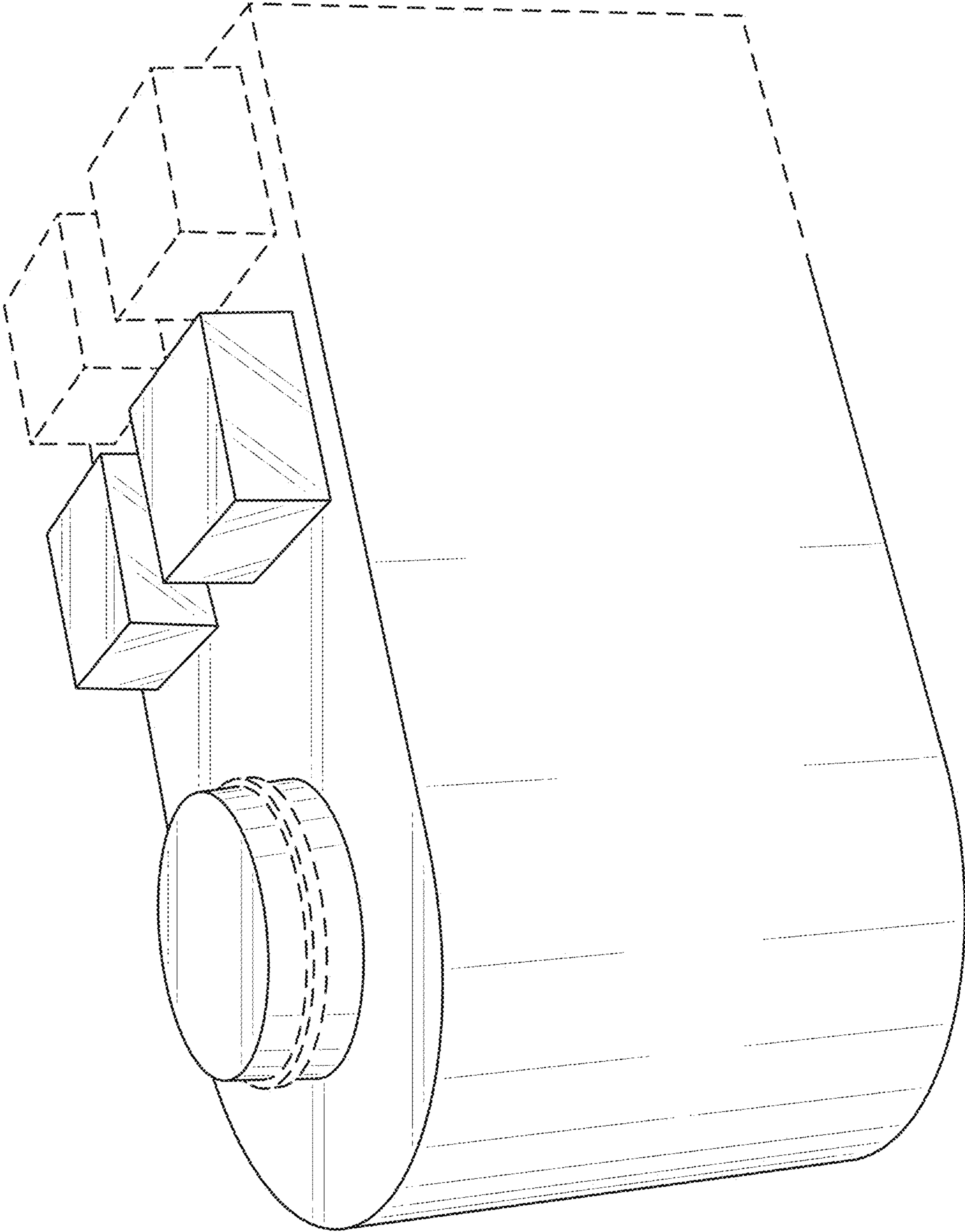


FIG. 1

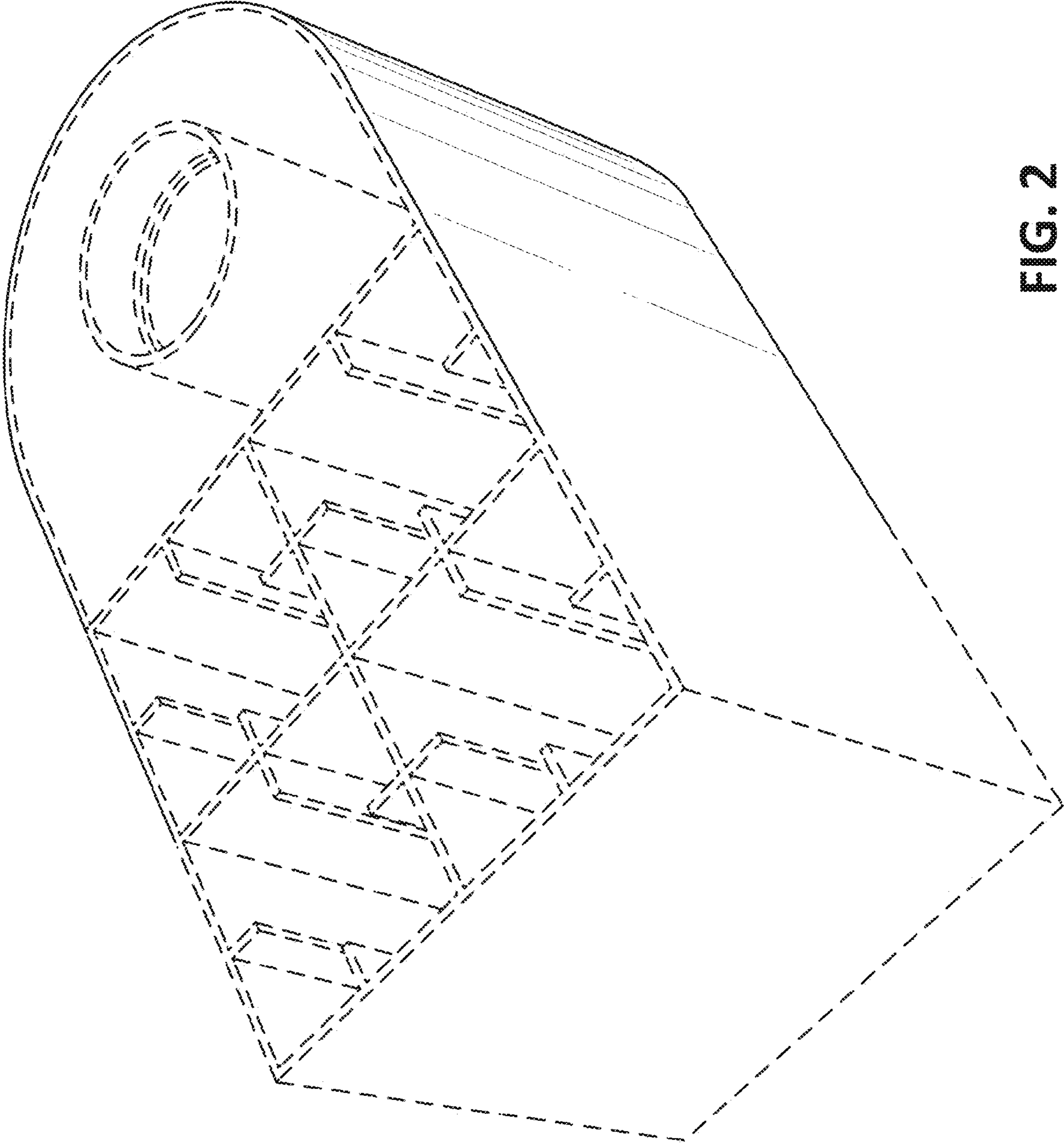


FIG. 2

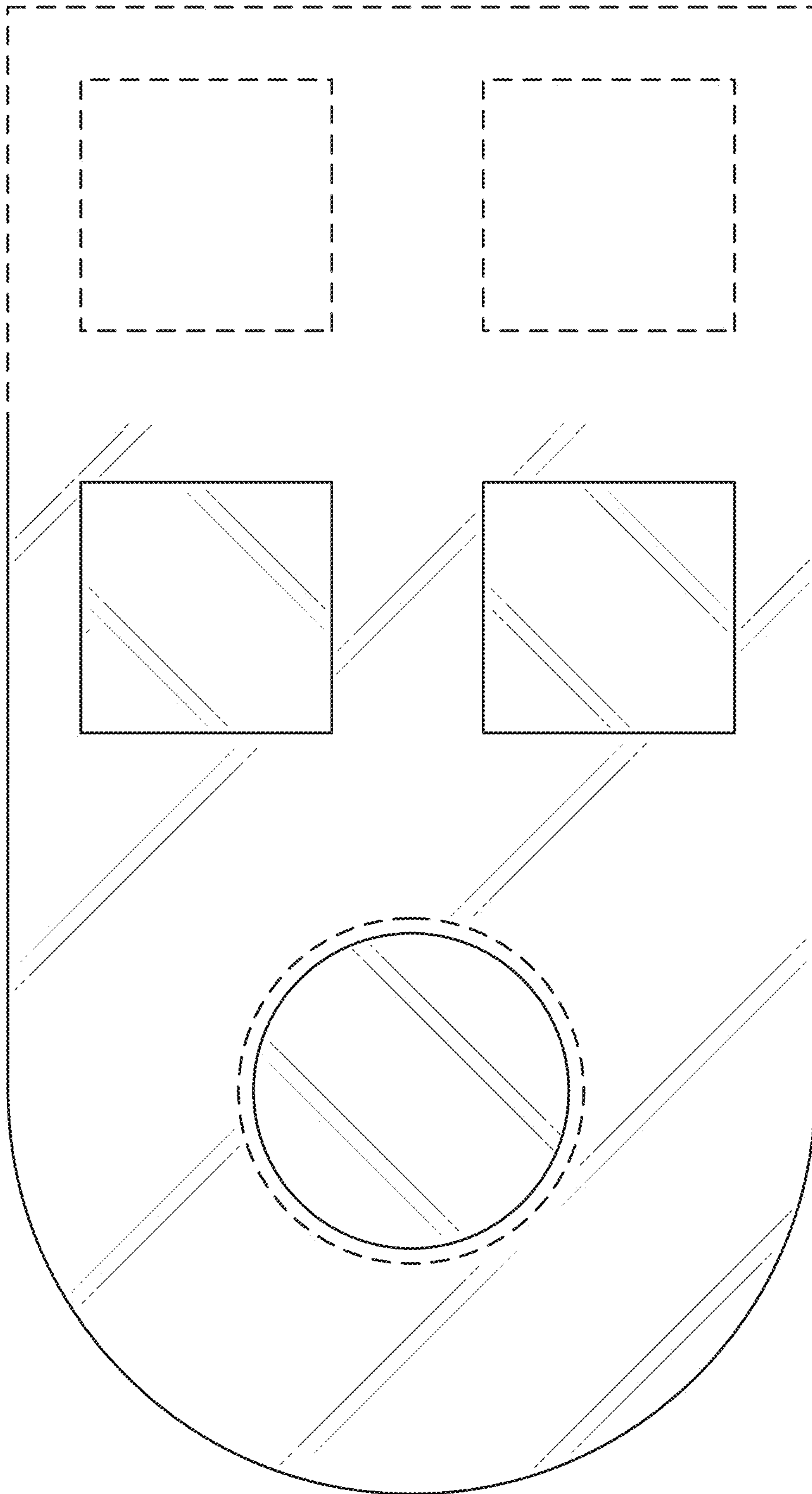


FIG. 3

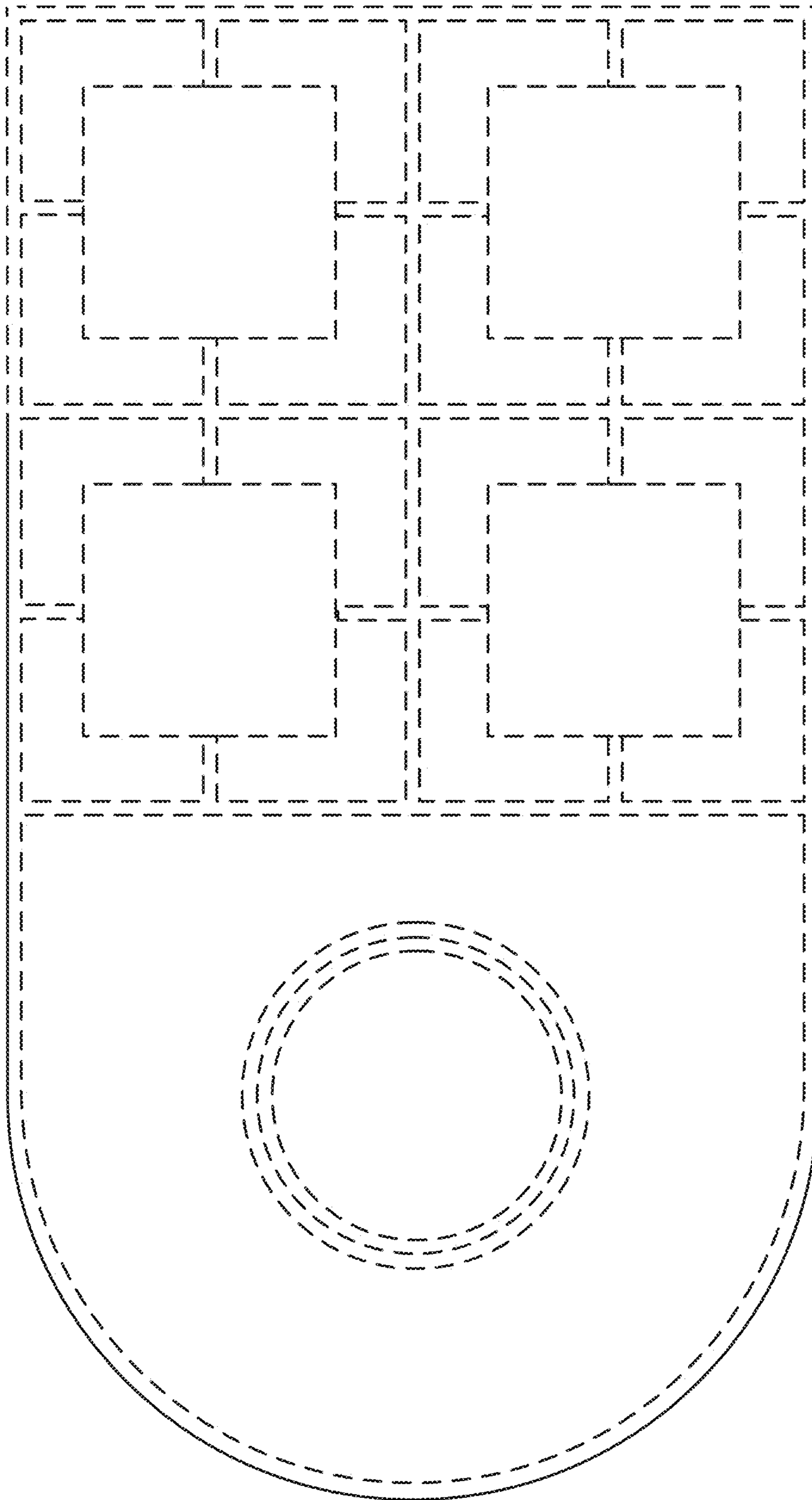


FIG. 4

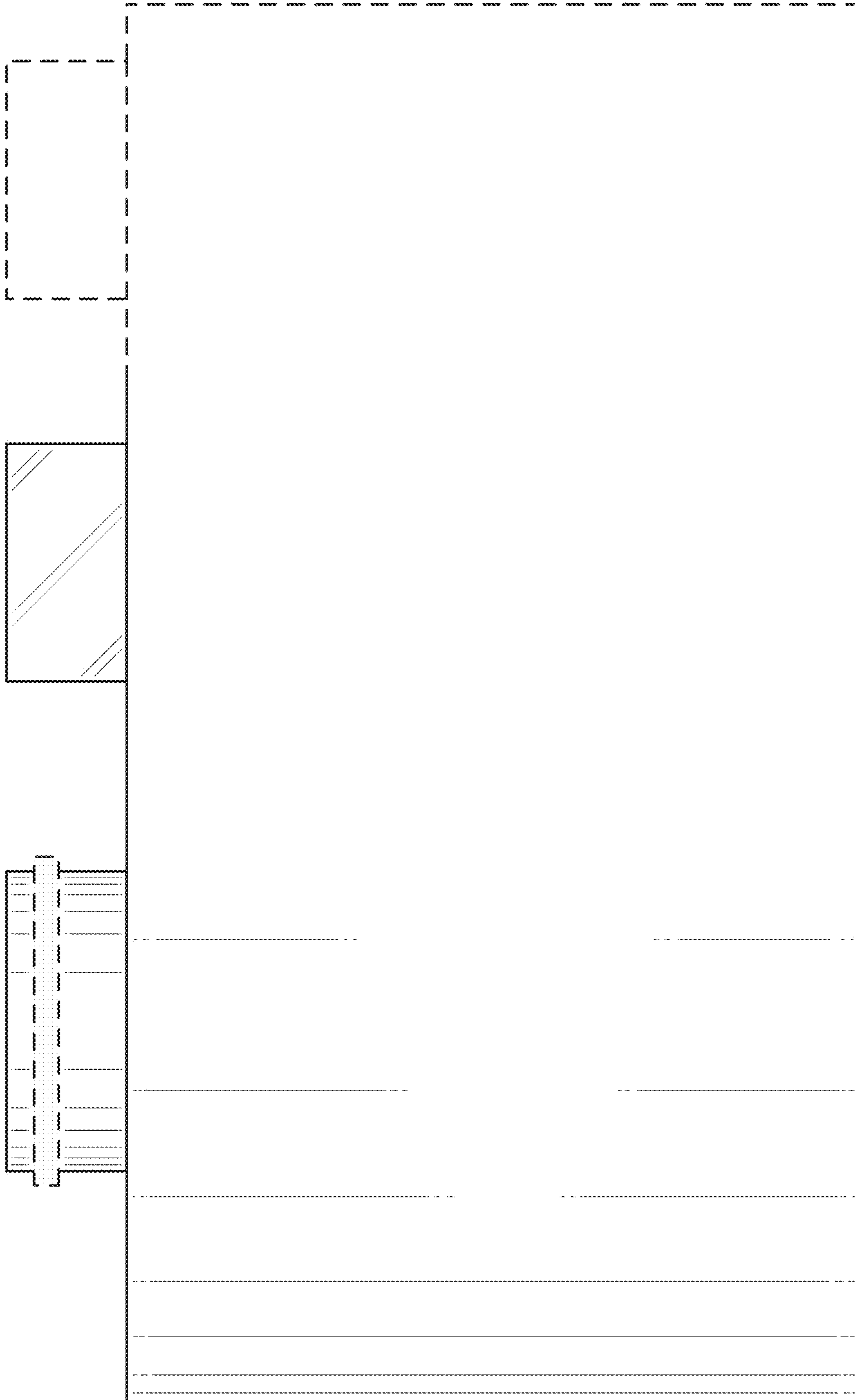


FIG. 5

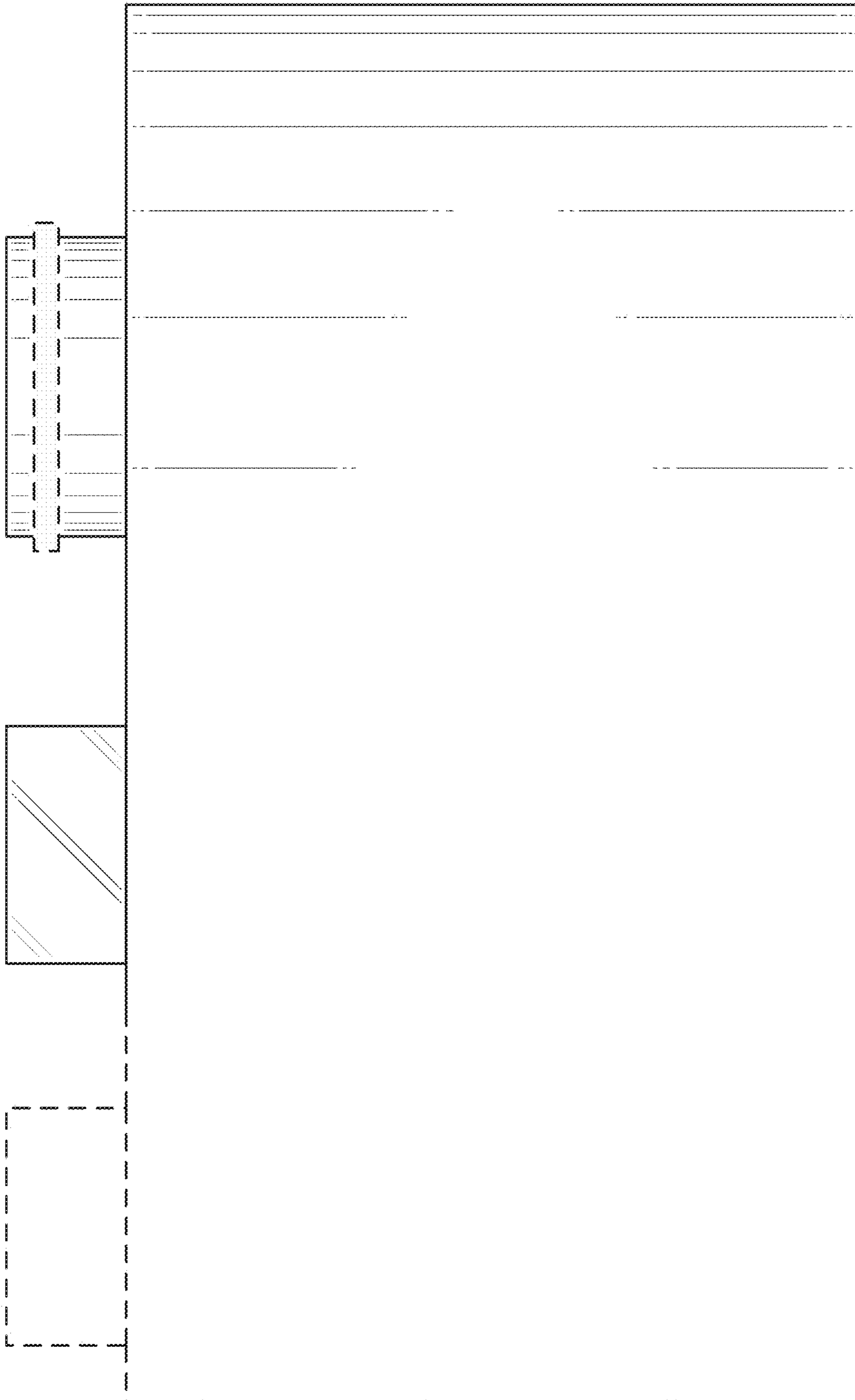


FIG. 6

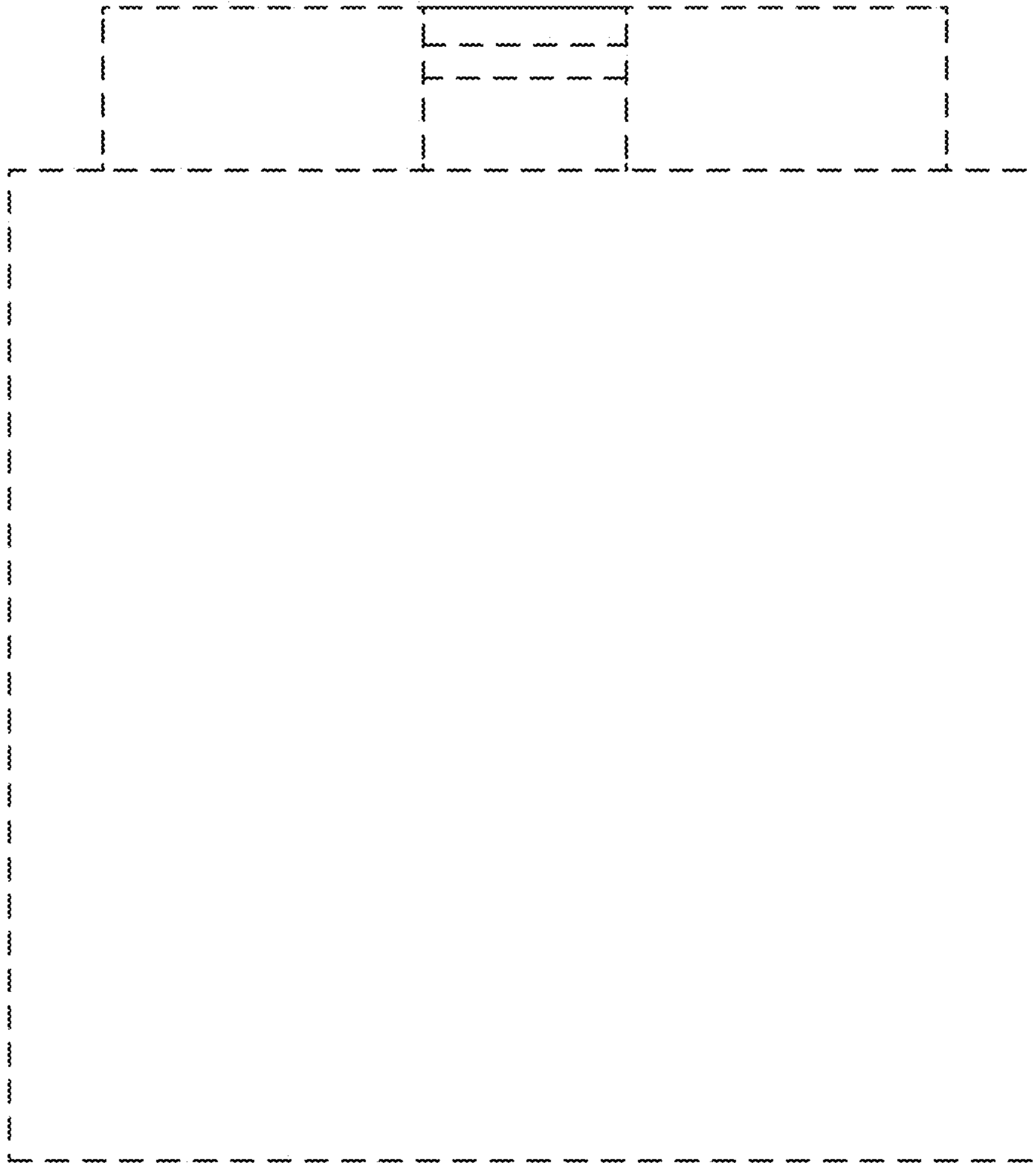


FIG. 7

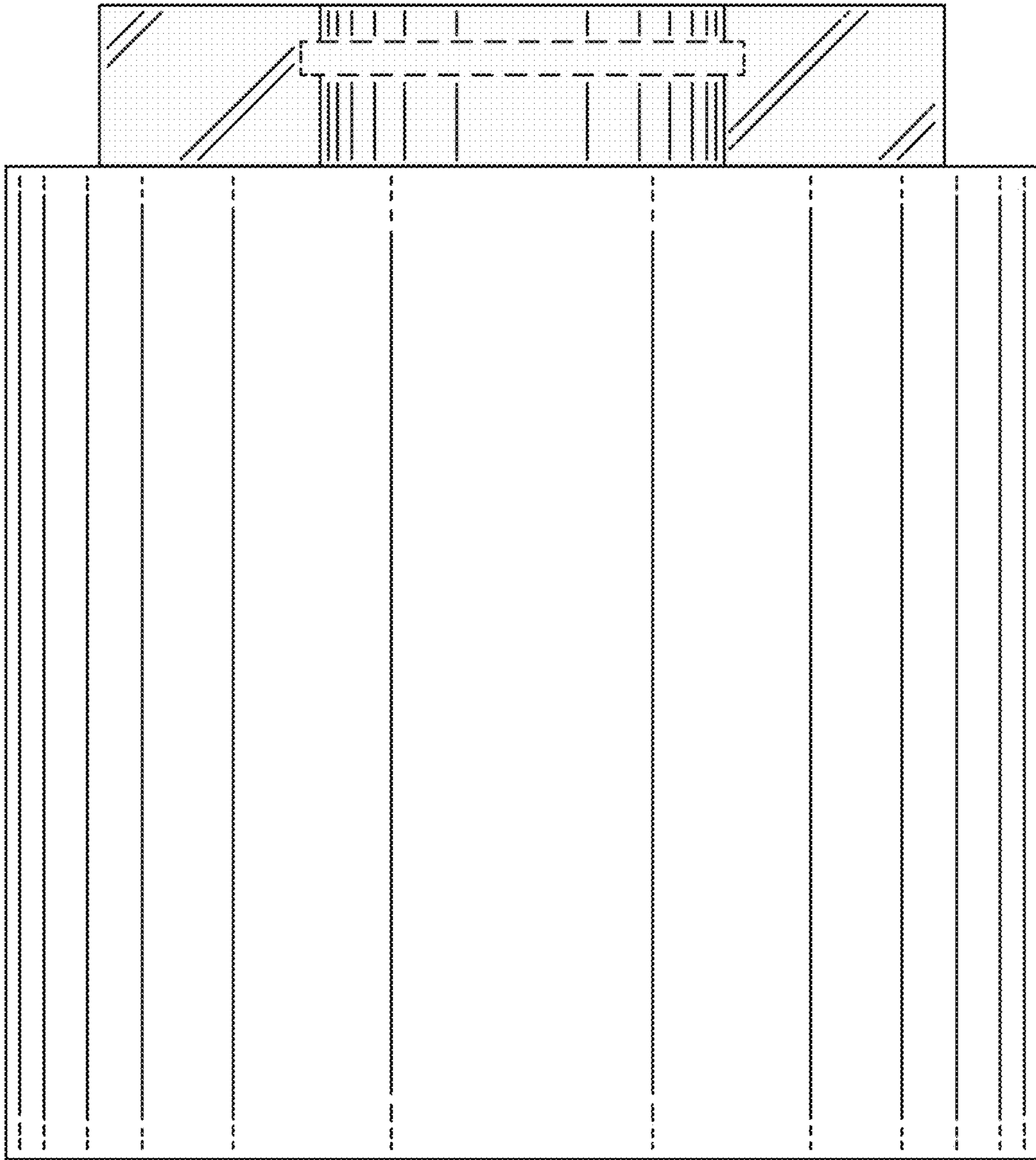


FIG. 8