



US00D983888S

(12) **United States Design Patent**
Guo

(10) **Patent No.:** **US D983,888 S**

(45) **Date of Patent:** **** Apr. 18, 2023**

(54) **TOY**
(71) Applicant: **Guangdong Five stars Toys Co., Ltd.,**
Guangdong (CN)
(72) Inventor: **Shuzhong Guo,** Guangdong (CN)
(**) Term: **15 Years**
(21) Appl. No.: **29/836,083**
(22) Filed: **Apr. 25, 2022**

5,441,435 A * 8/1995 Shiraiishi A63H 18/025
446/446
D368,759 S 4/1996 Fuligni
D422,652 S * 4/2000 Watanabe D21/564
D597,611 S * 8/2009 Auberger D21/509
D719,220 S * 12/2014 Chase D21/468
D726,274 S 4/2015 Kasahara
D783,735 S * 4/2017 Yano D21/530
9,925,471 B2 * 3/2018 Flores A63H 18/00
D898,838 S * 10/2020 Chen D21/564
D931,379 S * 9/2021 Xu D21/475
D957,537 S * 7/2022 Zhang D21/564
D961,003 S * 8/2022 Cai D21/468

(Continued)

(30) **Foreign Application Priority Data**

Jan. 18, 2022 (CN) 202230032608.8

(51) **LOC (14) Cl.** **21-01**

(52) **U.S. Cl.**
USPC **D21/468; D21/564**

(58) **Field of Classification Search**
USPC D21/419, 470, 410, 405, 408, 409, 468,
D21/475, 407, 456, 459, 461, 564, 325,
D21/326, 327, 336, 341, 342, 398
CPC A63F 9/06; A63F 9/001; A63F 9/1204;
A63F 7/3622; A63F 7/28; A63H 33/30;
A63H 33/00; A63H 5/00; A63H 13/00;
A63H 15/00; A63H 15/02; A63H 18/00;
A63H 18/02; A63H 18/04; A63H 18/026;
A63H 29/08; A63B 69/0053; G09B 1/36
See application file for complete search history.

(56) **References Cited**

U.S. PATENT DOCUMENTS

D271,120 S * 10/1983 Matsumoto D21/564
D273,503 S 4/1984 Mariol
D290,028 S * 5/1987 Wichman D21/565
D290,143 S * 6/1987 Wichman D21/564
D293,696 S * 1/1988 Wichman D21/565
D294,044 S * 2/1988 Wichman D21/565
D294,378 S 2/1988 Spirk, Jr. et al.
D302,032 S * 7/1989 Kamikawa D21/564

OTHER PUBLICATIONS

“Toddler Toys”, Aug. 24, 2022, Amazon, site visited Sep. 17,
2022:https://amzn.to/3eUKtlg (Year: 2022).*

(Continued)

Primary Examiner — Jack Reickel
Assistant Examiner — Salamah Jordan

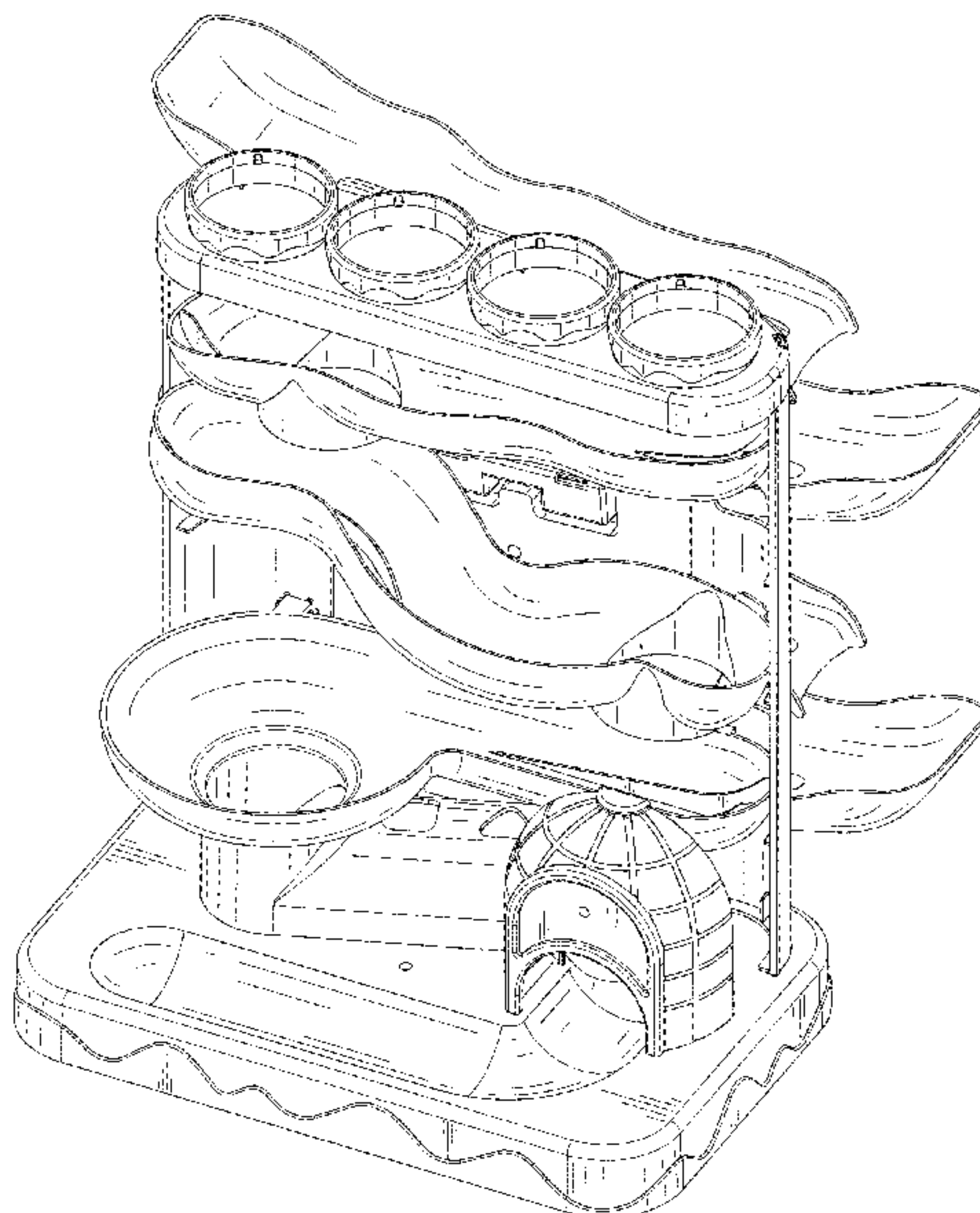
(57) **CLAIM**

The ornamental design for a toy, as shown and described.

DESCRIPTION

FIG. 1 is a perspective view of a toy, showing my new design;
FIG. 2 is another perspective view thereof;
FIG. 3 is a front elevational view thereof;
FIG. 4 is a rear elevational view thereof;
FIG. 5 is a left elevational view thereof;
FIG. 6 is a right elevational view thereof;
FIG. 7 is a top plan view thereof; and,
FIG. 8 is a bottom plan view thereof.
The broken line showing of a toy is included for the purpose of illustrating portions of the article and forms no part of the claimed design.

1 Claim, 8 Drawing Sheets



(56)

References Cited

U.S. PATENT DOCUMENTS

D961,011 S * 8/2022 Yang D21/564
D962,353 S * 8/2022 Cai D21/456
D965,077 S * 9/2022 Lu D21/564
2002/0094745 A1* 7/2002 Henry A63H 33/32
446/70
2012/0034840 A1* 2/2012 Shallah A63H 18/00
446/153
2015/0079875 A1* 3/2015 Flores A63F 7/3622
446/431
2016/0136534 A1* 5/2016 Earl-Ocran A63H 30/04
446/175
2016/0310857 A1* 10/2016 Effler A63H 18/02

OTHER PUBLICATIONS

“Toddlers Toys for 1 2 3 Years Old Kids” Mar. 17, 2022, Amazon, site visited Sep. 17, 2022: <https://amzn.to/3qMlrr7> (Year: 2022).*

“Award Winning Pound a Ball” Aug. 5, 2022, Amazon, site visited Sep. 17, 2022: <https://amzn.to/3di4wd7> (Year: 2022).*

“Battat—Pound & Roll” Nov. 25, 2020, Youtube, site visited Sep. 19, 2022: <https://www.youtube.com/watch?v=WKdm5xoTDK4> (Year: 2020).*

“Durable Pound A Ball Toys” Jul. 18, 2018, Amazon, site visited Dec. 5, 2022: <https://amzn.to/3iGrtZs> (Year: 2018).*

* cited by examiner

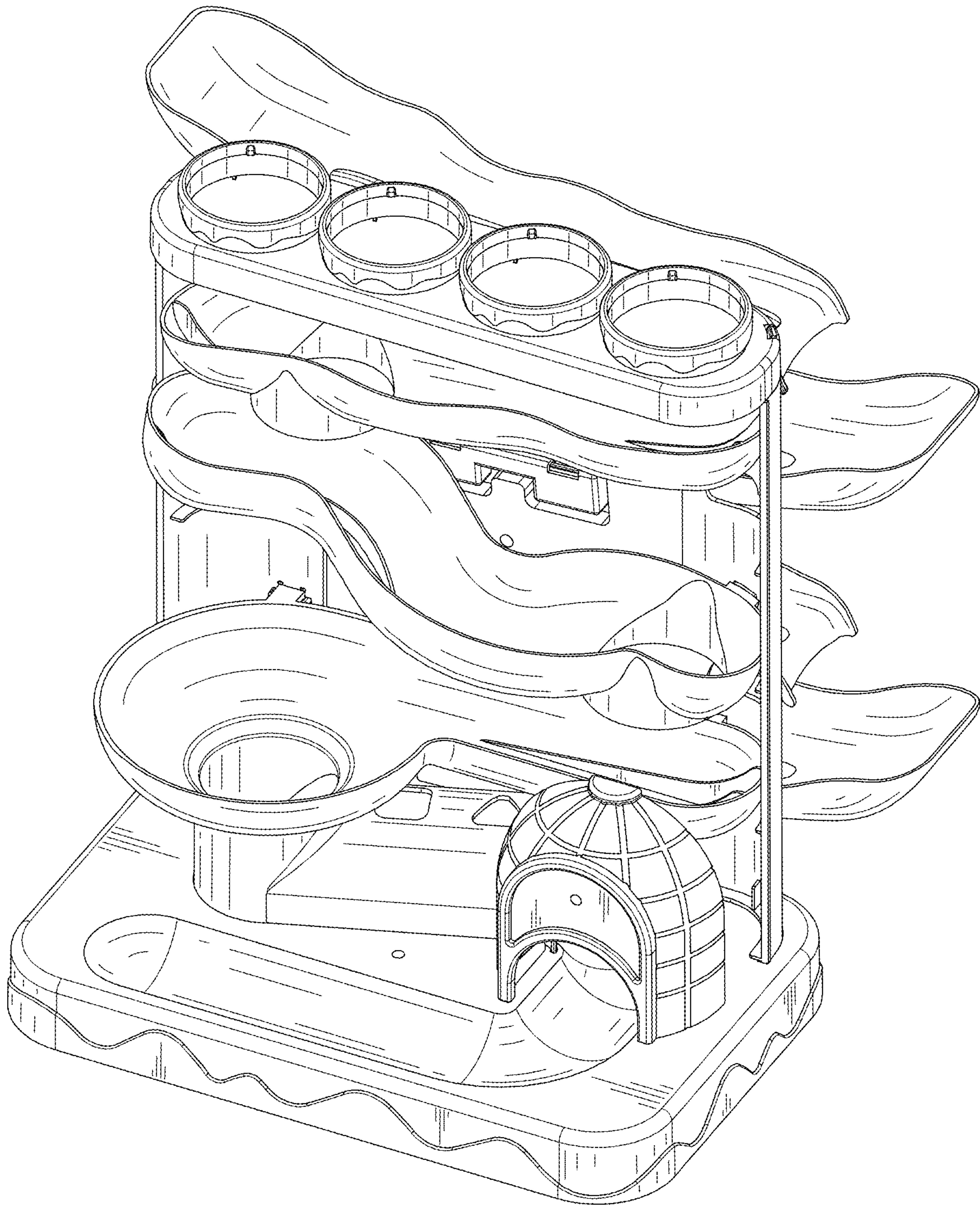


FIG. 1

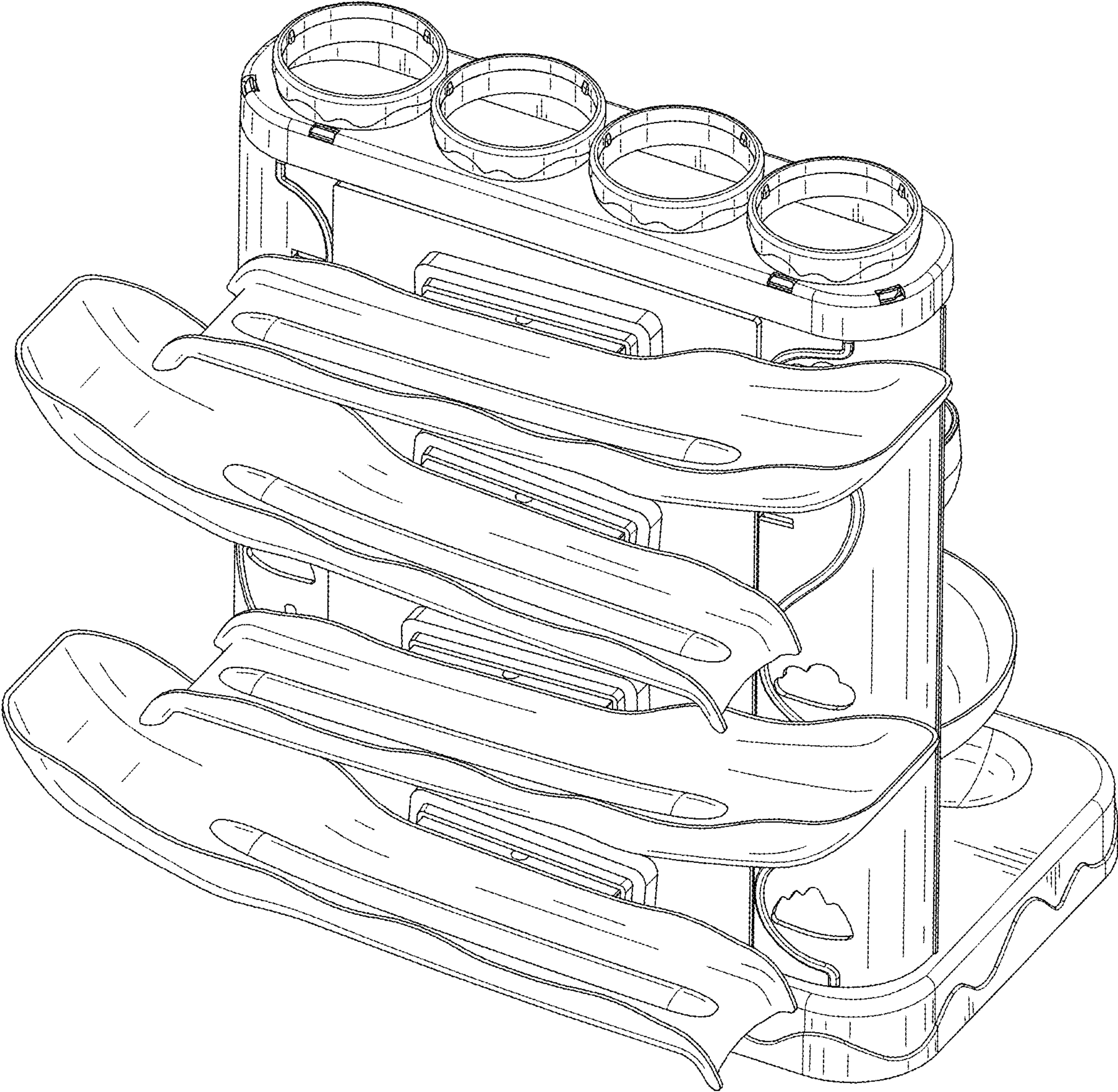


FIG. 2

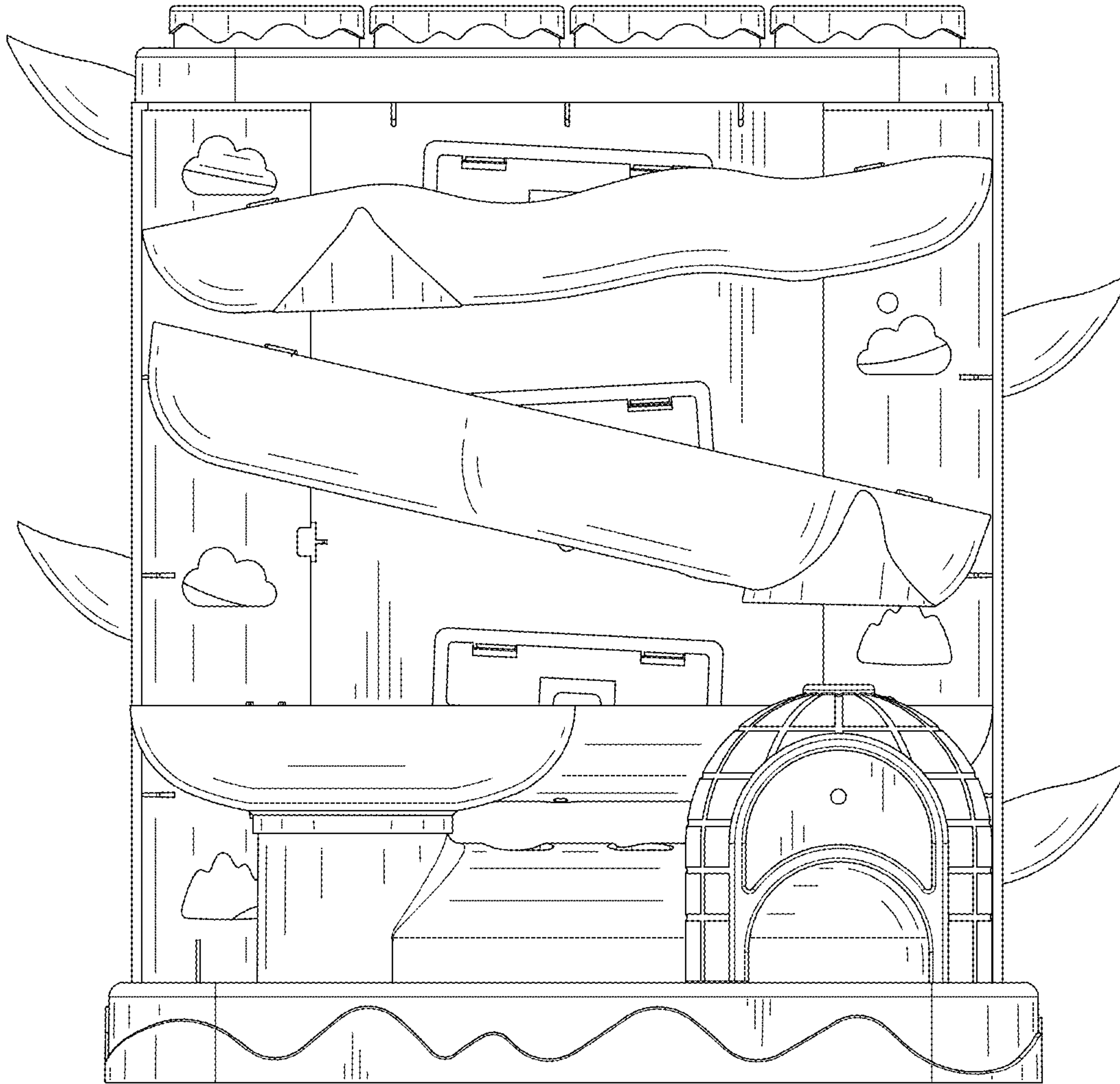


FIG. 3

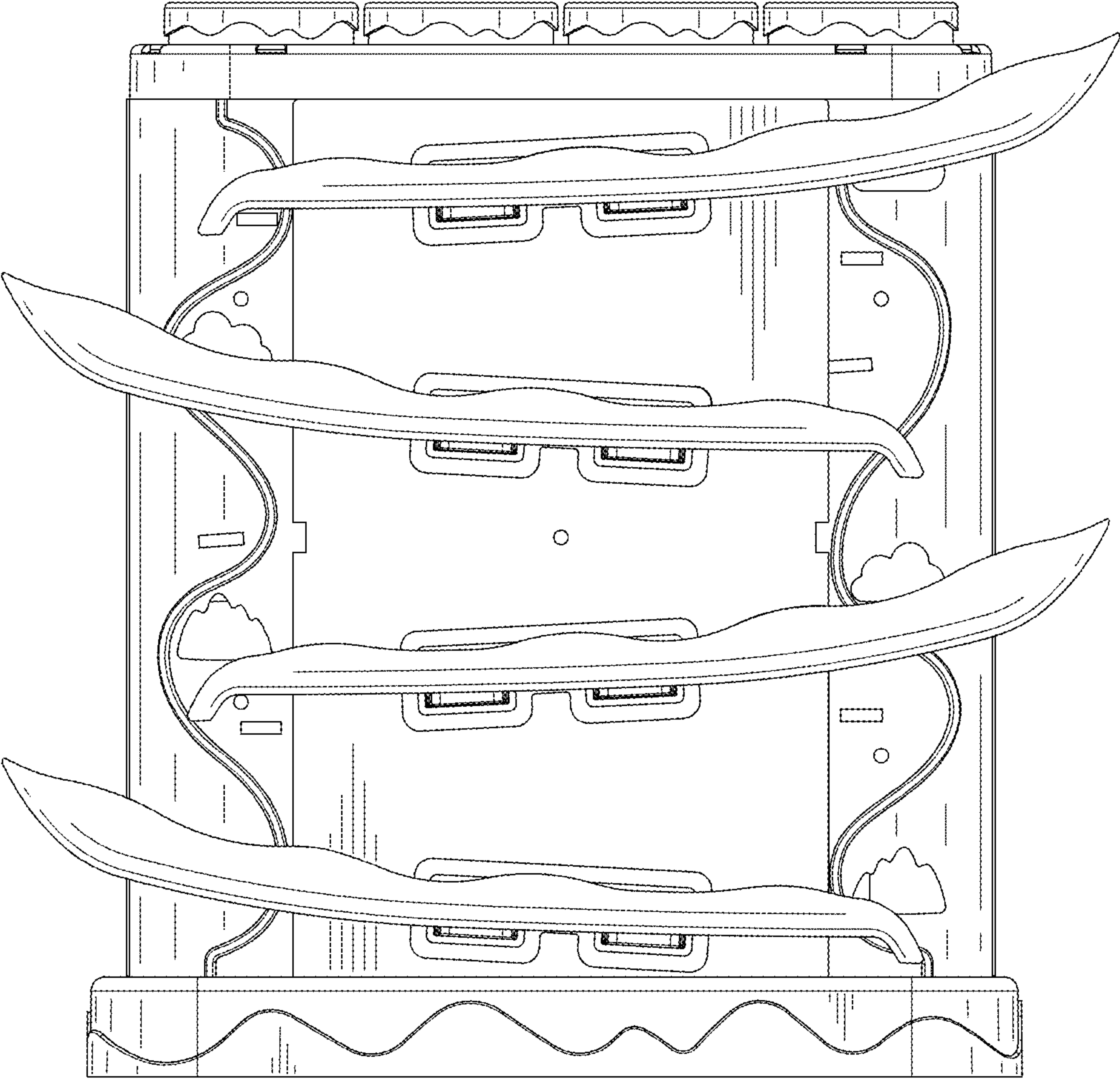


FIG. 4

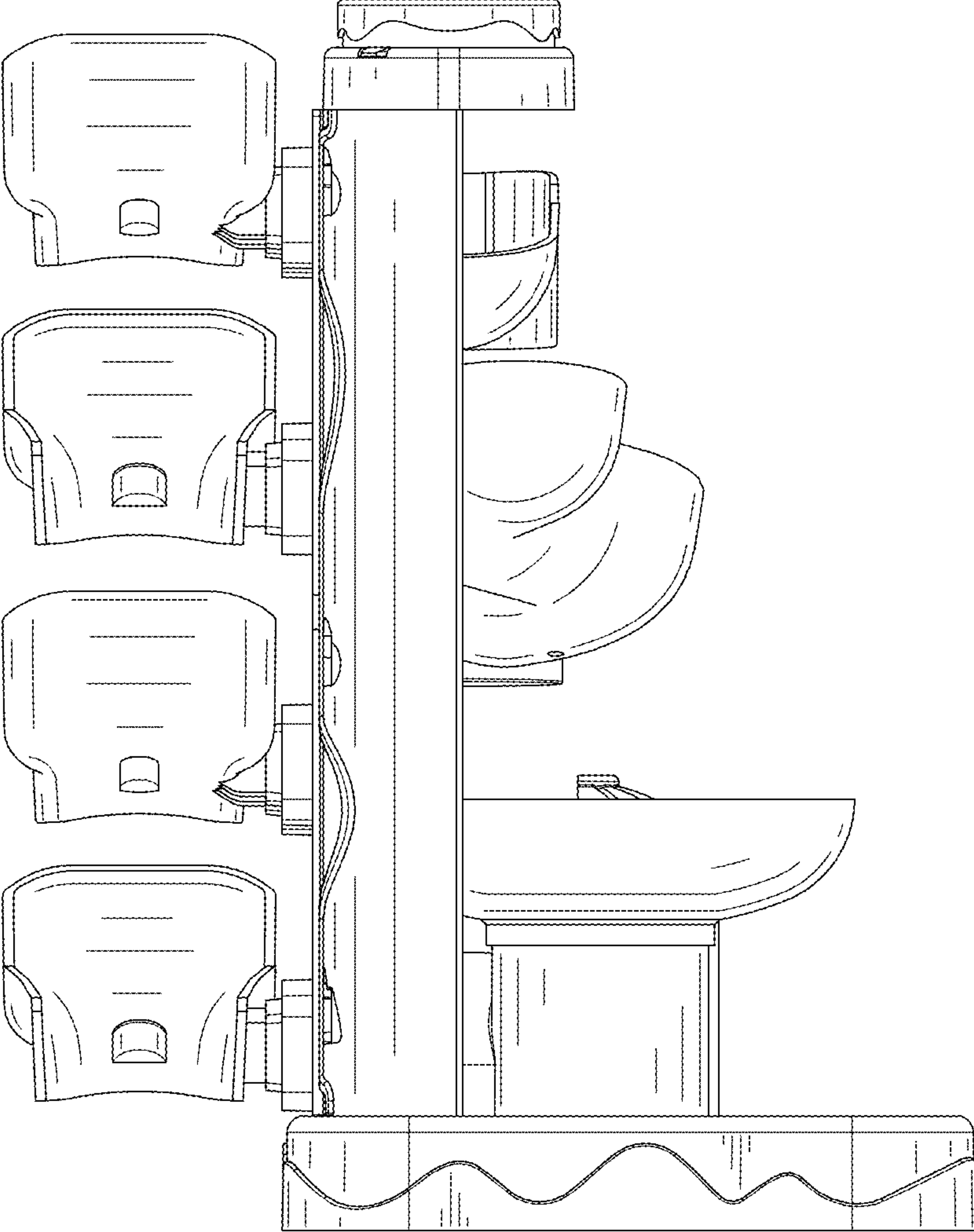


FIG.5

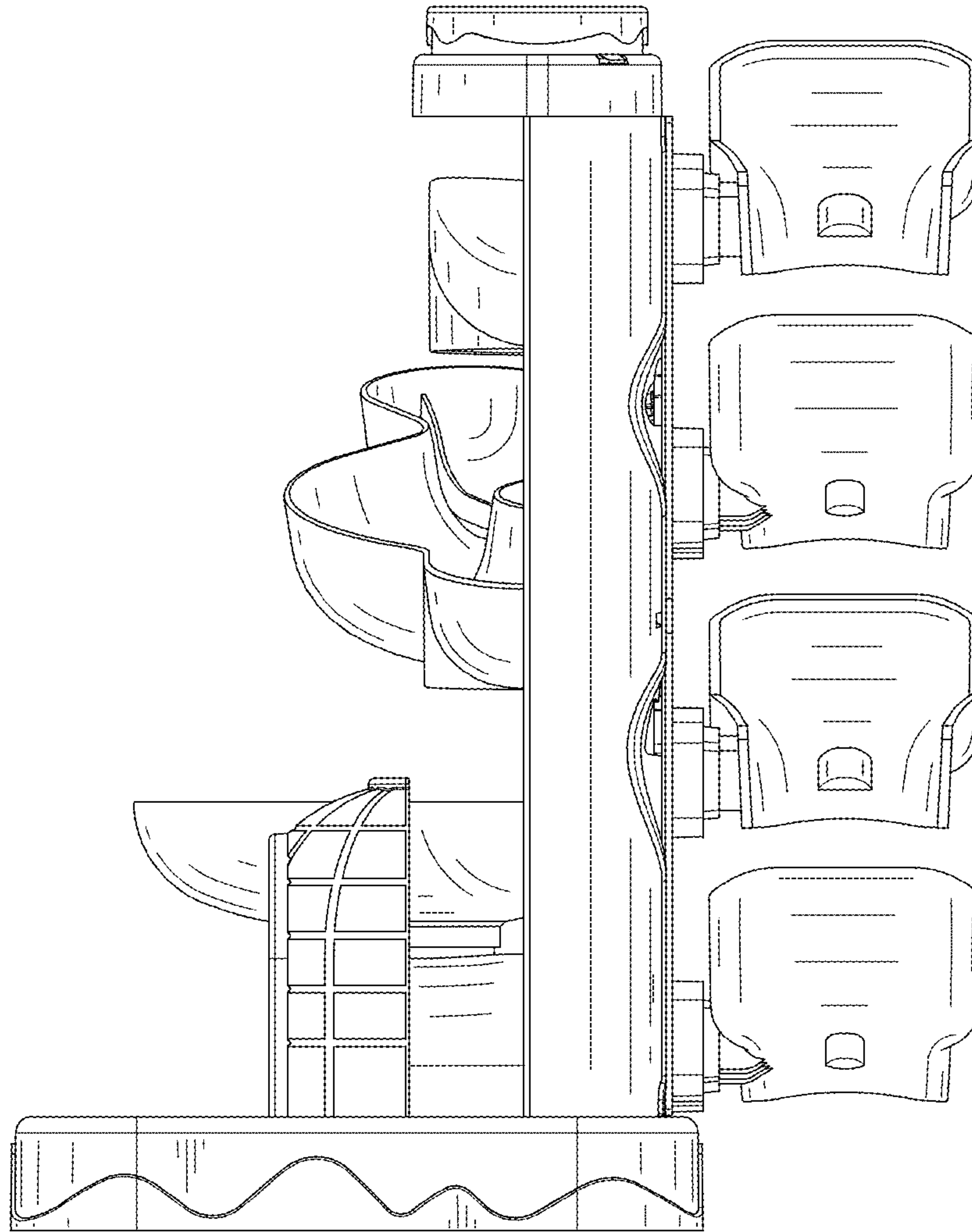


FIG. 6

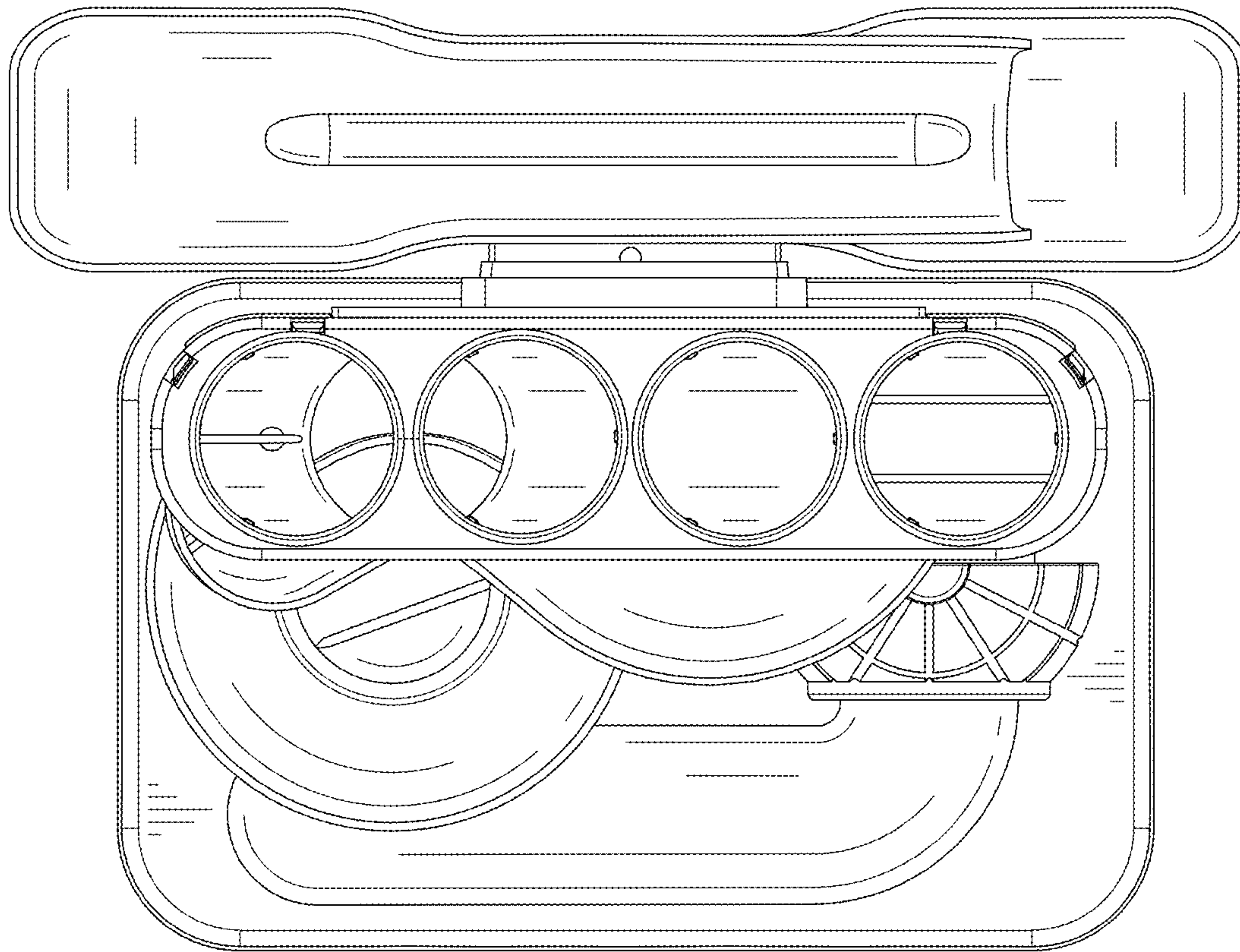


FIG. 7

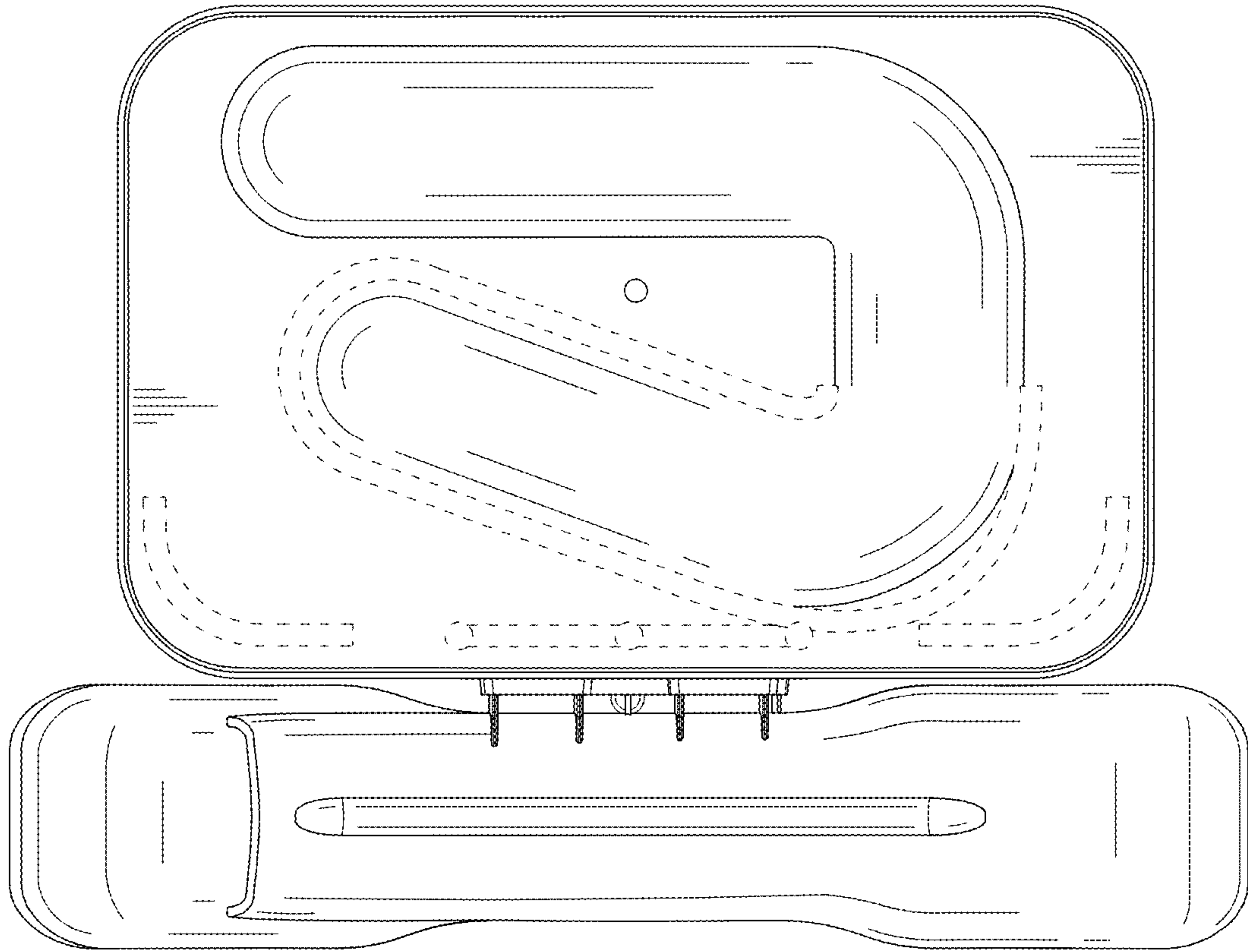


FIG. 8